



US00D724654S

(12) **United States Design Patent**
Labat

(10) **Patent No.:** **US D724,654 S**
(45) **Date of Patent:** **** Mar. 17, 2015**

- (54) **SHREDDER**
- (71) Applicant: **Fellowes, Inc.**, Itasca, IL (US)
- (72) Inventor: **Sebastien J. Labat**, Chicago, IL (US)
- (73) Assignee: **Fellowes, Inc.**, Itasca, IL (US)
- (**) Term: **14 Years**
- (21) Appl. No.: **29/461,025**
- (22) Filed: **Jul. 17, 2013**

Related U.S. Application Data

- (63) Continuation of application No. 29/383,316, filed on Jan. 14, 2011, now Pat. No. Des. 688,739.
- (51) **LOC (10) Cl.** **18-03**
- (52) **U.S. Cl.**
USPC **D18/34.5**
- (58) **Field of Classification Search**
USPC D18/34.3-34.9; D23/356, 359, 360,
D23/364; D34/9; 241/100, 236, 30, 36, 81,
241/25, 99
See application file for complete search history.

References Cited

U.S. PATENT DOCUMENTS

D583,859	S	*	12/2008	Holderfield et al.	D18/34.9
D598,048	S	*	8/2009	Holderfield et al.	D18/34.9
D604,763	S	*	11/2009	Holderfield et al.	D18/34.9
D647,129	S	*	10/2011	Kim et al.	D18/34.9
D647,952	S	*	11/2011	Sued et al.	D18/34.5
8,066,209	B2	*	11/2011	Abramson et al.	241/30
8,091,812	B2	*	1/2012	Abramson et al.	241/99
D660,346	S	*	5/2012	Kim et al.	D18/34.5
D660,907	S	*	5/2012	Wing et al.	D18/34.5
D662,577	S	*	6/2012	Nakamura et al.	D23/364

8,196,851	B2	*	6/2012	Aries et al.	241/225
8,336,794	B2	*	12/2012	Aries et al.	241/81
D673,665	S	*	1/2013	Langford et al.	D23/359
2010/0308139	A1	*	12/2010	Abramson et al.	241/25
2011/0253819	A1	*	10/2011	Aries et al.	241/100
2012/0024991	A1	*	2/2012	Pilch et al.	241/25
2012/0111979	A1	*	5/2012	Jensen et al.	241/25

OTHER PUBLICATIONS

“The Shredder”.*

* cited by examiner

Primary Examiner — Ian Simmons

Assistant Examiner — Charles Hanson

(74) *Attorney, Agent, or Firm* — Pillsbury Winthrop Shaw Pittman LLP

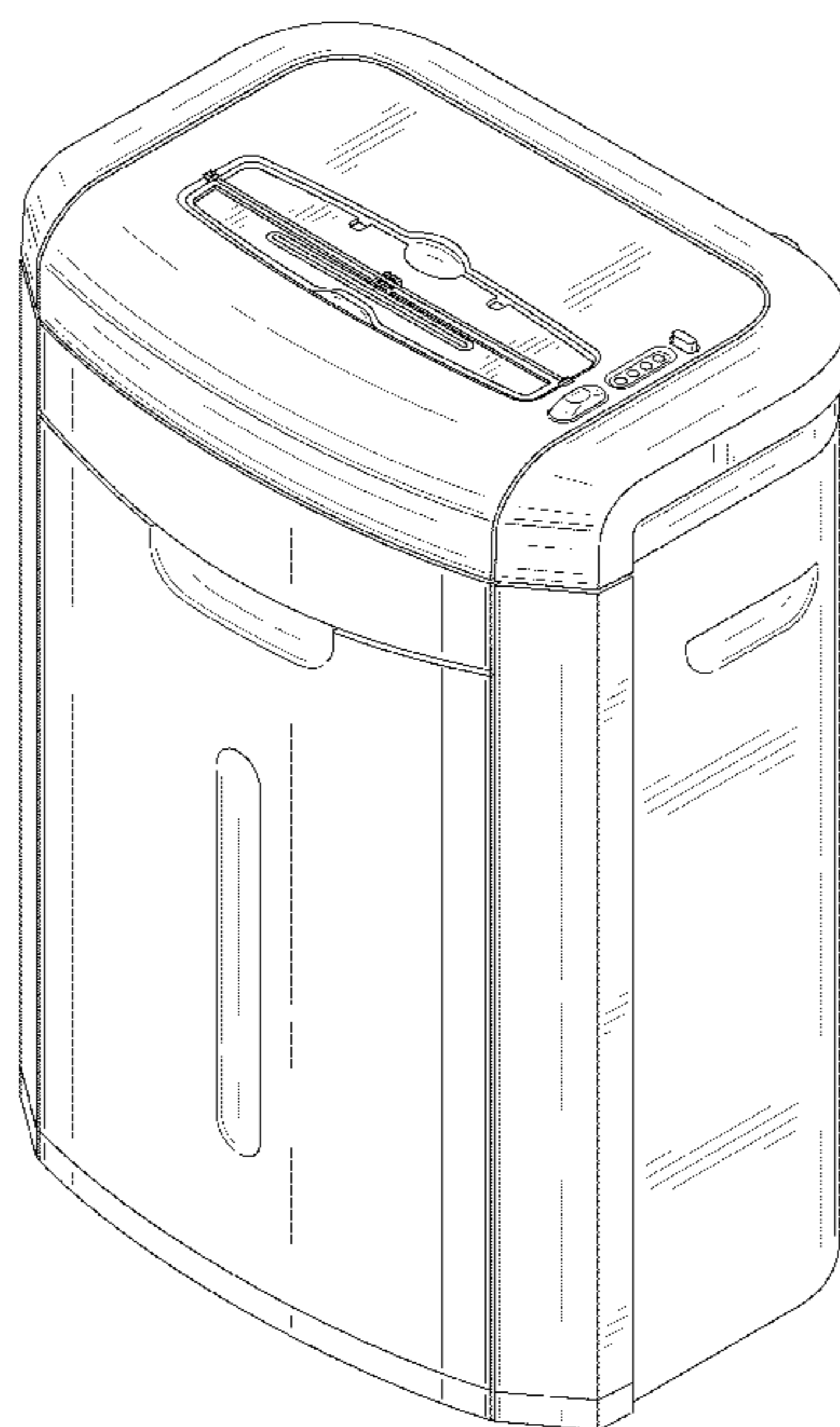
(57) **CLAIM**

The ornamental design for a shredder, as shown and described.

DESCRIPTION

FIG. 1 is a top perspective view of a shredder according to my design;
 FIG. 2 is a front view of the shredder;
 FIG. 3 is a back view of the shredder;
 FIG. 4 is a right side view of the shredder;
 FIG. 5 is a left side view of the shredder;
 FIG. 6 is a top view of the shredder;
 FIG. 7 is a bottom view of the shredder; and,
 FIG. 8 is a bottom perspective view of the shredder.
 Any broken lines shown are included for the purpose of illustrating the environment of the design and form no part of the claimed design.

1 Claim, 8 Drawing Sheets



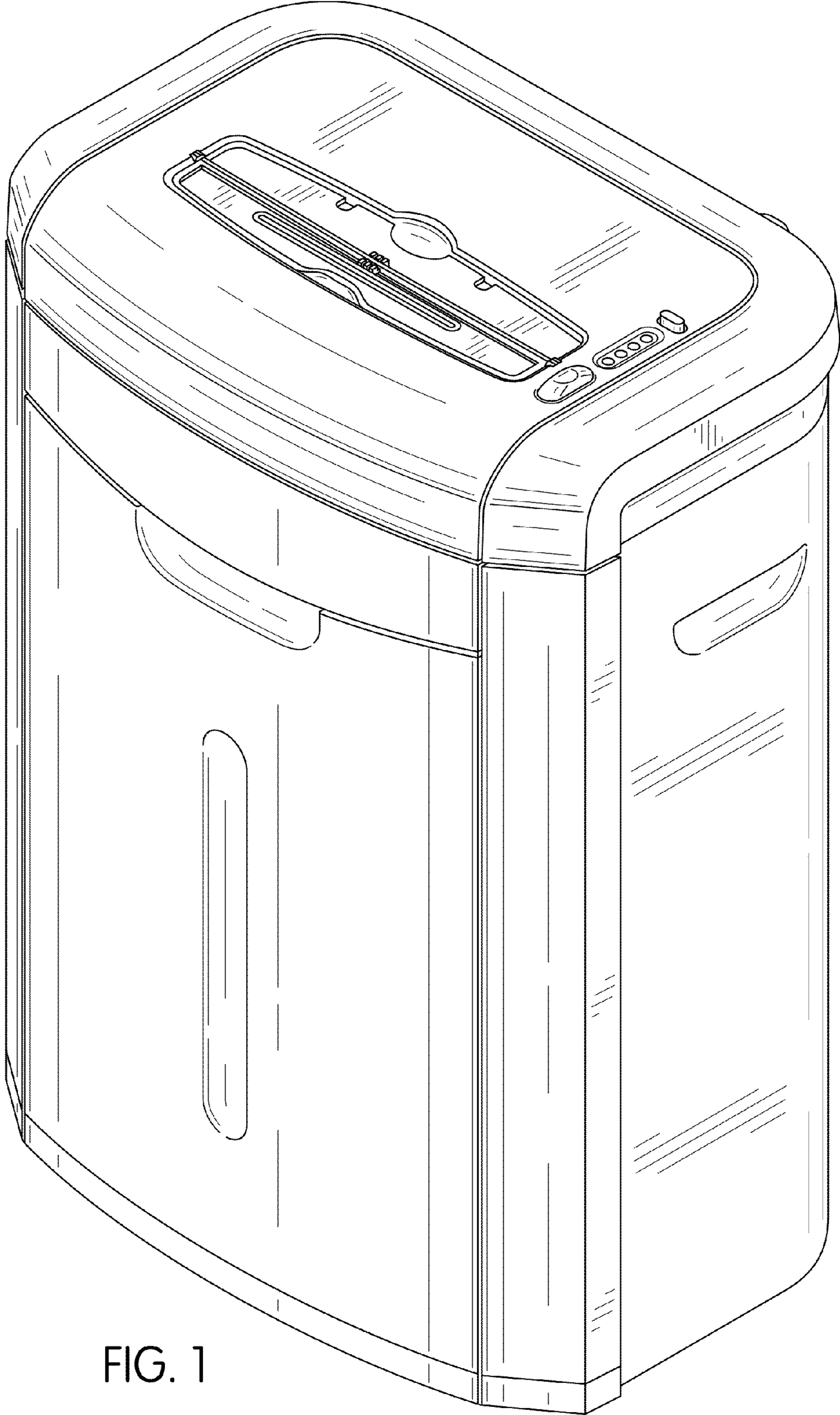


FIG. 1

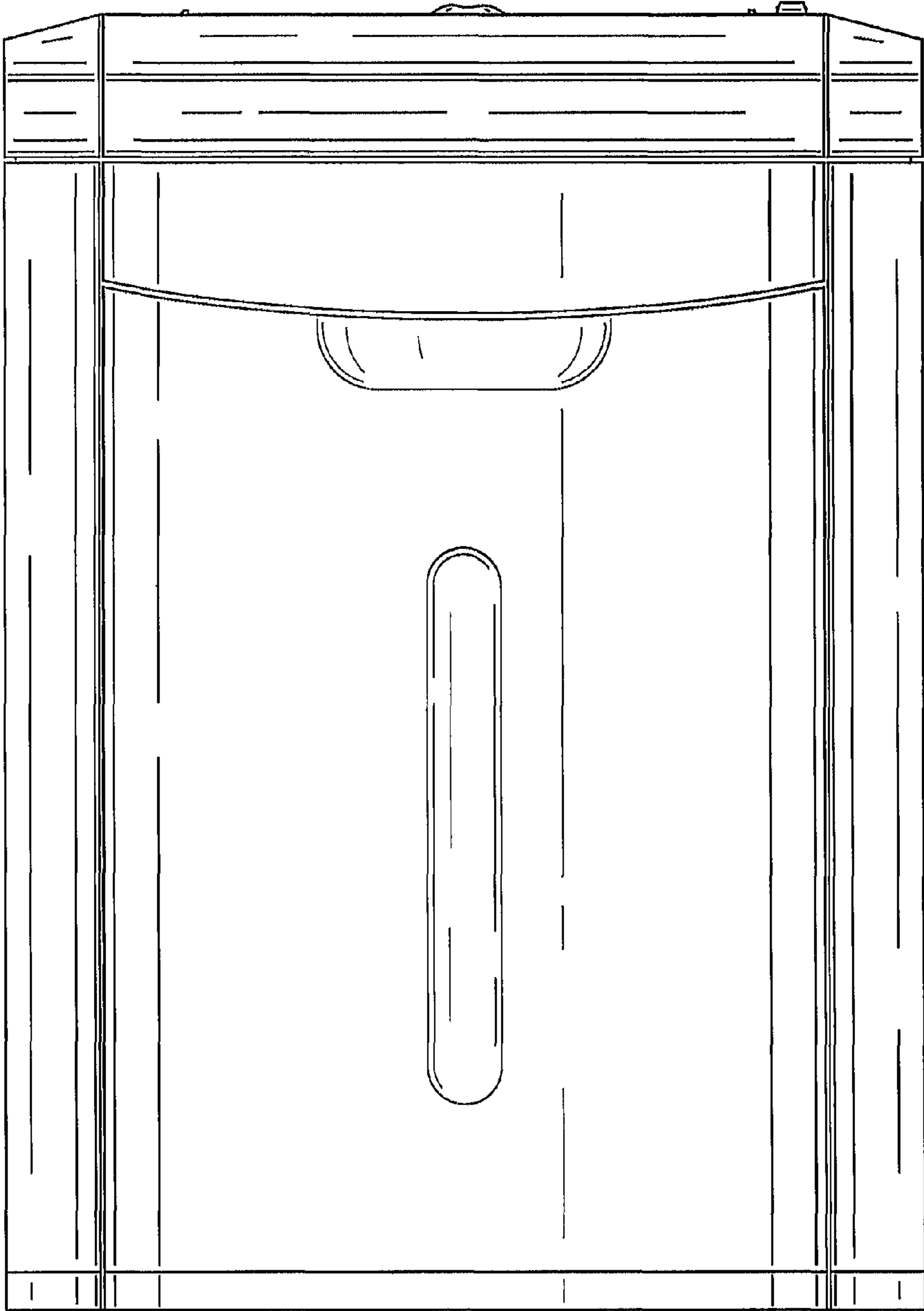


FIG. 2

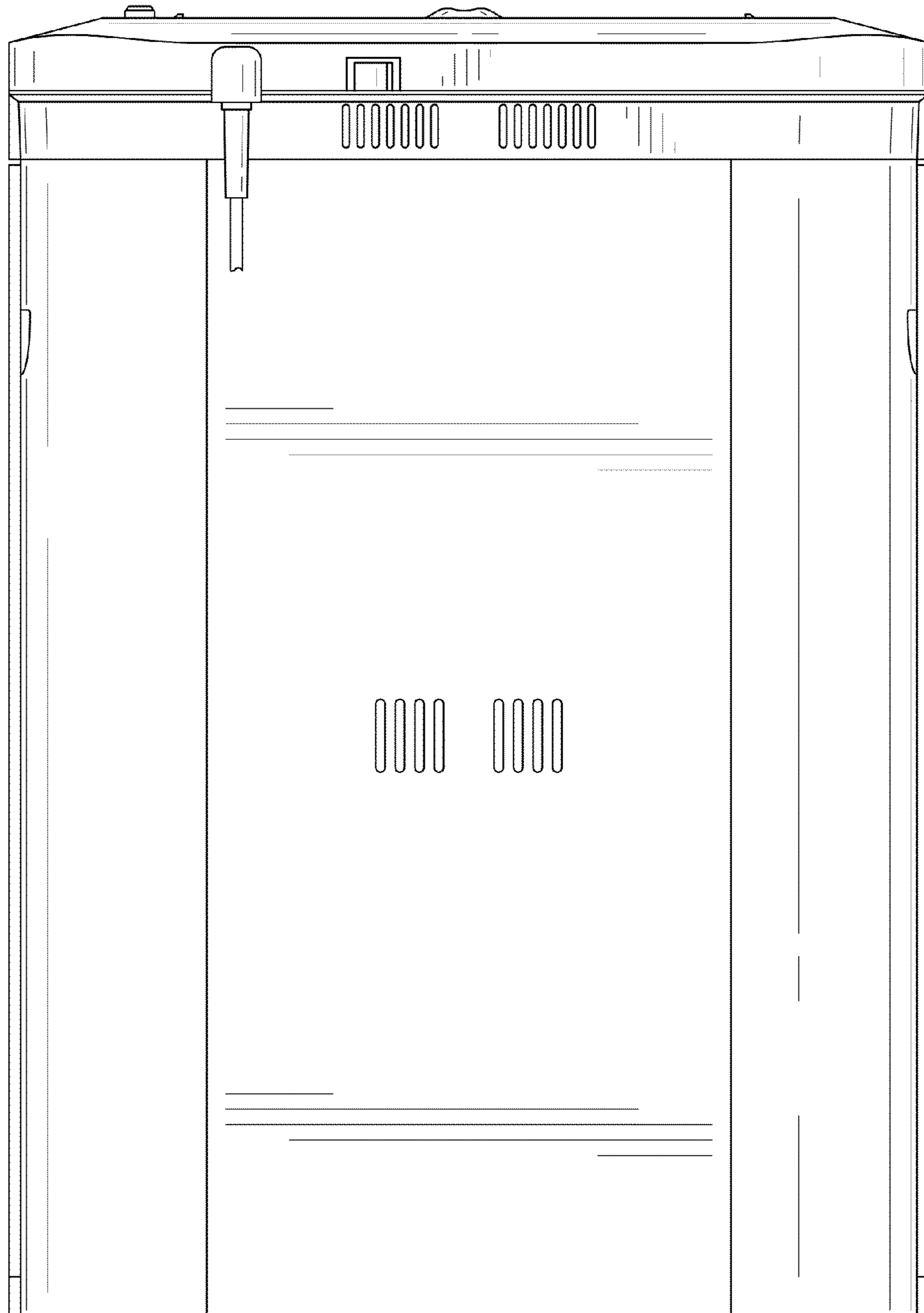


FIG. 3

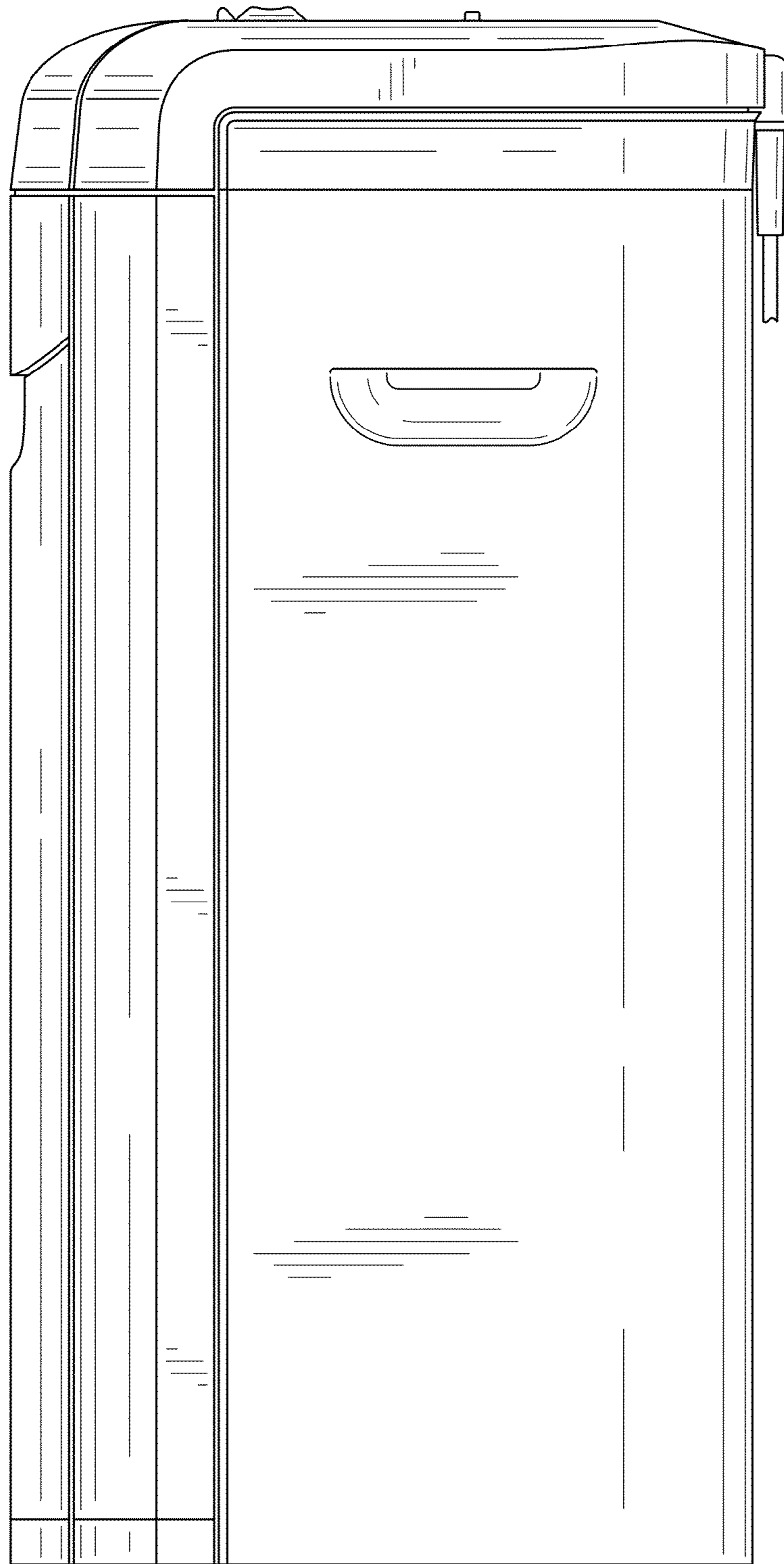


FIG. 4

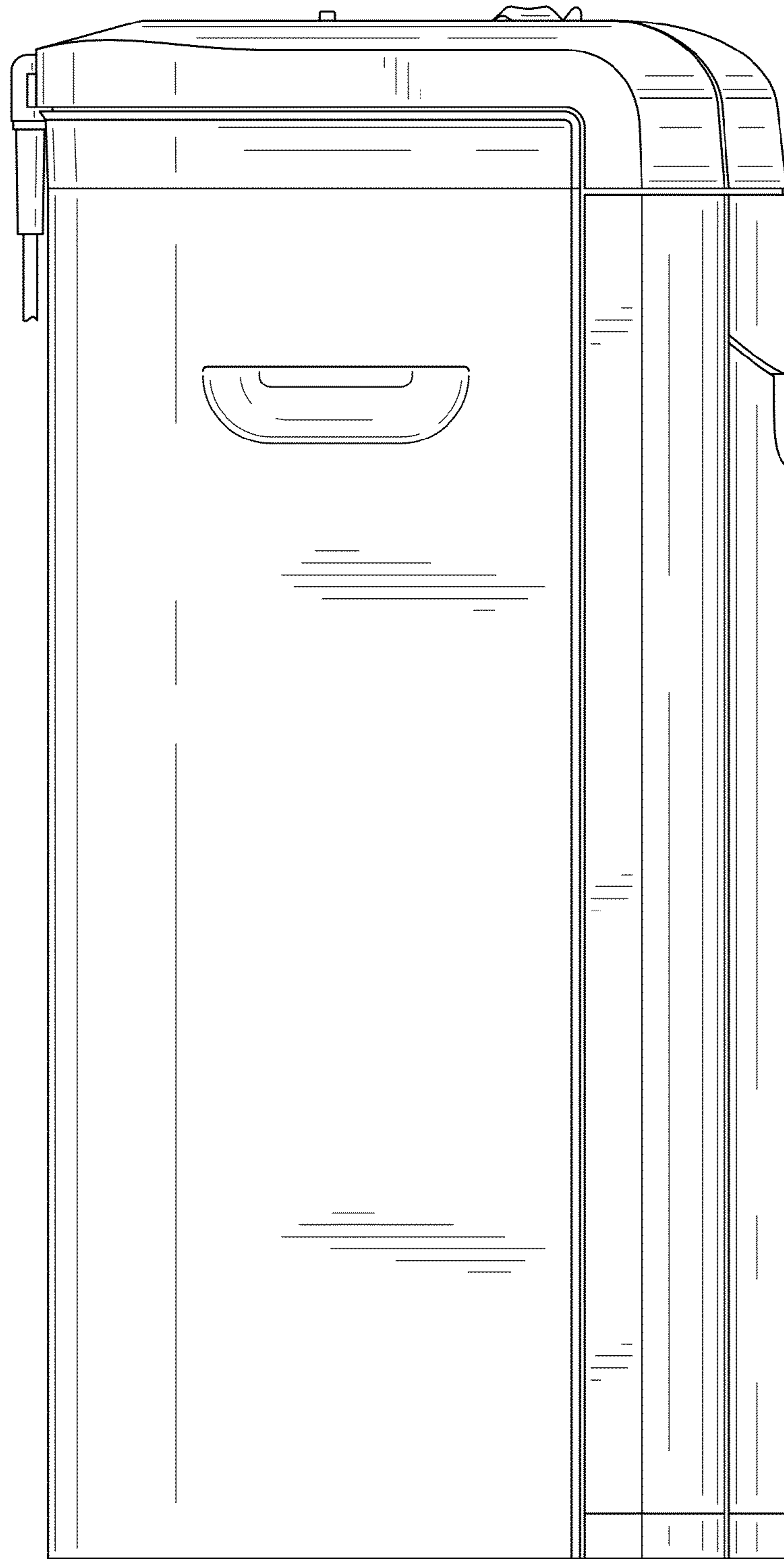


FIG. 5

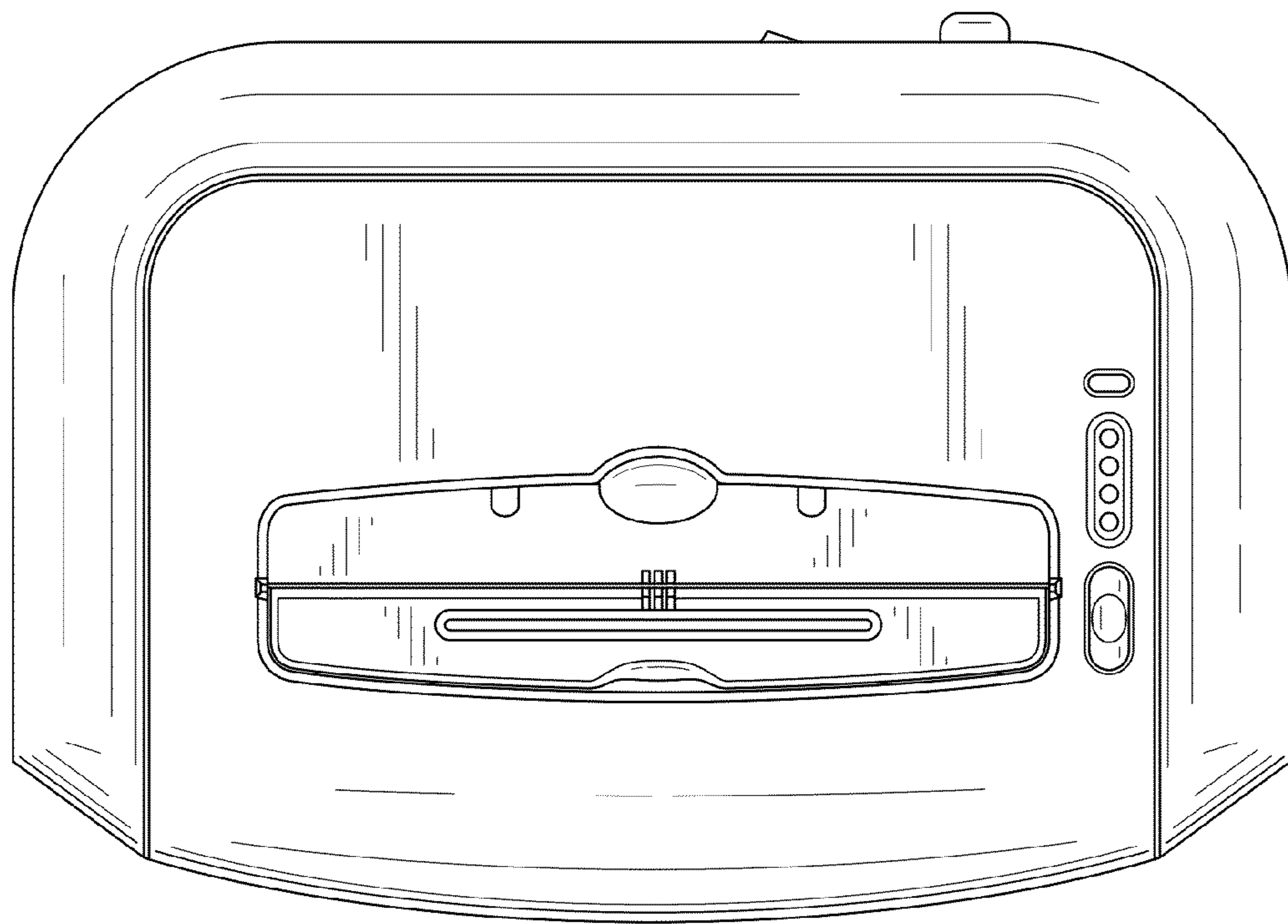


FIG. 6

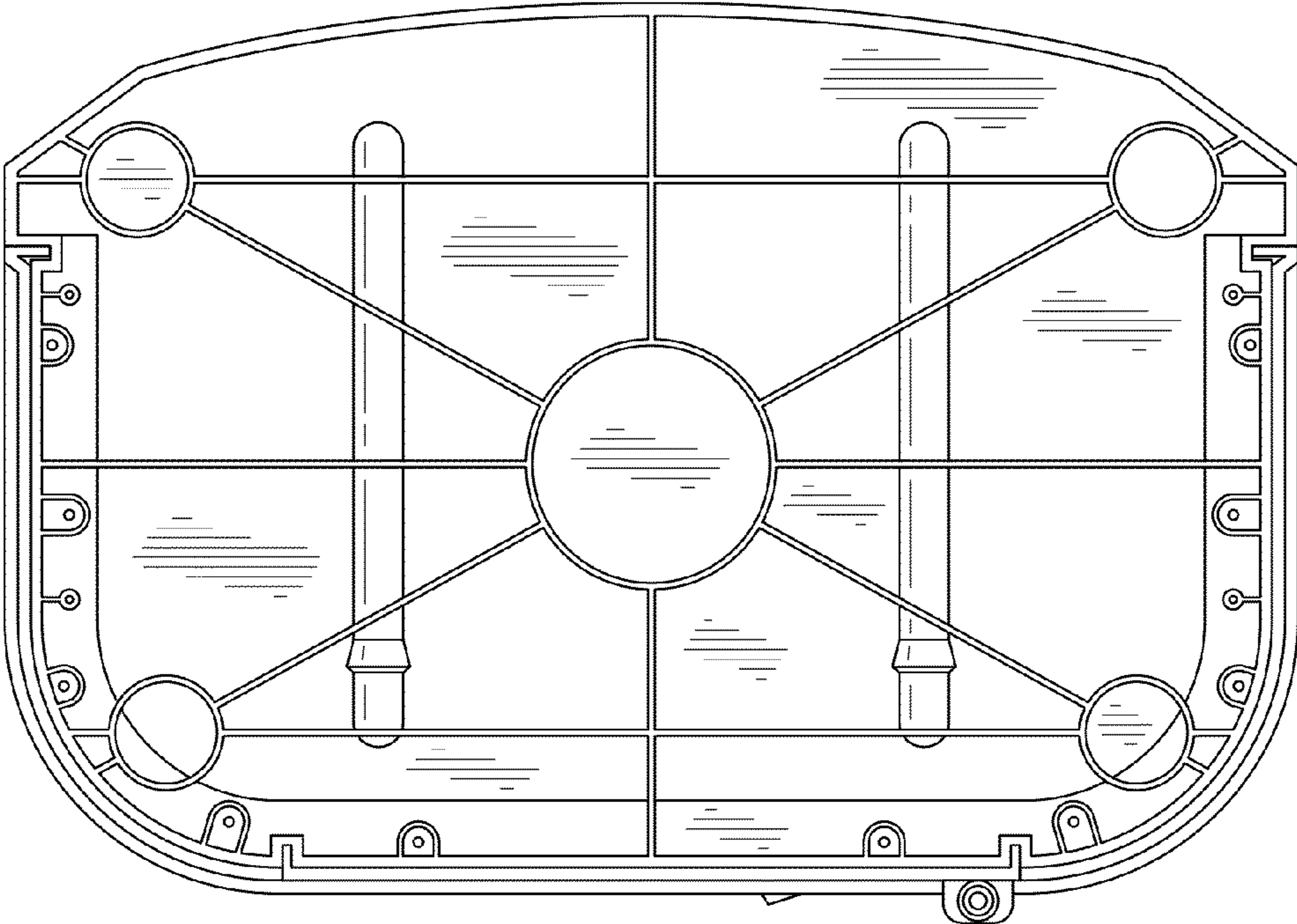


FIG. 7

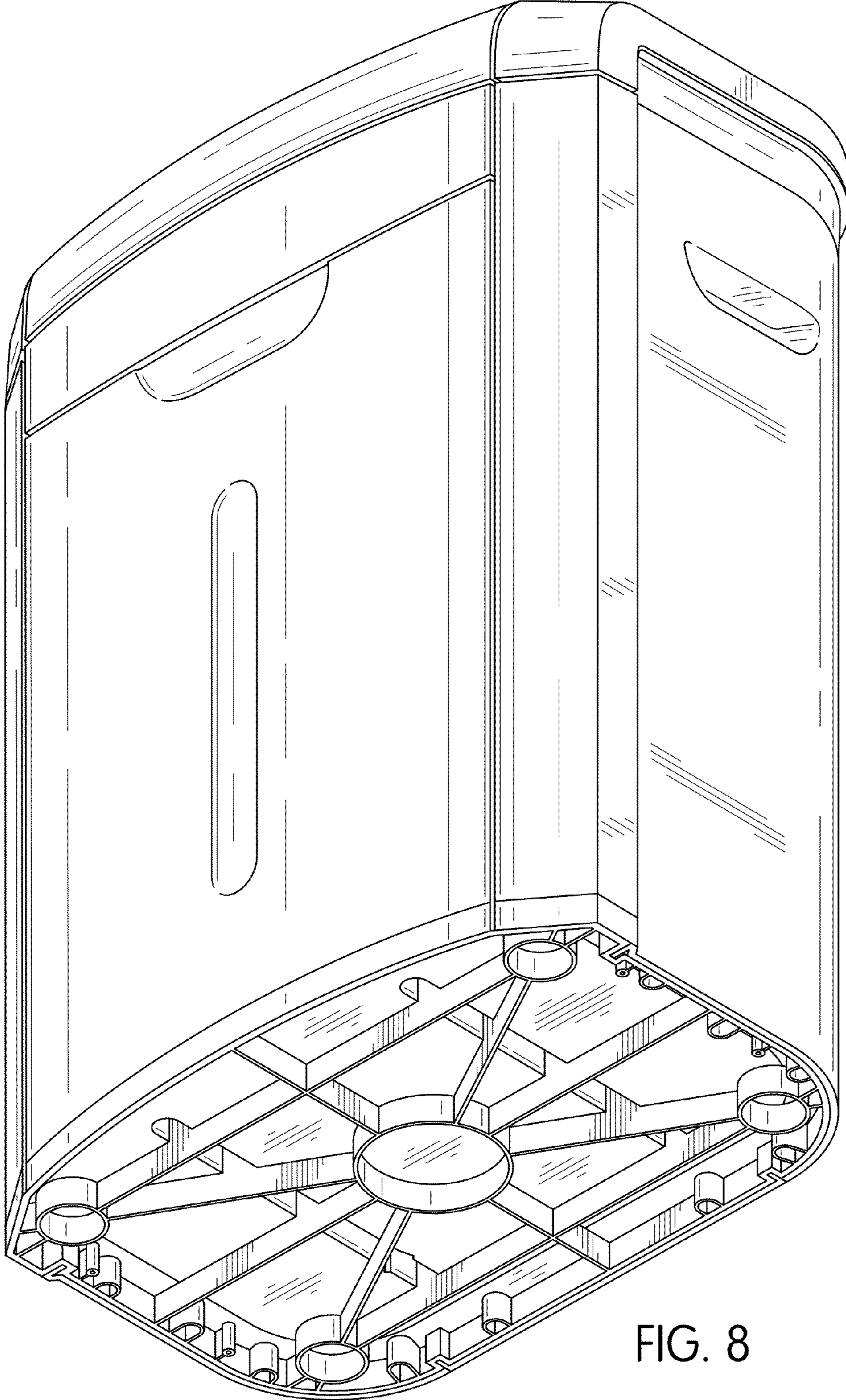


FIG. 8