



US00D724653S

(12) **United States Design Patent**  
**Azuma**

(10) **Patent No.:** **US D724,653 S**  
(45) **Date of Patent:** **\*\* Mar. 17, 2015**

(54) **PERSONAL DIGITAL ASSISTANT WITH A PAYMENT DEVICE**

(71) Applicant: **Yoshihiro Azuma**, Tokyo (JP)

(72) Inventor: **Yoshihiro Azuma**, Tokyo (JP)

(\*\*) Term: **14 Years**

(21) Appl. No.: **29/475,156**

(22) Filed: **Nov. 29, 2013**

(30) **Foreign Application Priority Data**

May 31, 2013 (JP) ..... 2013-012289

(51) **LOC (10) Cl.** ..... **18-01**

(52) **U.S. Cl.**  
USPC ..... **D18/4.4**; D14/341

(58) **Field of Classification Search**  
USPC ..... D18/3.1-4.6, 6-8, 11, 12, 12.1-12.3;  
D14/371, 373-376, 382, 385-387, 394,  
D14/399; D21/324, 329, 332, 333; D99/28,  
D99/34-36, 43; 235/375, 380, 439, 441,  
235/449, 451, 492; 361/600, 679.01,  
361/679.02, 679.31

See application file for complete search history.

(56) **References Cited**

**U.S. PATENT DOCUMENTS**

D409,650	S	*	5/1999	Hanna et al.	.....	D18/4.6
D472,898	S	*	4/2003	Adams	.....	D14/387
D493,816	S	*	8/2004	Butler	.....	D18/4.6
D543,588	S	*	5/2007	Herbert et al.	.....	D20/8
D624,114	S	*	9/2010	Ausems et al.	.....	D18/4.6
D624,115	S	*	9/2010	Ausems et al.	.....	D18/4.6
D678,935	S	*	3/2013	Wesolek	.....	D18/4.4
D681,639	S	*	5/2013	Cruz et al.	.....	D14/385
D686,654	S	*	7/2013	Kim et al.	.....	D18/4.6

D698,384	S	*	1/2014	Cruz	.....	D18/4.4
D704,255	S	*	5/2014	Schwarzkopf et al.	.....	D18/4.4
D707,676	S	*	6/2014	Azuma	.....	D14/385
D707,677	S	*	6/2014	Azuma	.....	D14/385
D707,678	S	*	6/2014	Azuma	.....	D14/385
D709,069	S	*	7/2014	Cruz et al.	.....	D14/385
2012/0145787	A1	*	6/2012	Lin	.....	235/439
2014/0144988	A1	*	5/2014	Chiang	.....	235/449

\* cited by examiner

*Primary Examiner* — Eric Goodman

*Assistant Examiner* — Amy Wierenga

(74) *Attorney, Agent, or Firm* — Muncy, Geissler, Olds & Lowe, P.C.

(57) **CLAIM**

The ornamental design for a personal digital assistant with a payment device, as shown and described.

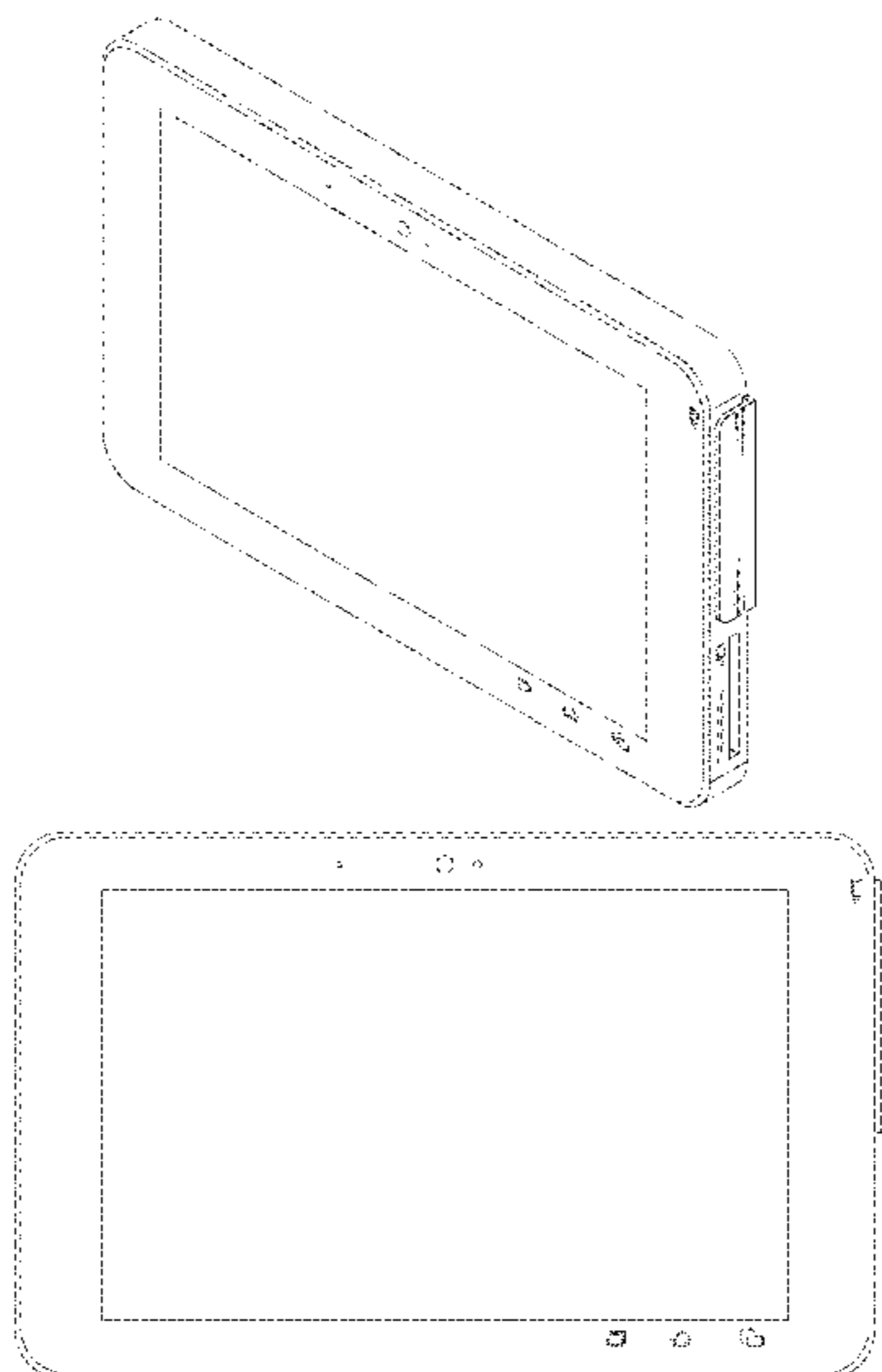
**DESCRIPTION**

FIG. 1 is a perspective view of a personal digital assistant with a payment device showing my new design;  
FIG. 2 is a front elevational view thereof;  
FIG. 3 is a right side view thereof;  
FIG. 4 is a left side view thereof;  
FIG. 5 is a top plan view thereof;  
FIG. 6 is a bottom plan view thereof;  
FIG. 7 is a rear elevational view thereof;  
FIG. 8 is a perspective view thereof, shown in use with a magnetic card; and,  
FIG. 9 is a perspective view thereof, shown in use with an IC card.

The broken line showing is included for the purpose of illustrating environment structure and forms no part of the claimed design.

The dash-dot-dash-dot type broken lines define the boundaries of the claimed design.

**1 Claim, 9 Drawing Sheets**



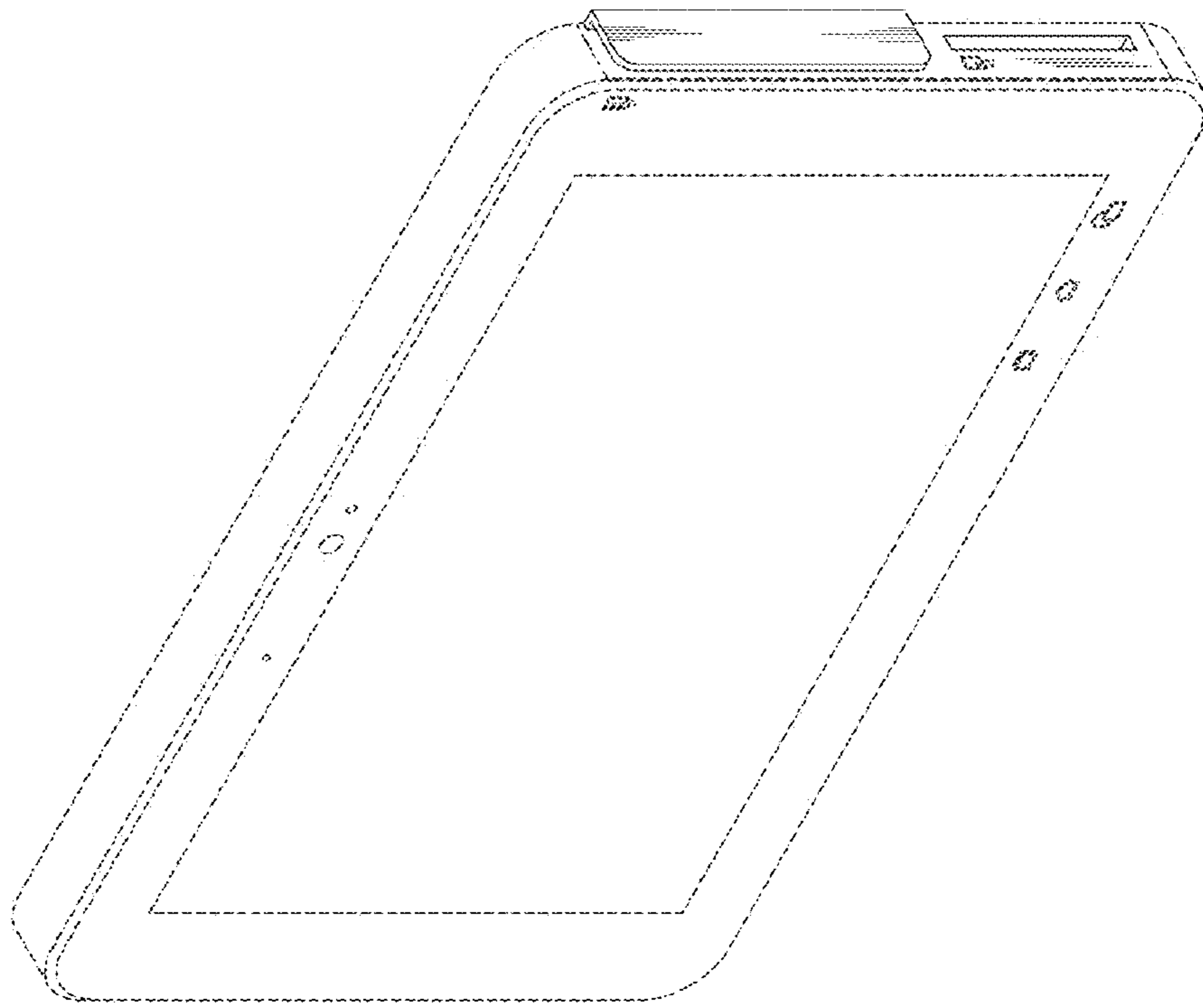


FIG. 1

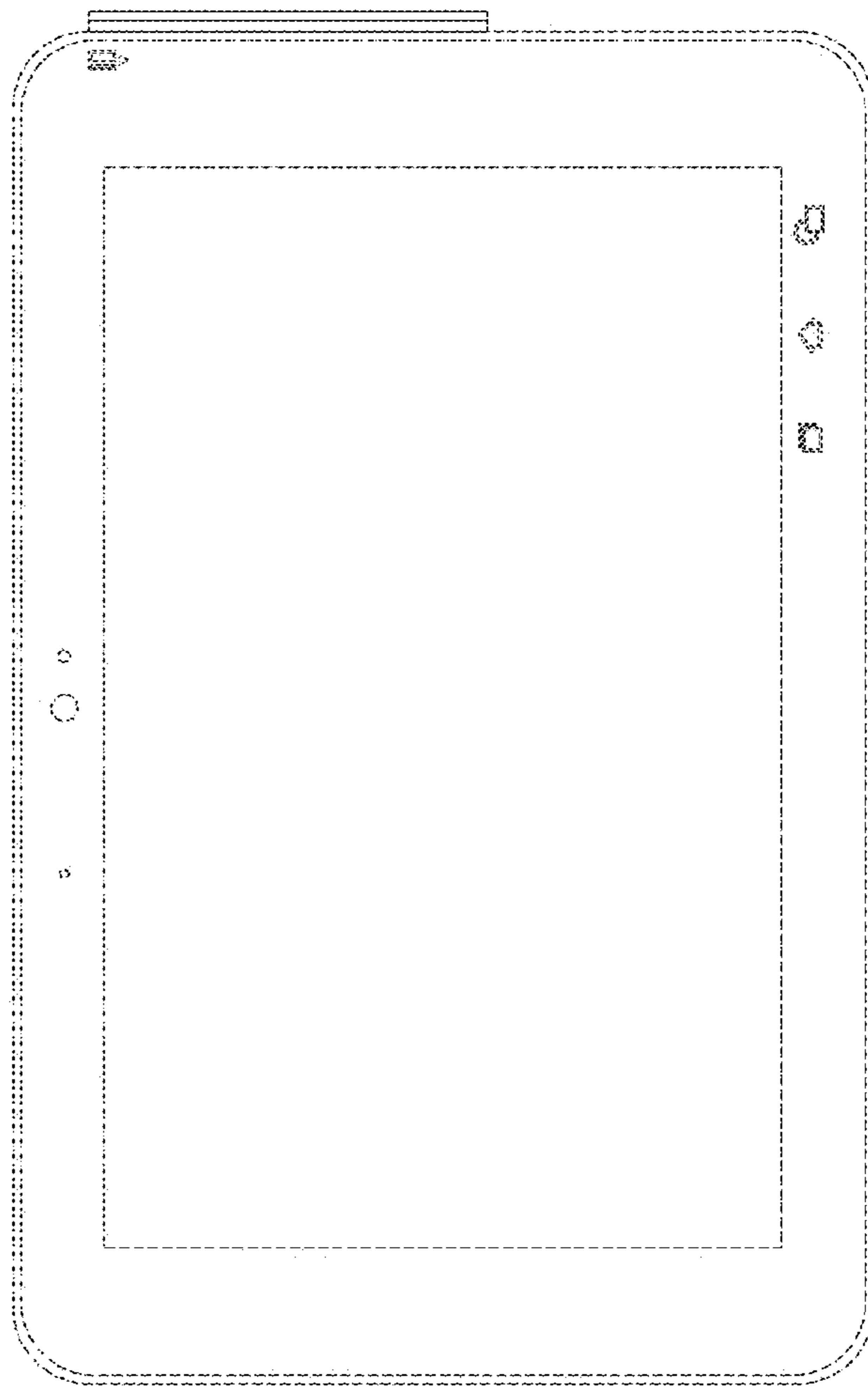


FIG.2

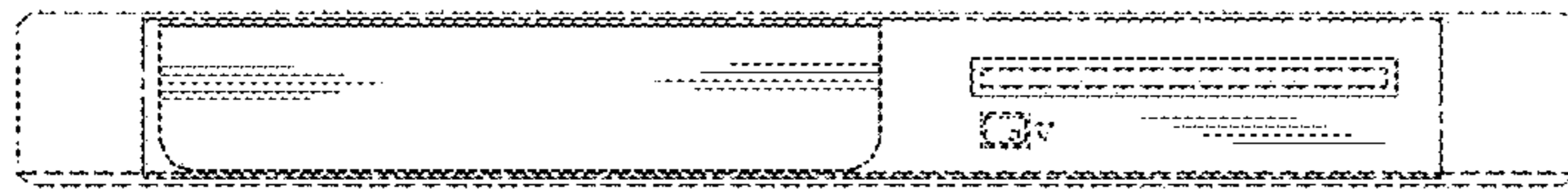


FIG. 3



**FIG.4**

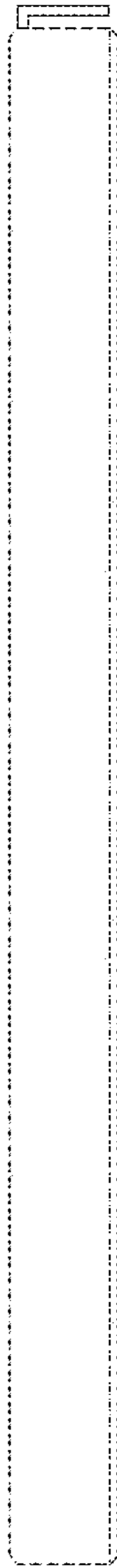


FIG.5

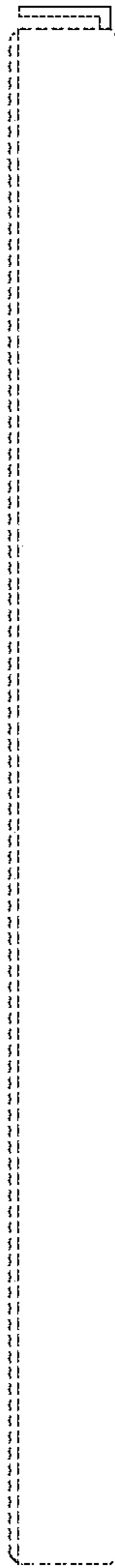


FIG.6



FIG. 7



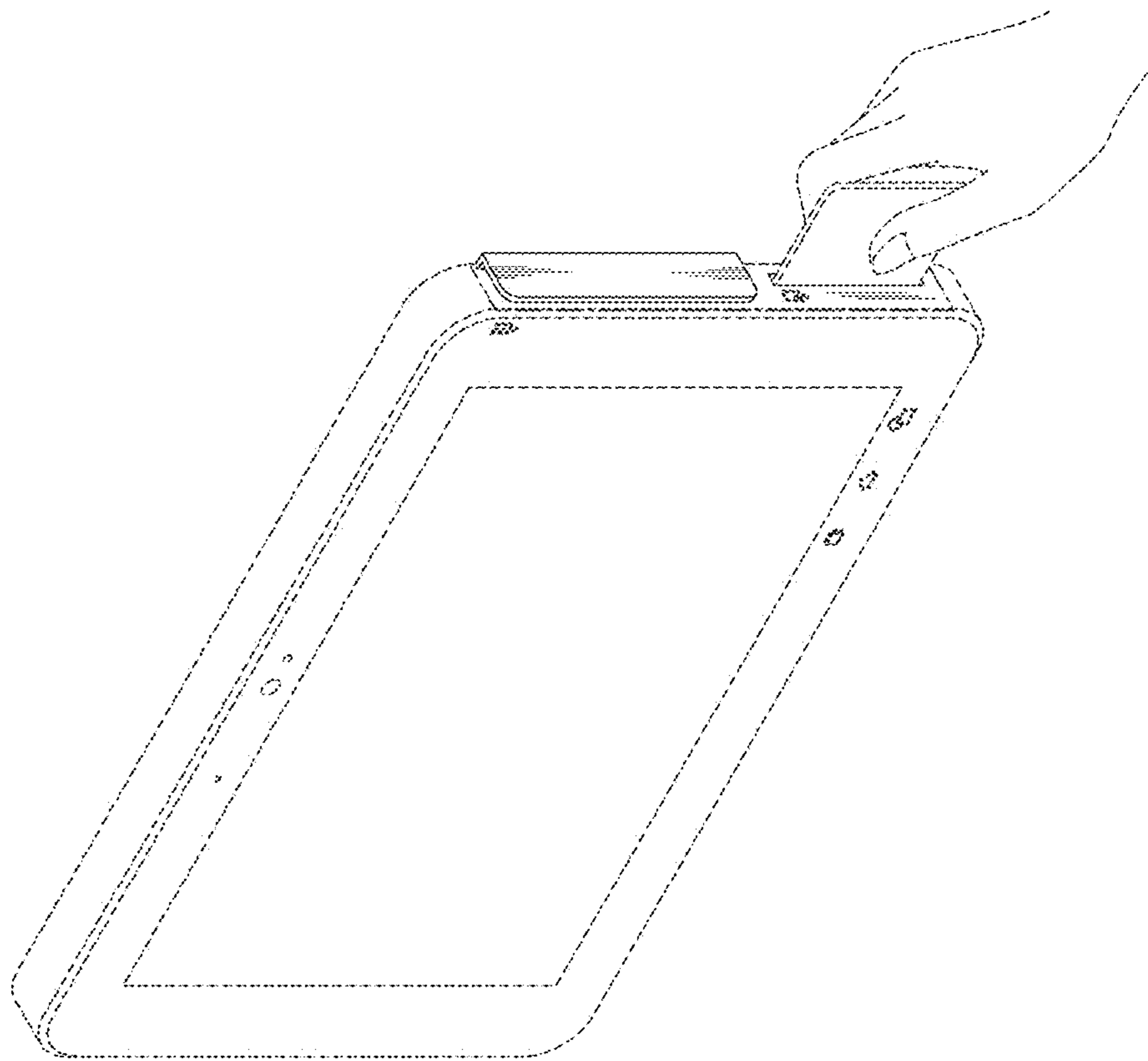


FIG. 8

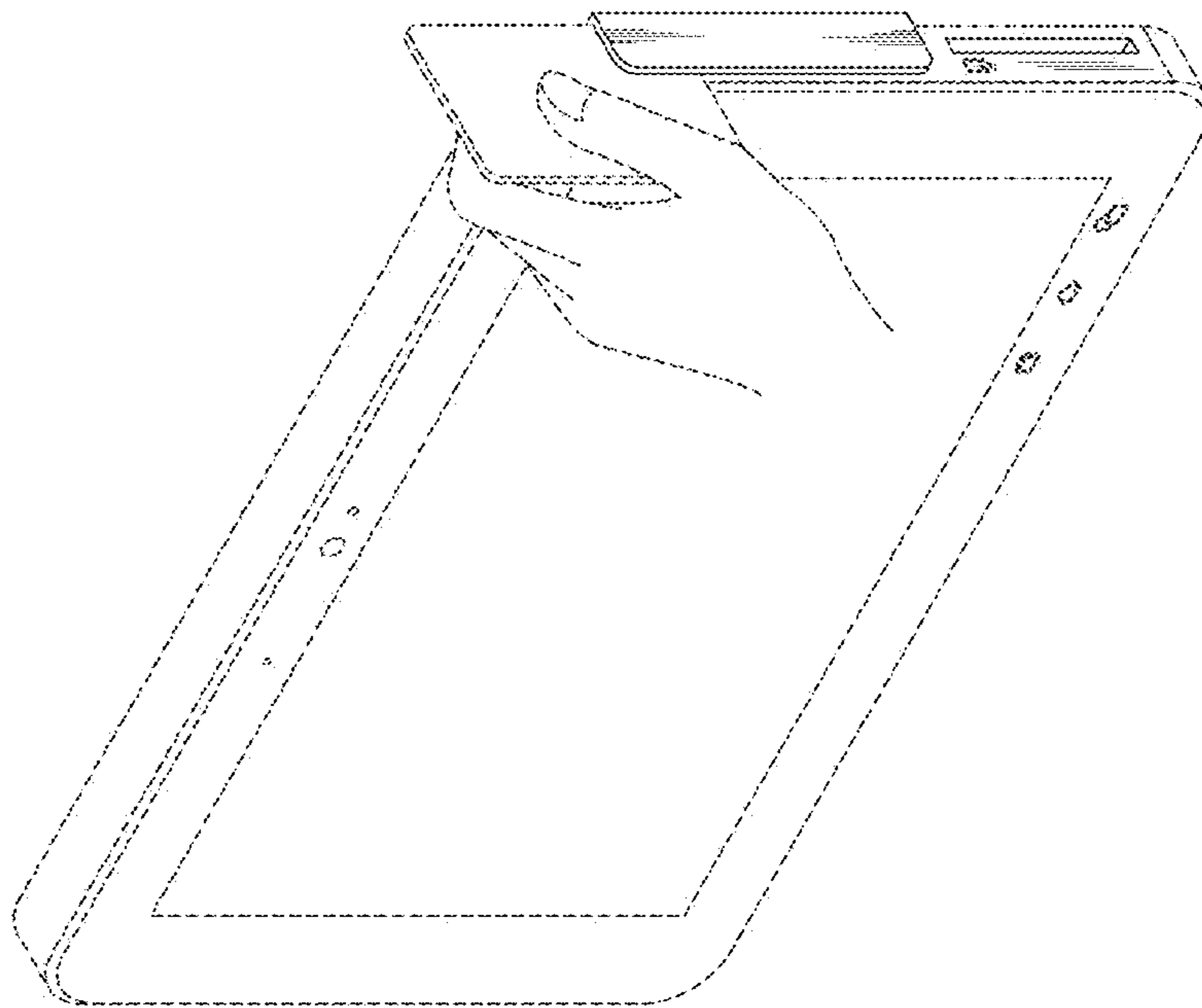


FIG.9