



US00D724646S

(12) **United States Design Patent**  
**Dordick**

(10) **Patent No.:** **US D724,646 S**

(45) **Date of Patent:** **\*\* Mar. 17, 2015**

(54) **CAMERA MOUNT**

(76) **Inventor:** **Scott David Dordick**, La Verne, CA  
(US)

(\*\*) **Term:** **14 Years**

(21) **Appl. No.:** **29/421,305**

(22) **Filed:** **Jun. 29, 2012**

(51) **LOC (10) Cl.** ..... **16-05**

(52) **U.S. Cl.**  
USPC ..... **D16/242**

(58) **Field of Classification Search**  
CPC ..... G03B 17/56  
USPC ..... D16/237, 239, 240, 242-245, 250;  
248/161, 176.1, 176.3, 177.1, 185.1,  
248/187.1; 352/243; 396/218, 419, 420,  
396/422, 423, 425, 428  
See application file for complete search history.

(56) **References Cited**

**U.S. PATENT DOCUMENTS**

D483,789 S \* 12/2003 Dordick ..... D16/245  
7,077,582 B2 \* 7/2006 Johnson ..... 396/428  
D564,567 S \* 3/2008 Dordick ..... D16/242  
D591,325 S \* 4/2009 Dordick ..... D16/242

D602,974 S \* 10/2009 Zen ..... D16/245  
D653,692 S \* 2/2012 Dordick ..... D16/242  
D656,533 S \* 3/2012 Dordick ..... D16/242  
2006/0175482 A1 \* 8/2006 Johnson ..... 248/176.1

\* cited by examiner

*Primary Examiner* — Ian Simmons

*Assistant Examiner* — Leanne Was

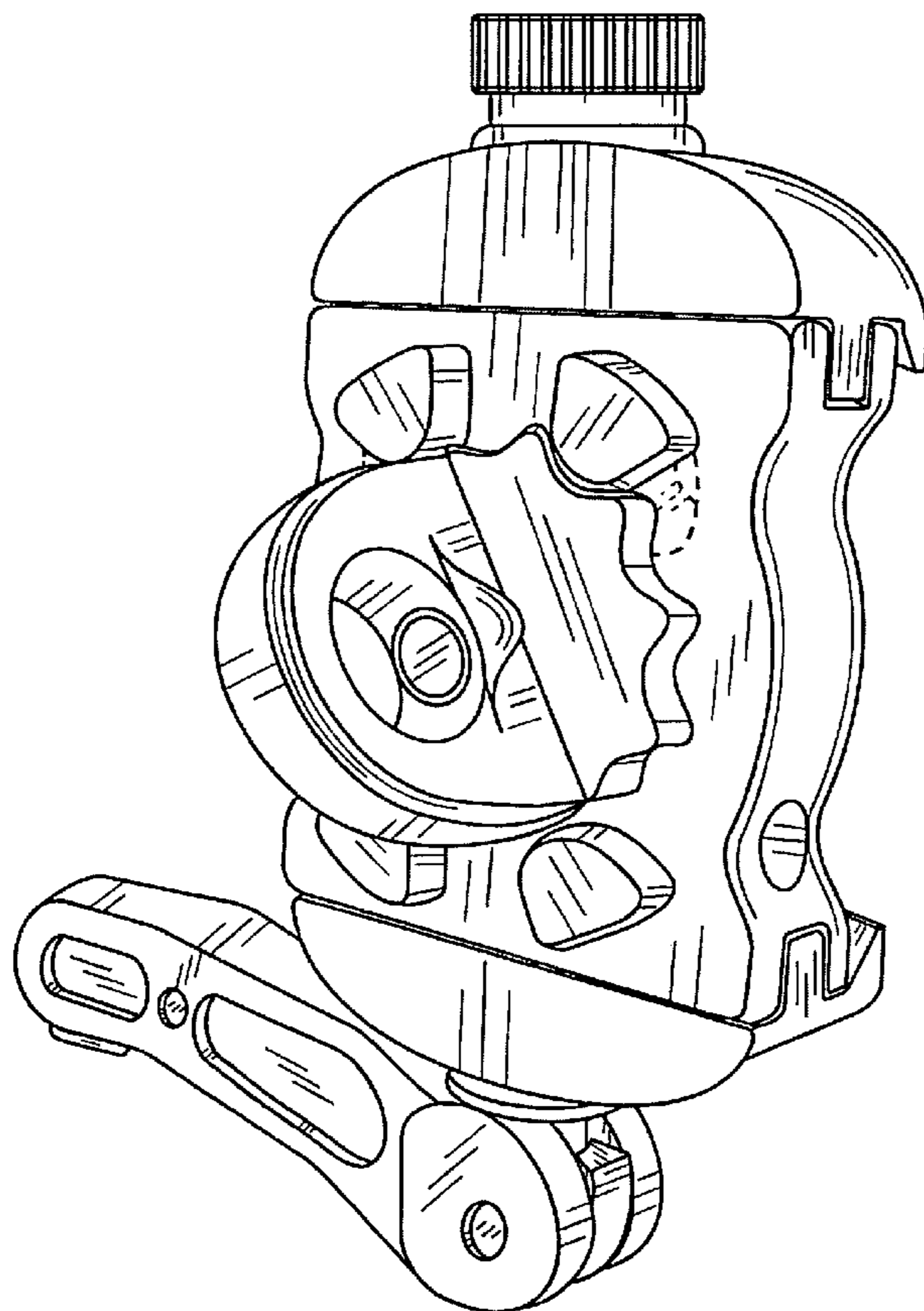
(57) **CLAIM**

I claim the ornamental design for a camera mount, as shown and described.

**DESCRIPTION**

FIG. 1 is a bottom perspective view of a camera mount showing my new design;  
FIG. 2 is a top perspective view thereof;  
FIG. 3 is a top plan view thereof;  
FIG. 4 is a bottom plan view thereof;  
FIG. 5 is a left elevation view thereof;  
FIG. 6 is a right elevation view thereof;  
FIG. 7 is a rear elevation view thereof; and,  
FIG. 8 is a front elevation view thereof.  
All broken line areas depict unclaimed portions of the camera mount only and form no part of the claimed design.

**1 Claim, 7 Drawing Sheets**



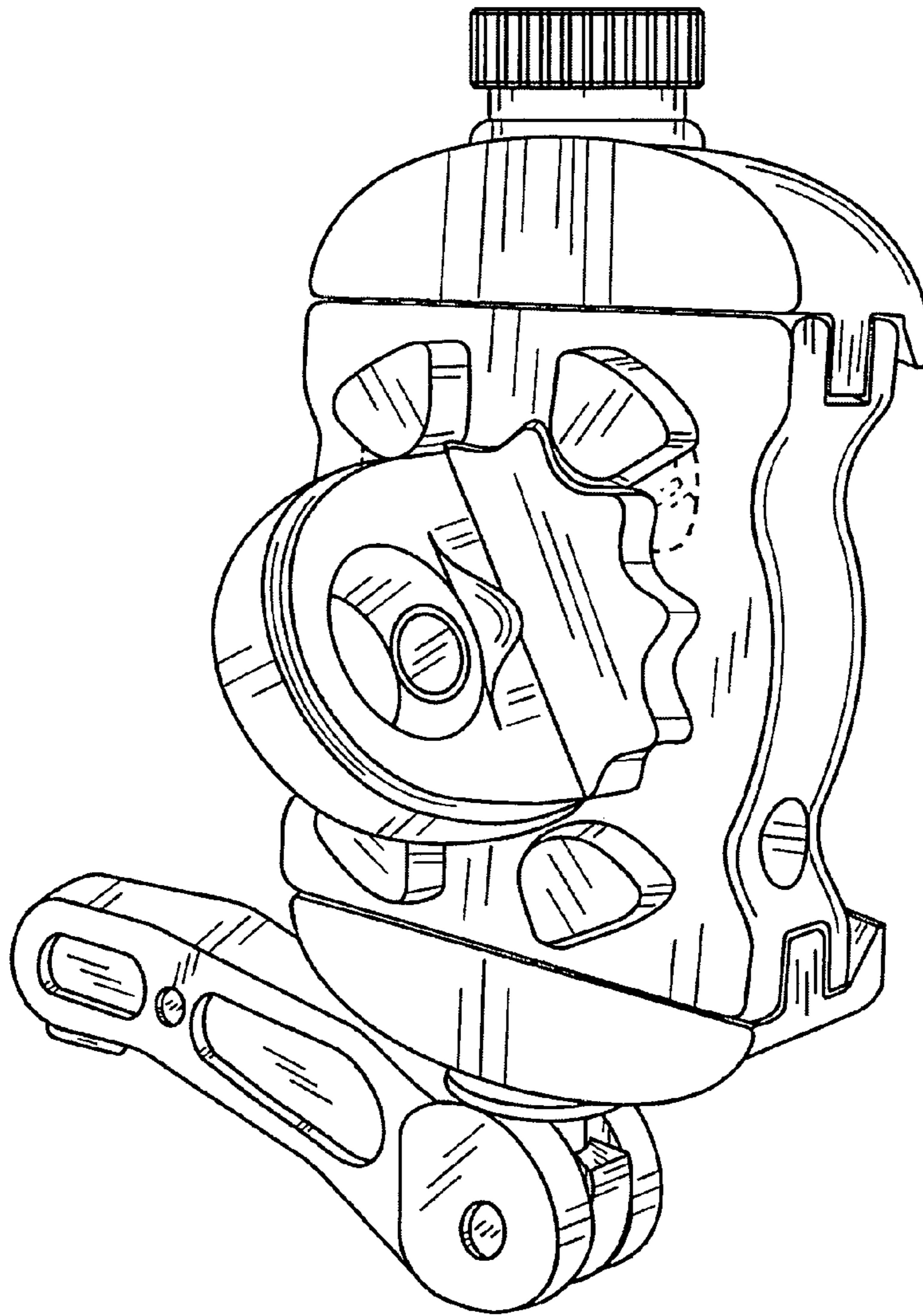


FIG. 1

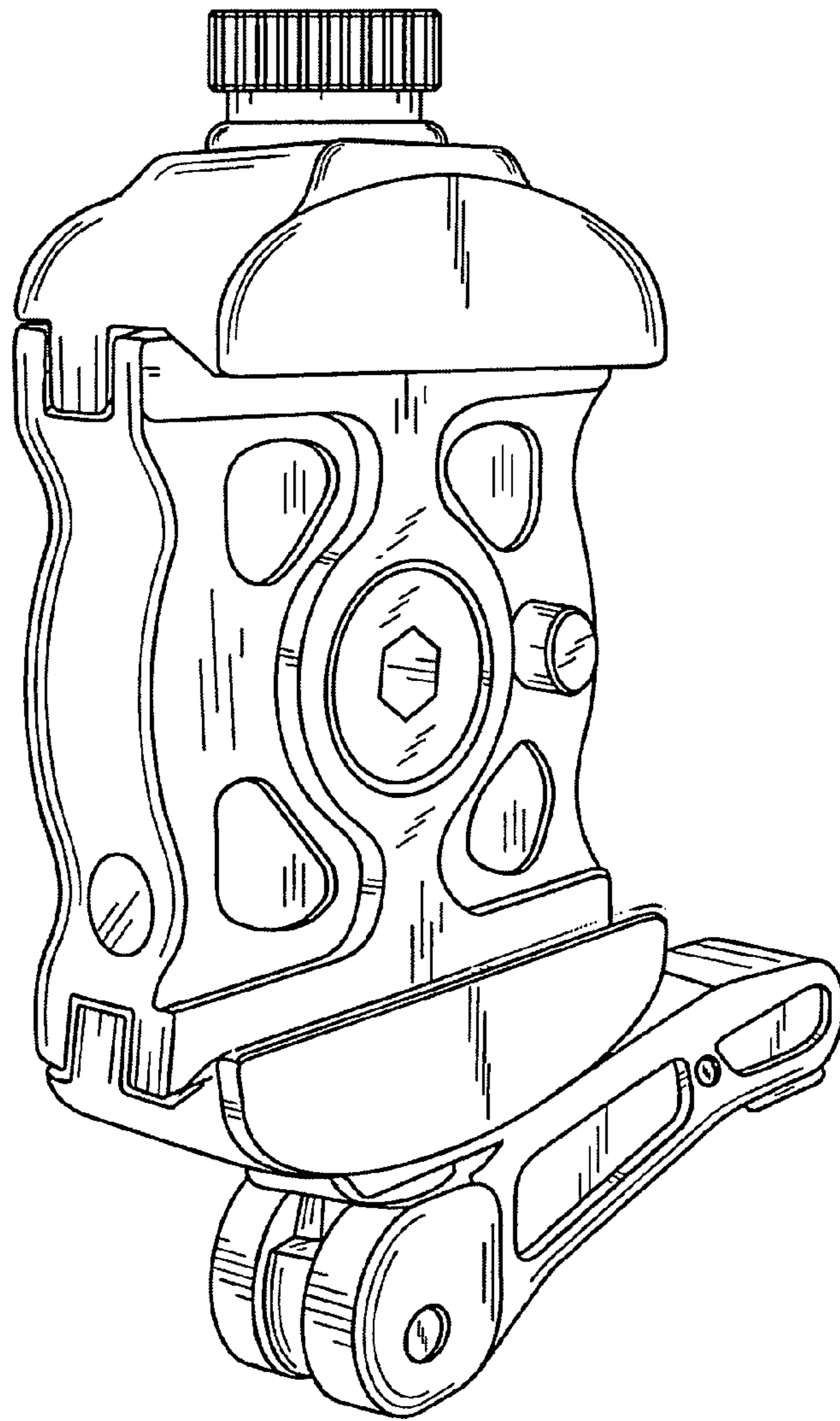


FIG. 2

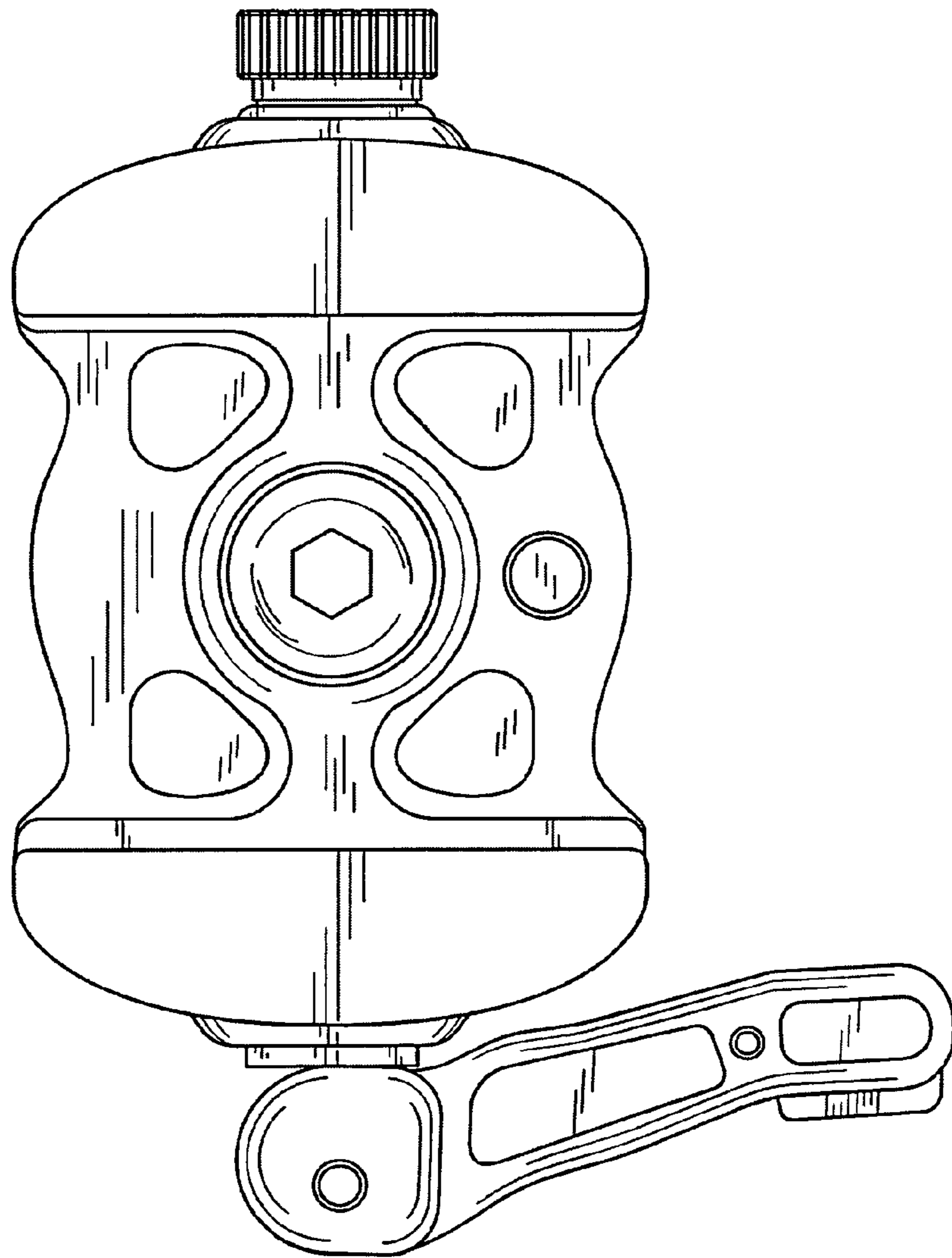


FIG. 3

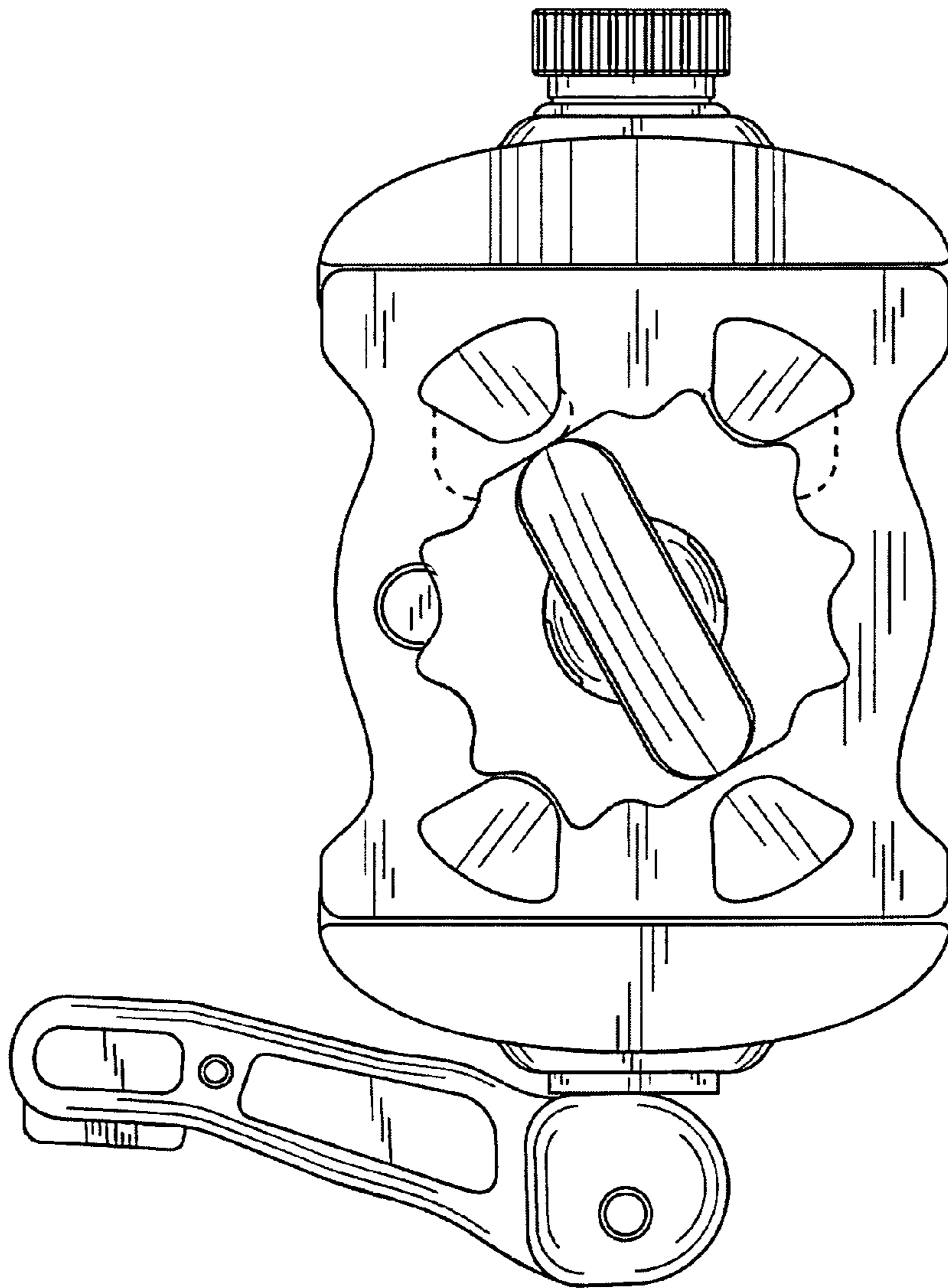


FIG. 4

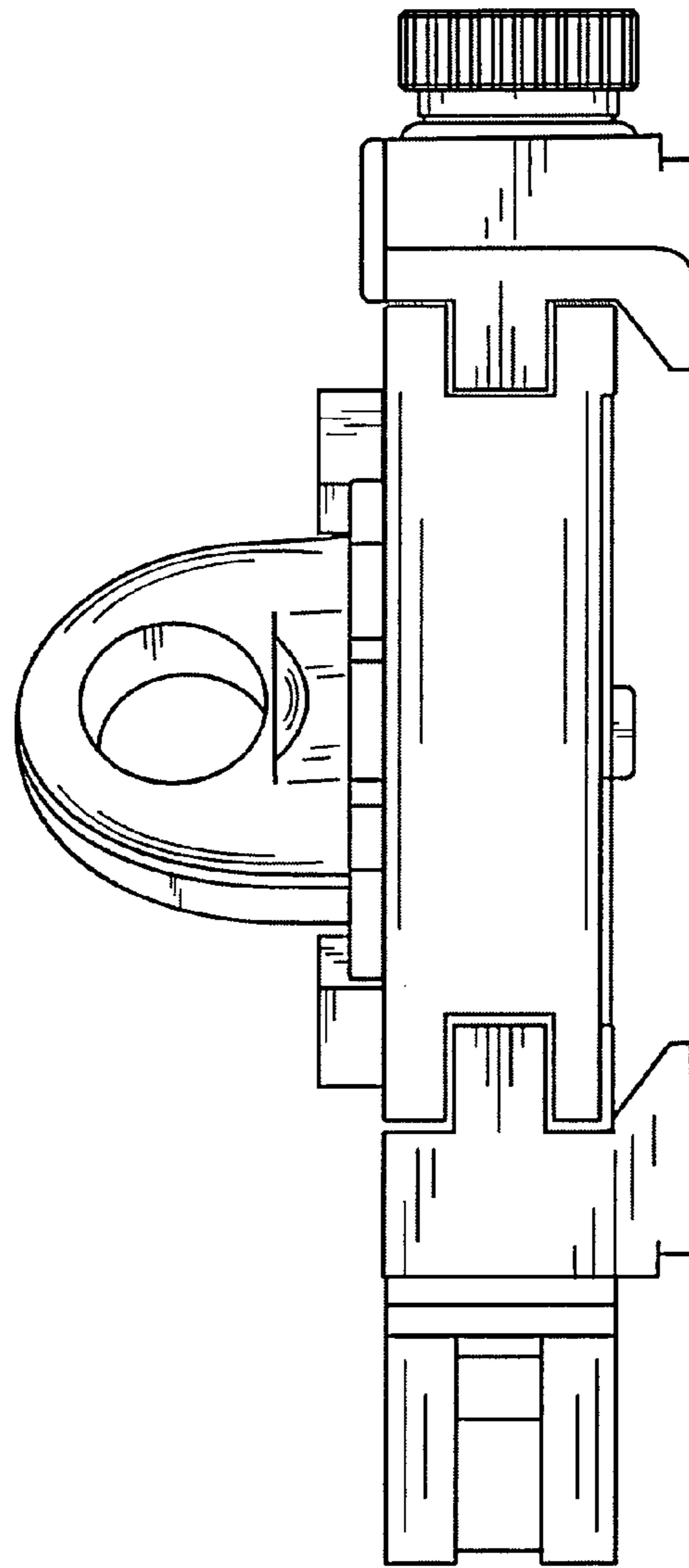


FIG. 5

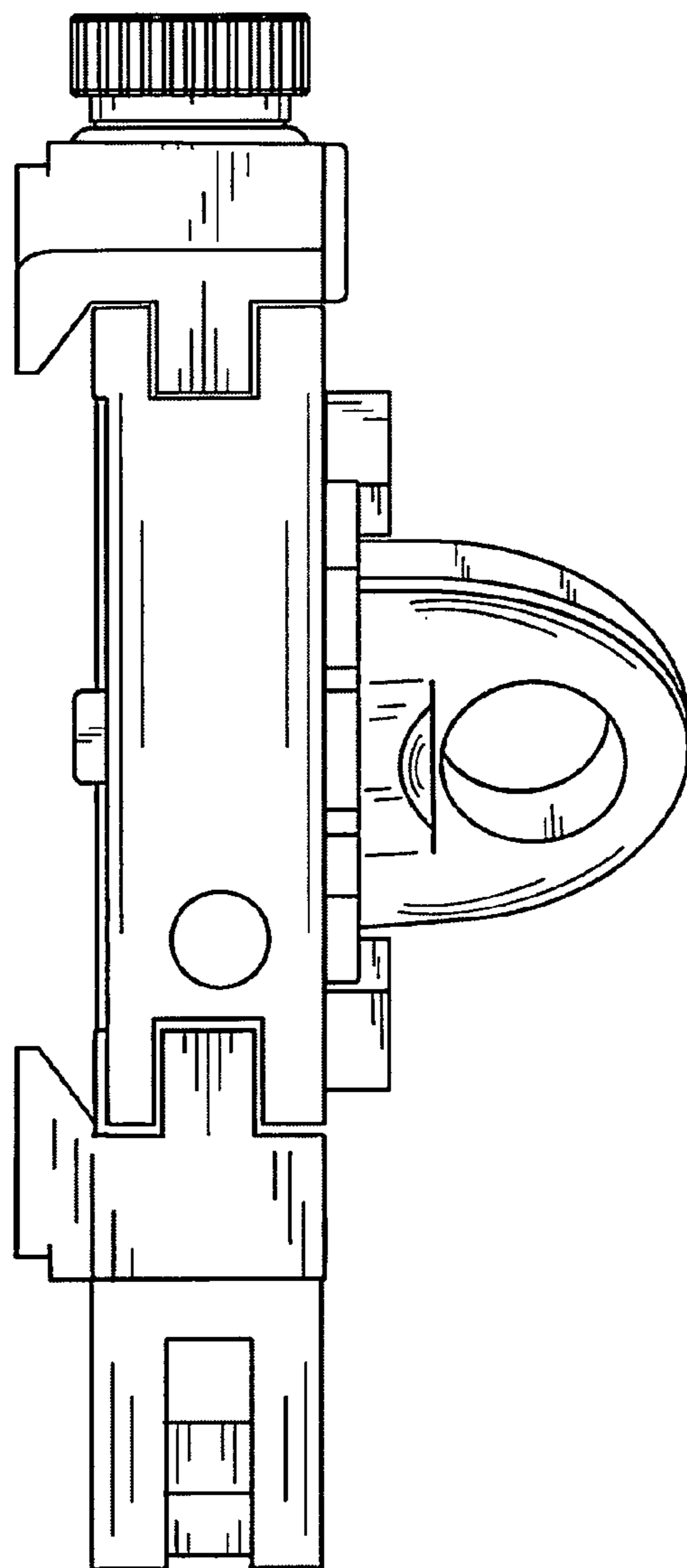


FIG. 6

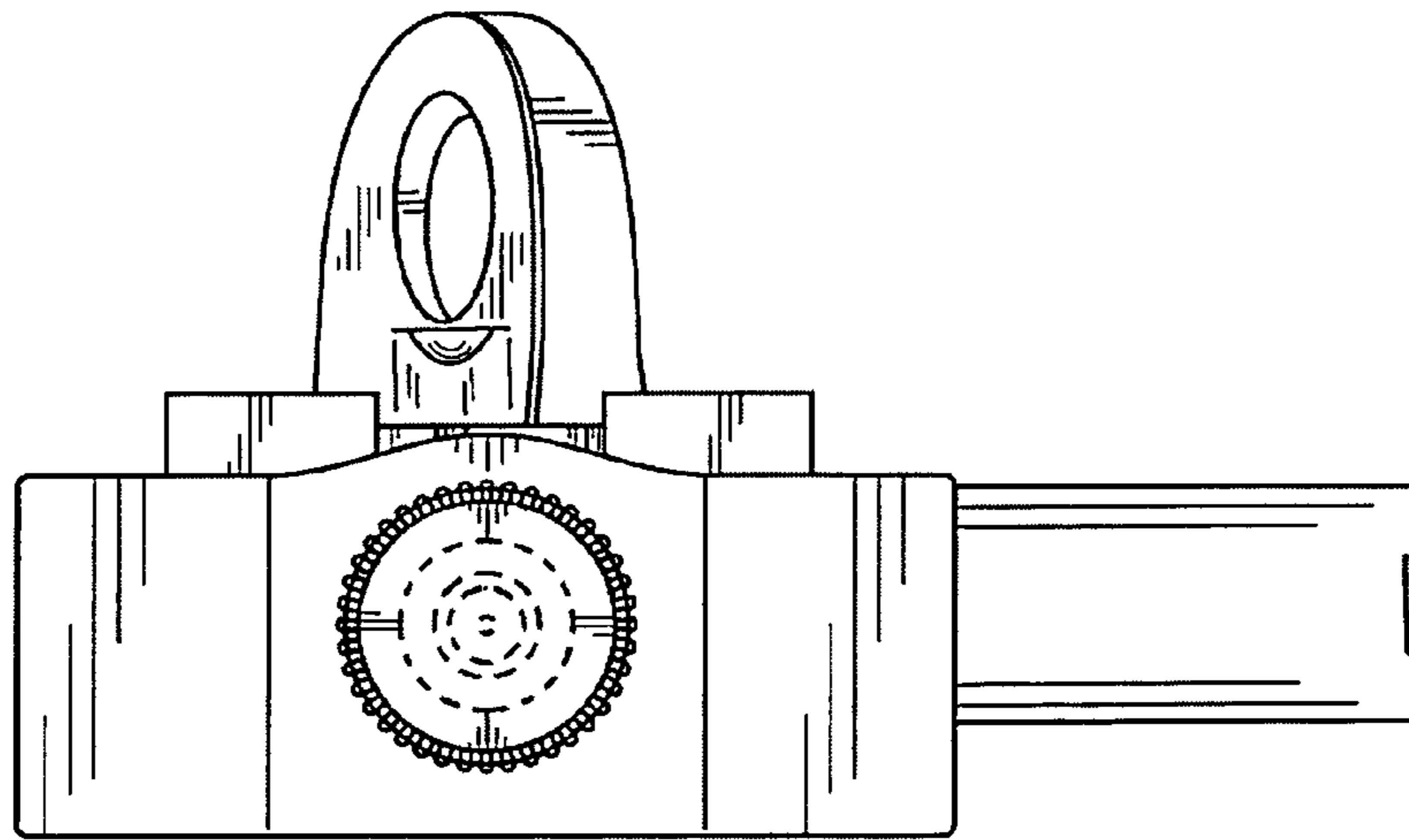


FIG. 7

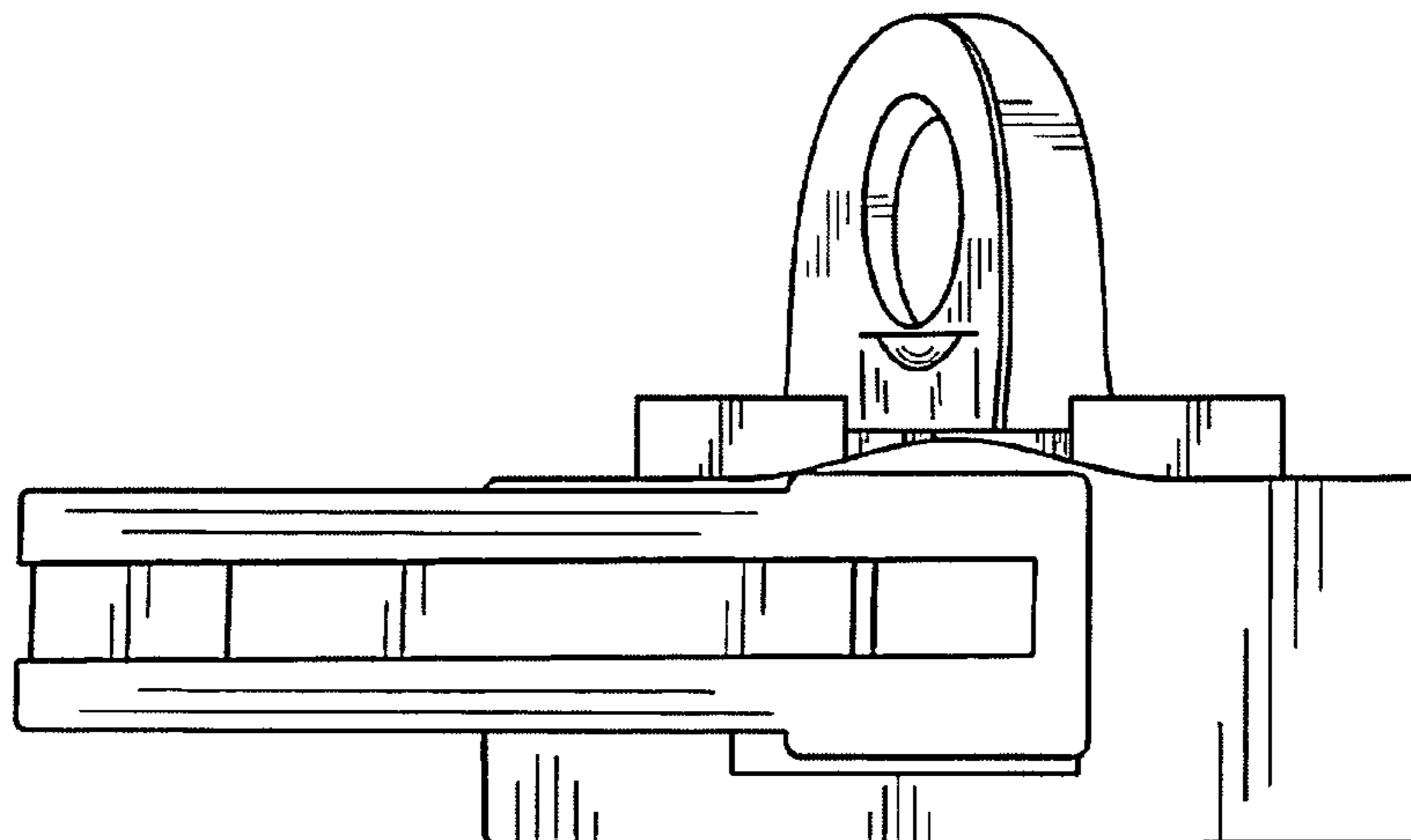


FIG. 8