



US00D724645S

(12) **United States Design Patent**
Kim et al.

(10) **Patent No.:** **US D724,645 S**
(45) **Date of Patent:** **** Mar. 17, 2015**

(54) **DIGITAL CAMERA**

(71) Applicant: **Samsung Electronics Co., Ltd.**,
Suwon-si (KR)

(72) Inventors: **In-Shik Kim**, Seongnam-si (KR); **Kenji Yamauchi**, Seoul (KR); **Joo-Hyung Lee**, Seoul (KR); **Chang-Sin Cho**, Seoul (KR)

(73) Assignee: **Samsung Electronics Co., Ltd.**,
Suwon-si (KR)

(**) Term: **14 Years**

(21) Appl. No.: **29/473,261**

(22) Filed: **Nov. 20, 2013**

(30) **Foreign Application Priority Data**

May 21, 2013 (KR) 30-2013-0026344

(51) **LOC (10) Cl.** **16-05**

(52) **U.S. Cl.**
USPC **D16/219**

(58) **Field of Classification Search**

CPC G03B 15/03; G03B 17/02; G03B 17/04;
G03B 17/56; G03B 19/04; H04N 5/2251;
H04N 5/2252; H04N 5/2253; H04N 5/2254;
H04N 2101/00

USPC D16/200, 202–206, 208, 218, 219, 242;
348/373–376; 396/177, 535, 539–541

See application file for complete search history.

(56) **References Cited**

U.S. PATENT DOCUMENTS

D550,743 S * 9/2007 Bai D16/218
D555,688 S * 11/2007 Yoo et al. D16/202
D576,650 S * 9/2008 Shibata et al. D16/202
D577,757 S * 9/2008 Sumita D16/202
D596,217 S * 7/2009 Kim et al. D16/219
D596,218 S * 7/2009 Kim et al. D16/219

D597,576 S * 8/2009 Kim et al. D16/202
D634,766 S * 3/2011 Ham D16/202
D677,706 S * 3/2013 Nojima et al. D16/202
8,472,799 B2 * 6/2013 Kaneda et al. 396/177
D695,802 S * 12/2013 Kim et al. D16/200
D698,838 S * 2/2014 Tainaka D16/200
8,744,259 B2 * 6/2014 Yoon 396/177

* cited by examiner

Primary Examiner — Adir Aronovich

Assistant Examiner — Ramzi Almatrahi

(74) *Attorney, Agent, or Firm* — NSIP Law

(57) **CLAIM**

The ornamental design for a digital camera, as shown and described.

DESCRIPTION

FIG. 1 is a front perspective view of a digital camera showing our new design;

FIG. 2 is a front view thereof;

FIG. 3 is a rear view thereof;

FIG. 4 is a left-side view thereof;

FIG. 5 is a right-side view thereof;

FIG. 6 is a top view thereof;

FIG. 7 is a bottom view thereof;

FIG. 8 is an enlarged view of the encircled portion as shown in FIG. 1;

FIG. 9 is an enlarged view of the encircled portion as shown in FIG. 2;

FIG. 10 is an enlarged view of the encircled portion as shown in FIG. 3; and,

FIG. 11 is an enlarged view of the encircled portion as shown in FIG. 7.

The broken lines illustrating portions of the digital camera are for environmental purposes only and form no part of the claimed design.

The dot-dash broken lines encircling portions of the claimed design that are illustrated in enlargements form no part of the claimed design.

1 Claim, 6 Drawing Sheets

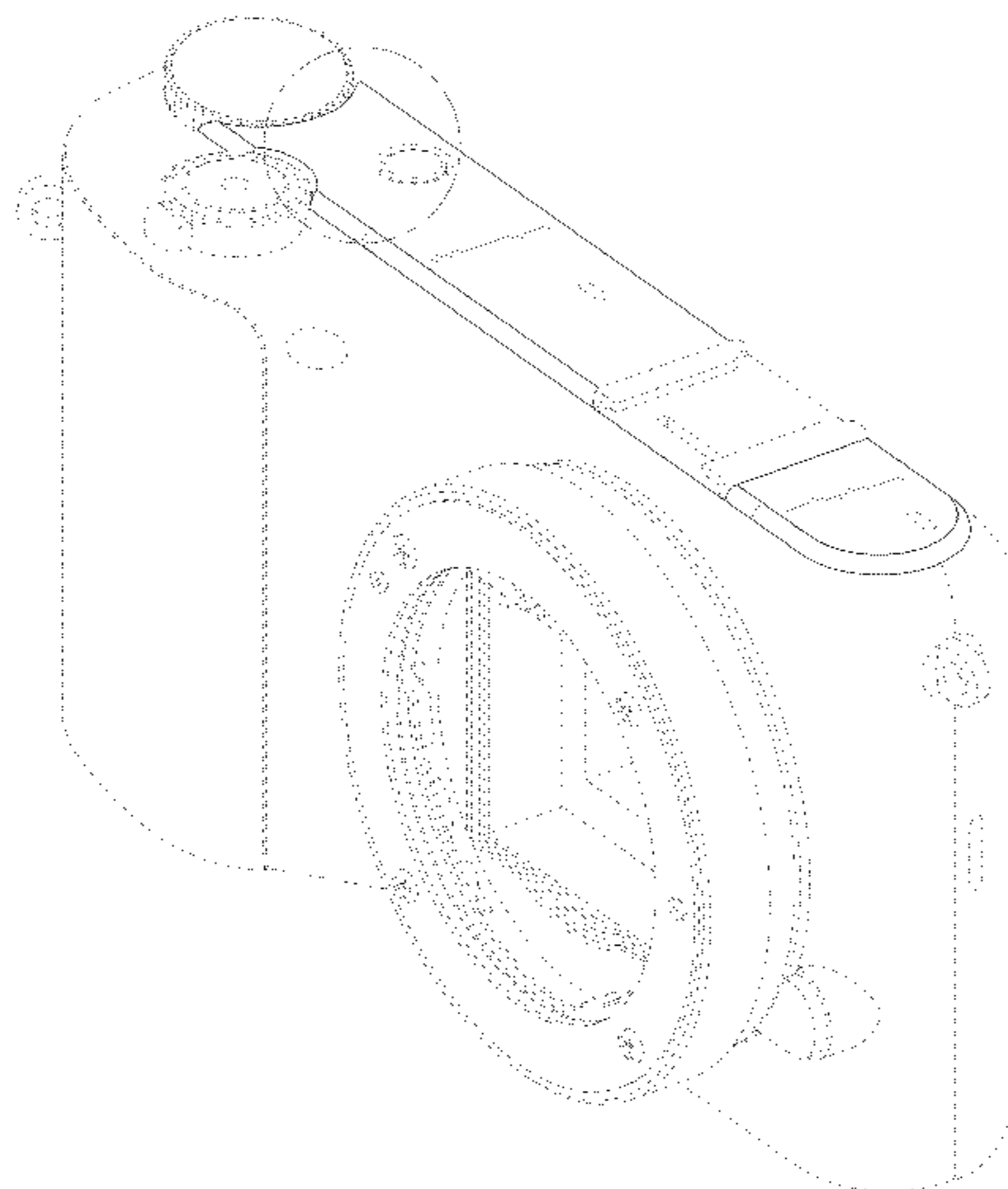


FIG. 1

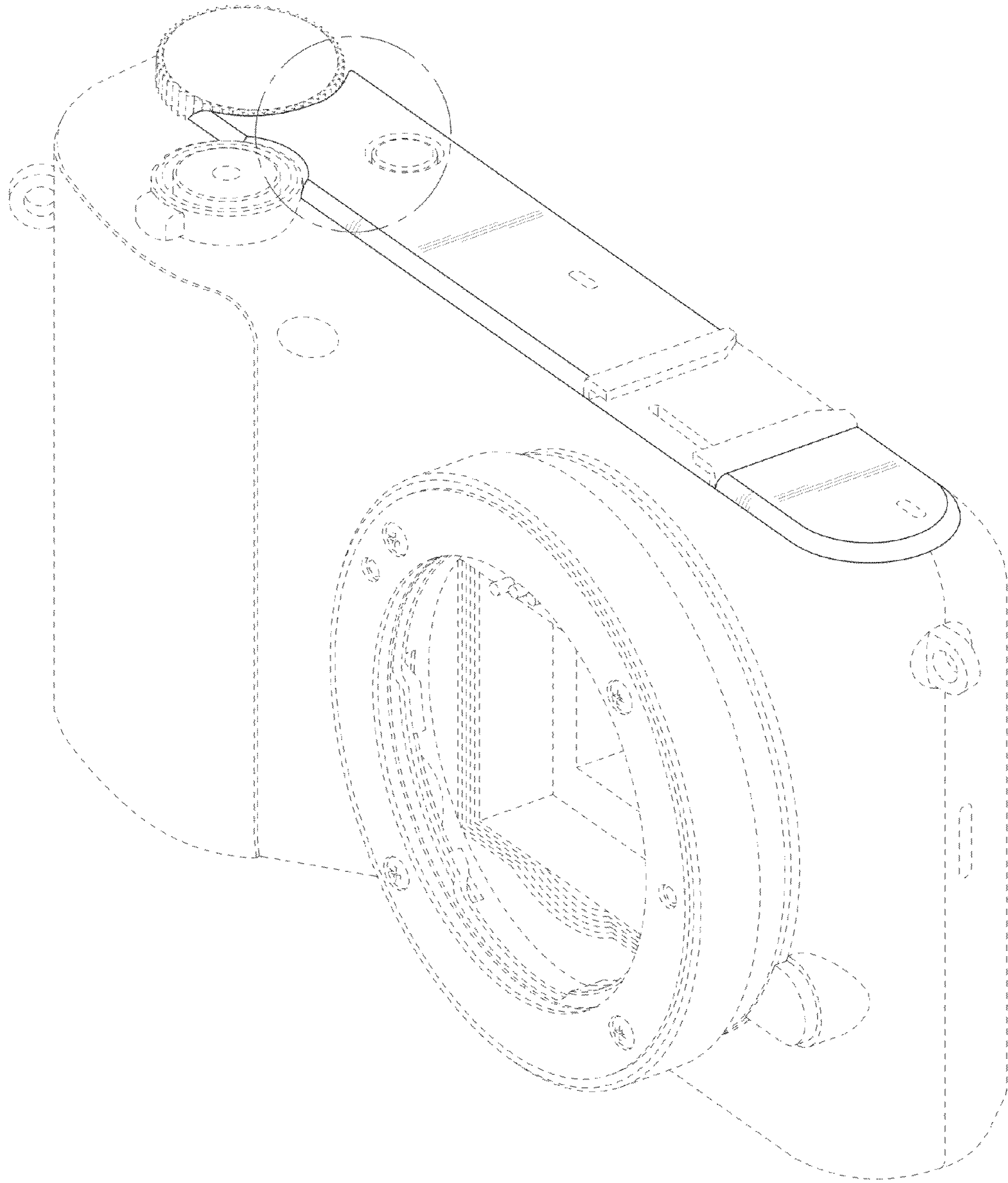


FIG.2

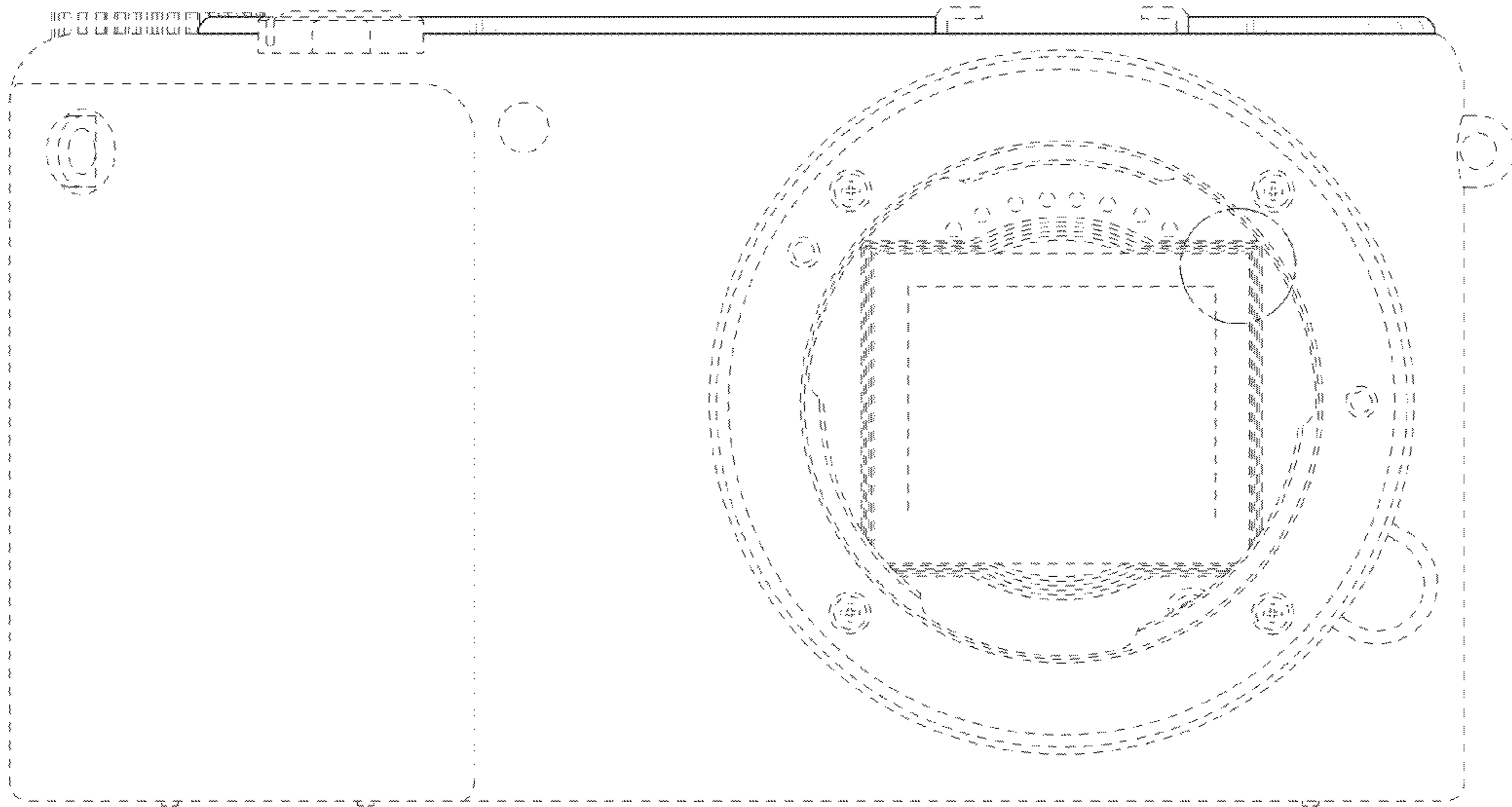


FIG.3

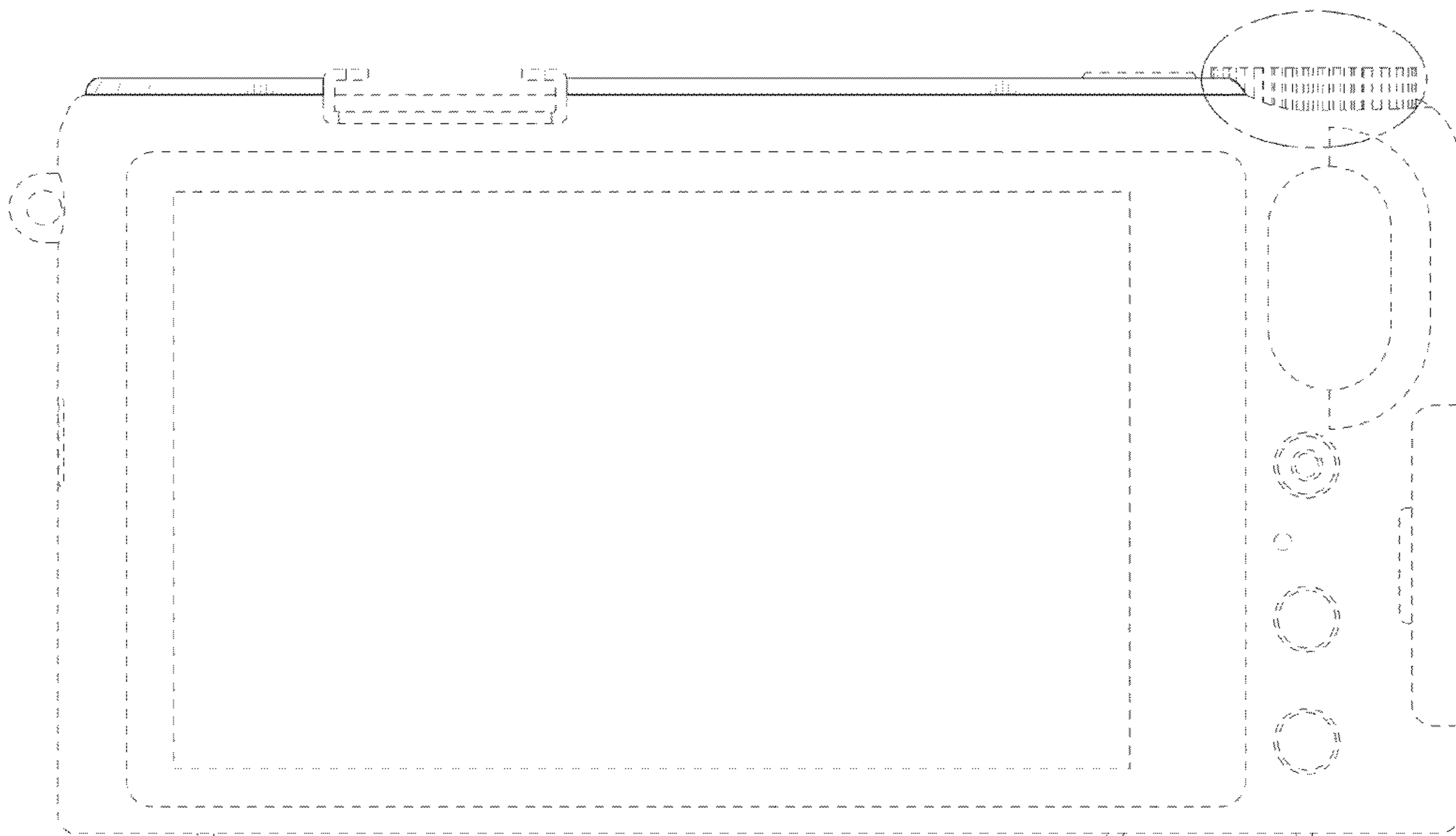


FIG.4

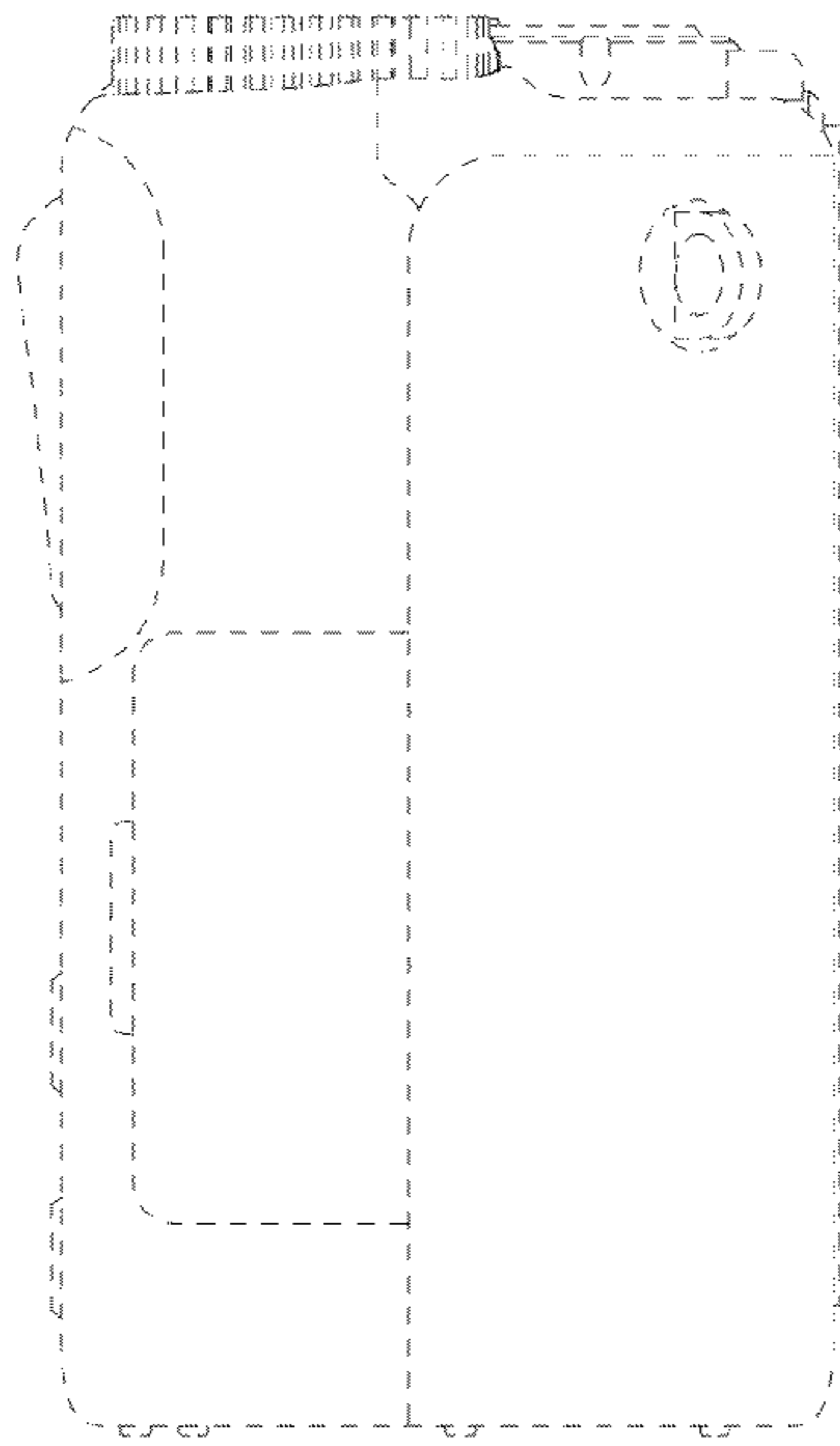


FIG.5

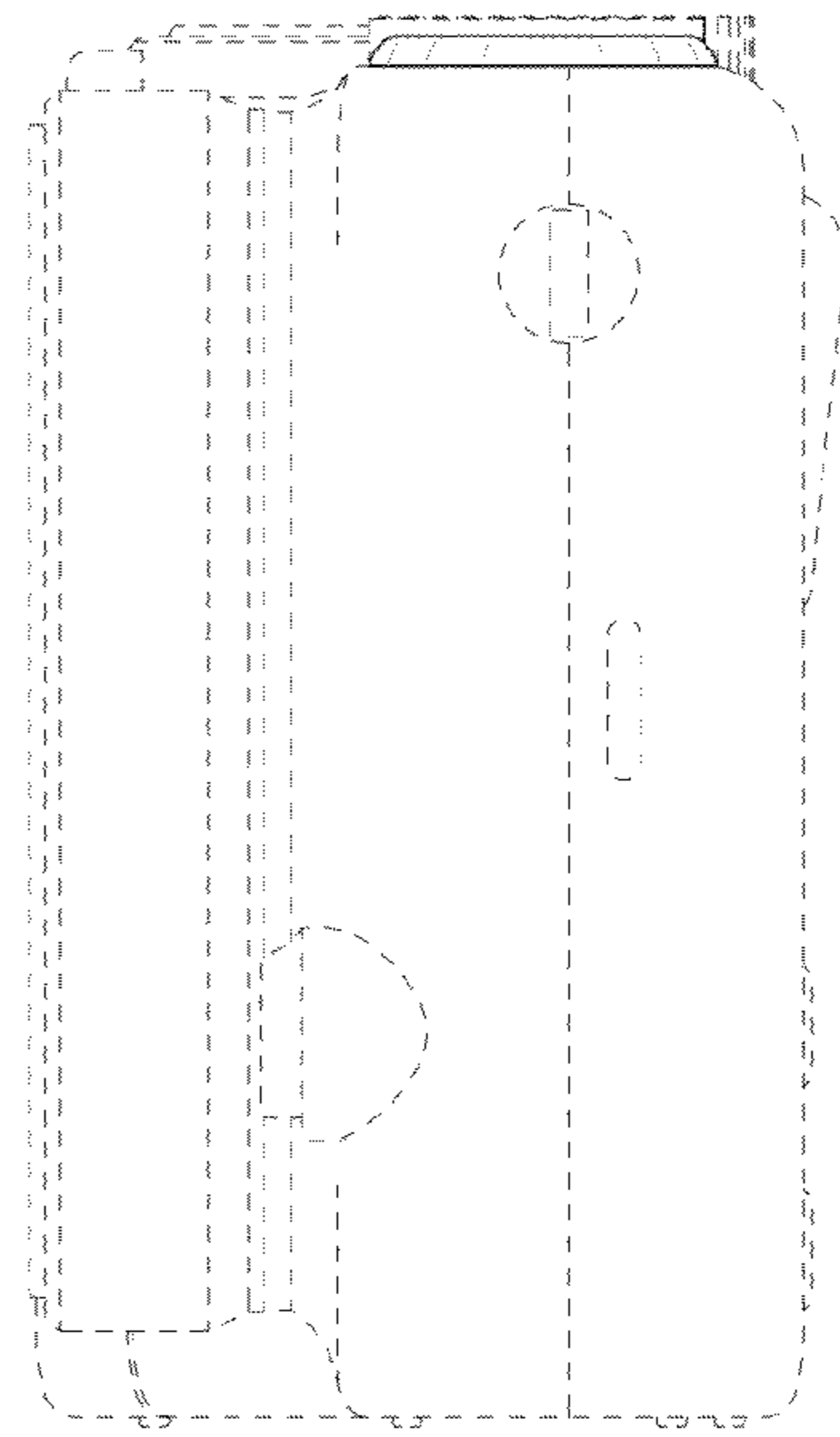


FIG.6

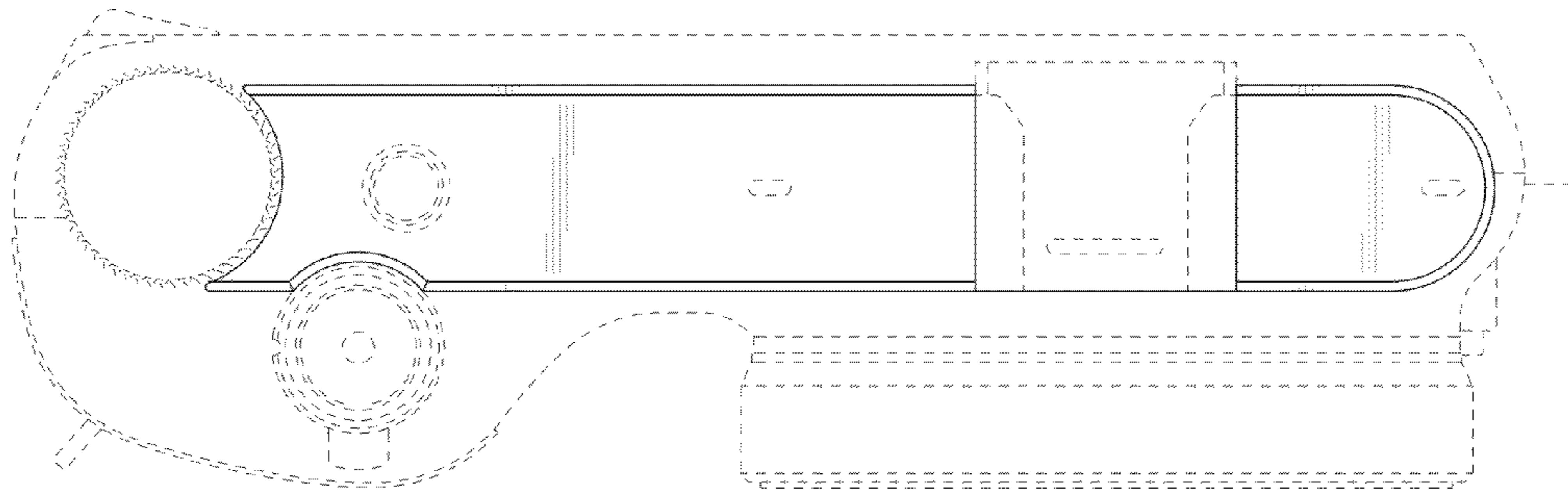


FIG.7

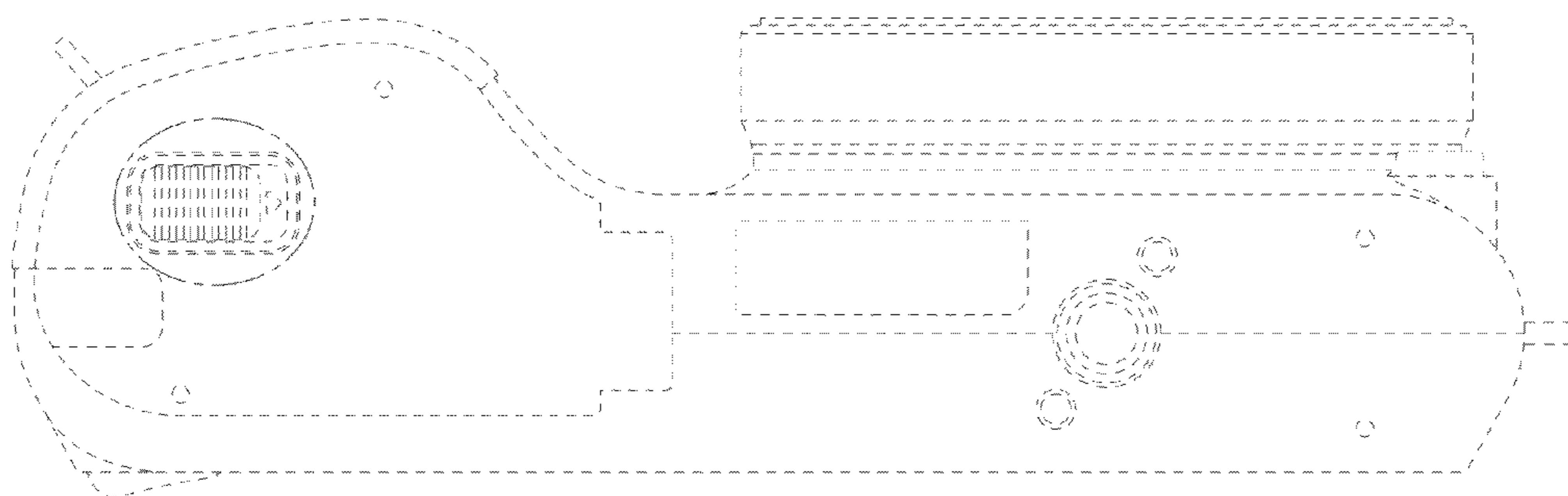


FIG.8

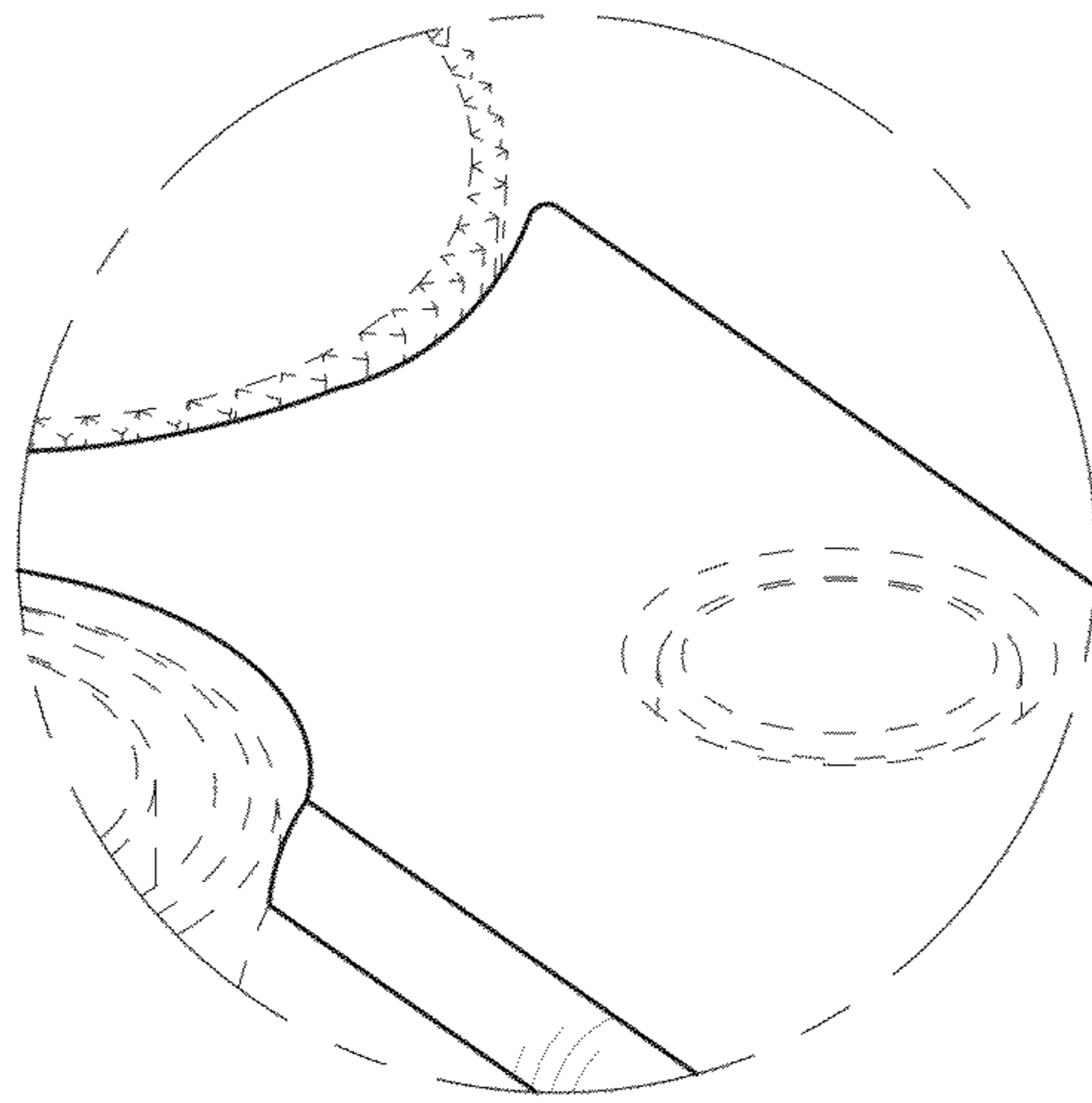


FIG.9

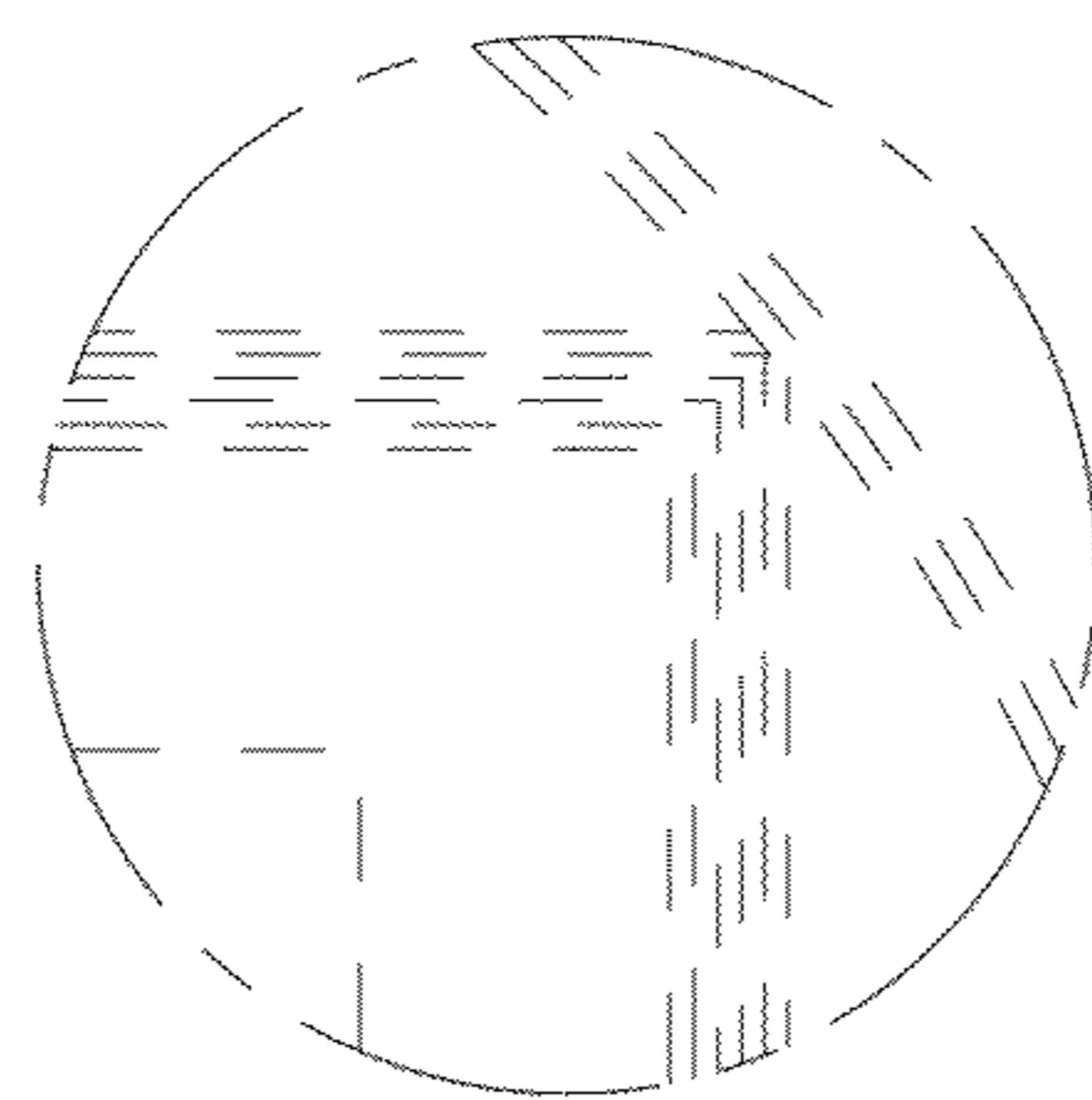


FIG.10

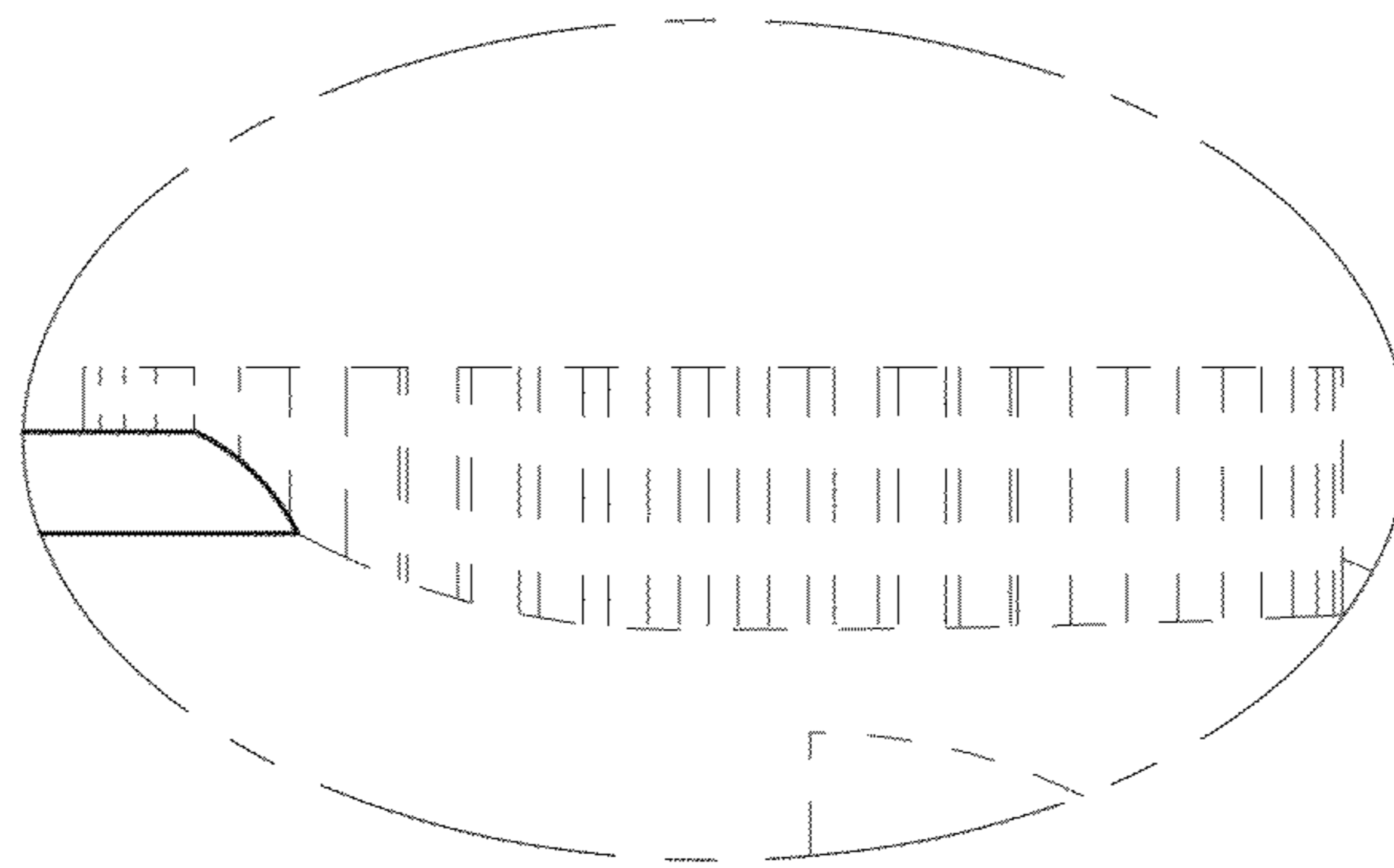


FIG.11

