



US00D724644S

(12) **United States Design Patent**
Tainaka

(10) **Patent No.:** **US D724,644 S**
(45) **Date of Patent:** **** Mar. 17, 2015**

(54) **INTERCHANGEABLE LENS FOR CAMERA**

(56) **References Cited**

(71) Applicant: **Olympus Imaging Corporation,**
Shibuya-ku, Tokyo (JP)

(72) Inventor: **Daisuke Tainaka,** Hachioji (JP)

(73) Assignee: **Olympus Imaging Corp.,** Tokyo (JP)

(**) Term: **14 Years**

(21) Appl. No.: **29/471,107**

(22) Filed: **Oct. 28, 2013**

(30) **Foreign Application Priority Data**

Aug. 9, 2013 (JP) 2013-018441

(51) **LOC (10) Cl.** **16-05**

(52) **U.S. Cl.**
USPC **D16/219**

(58) **Field of Classification Search**

CPC G02B 7/00; G02B 7/026; G02B 23/16;
G03B 1/00; G03B 3/06; G03B 3/08; G03B
13/18; G03B 5/00; G03B 7/00; G03B 17/02
USPC D16/134, 136, 200, 218, 219; 348/373,
348/374; 359/611, 826-828; 396/529-534

See application file for complete search history.

U.S. PATENT DOCUMENTS

D248,766 S *	8/1978	Arai	D16/134
4,118,713 A *	10/1978	Murakami et al.	396/529
D425,088 S *	5/2000	Watanabe	D16/134
D433,044 S *	10/2000	Nagaoka et al.	D16/134
D562,863 S *	2/2008	Yasutomi	D16/219
D684,208 S *	6/2013	Lee	D16/219
D696,709 S *	12/2013	Sato	D16/219

* cited by examiner

Primary Examiner — Adir Aronovich

(74) *Attorney, Agent, or Firm* — Holtz, Holtz, Goodman & Chick PC

(57) **CLAIM**

The ornamental design for an interchangeable lens for camera, as shown and described.

DESCRIPTION

FIG. 1 is a front, top and right side perspective view of an interchangeable lens for camera showing my new design; FIG. 2 is a front elevational view thereof; FIG. 3 is a rear elevational view thereof; FIG. 4 is a top plan view thereof; FIG. 5 is a bottom plan view thereof; FIG. 6 is a left side elevational view thereof; FIG. 7 is a right side elevational view thereof; and, FIG. 8 is a top plan view of the interchangeable lens for camera showing a ring open state.

1 Claim, 8 Drawing Sheets

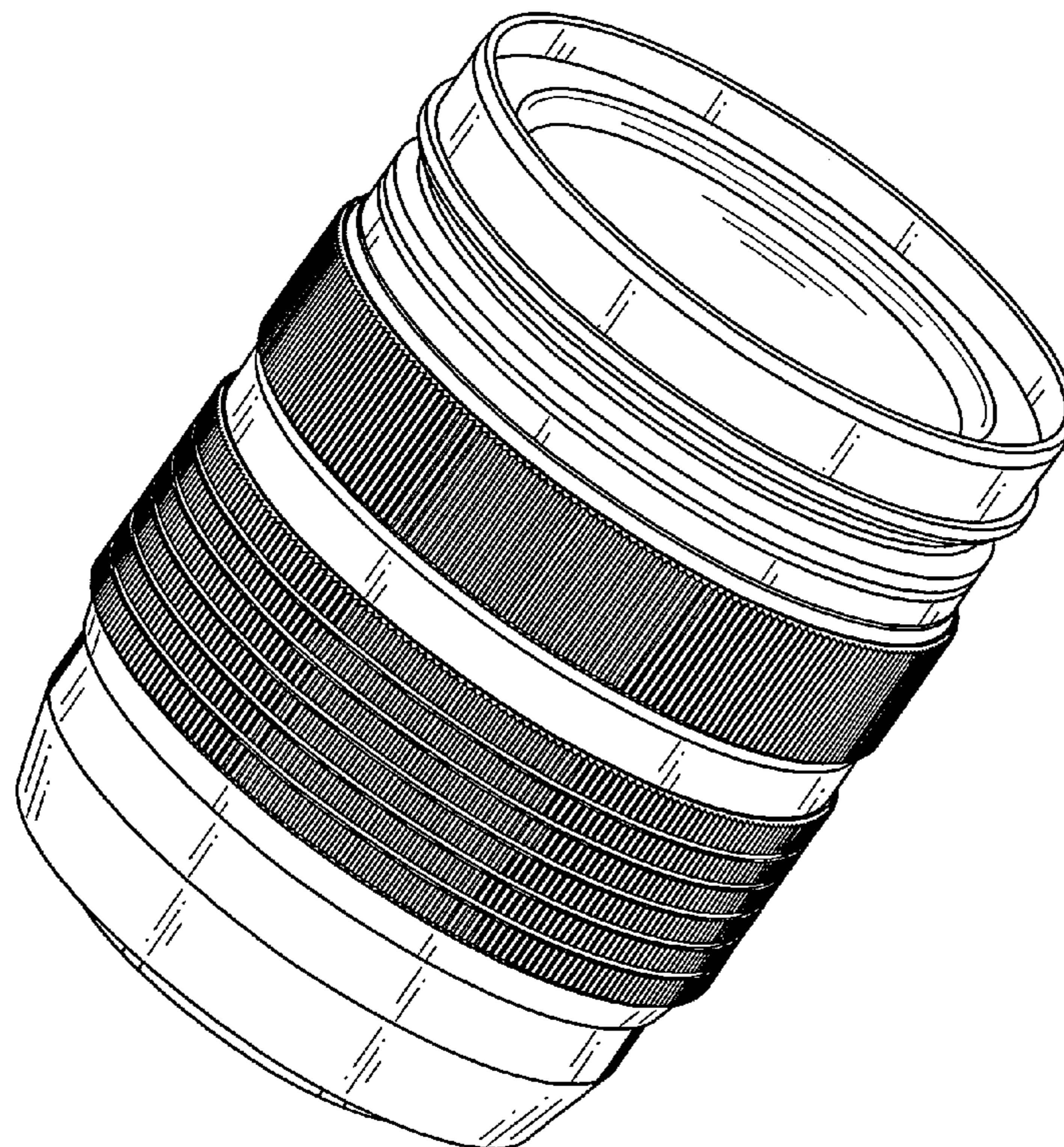


FIG.1

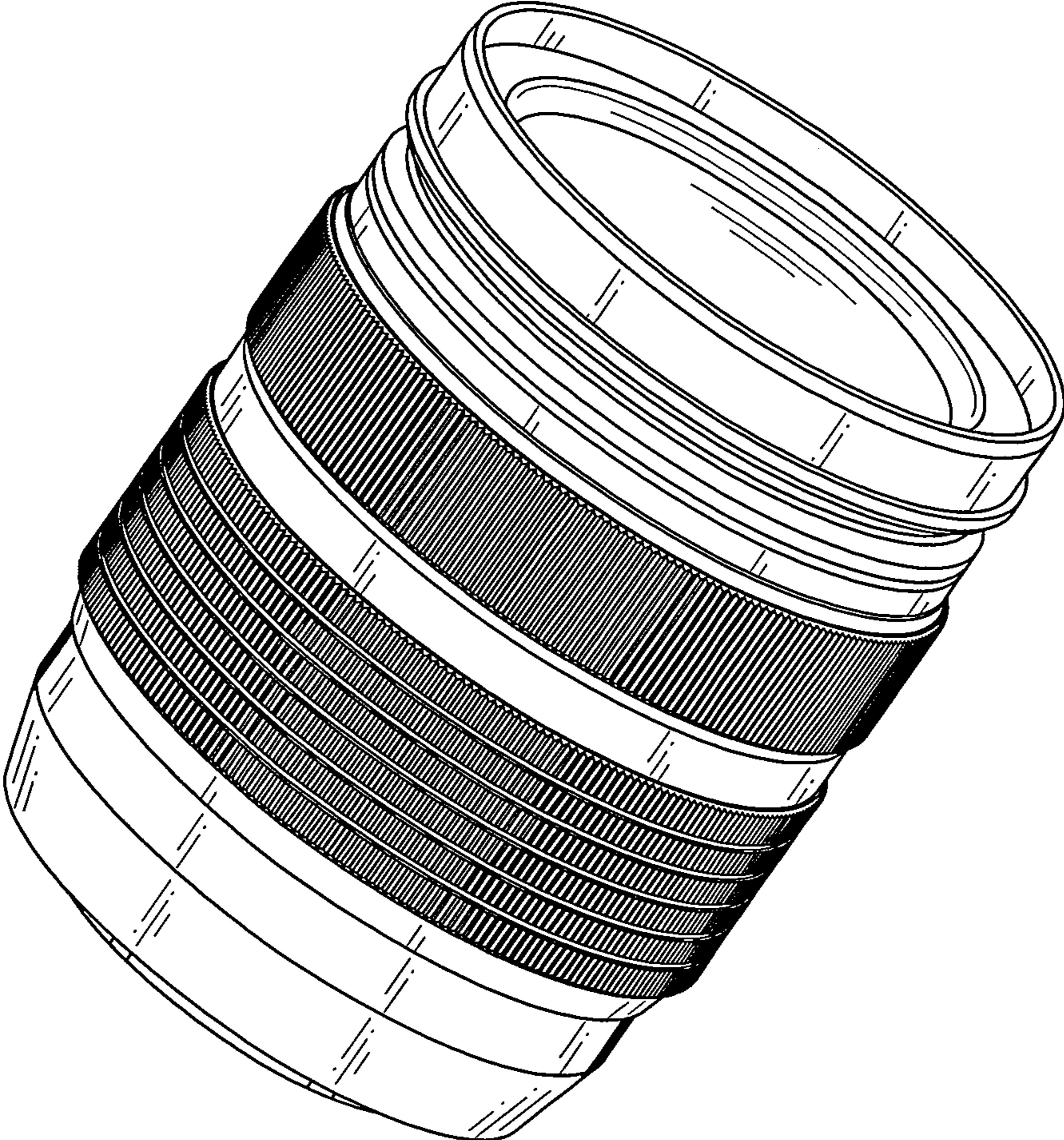


FIG.2

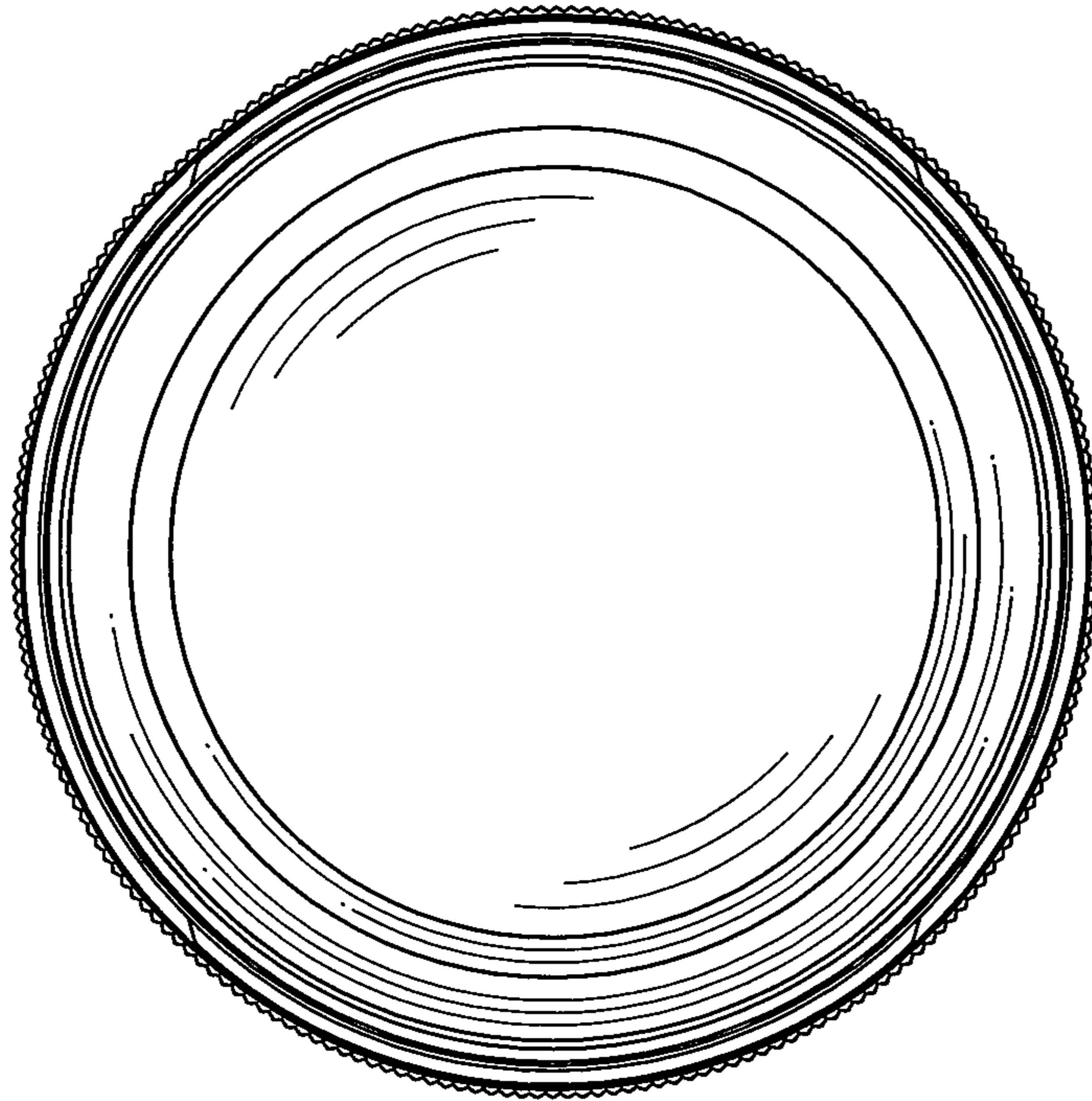


FIG.3

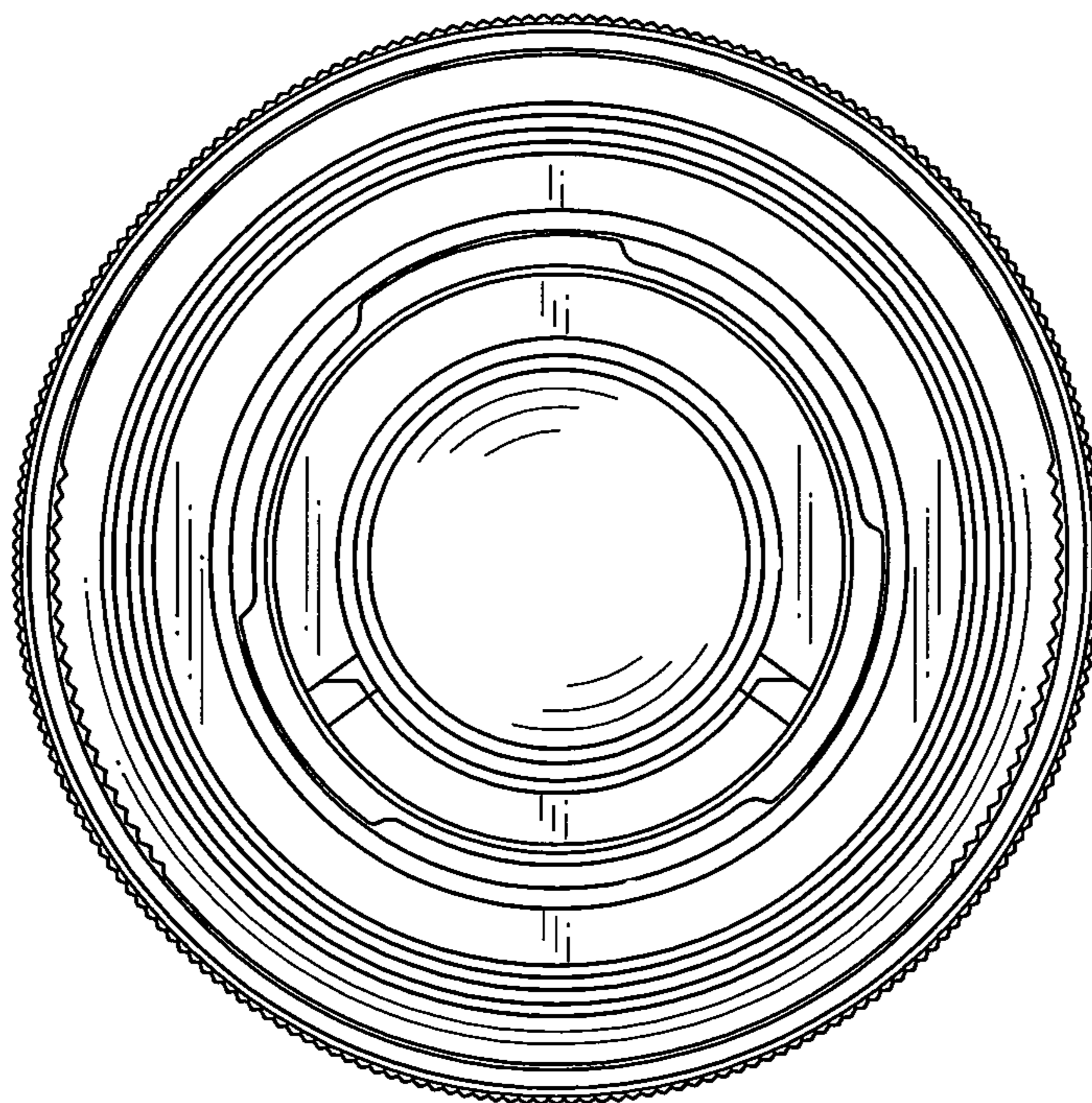


FIG.4

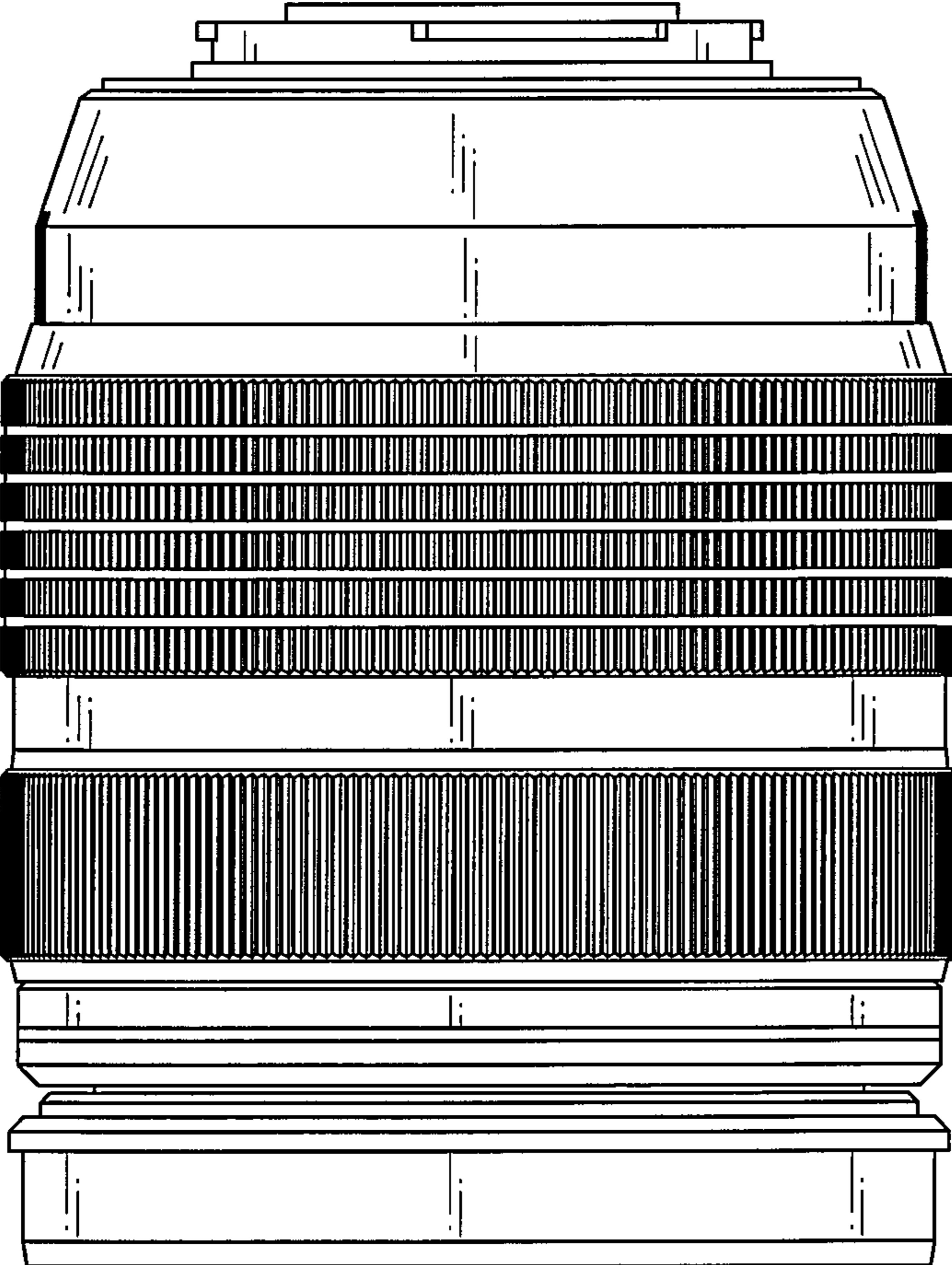


FIG.5

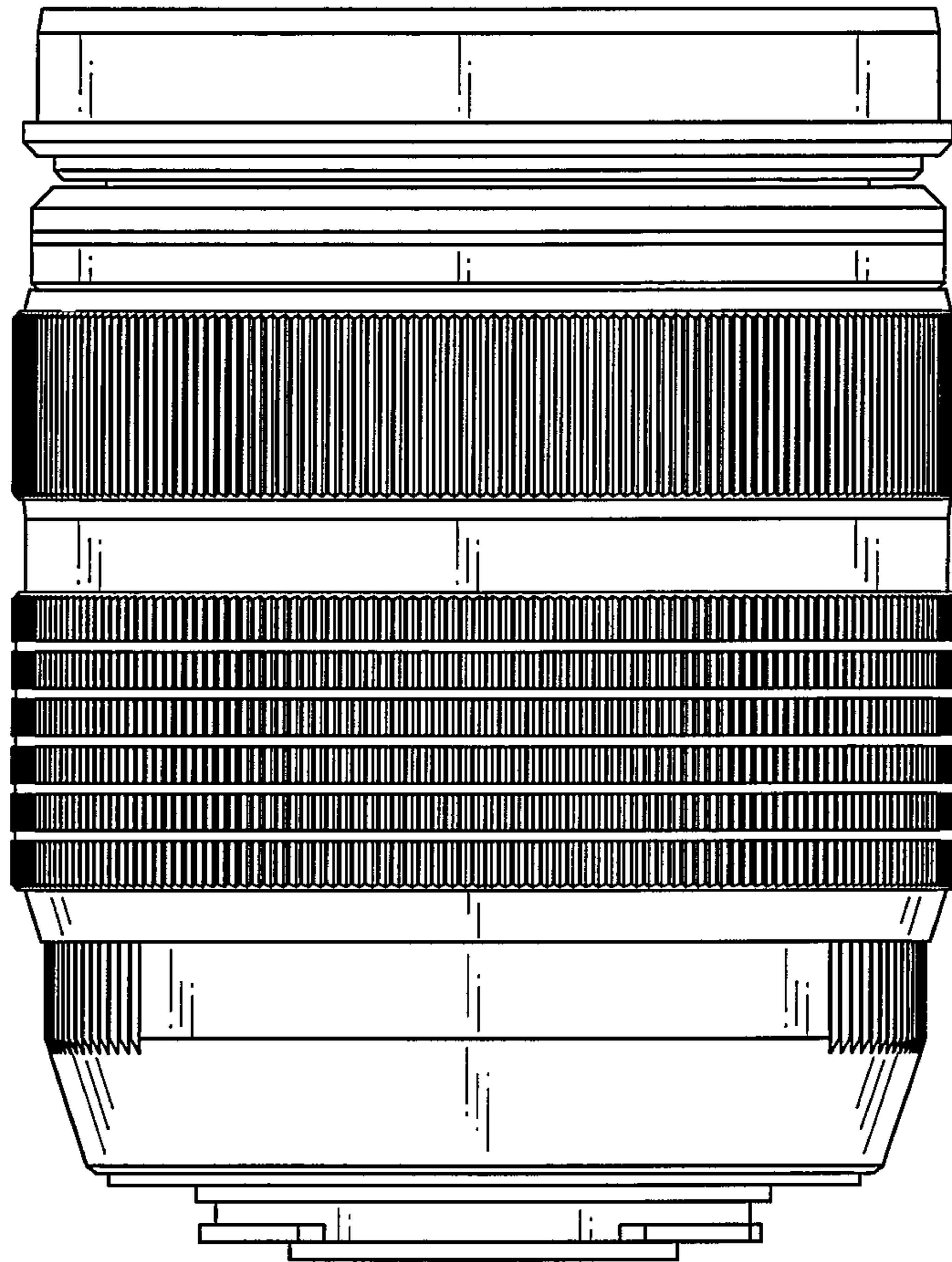


FIG. 6

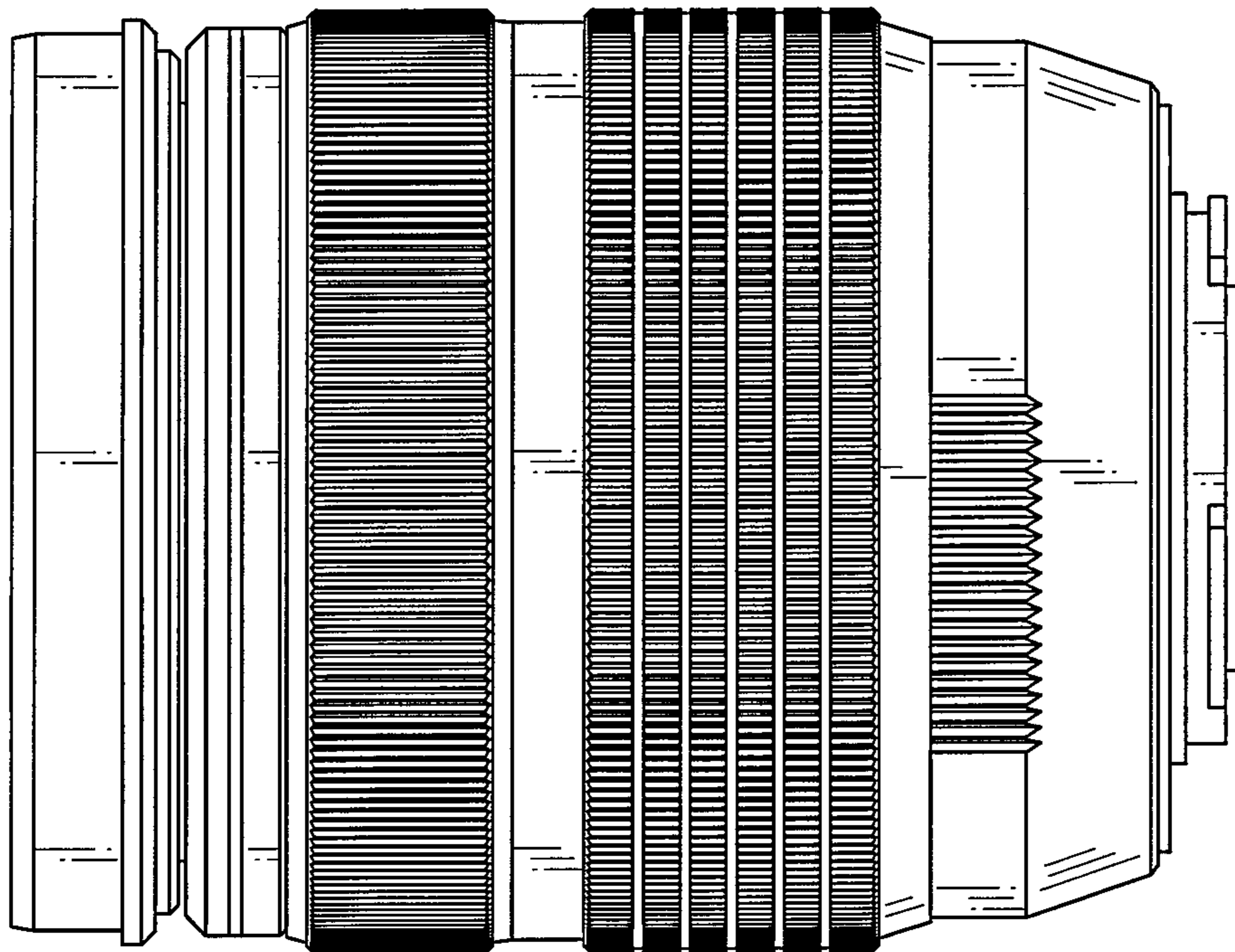


FIG.7

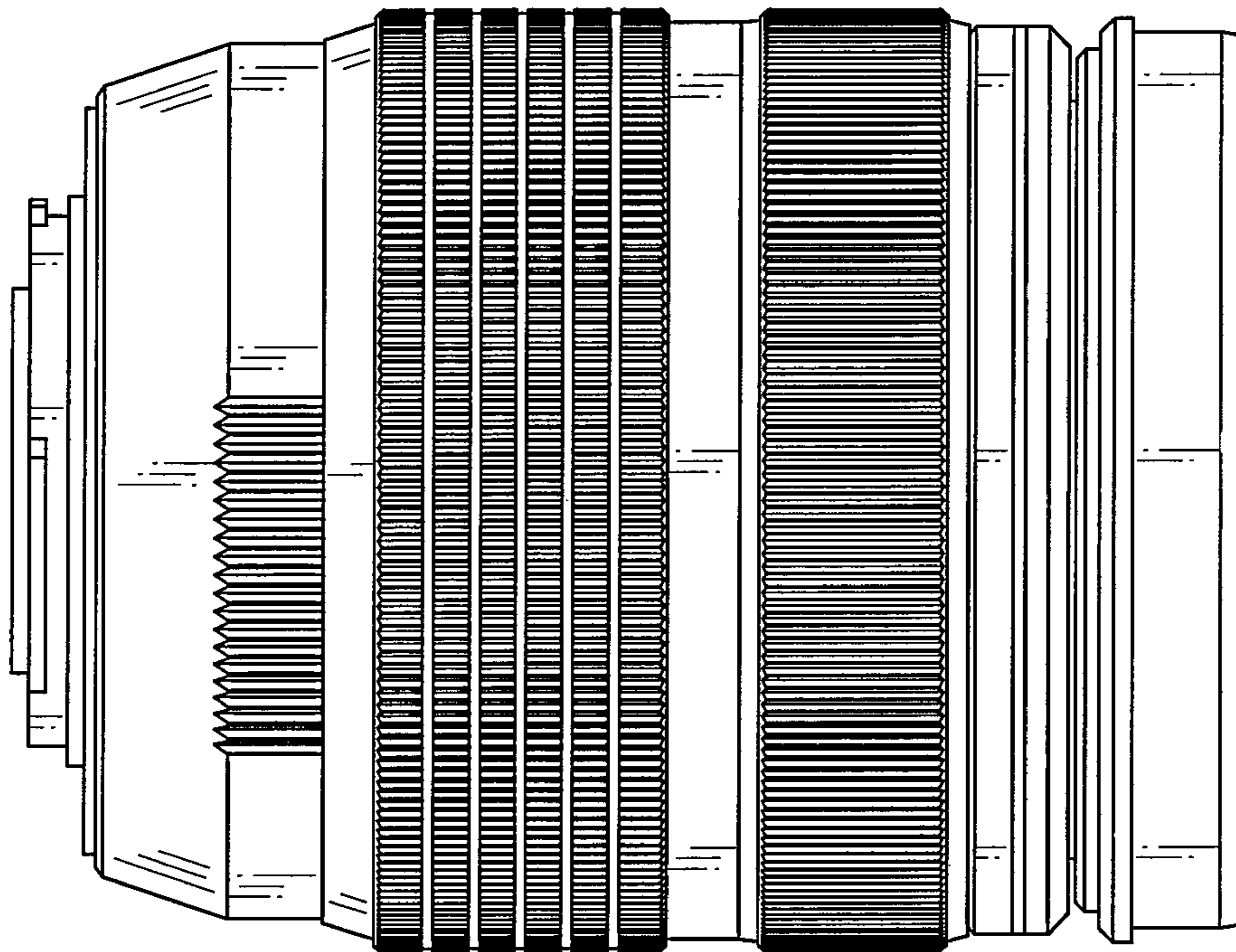


FIG.8

