



US00D724640S

(12) **United States Design Patent**  
**Ikegame**

(10) **Patent No.:** **US D724,640 S**  
(45) **Date of Patent:** **\*\* Mar. 17, 2015**

(54) **DIGITAL CAMERA**  
(71) Applicant: **FUJIFILM Corporation**, Tokyo (JP)  
(72) Inventor: **Haruka Ikegame**, Tokyo (JP)  
(73) Assignee: **FUJIFILM Corporation**, Tokyo (JP)  
(\*\*) Term: **14 Years**

D627,382 S *	11/2010	Nohara .....	D16/202
D639,838 S *	6/2011	Imai .....	D16/202
7,978,264 B2 *	7/2011	Takahashi .....	348/374
D648,765 S *	11/2011	Tsukamoto .....	D16/202
D660,897 S *	5/2012	Imai .....	D16/202
D665,003 S *	8/2012	Sakai .....	D16/202
D696,326 S *	12/2013	Sato .....	D16/200
D702,752 S *	4/2014	Sakai .....	D16/219
D703,255 S *	4/2014	Sakai .....	D16/202
D706,851 S *	6/2014	Sakai .....	D16/202
2002/0186319 A1 *	12/2002	Whitby et al. ....	348/375

(21) Appl. No.: **29/481,850**  
(22) Filed: **Feb. 11, 2014**

\* cited by examiner

(30) **Foreign Application Priority Data**

Aug. 22, 2013 (JP) ..... 2013-019175

*Primary Examiner* — Adir Aronovich  
*Assistant Examiner* — Ramzi Almatrahi  
(74) *Attorney, Agent, or Firm* — Jean C. Edwards, Esq.;  
Edwards Neils PLLC

(51) **LOC (10) Cl.** ..... **16-01**  
(52) **U.S. Cl.**  
USPC ..... **D16/202**

(57) **CLAIM**  
The ornamental design for a digital camera, as shown and described.

(58) **Field of Classification Search**  
CPC ..... G03B 15/03; G03B 17/02; G03B 17/04;  
G03B 17/56; G03B 19/04; H04N 5/2251;  
H04N 5/2252; H04N 5/2253; H04N 5/2254;  
H04N 2101/00  
USPC ..... D16/200, 202–206, 208, 218, 219, 242;  
348/373–376; 396/535, 539–541  
See application file for complete search history.

**DESCRIPTION**

FIG. 1 is a front, top and right side perspective view of a digital camera showing my new design;  
FIG. 2 is a rear, top and left side perspective view thereof;  
FIG. 3 is a front elevation view thereof;  
FIG. 4 is a rear elevation view thereof;  
FIG. 5 is a left side elevation view thereof;  
FIG. 6 is a right side elevation view thereof;  
FIG. 7 is a top plan view thereof; and,  
FIG. 8 is a bottom plan view thereof.

(56) **References Cited**

**U.S. PATENT DOCUMENTS**

6,950,142 B2 \* 9/2005 Soumi et al. .... 348/375  
D605,675 S \* 12/2009 Sakaguchi et al. .... D16/202

**1 Claim, 7 Drawing Sheets**

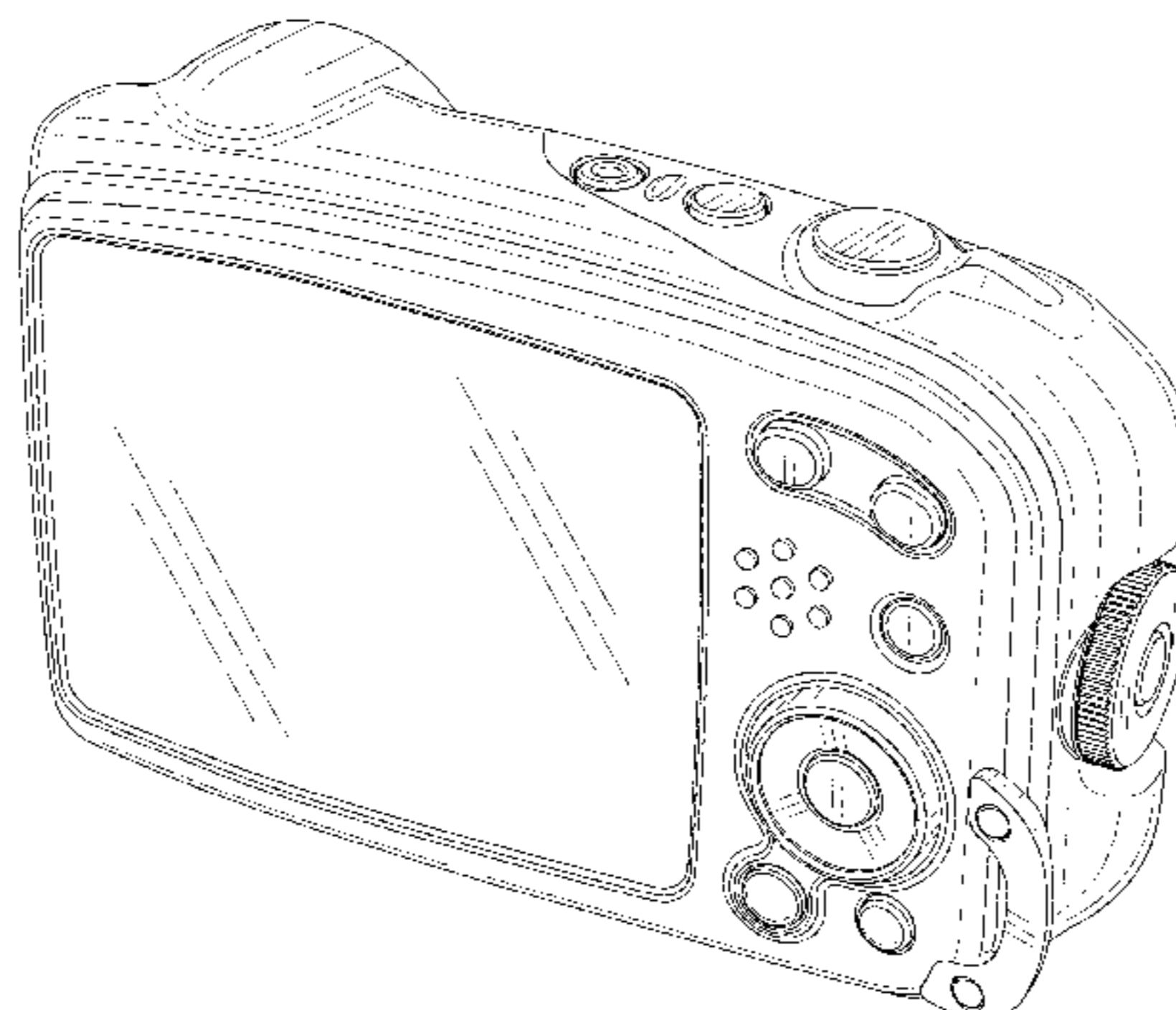
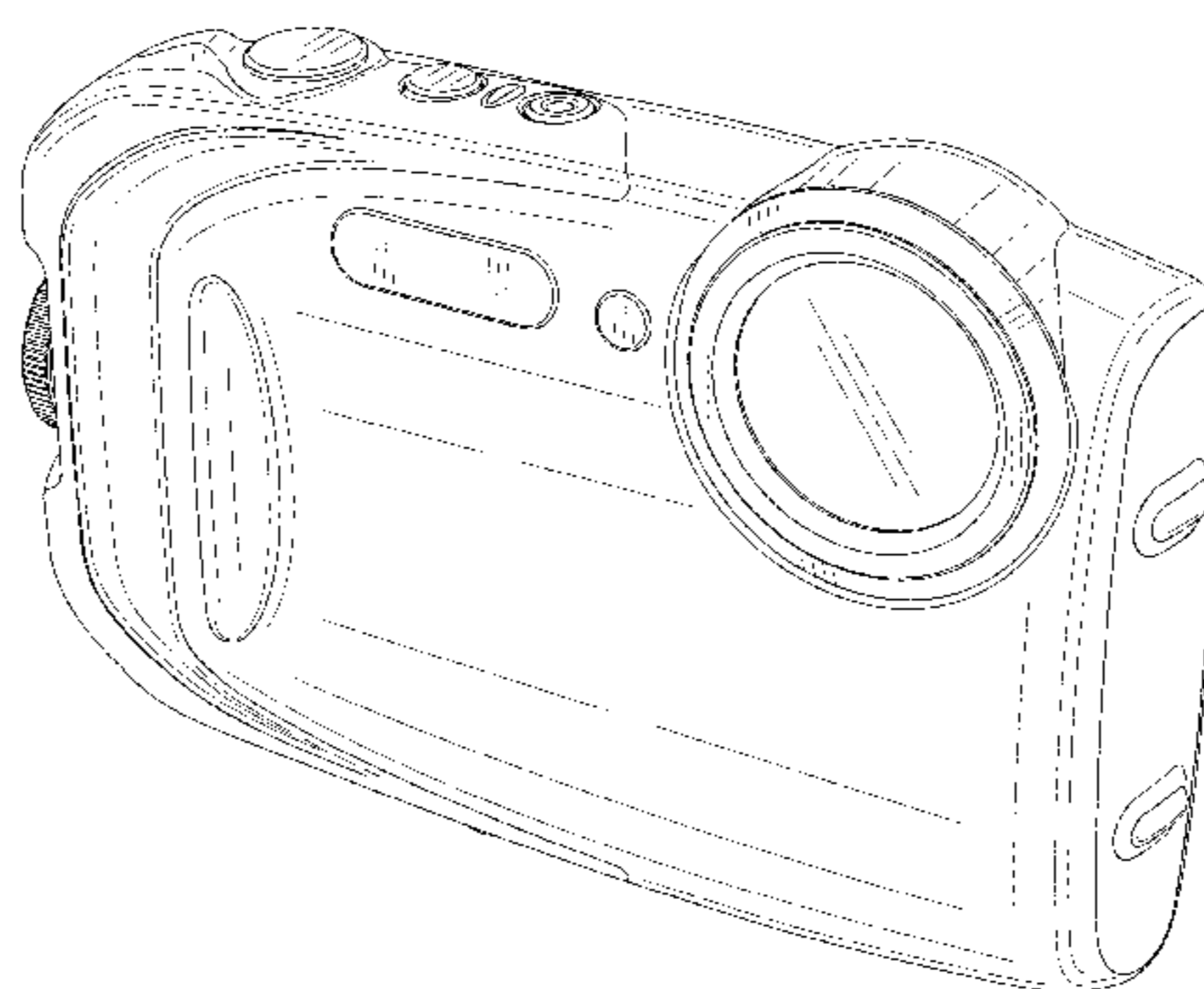


Fig. 1

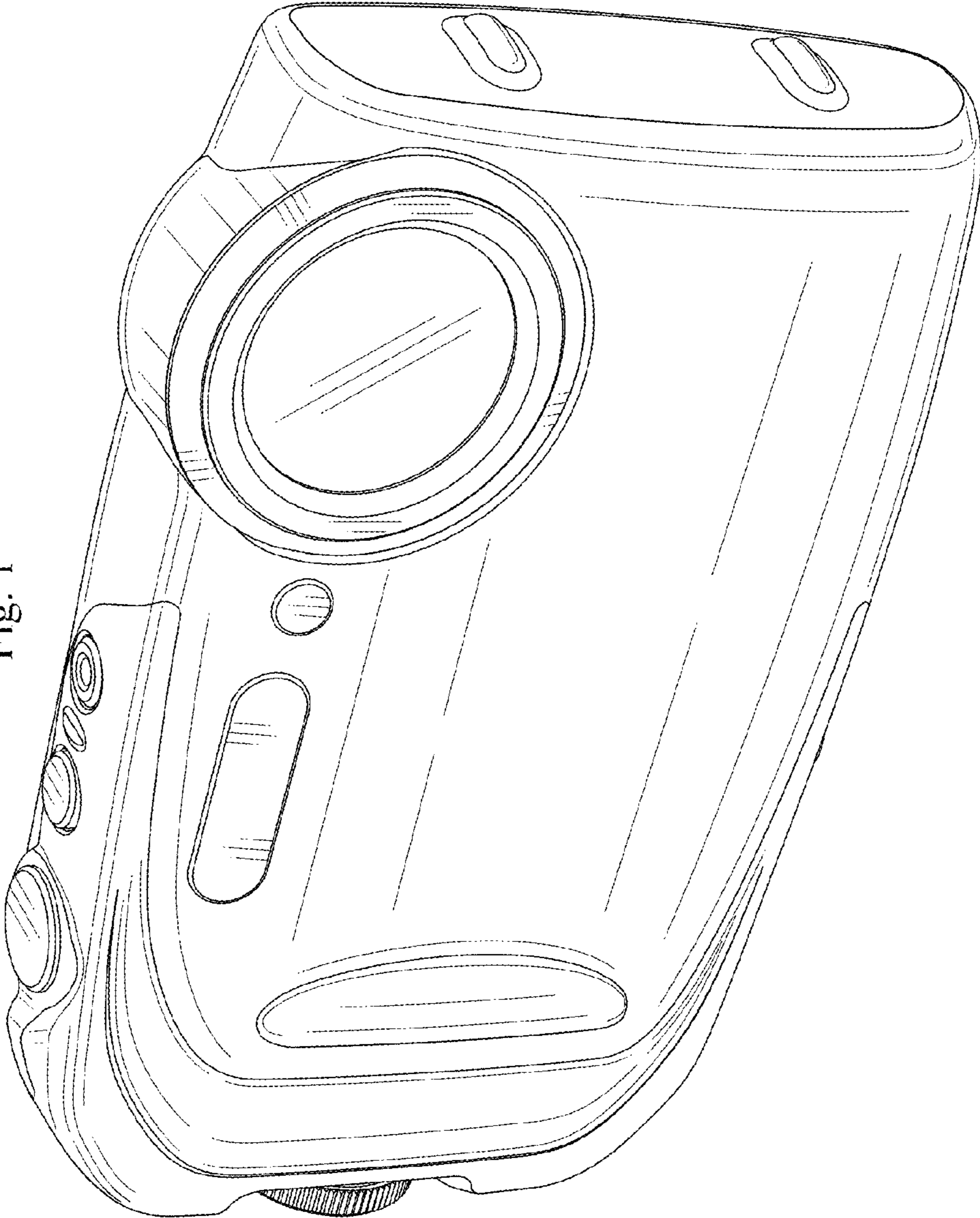


Fig. 2

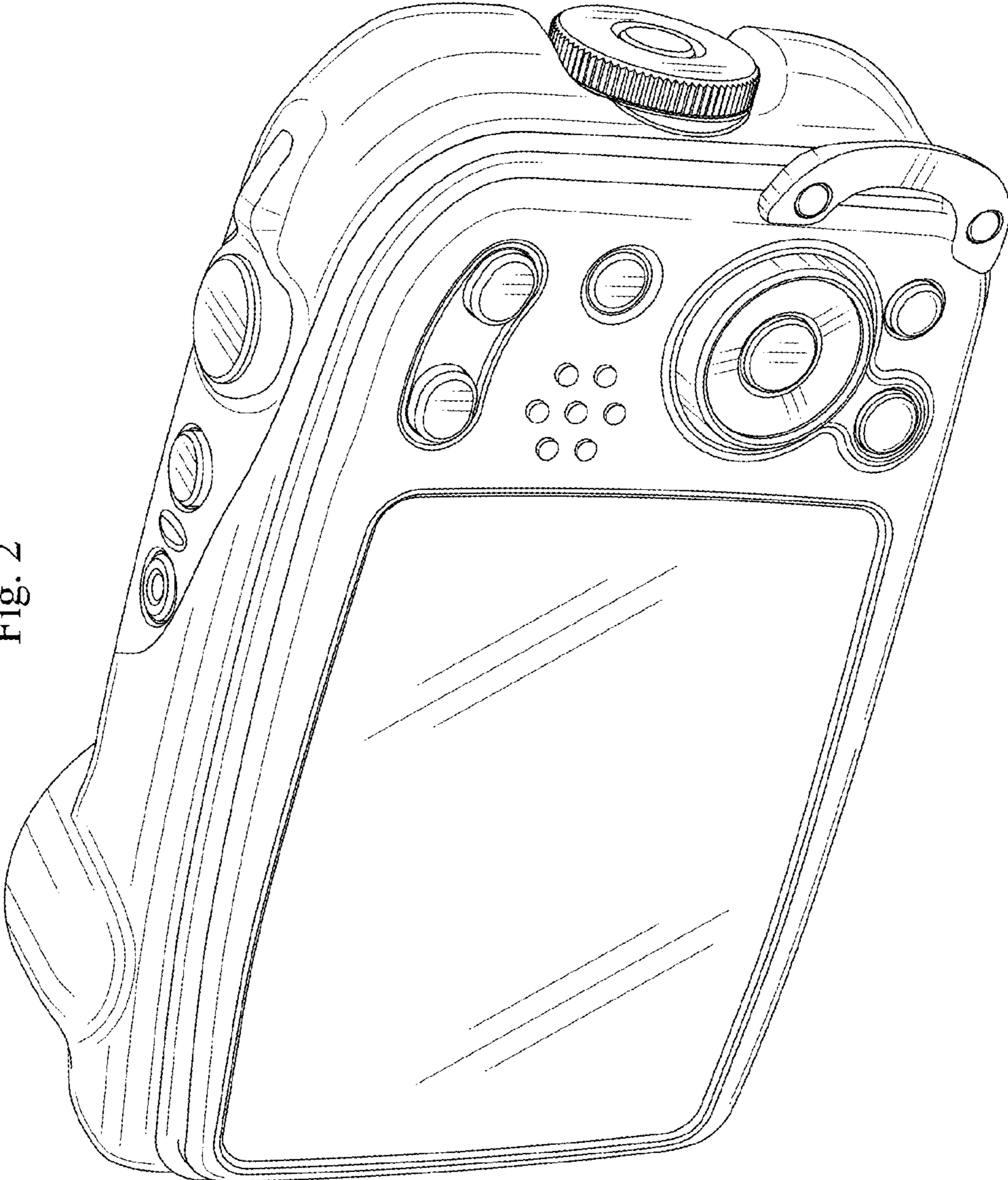


Fig. 3

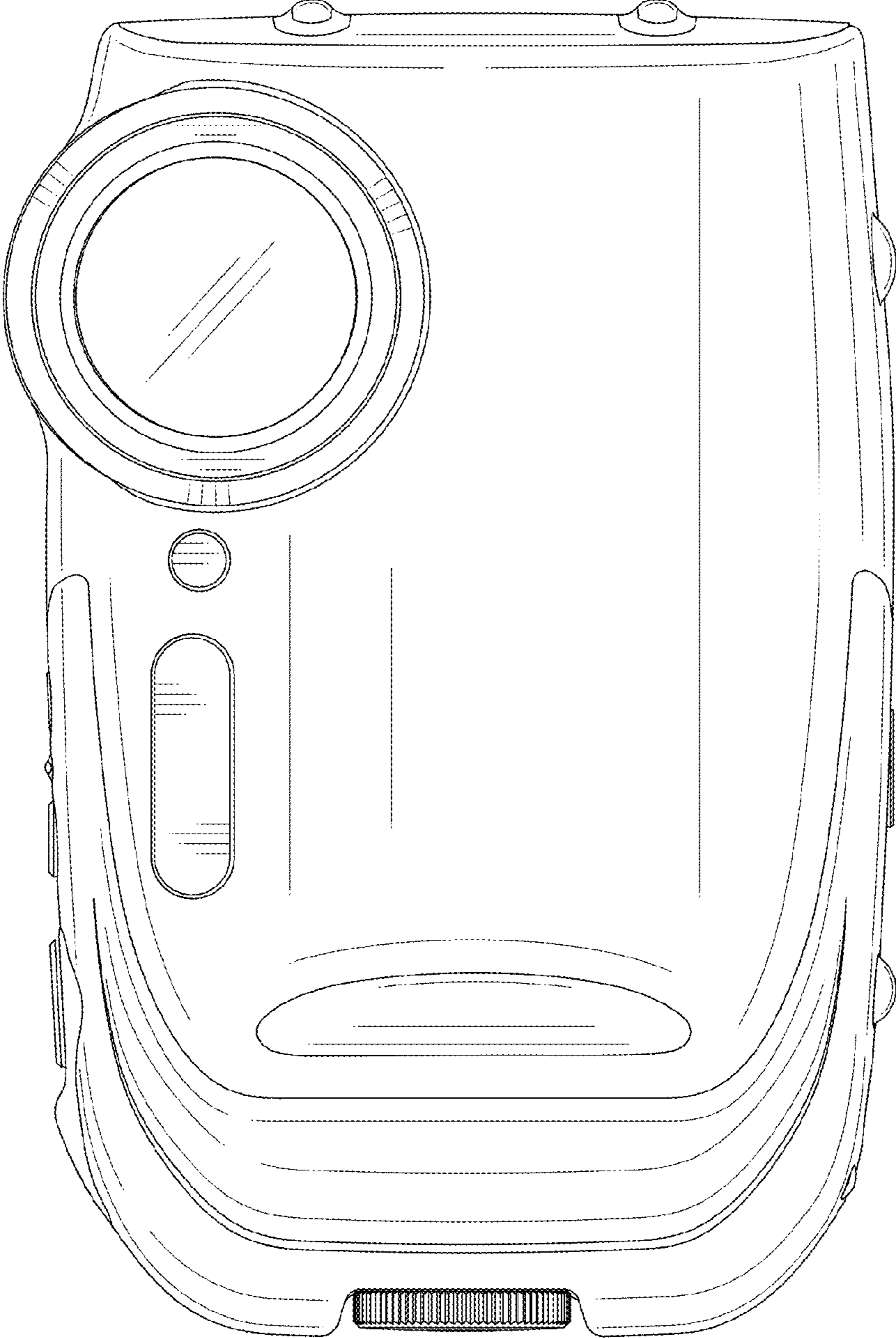


Fig. 4

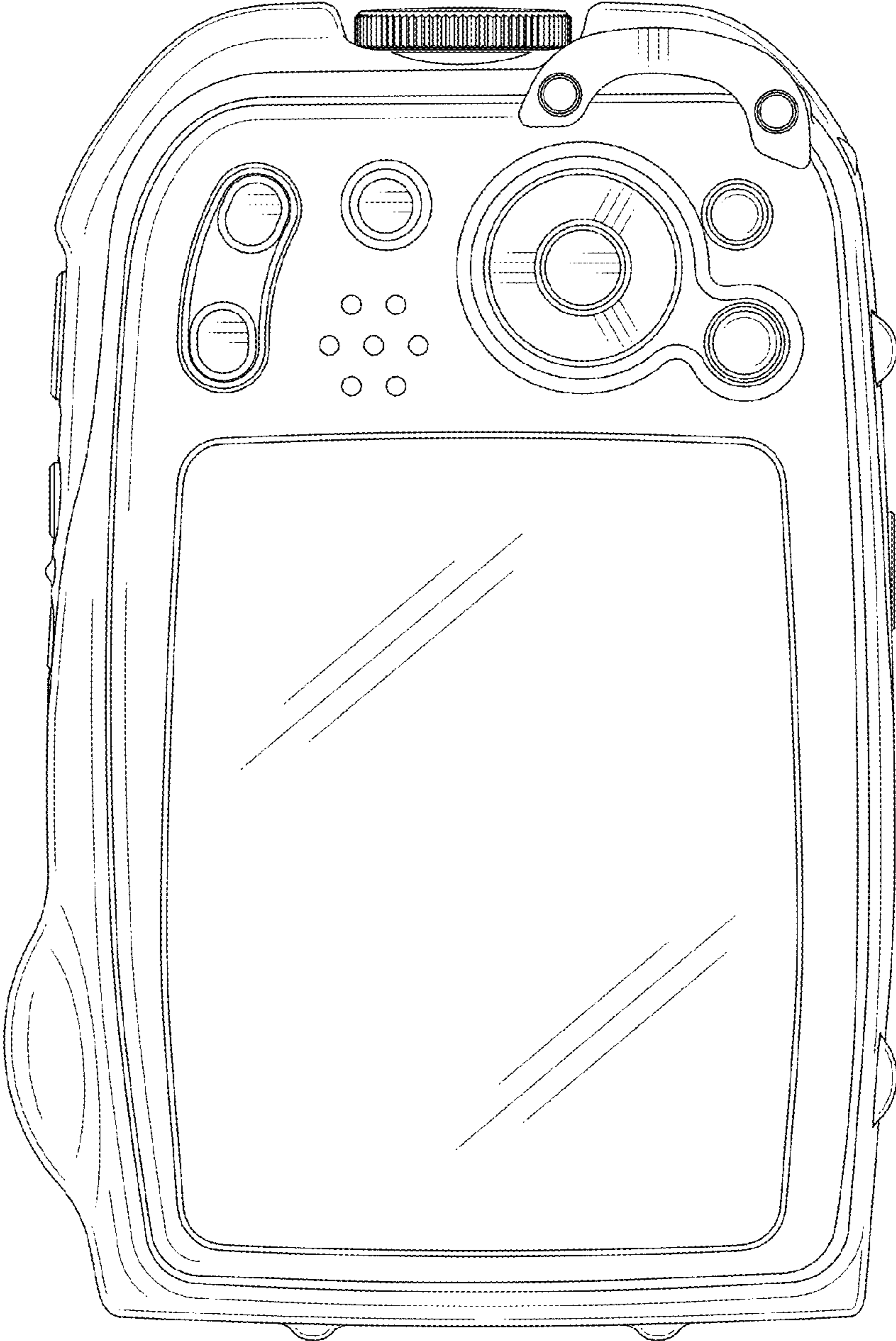


Fig. 6

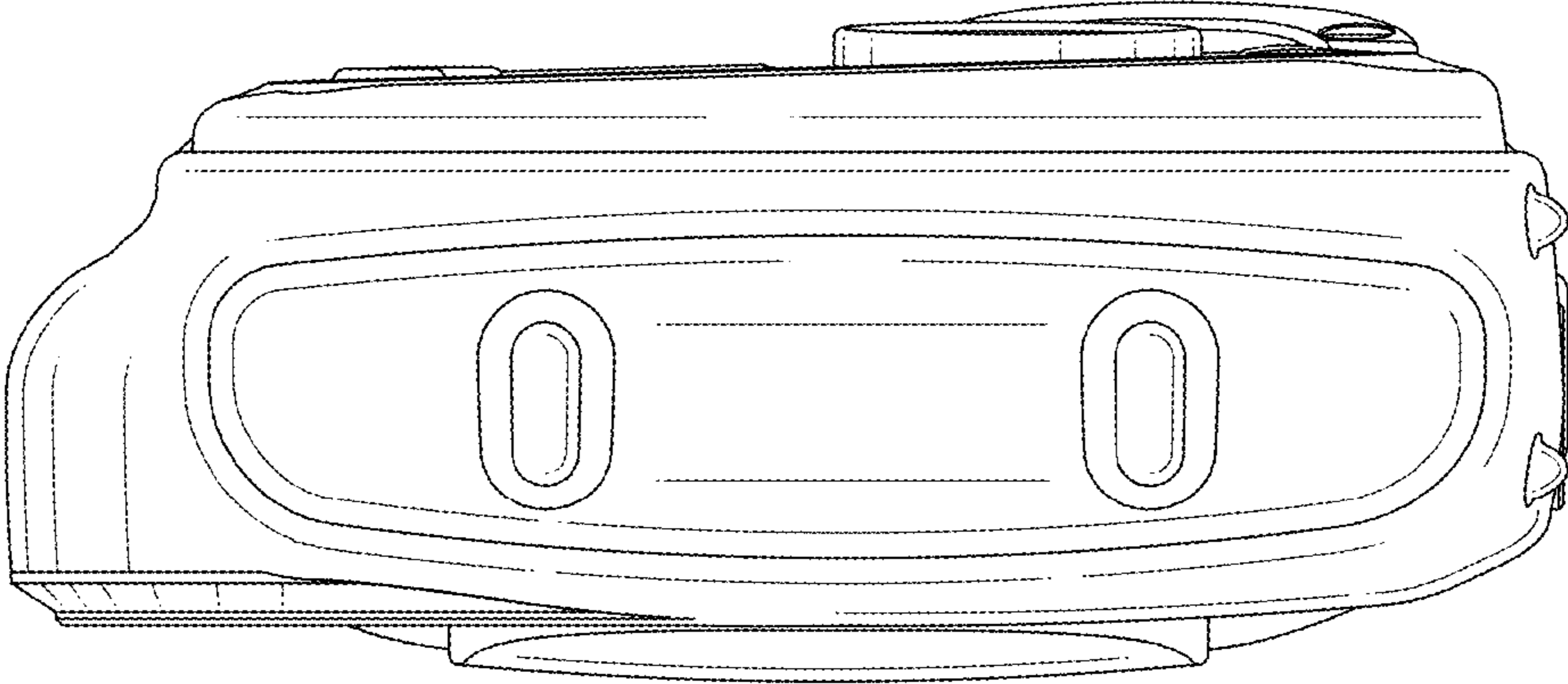


Fig. 5

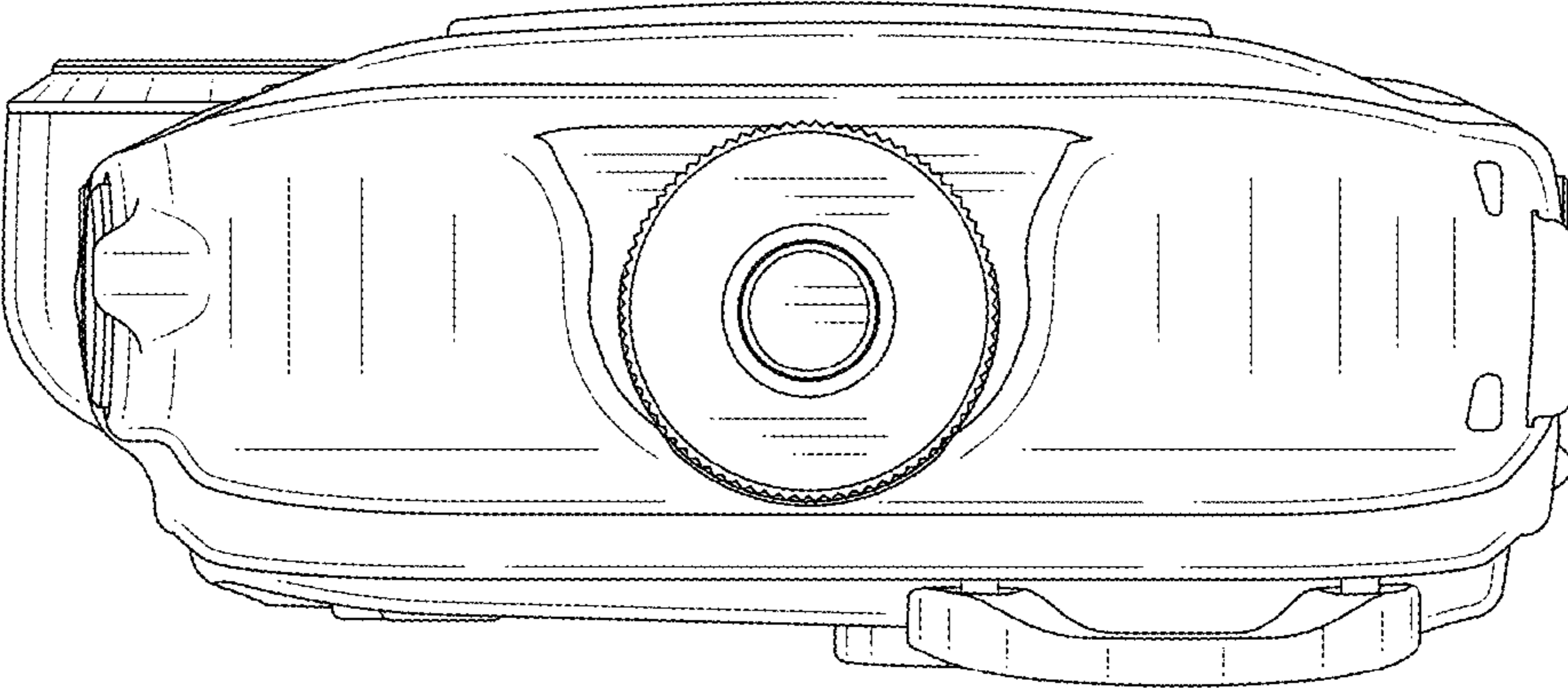


Fig. 7

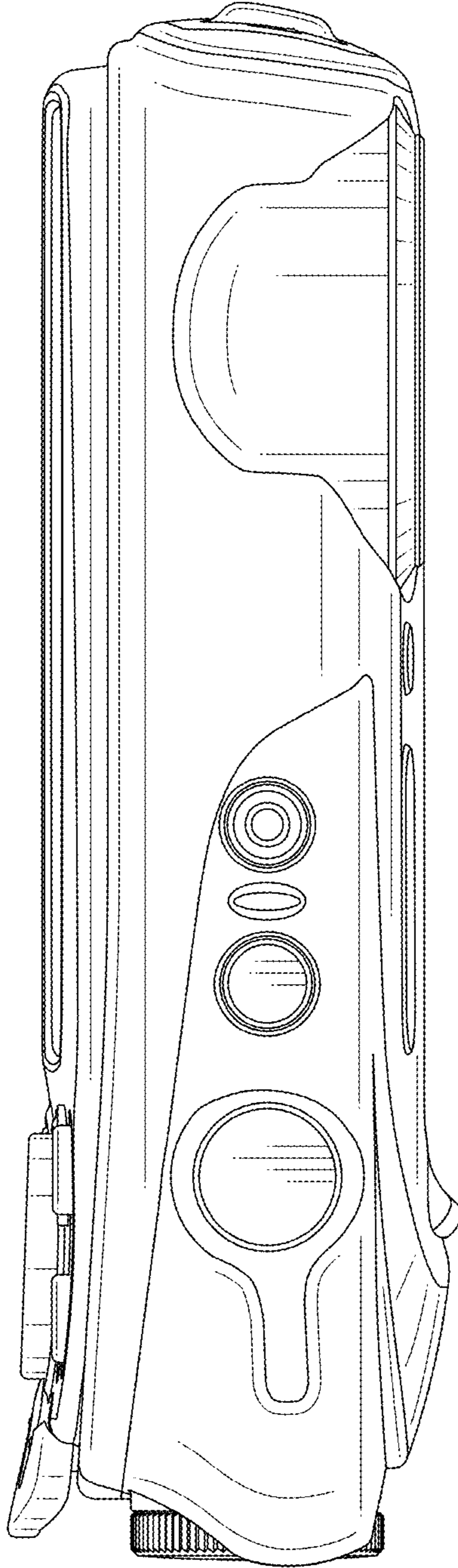


Fig. 8

