



US00D724639S

(12) **United States Design Patent**
Noh

(10) **Patent No.:** **US D724,639 S**
(45) **Date of Patent:** **** Mar. 17, 2015**

(54) **CAMERA**

(71) Applicant: **Samsung Electronics Co., Ltd.**,
Suwon-si (KR)

(72) Inventor: **Kyung-Han Noh**, Seoul (KR)

(73) Assignee: **Samsung Electronics Co., Ltd.**,
Suwon-si (KR)

(**) Term: **14 Years**

(21) Appl. No.: **29/473,690**

(22) Filed: **Nov. 25, 2013**

(30) **Foreign Application Priority Data**

May 28, 2013 (KR) 30-2013-0027647

(51) **LOC (10) Cl.** **16-01**

(52) **U.S. Cl.**
USPC **D16/202; D16/217**

(58) **Field of Classification Search**
CPC G03B 15/03; G03B 17/02; G03B 17/04;
G03B 17/56; G03B 19/04; H04N 5/2251;
H04N 5/2252; H04N 5/2253; H04N 5/2254;
H04N 2101/00

USPC D16/200, 202–206, 208, 217, 218, 219;
348/373–376; 396/176–178, 535,
396/539–541

See application file for complete search history.

(56) **References Cited**

U.S. PATENT DOCUMENTS

6,393,225 B1 * 5/2002 Yamada 396/535
D487,105 S * 2/2004 Takahashi D16/217
D493,809 S * 8/2004 Ogura D16/202
D505,684 S * 5/2005 Gotham et al. D16/202
7,505,682 B2 * 3/2009 Liu 396/177

D594,892 S * 6/2009 Kamiya et al. D16/202
D595,755 S * 7/2009 Funakoshi D16/202
8,131,147 B2 * 3/2012 Kusatsugu 396/535
D690,755 S * 10/2013 Nikaido D16/202
D690,756 S * 10/2013 Giugiaro et al. D16/202
D698,840 S * 2/2014 Nakamura et al. D16/202
D706,849 S * 6/2014 Sakai D16/202
D709,936 S * 7/2014 Sakai D16/202

* cited by examiner

Primary Examiner — Adir Aronovich

Assistant Examiner — Ramzi Almatrahi

(74) *Attorney, Agent, or Firm* — NSIP Law

(57) **CLAIM**

The ornamental design for a camera, as shown and described.

DESCRIPTION

FIG. 1 is a top, front and left side perspective view of a camera showing my new design;

FIG. 2 is a front elevational view thereof;

FIG. 3 is a rear elevational view thereof;

FIG. 4 is a left side elevational view thereof;

FIG. 5 is a right side elevational view thereof;

FIG. 6 is a top plan view thereof;

FIG. 7 is a bottom plan view thereof;

FIG. 8 is a top, rear and right side perspective view thereof;

FIG. 9 is a top, front and right side perspective view thereof;

FIG. 10 is a top, front and right side perspective view thereof, a display shown in an open position;

FIG. 11 is an enlarged view of the encircled portion in FIG. 1; and,

FIG. 12 is an enlarged view of the encircled portion in FIG. 6.

The broken lines depict portions of the camera in which the design is embodied and form no part of the claimed design.

The dot-dash broken lines encircling enlargement portions of the design form no part of the claimed design.

1 Claim, 12 Drawing Sheets

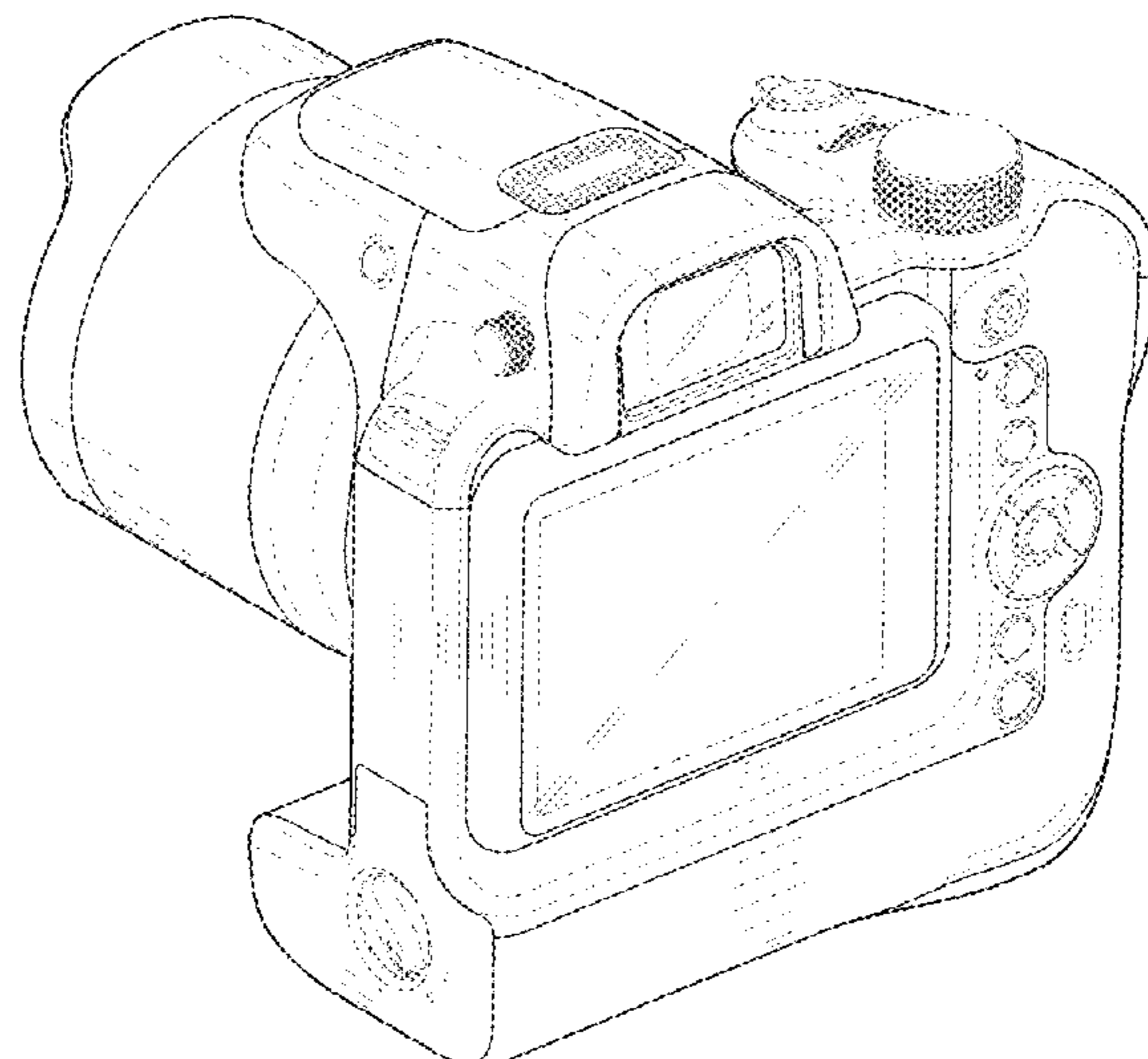
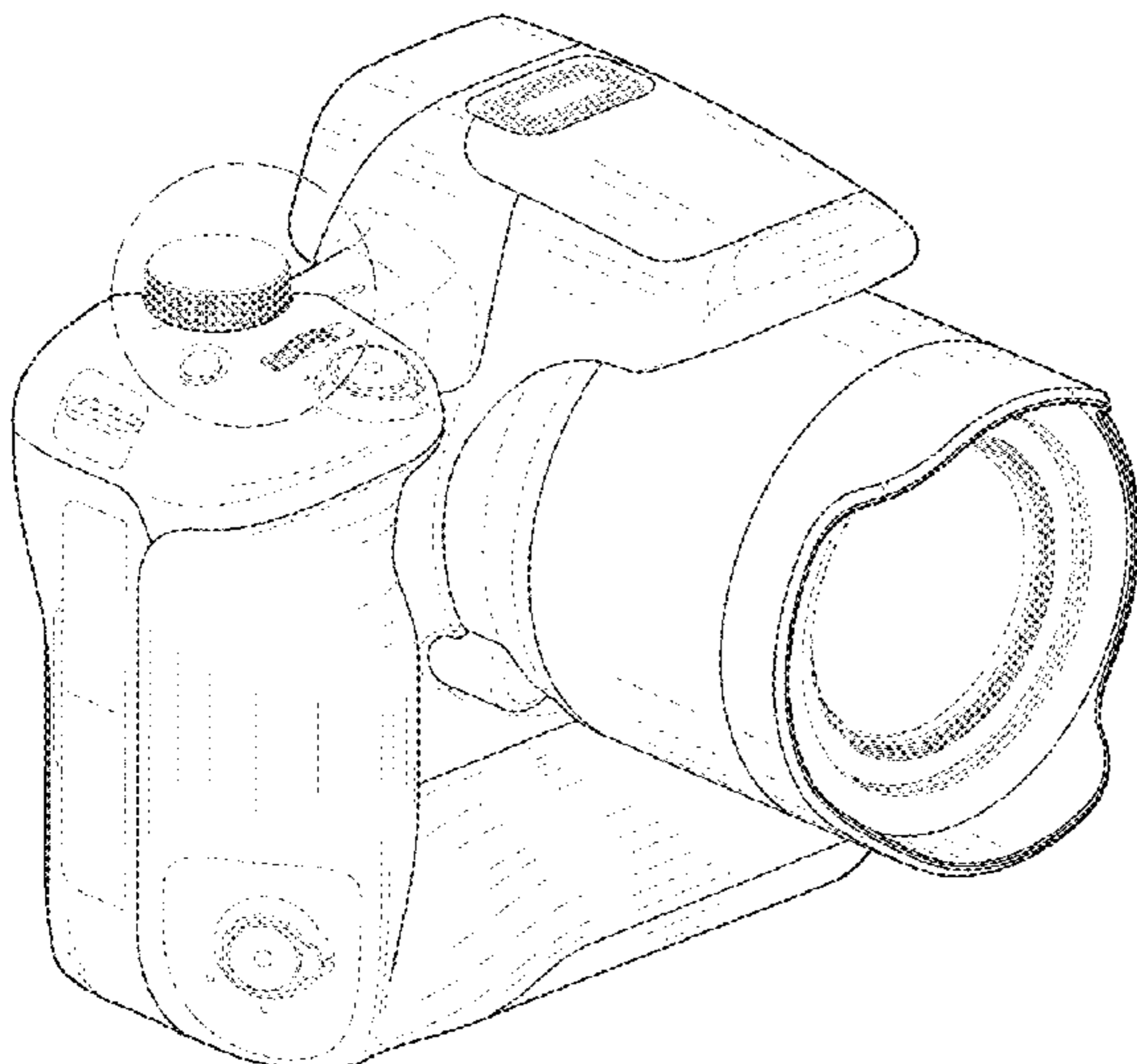


FIG. 1

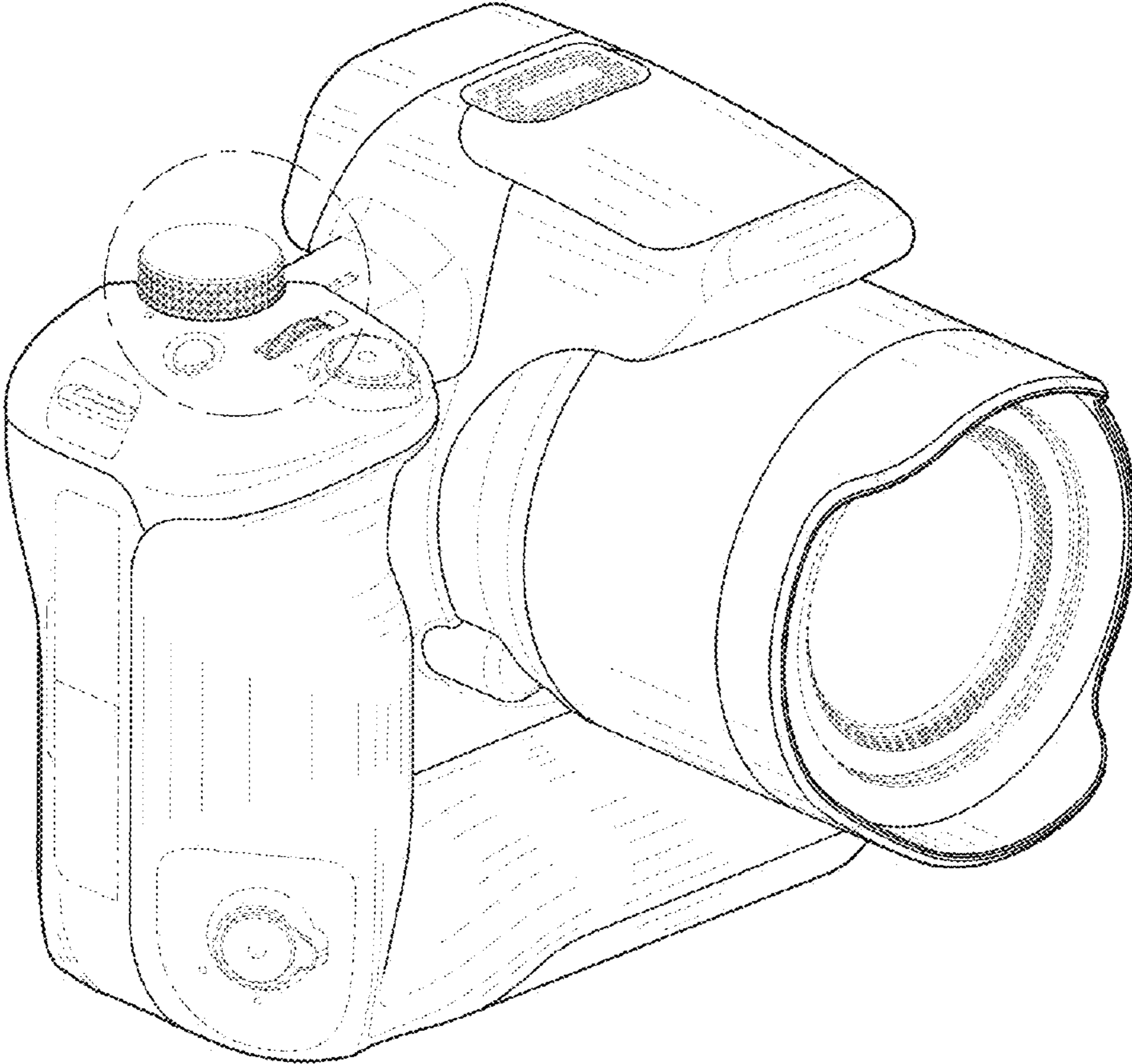


FIG. 2

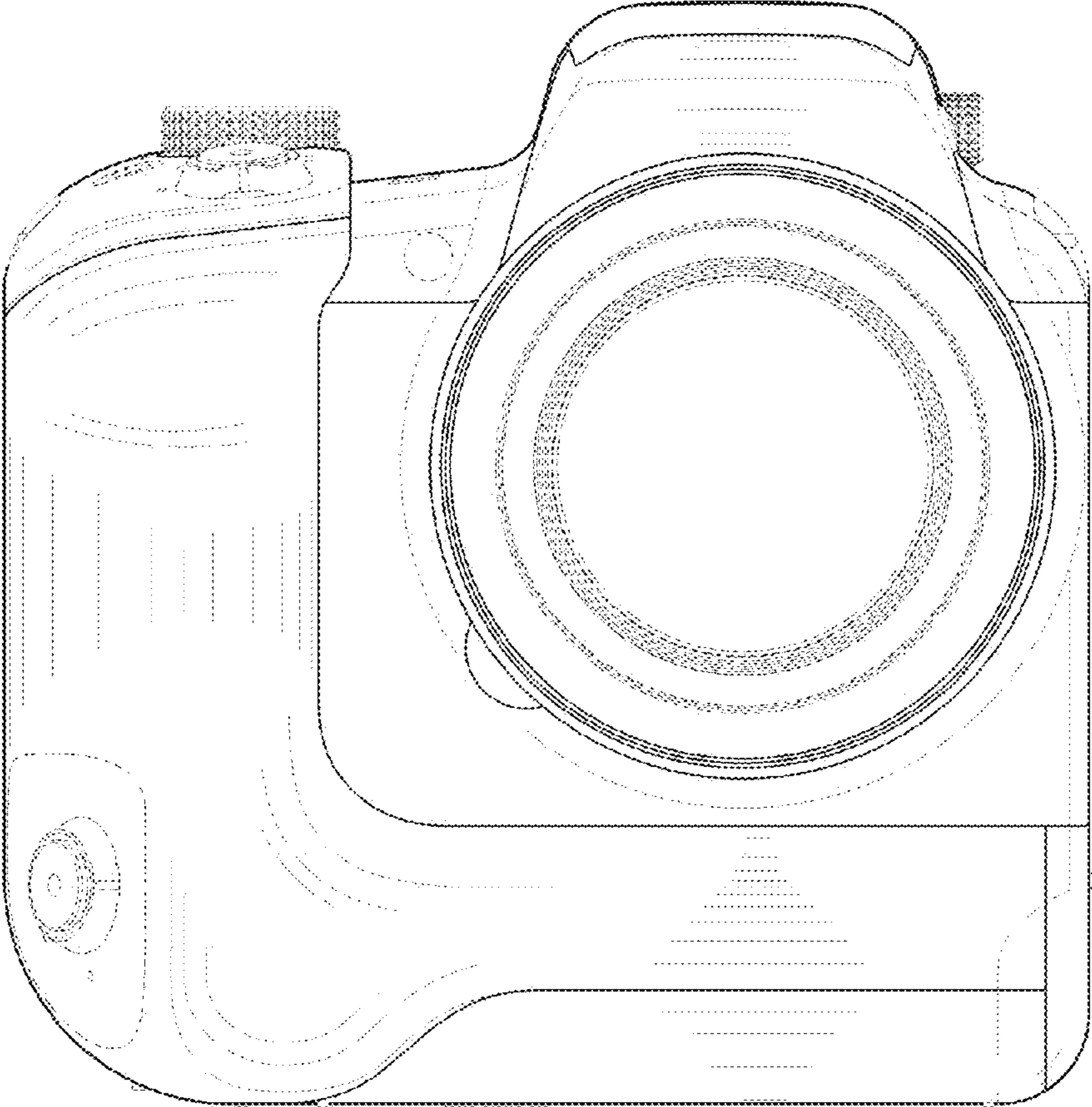


FIG. 3

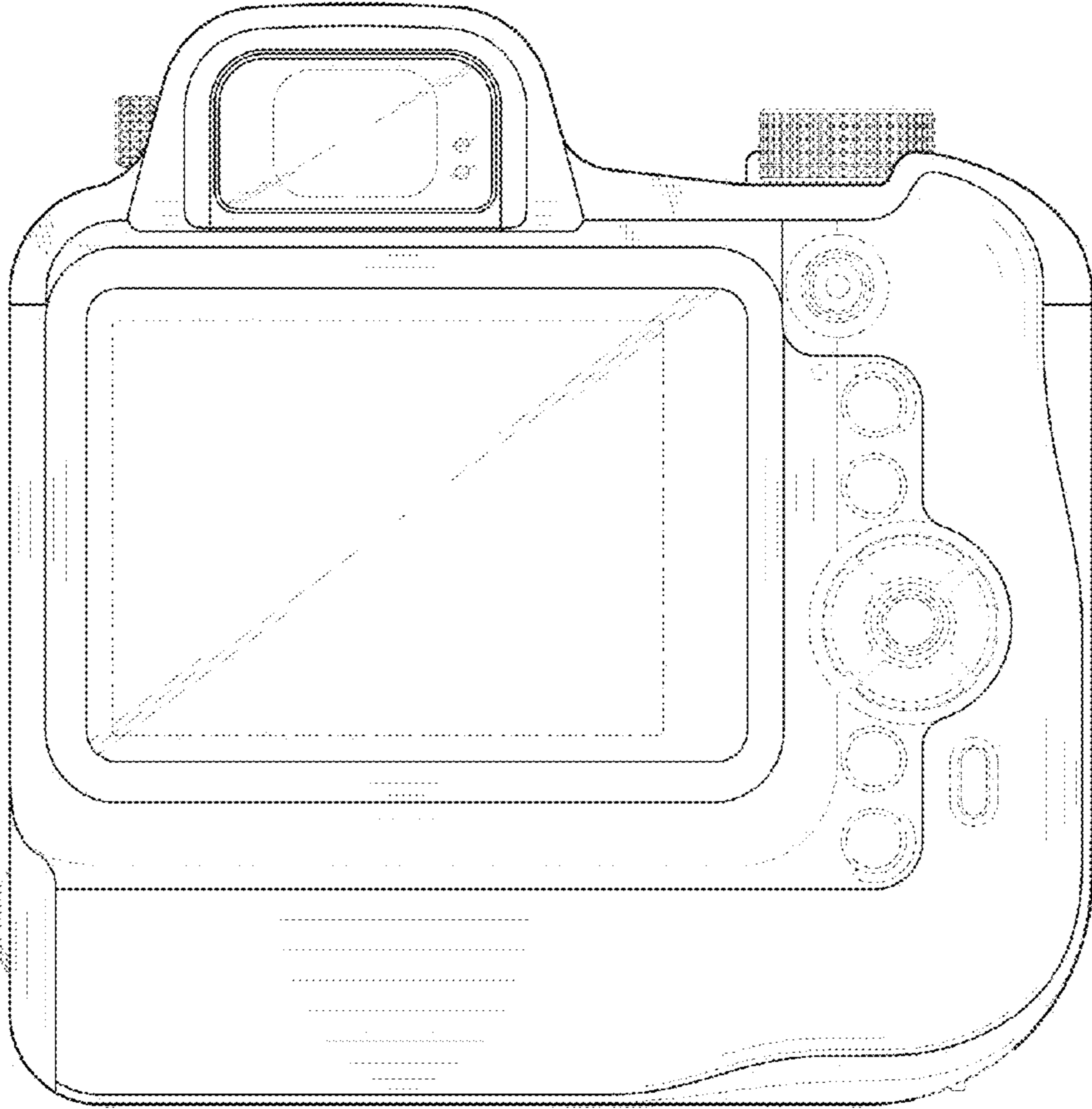


FIG. 4

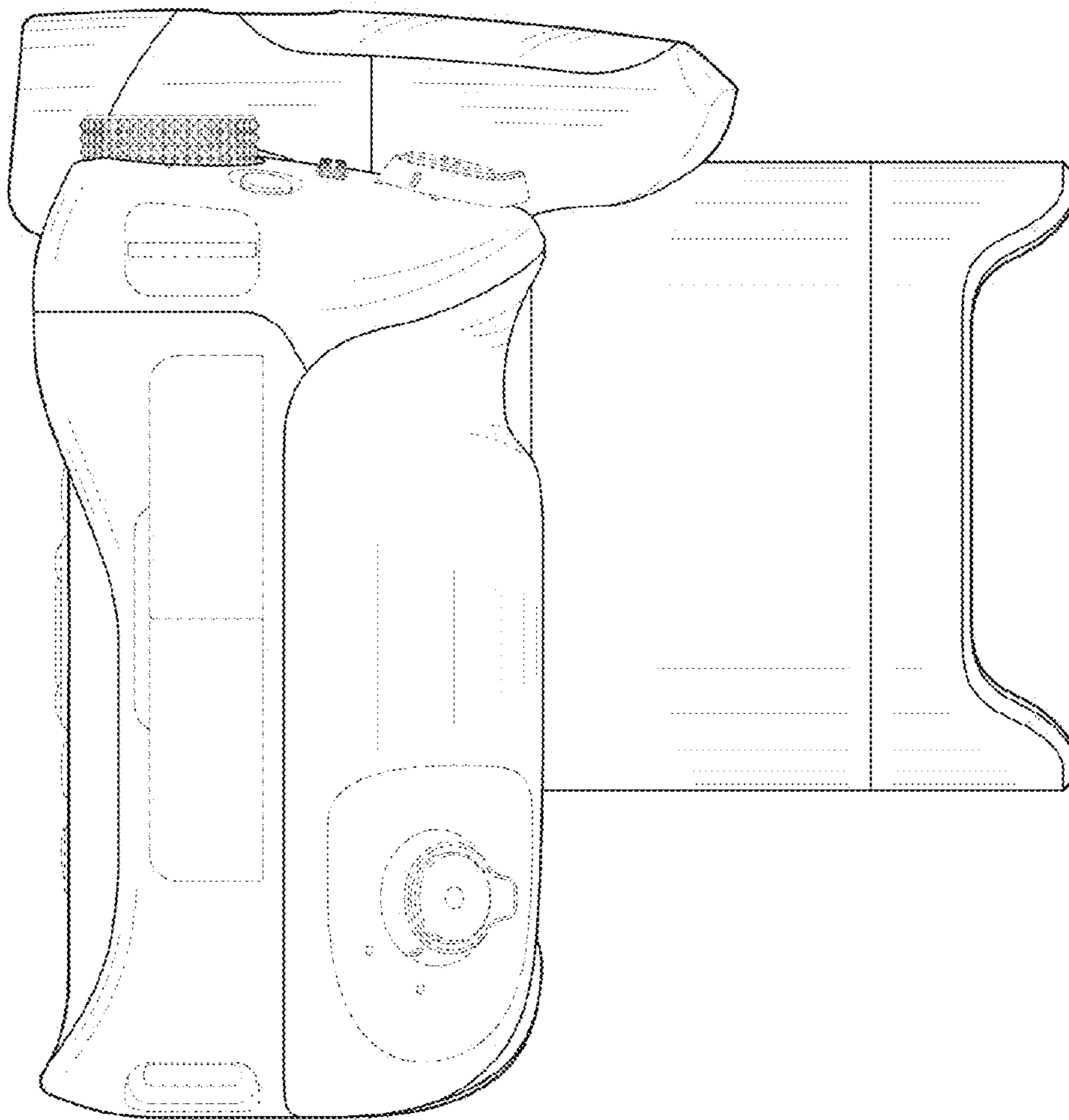


FIG. 5

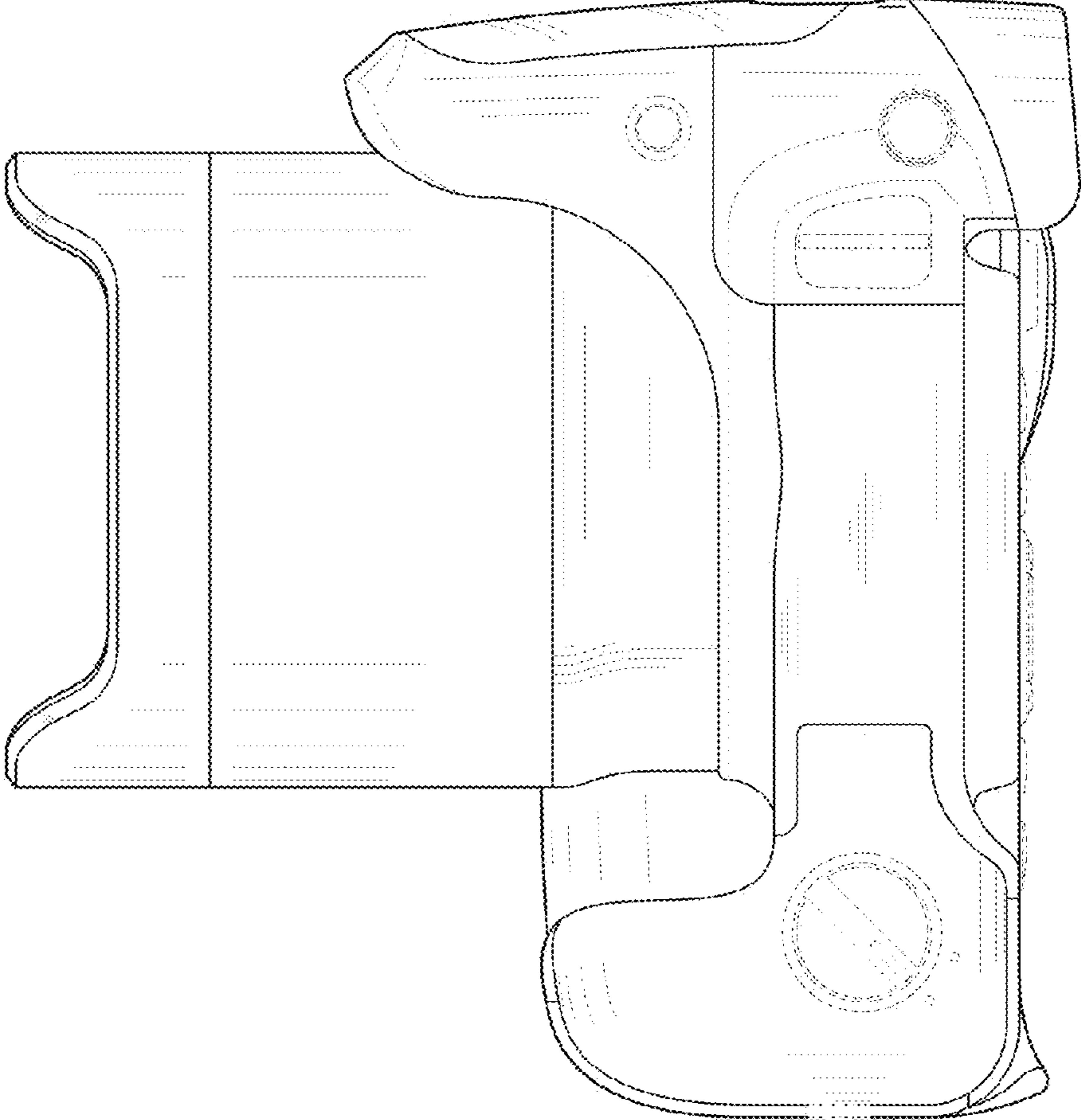


FIG. 6

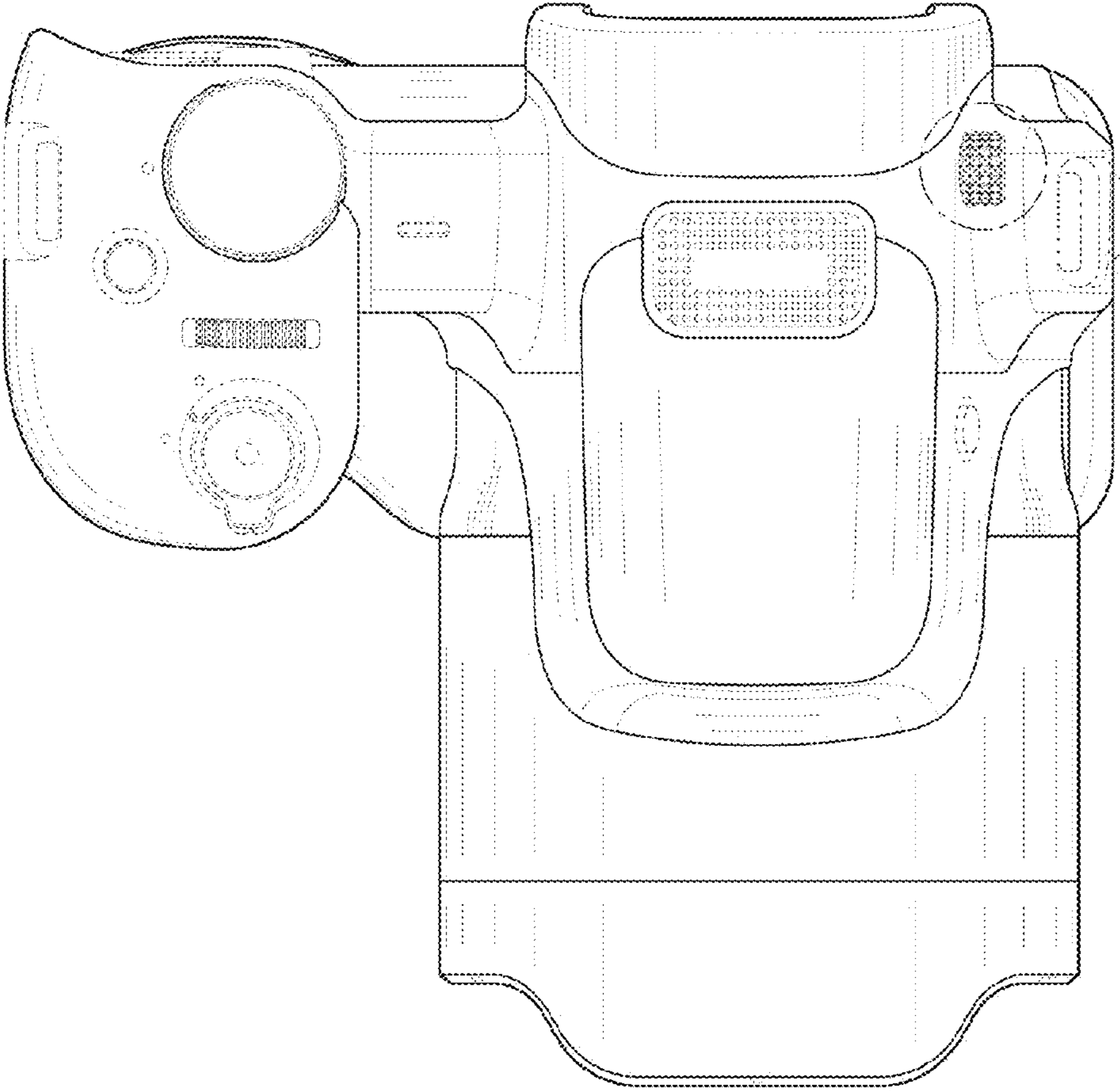


FIG. 7

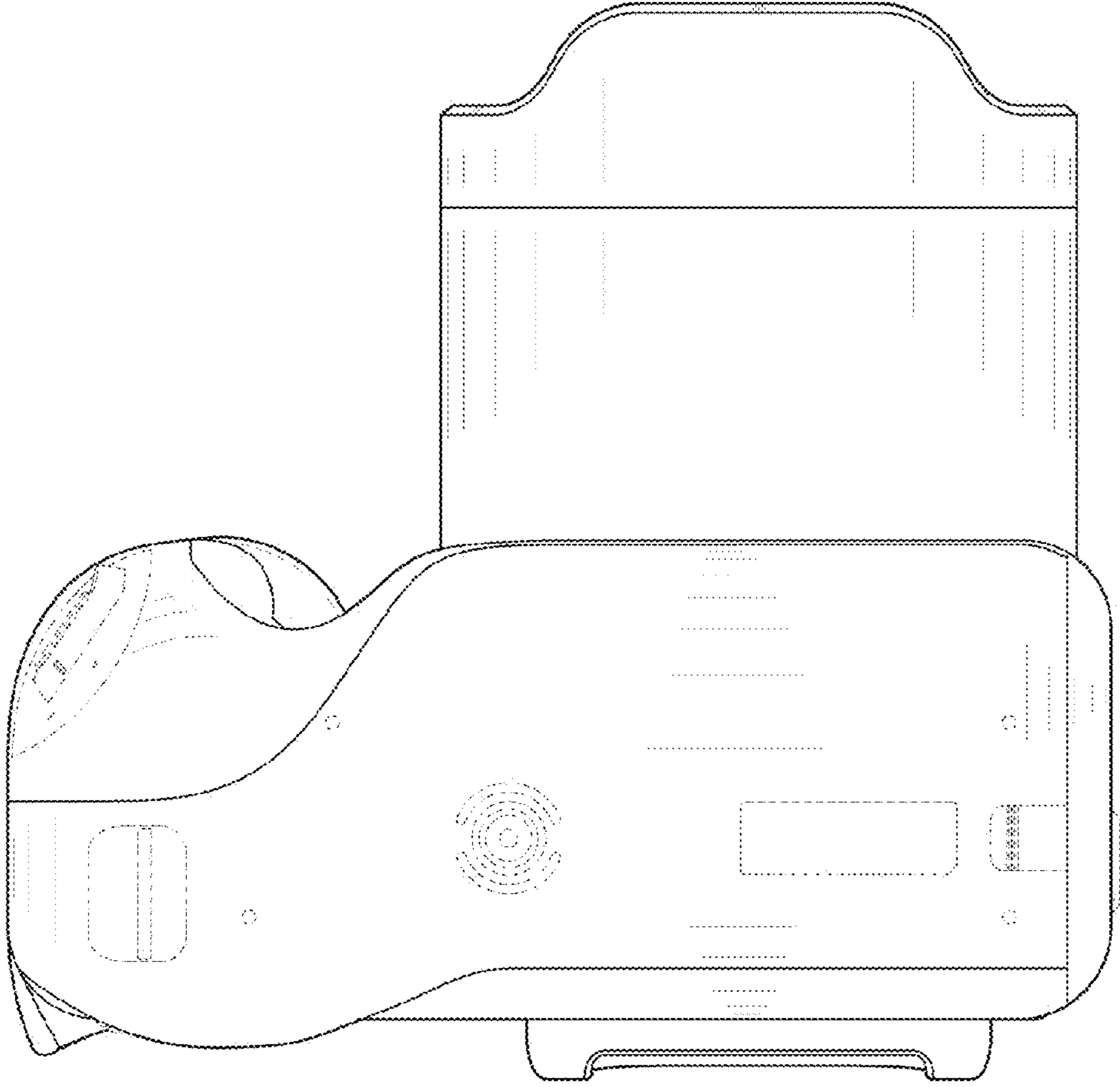


FIG. 8

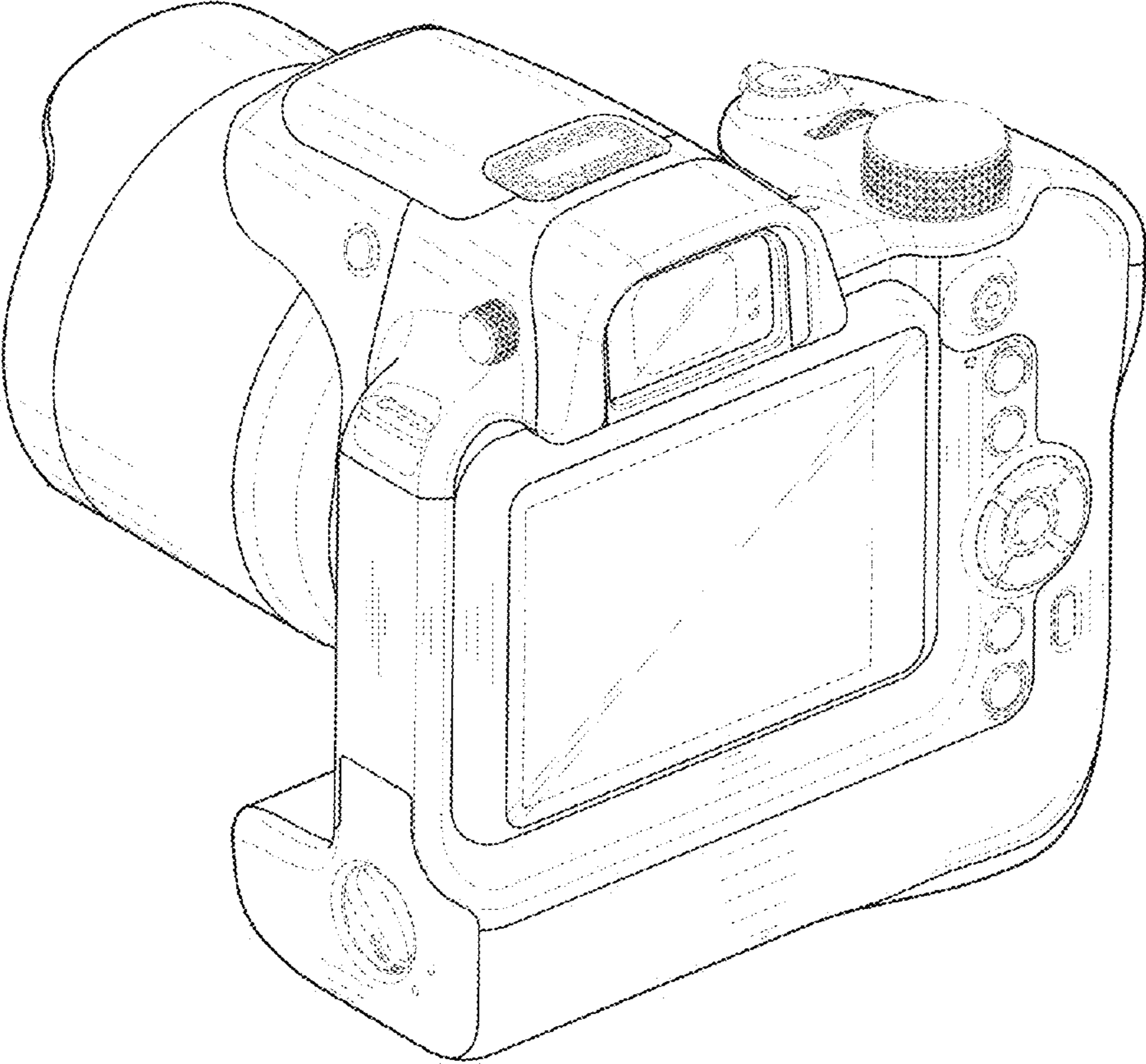


FIG. 9

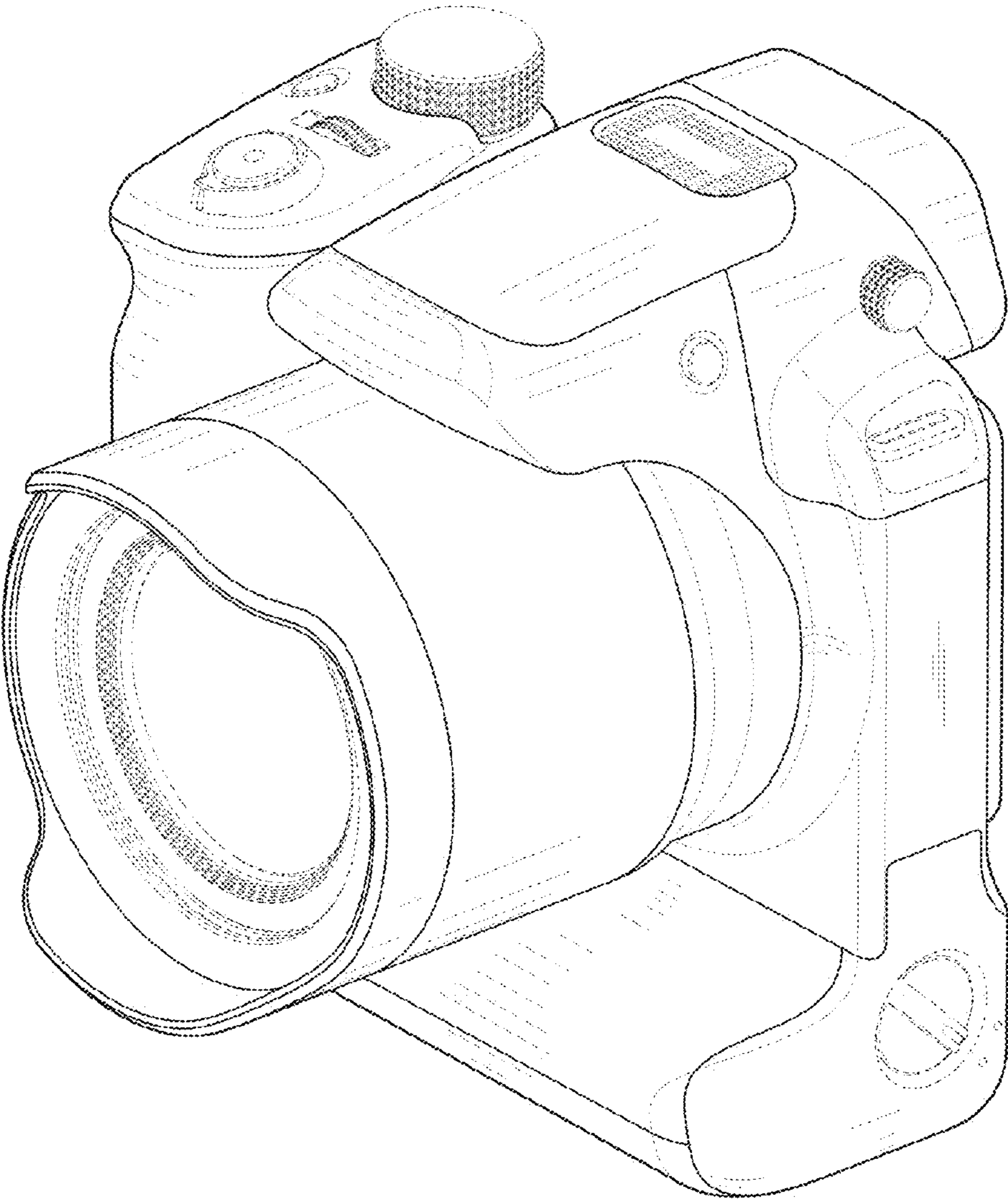


FIG. 10

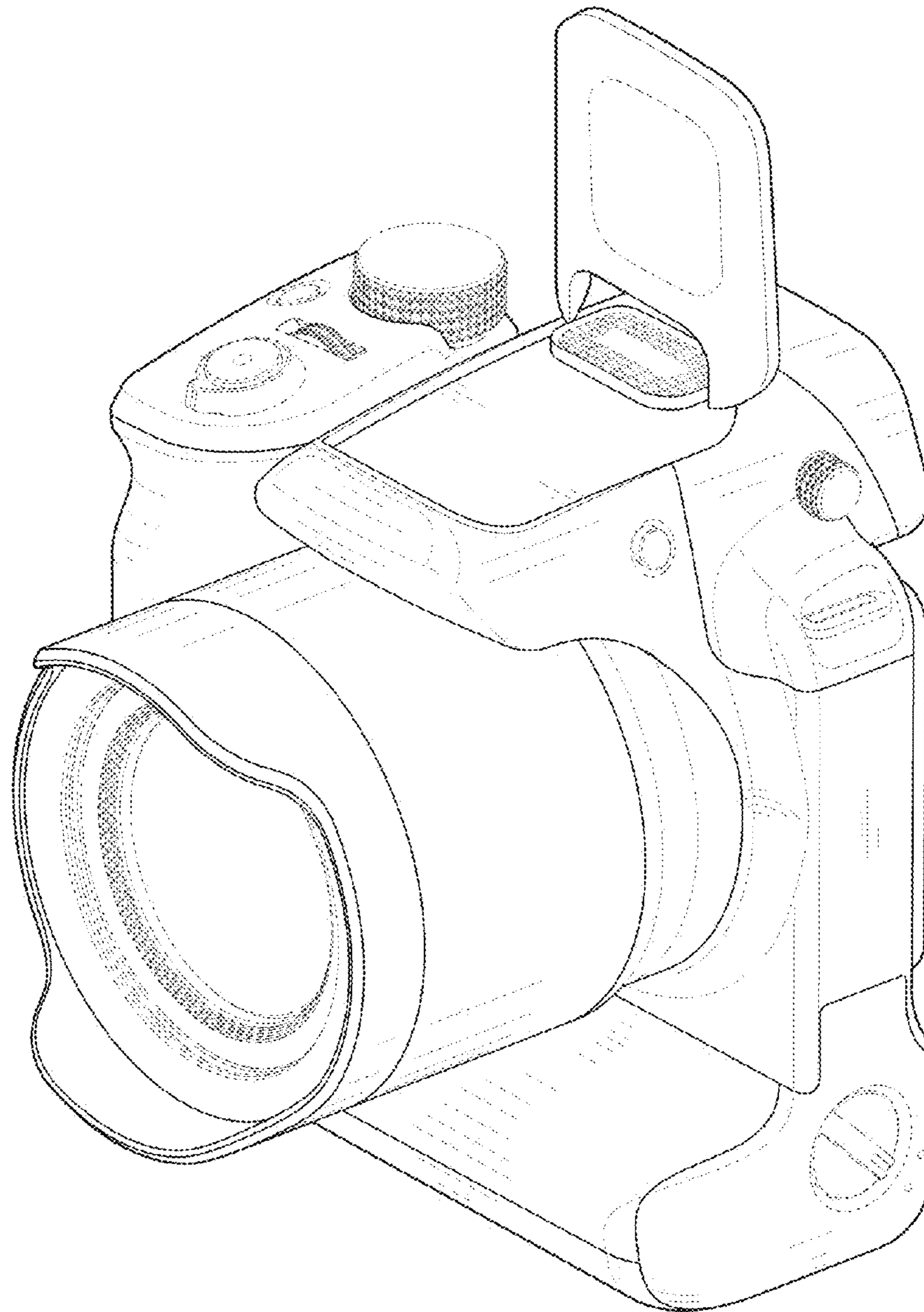


FIG. 11

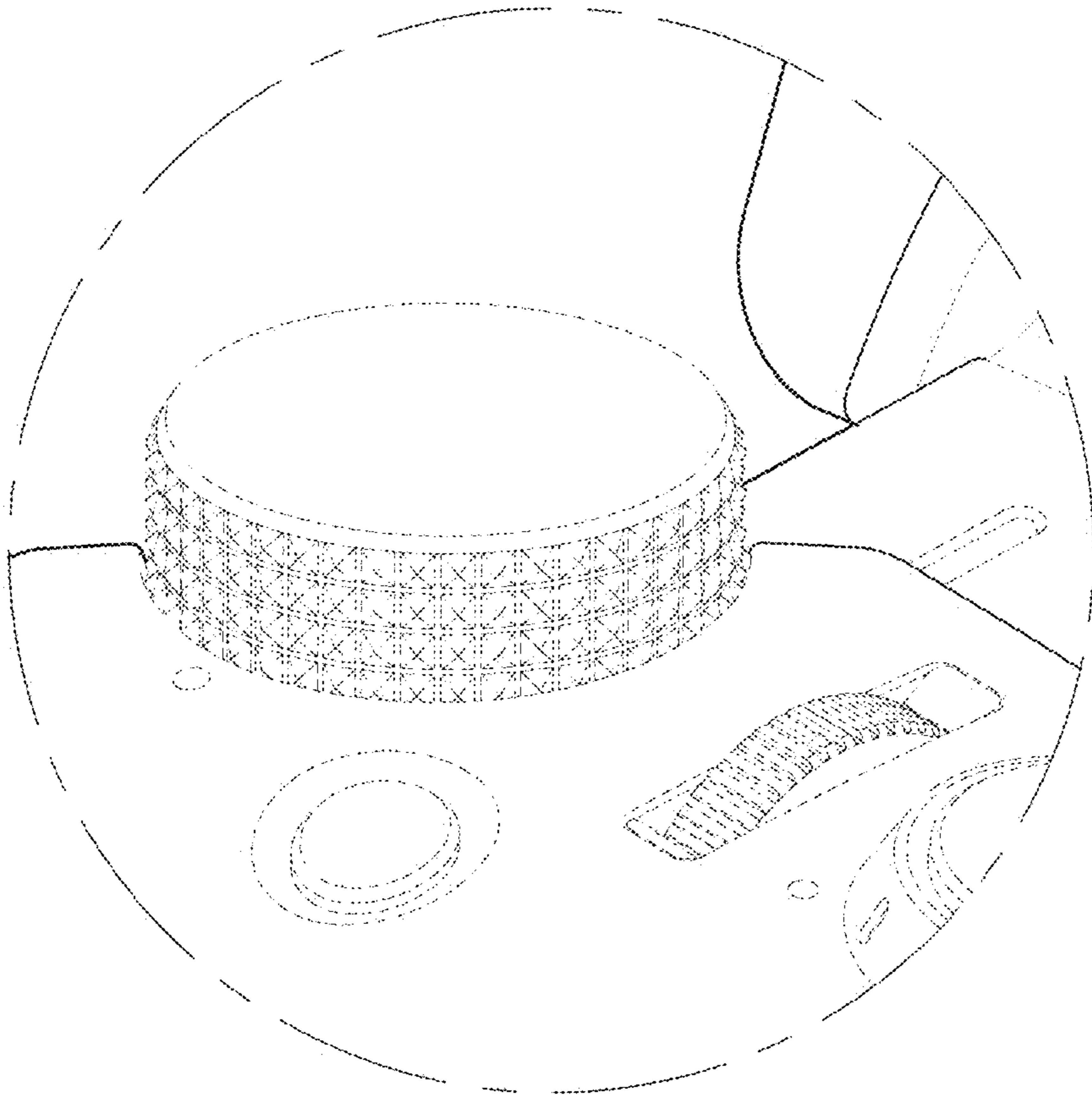


FIG. 12

