



US00D724637S

(12) **United States Design Patent**
Samuels et al.

(10) **Patent No.:** **US D724,637 S**
(45) **Date of Patent:** **** Mar. 17, 2015**

(54) **CAMERA HOUSING**

(71) Applicant: **Woodman Labs, Inc.**, San Mateo, CA (US)

(72) Inventors: **Rudy Lucas Samuels**, Mill Valley, CA (US); **Nicholas D. Woodman**, Sausalito, CA (US); **Fred Bould**, Menlo Park, CA (US); **Kristen Beck**, San Mateo, CA (US)

(73) Assignee: **GoPro, Inc.**, San Mateo, CA (US)

(**) Term: **14 Years**

(21) Appl. No.: **29/478,255**

(22) Filed: **Jan. 2, 2014**

Related U.S. Application Data

(63) Continuation of application No. 29/434,200, filed on Oct. 10, 2012, now Pat. No. Des. 699,277.

(51) **LOC (10) Cl.** **16-01**

(52) **U.S. Cl.**
USPC **D16/200**

(58) **Field of Classification Search**
USPC D16/200, 202, 203, 204, 208, 218;
348/373; 396/6, 25, 419, 535, 540, 541
See application file for complete search history.

(56) **References Cited**

U.S. PATENT DOCUMENTS

679,881 A	8/1901	Bullard	
1,467,556 A	9/1923	August	
5,325,139 A *	6/1994	Matsumoto	396/6
5,353,079 A *	10/1994	Sakai et al.	396/6
5,576,781 A *	11/1996	Deleeuw	396/6

D441,386 S	5/2001	Yamazaki	
D491,968 S	6/2004	Isshiki	
D582,955 S	12/2008	Sekine et al.	
7,537,399 B2	5/2009	Mayumi	
D616,480 S	5/2010	Ookawa et al.	
8,014,656 B2 *	9/2011	Woodman	396/25
D646,313 S	10/2011	Woodman	
D674,428 S *	1/2013	Woodman	D16/218
8,596,890 B2 *	12/2013	Yim et al.	396/419
D702,747 S *	4/2014	Woodman et al.	D16/200
D710,921 S *	8/2014	Gioscia et al.	D16/218

* cited by examiner

Primary Examiner — Adir Aronovich

(74) *Attorney, Agent, or Firm* — Fenwick & West LLP

(57) **CLAIM**

The ornamental design for a camera housing, as shown and described.

DESCRIPTION

FIG. 1 is a front, top and left side perspective view of a camera housing showing our new design;

FIG. 2 is a rear, bottom and right side perspective view thereof;

FIG. 3 is a front and top perspective view thereof;

FIG. 4 is a front elevational view thereof;

FIG. 5 is a rear elevational view thereof;

FIG. 6 is a top plan view thereof;

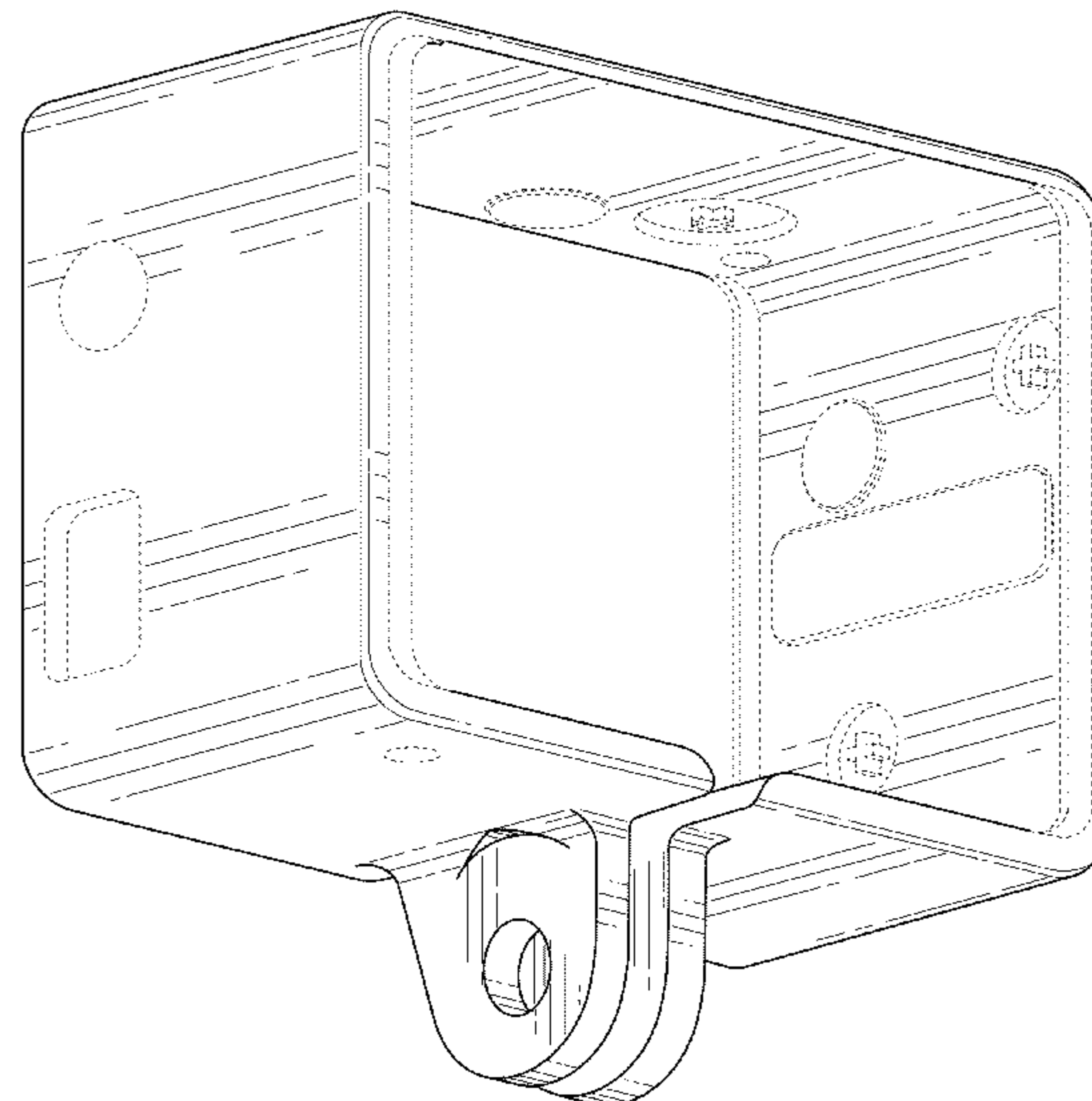
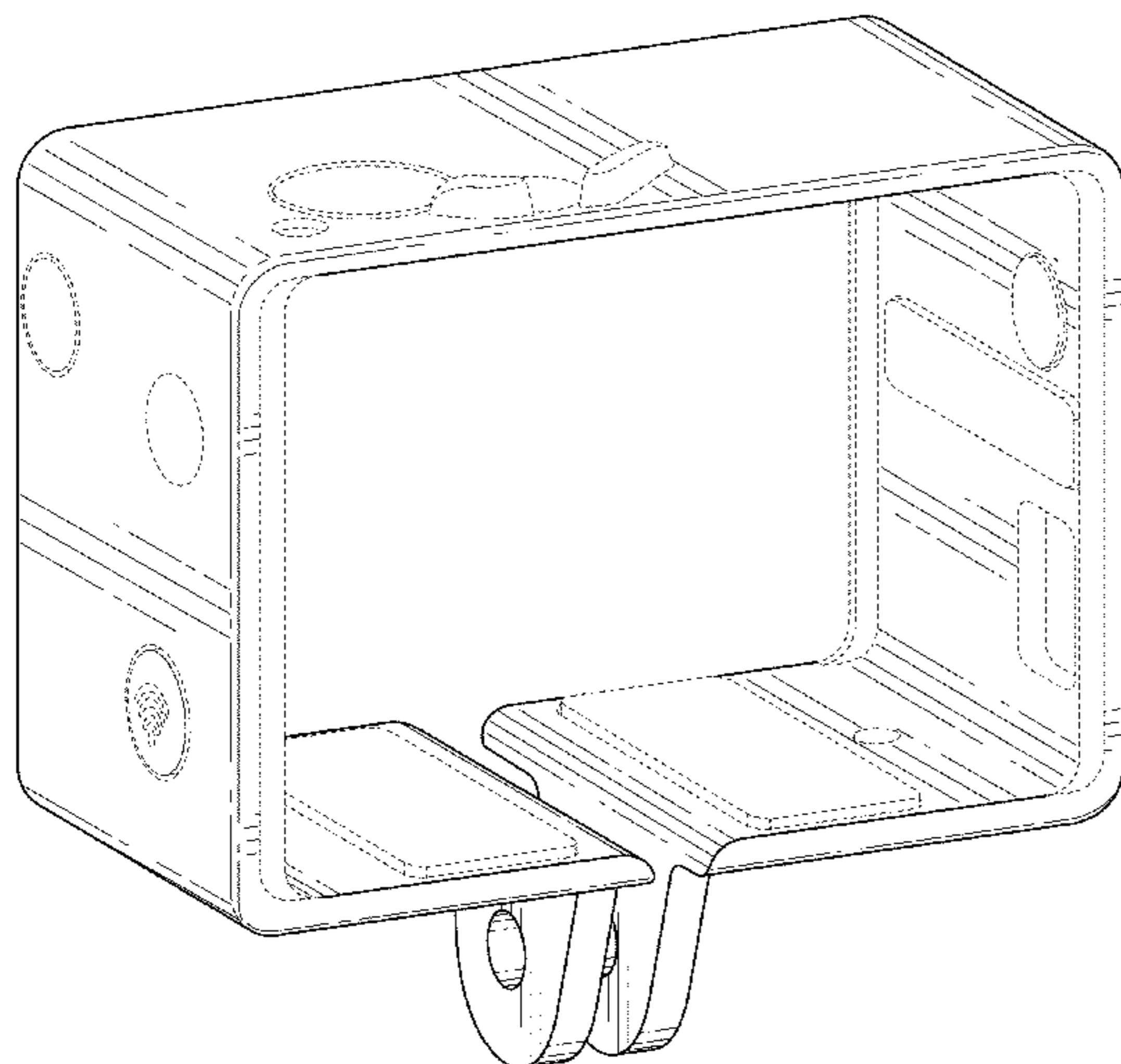
FIG. 7 is a bottom plan view thereof;

FIG. 8 is a left side elevational view thereof; and,

FIG. 9 is a right side elevational view thereof.

The broken lines in the drawings showing portions of the camera housing are included for the purpose of illustrating environmental structure and form no part of the claimed design.

1 Claim, 8 Drawing Sheets



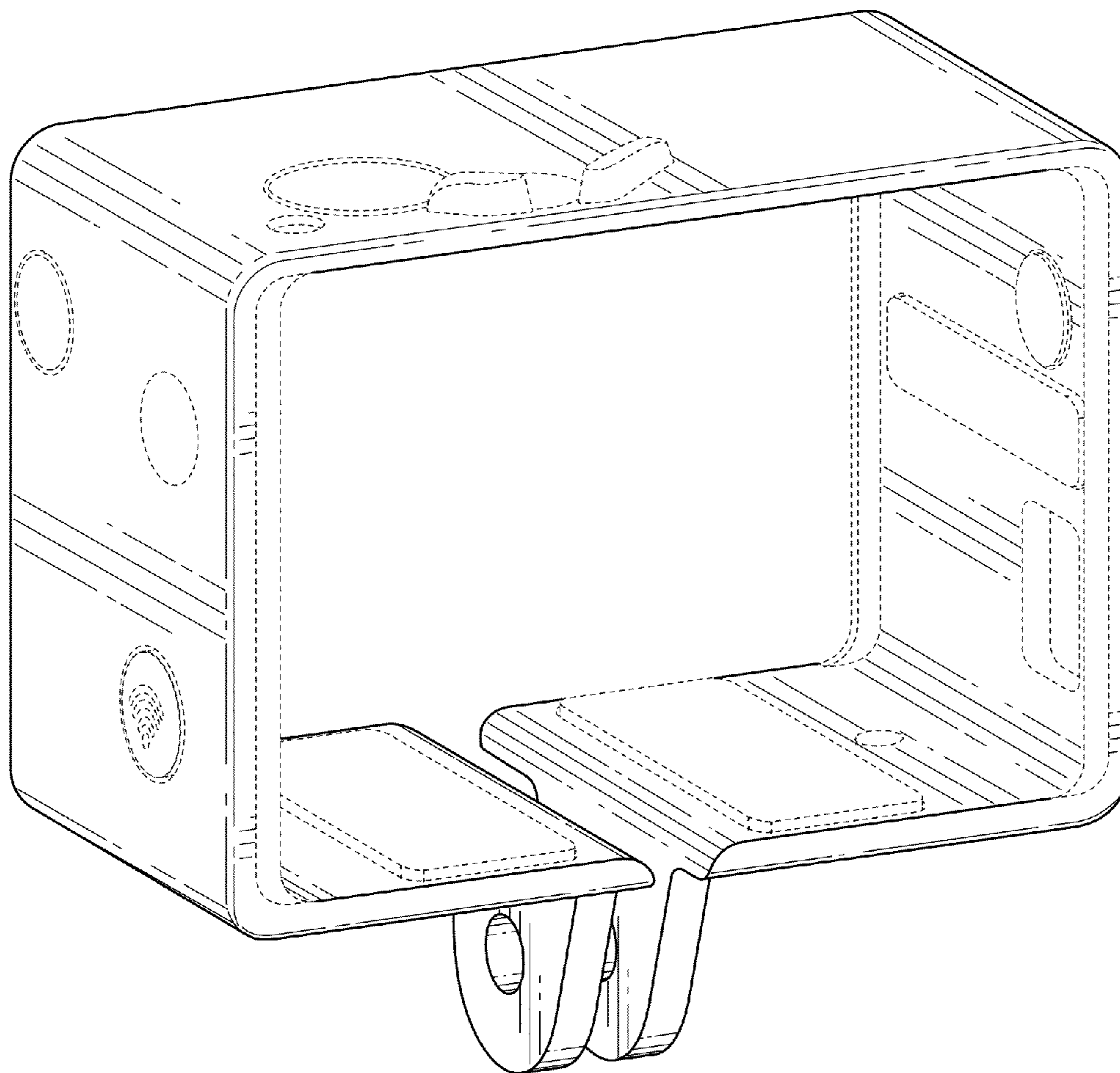


FIG. 1

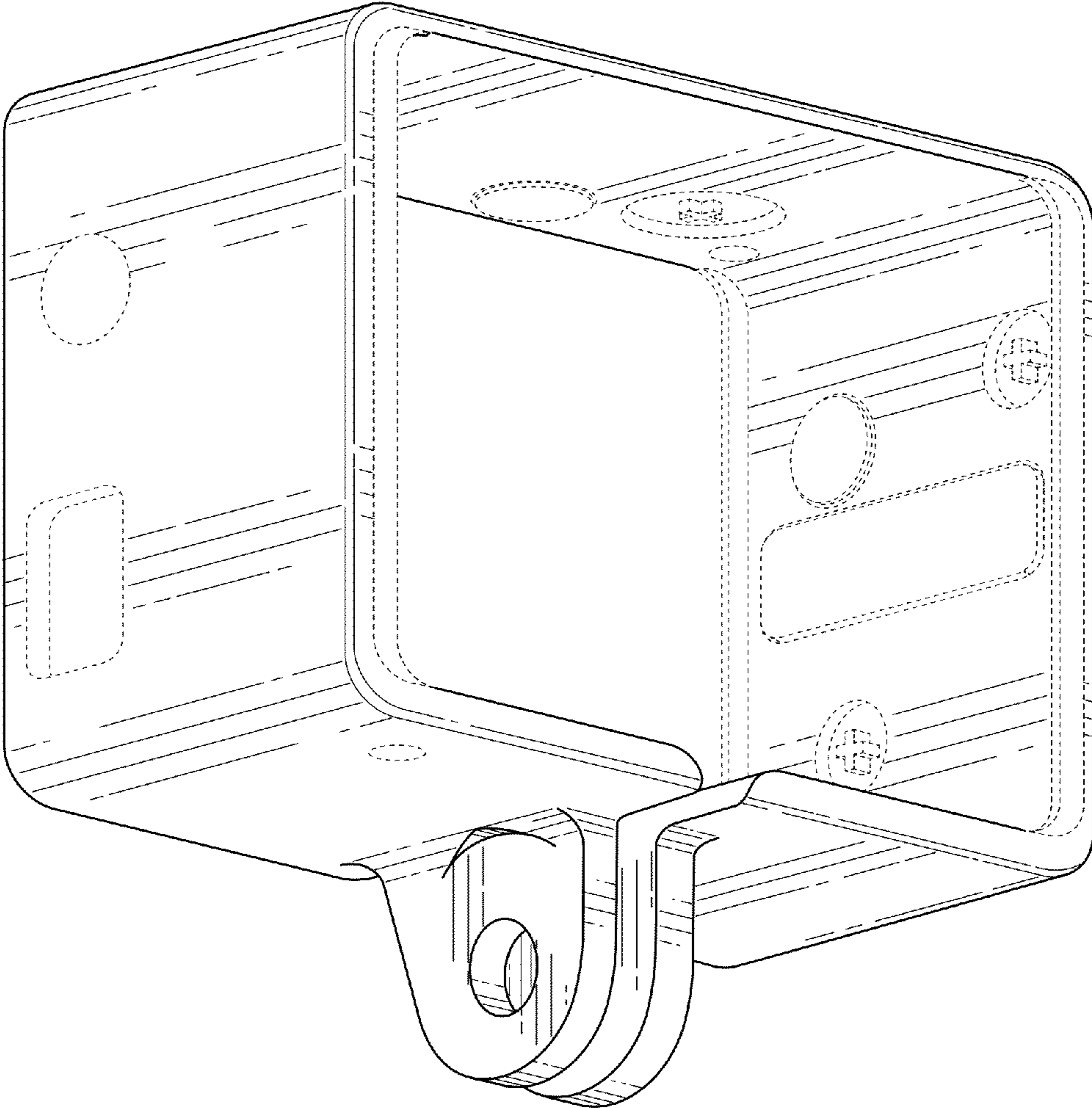


FIG. 2

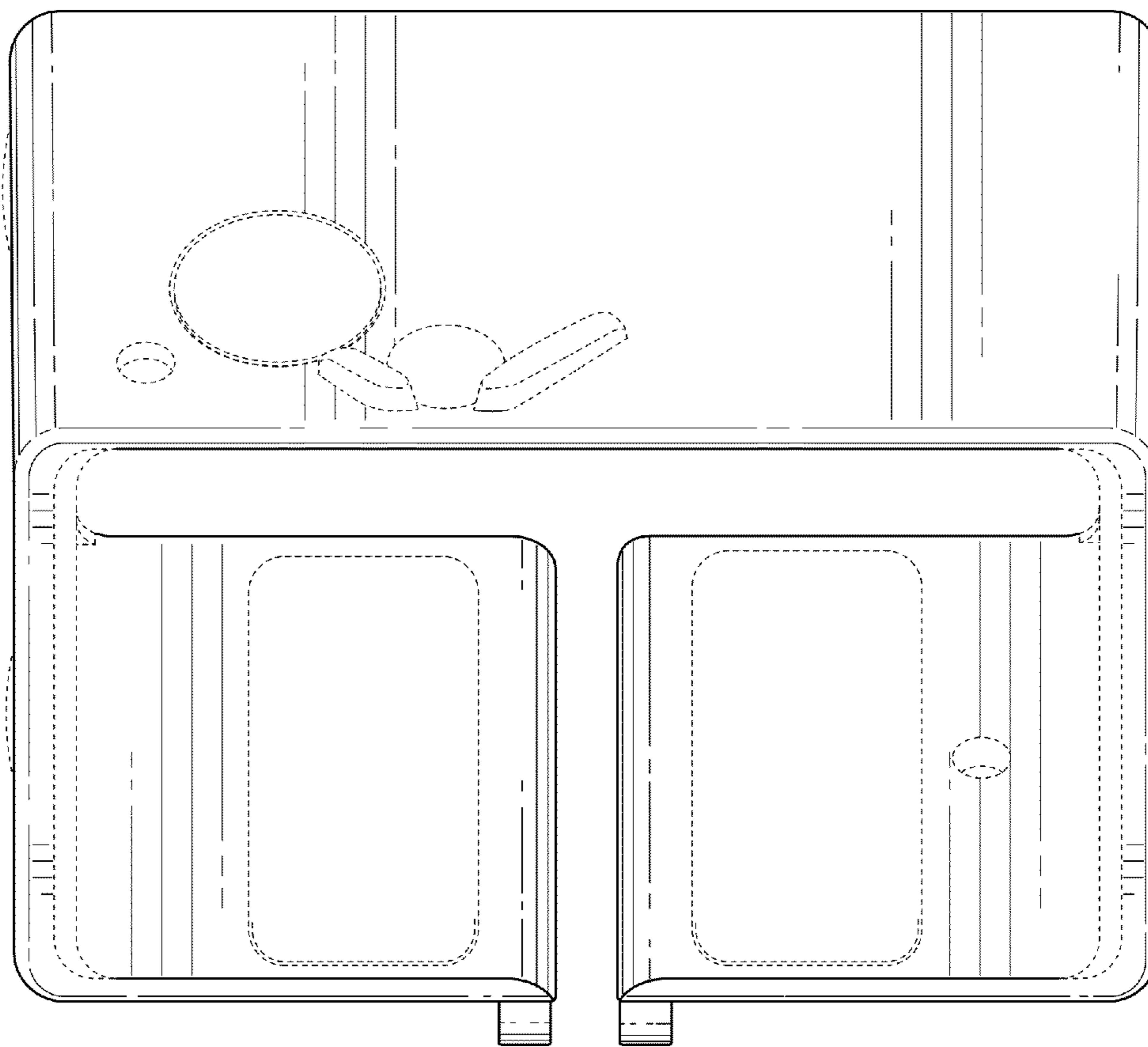


FIG. 3

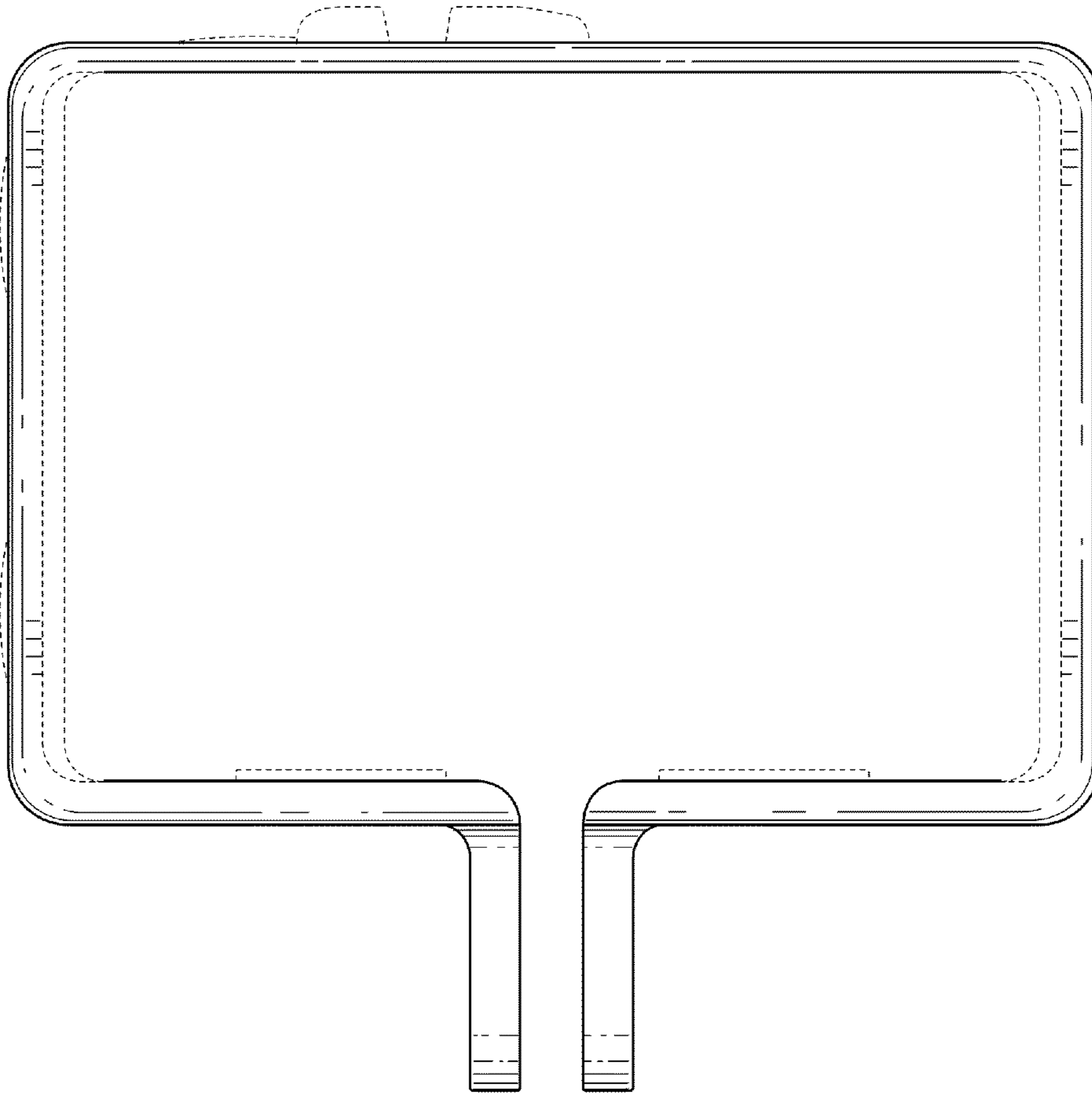


FIG. 4

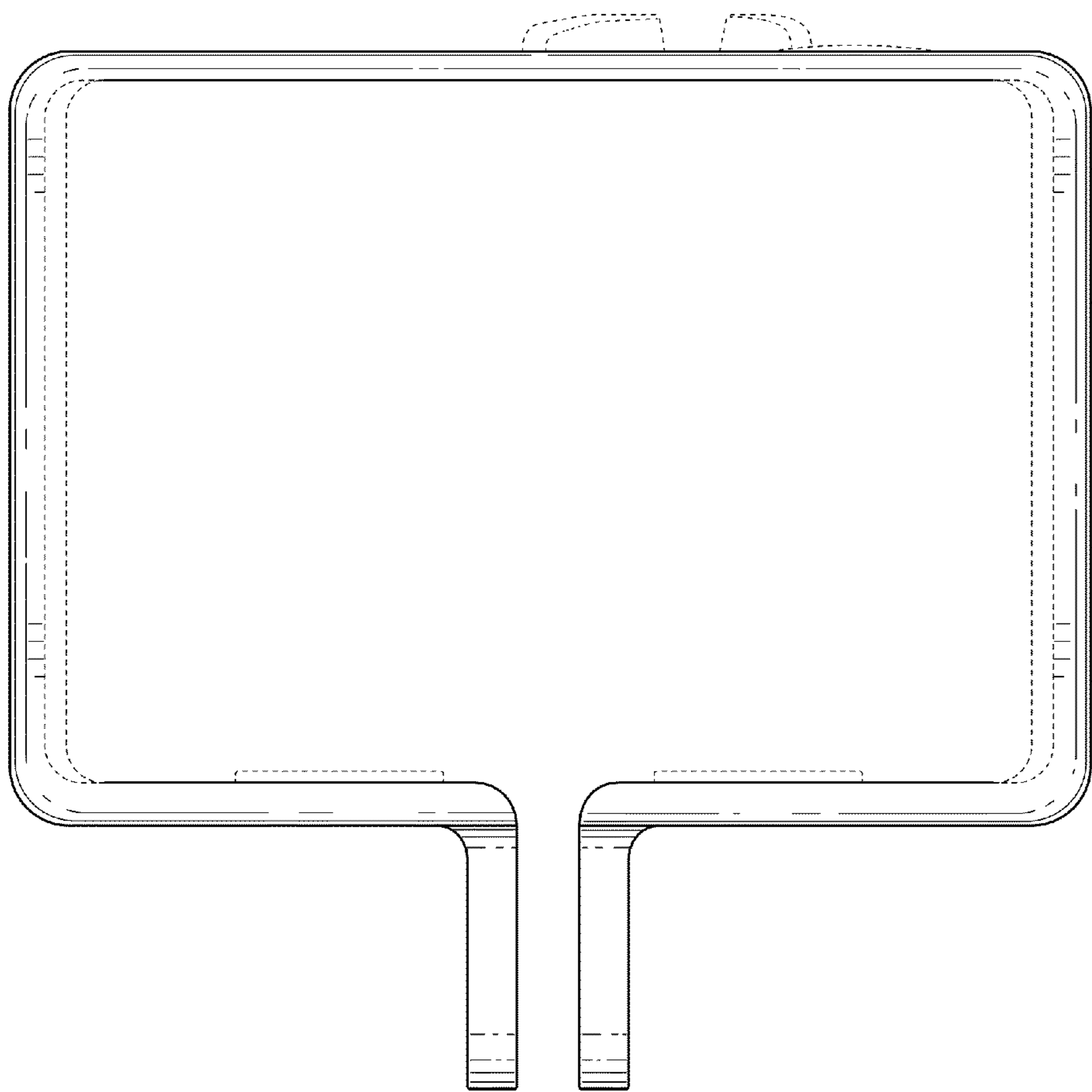


FIG. 5

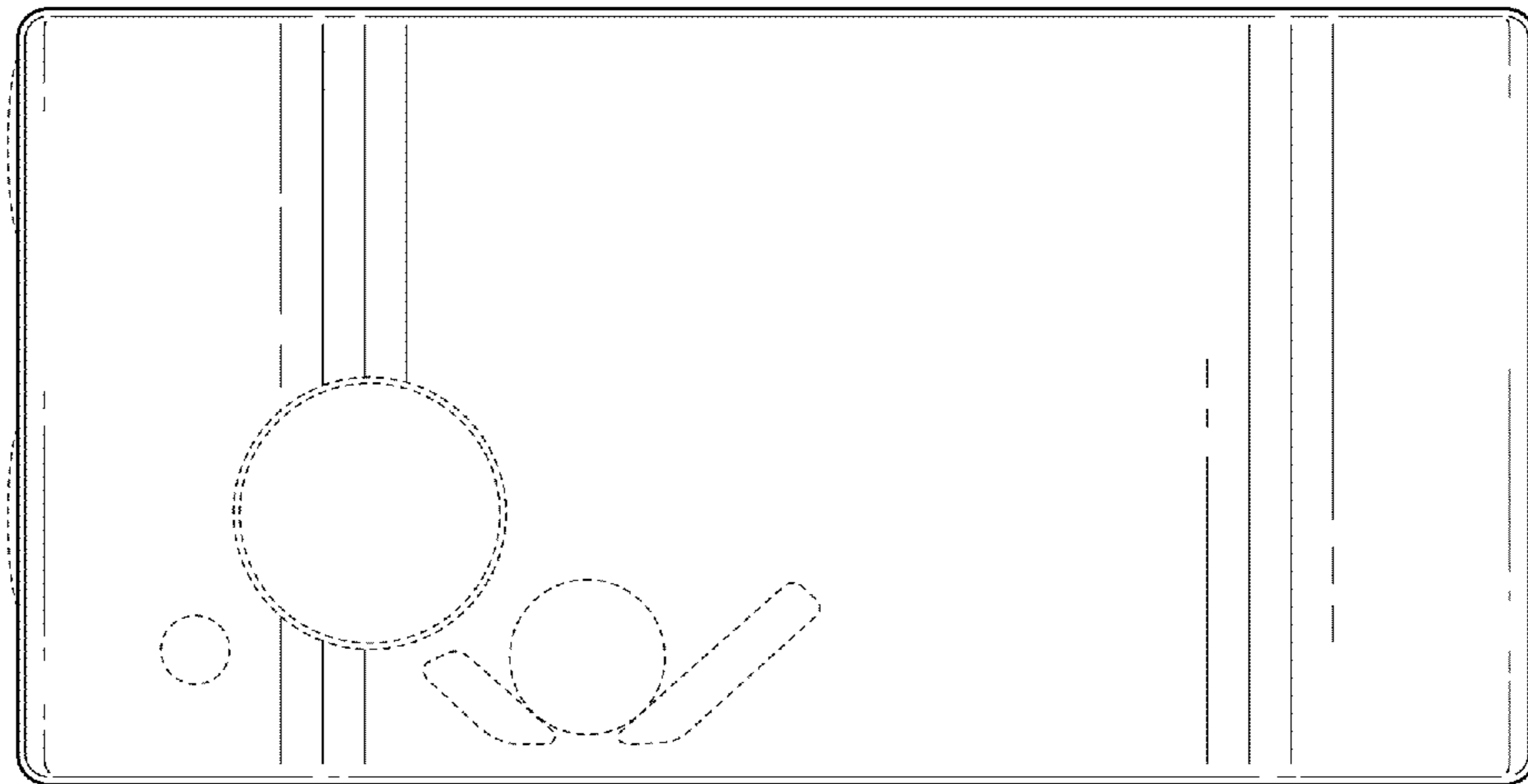


FIG. 6

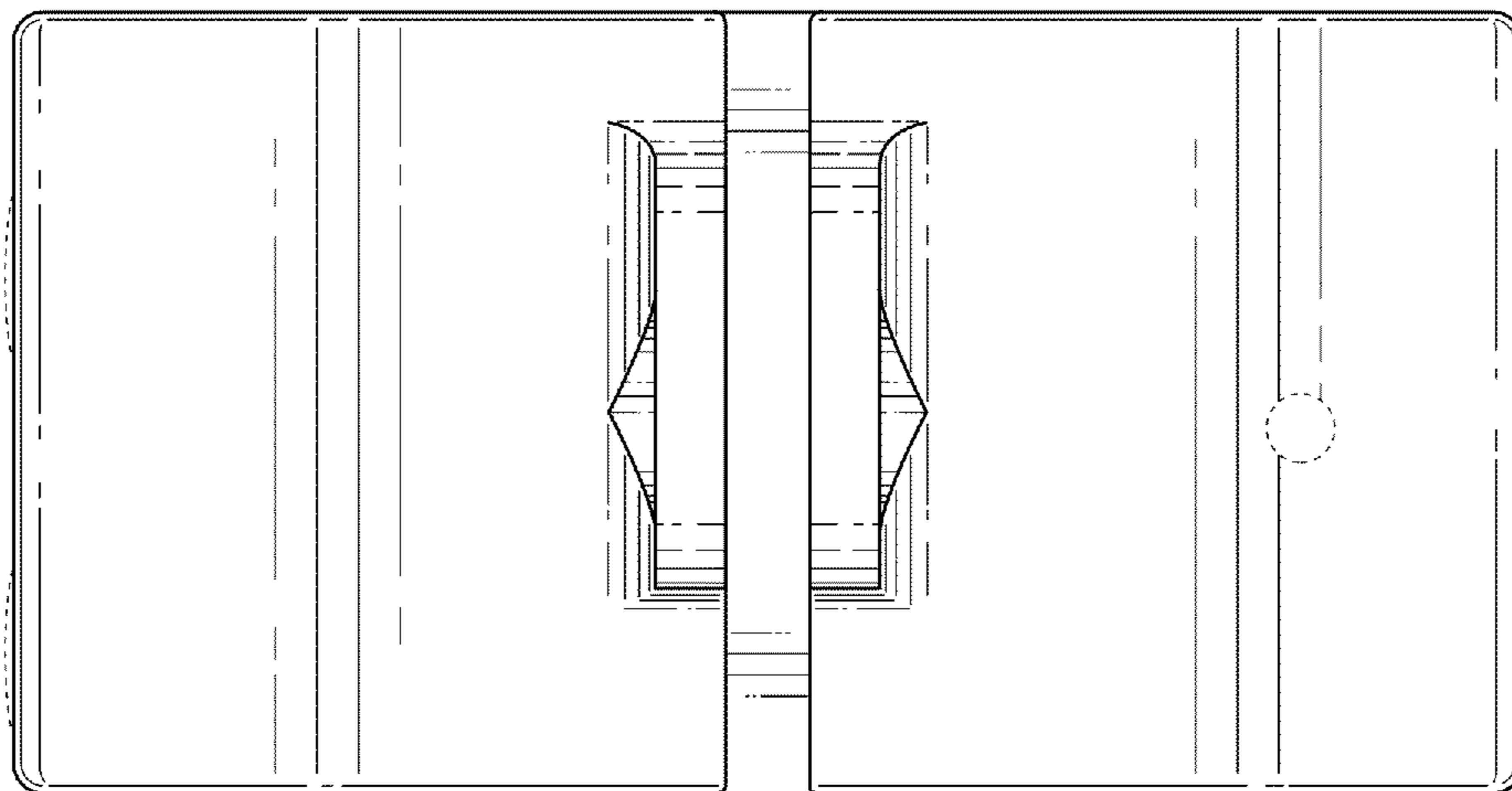


FIG. 7

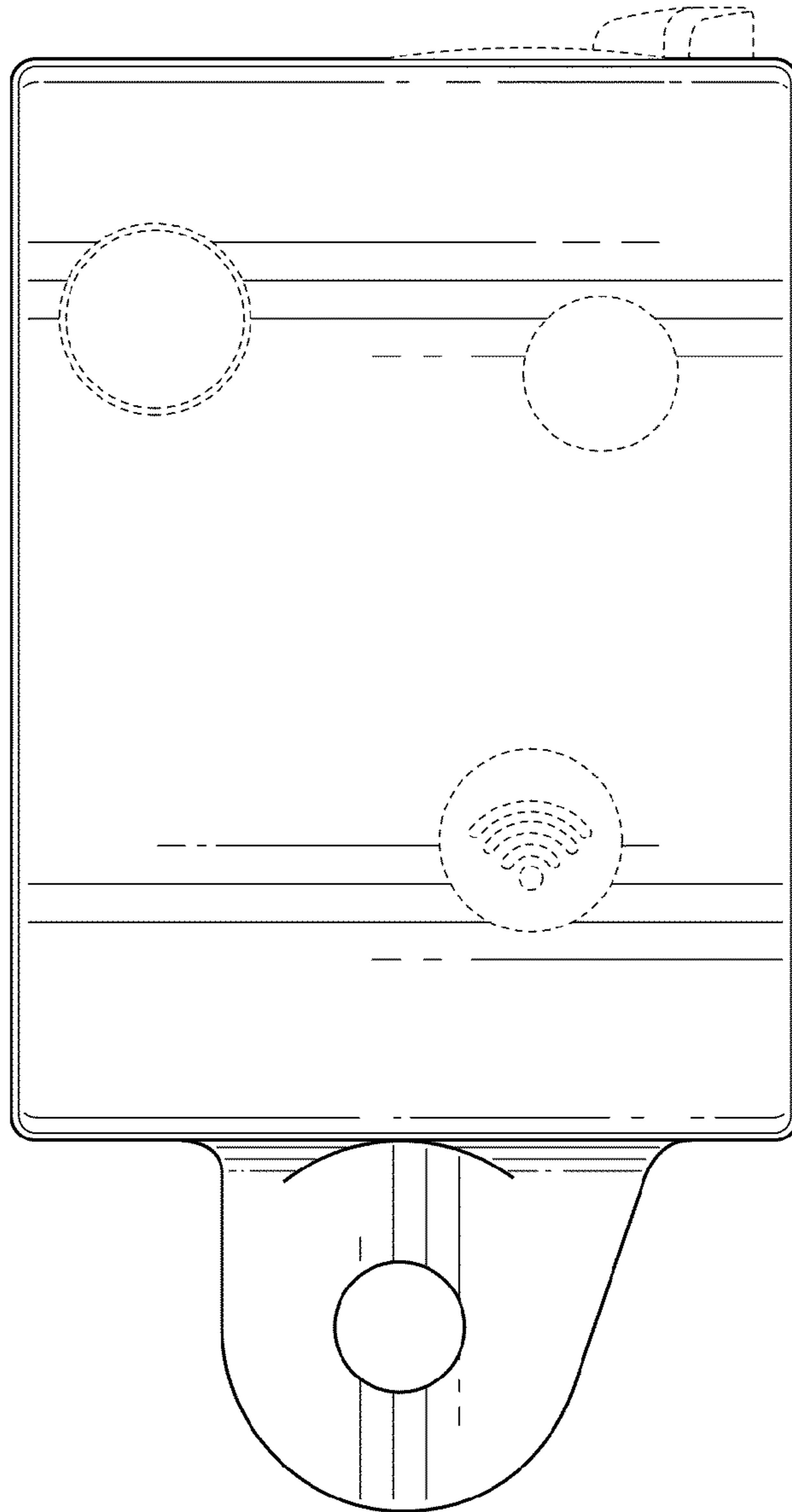


FIG. 8

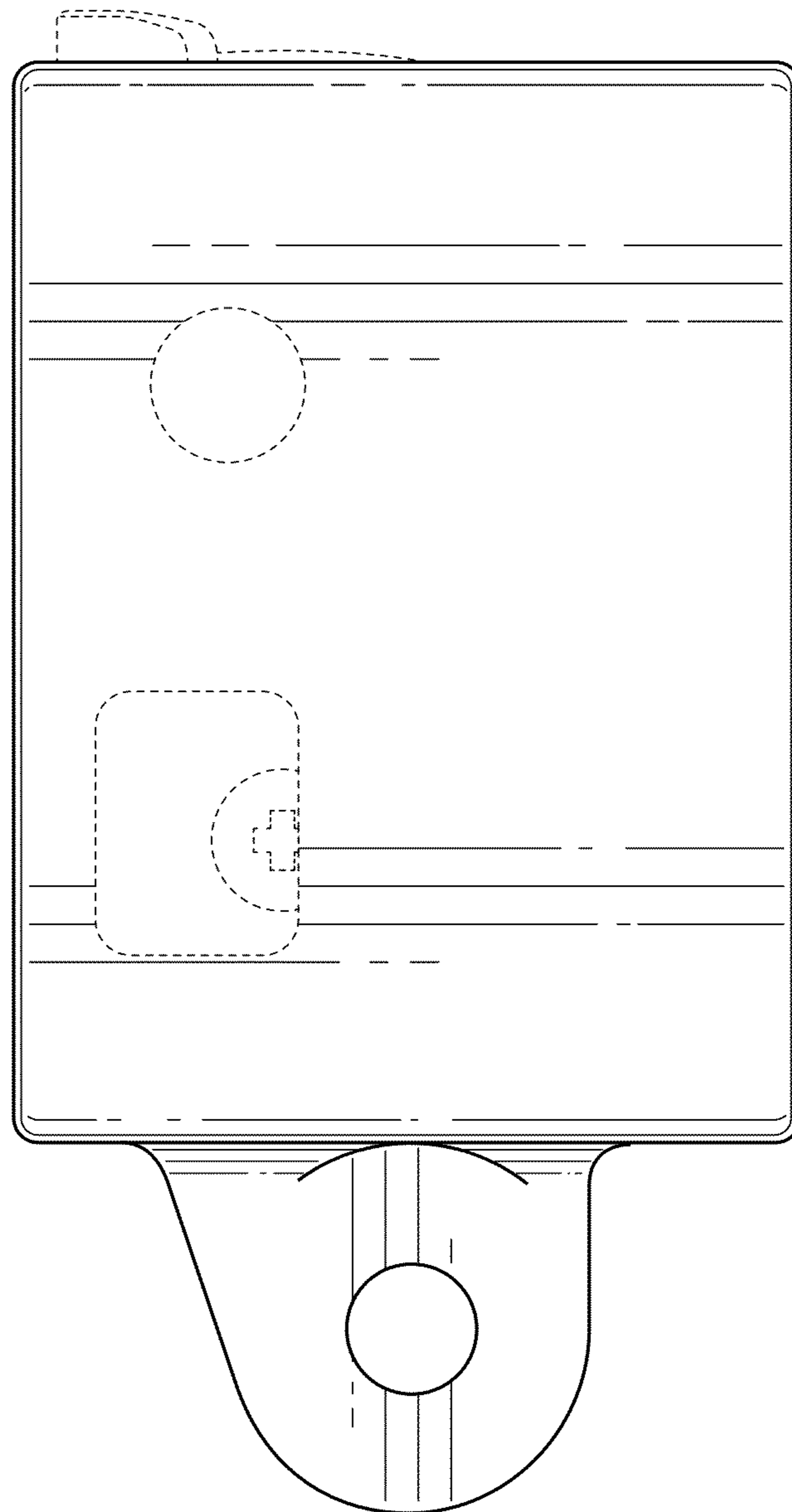


FIG. 9