



US00D724634S

(12) **United States Design Patent**
St. Laurent et al.

(10) **Patent No.:** **US D724,634 S**
(45) **Date of Patent:** **** *Mar. 17, 2015**

(54) **OPTICAL DISC SANDING MACHINE**

(71) Applicant: **Venmill Industries Incorporated,**
Uxbridge, MA (US)

(72) Inventors: **Daniel St. Laurent,** Webster, MA (US);
Mariusz Surowaniec, Thompson, CT (US)

(73) Assignee: **Venmill Industries Incorporated,**
Uxbridge, MA (US)

(*) Notice: This patent is subject to a terminal disclaimer.

(**) Term: **14 Years**

(21) Appl. No.: **29/484,220**

(22) Filed: **Mar. 7, 2014**

(51) **LOC (10) Cl.** **15-09**

(52) **U.S. Cl.**
USPC **D15/124**

(58) **Field of Classification Search**
USPC D8/62, 63; D14/299, 363, 368;
D15/122, 124, 125, 126; 15/88.2, 88.3,
15/102, 256.51; 51/7, 41; 144/16; 369/72;
451/2, 59, 60, 63, 72, 254, 258-262,
451/283, 287, 290, 291, 359, 446, 451, 459,
451/460

See application file for complete search history.

(56) **References Cited**

U.S. PATENT DOCUMENTS

D280,202 S * 8/1985 Aldridge, Jr. D15/124
4,736,475 A * 4/1988 Ekhoﬀ 451/258
D305,644 S * 1/1990 Rivera et al. D14/363
D326,463 S * 5/1992 Jacks D15/125

D390,577 S * 2/1998 Imahashi D15/124
6,386,946 B1 * 5/2002 Lin et al. 451/7
D474,212 S * 5/2003 Domaille et al. D15/124
6,796,877 B1 * 9/2004 Bingham et al. 451/5
D510,368 S * 10/2005 Narita D15/124
D530,728 S * 10/2006 Liao D15/124
D585,914 S * 2/2009 Hart D15/124
D595,317 S * 6/2009 Dinsdale D15/124
D635,162 S * 3/2011 Johansen D15/125
D673,591 S * 1/2013 Surowaniec D15/124
D673,985 S * 1/2013 Surowaniec D15/124
2003/0182015 A1 * 9/2003 Domaille et al. 700/164
2011/0143636 A1 * 6/2011 Miyahara et al. 451/2

* cited by examiner

Primary Examiner — Patricia Palasik

(74) *Attorney, Agent, or Firm* — Hayes Soloway PC

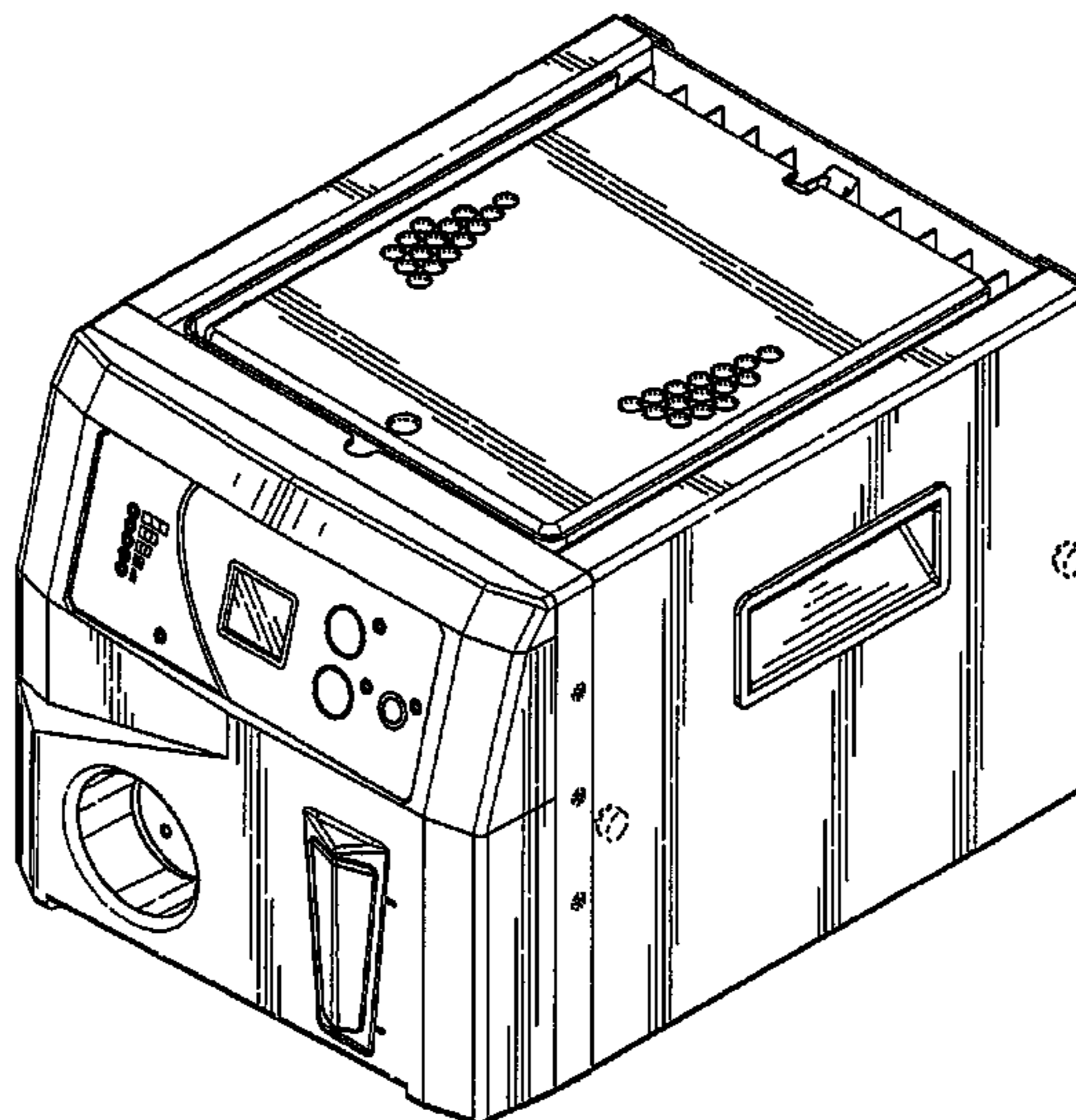
(57) **CLAIM**

We claim the ornamental design for an optical disc sanding machine, as shown and described.

DESCRIPTION

FIG. 1 is a perspective view of an optical disc sanding machine showing the new design;
FIG. 2 is a front view of an optical disc sanding machine thereof;
FIG. 3 is a back view of an optical disc sanding machine thereof;
FIG. 4 is a side view of an optical disc sanding machine thereof;
FIG. 5 is a side view of an optical disc sanding machine thereof;
FIG. 6 is a top plan view of an optical disc sanding machine thereof; and,
FIG. 7 is a bottom view of an optical disc sanding machine thereof.

1 Claim, 7 Drawing Sheets



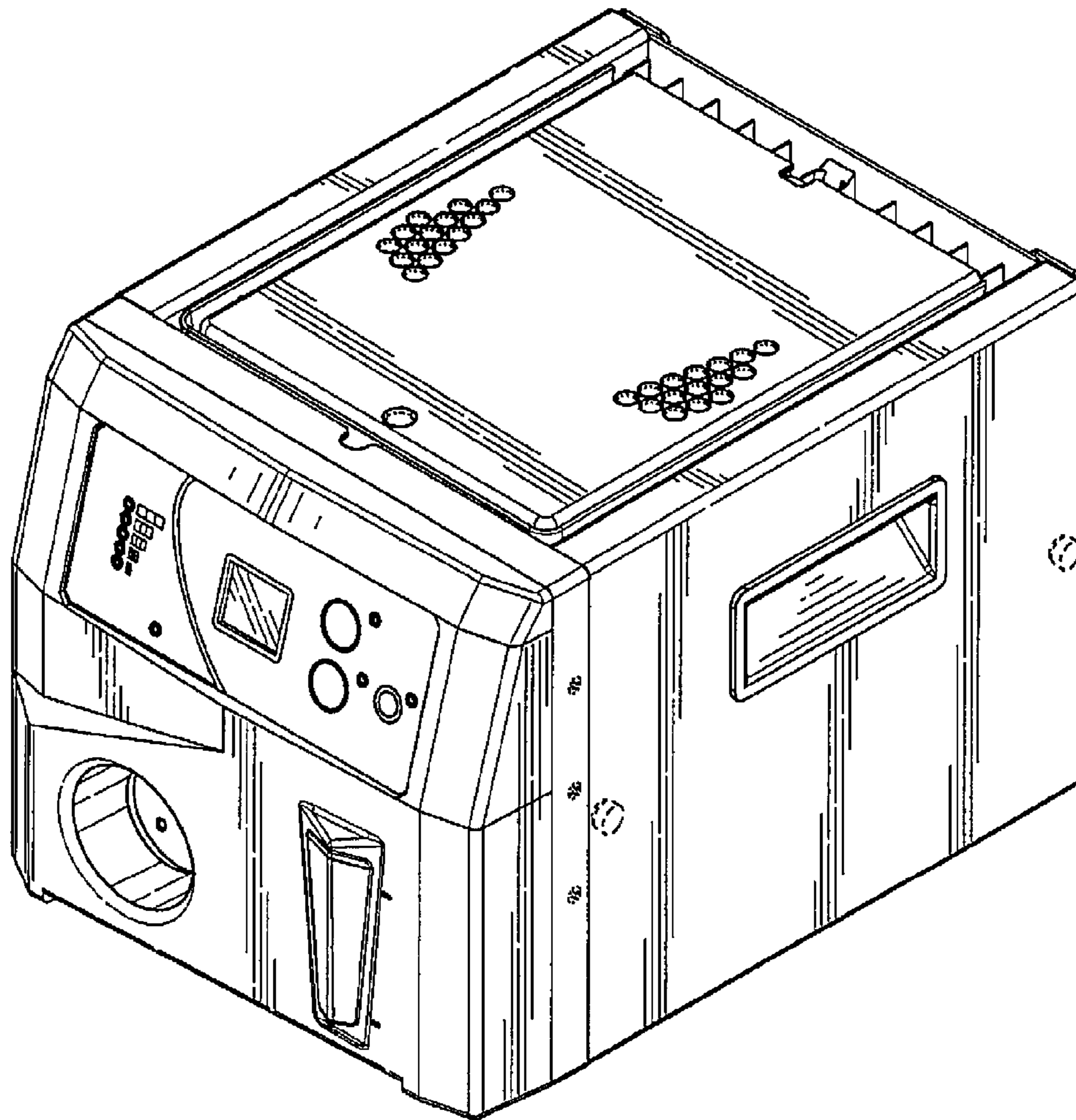


FIG. 1

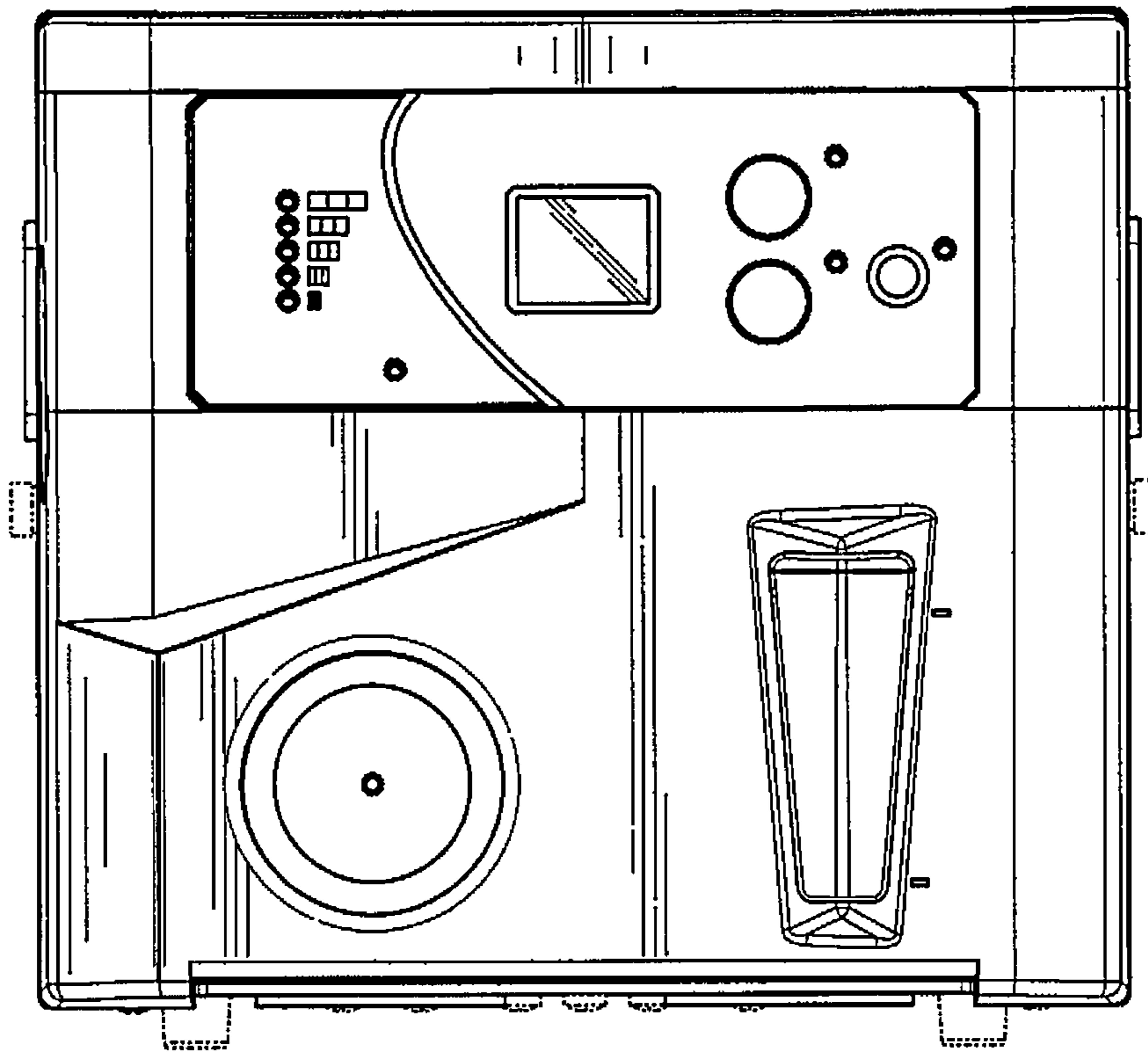


FIG. 2

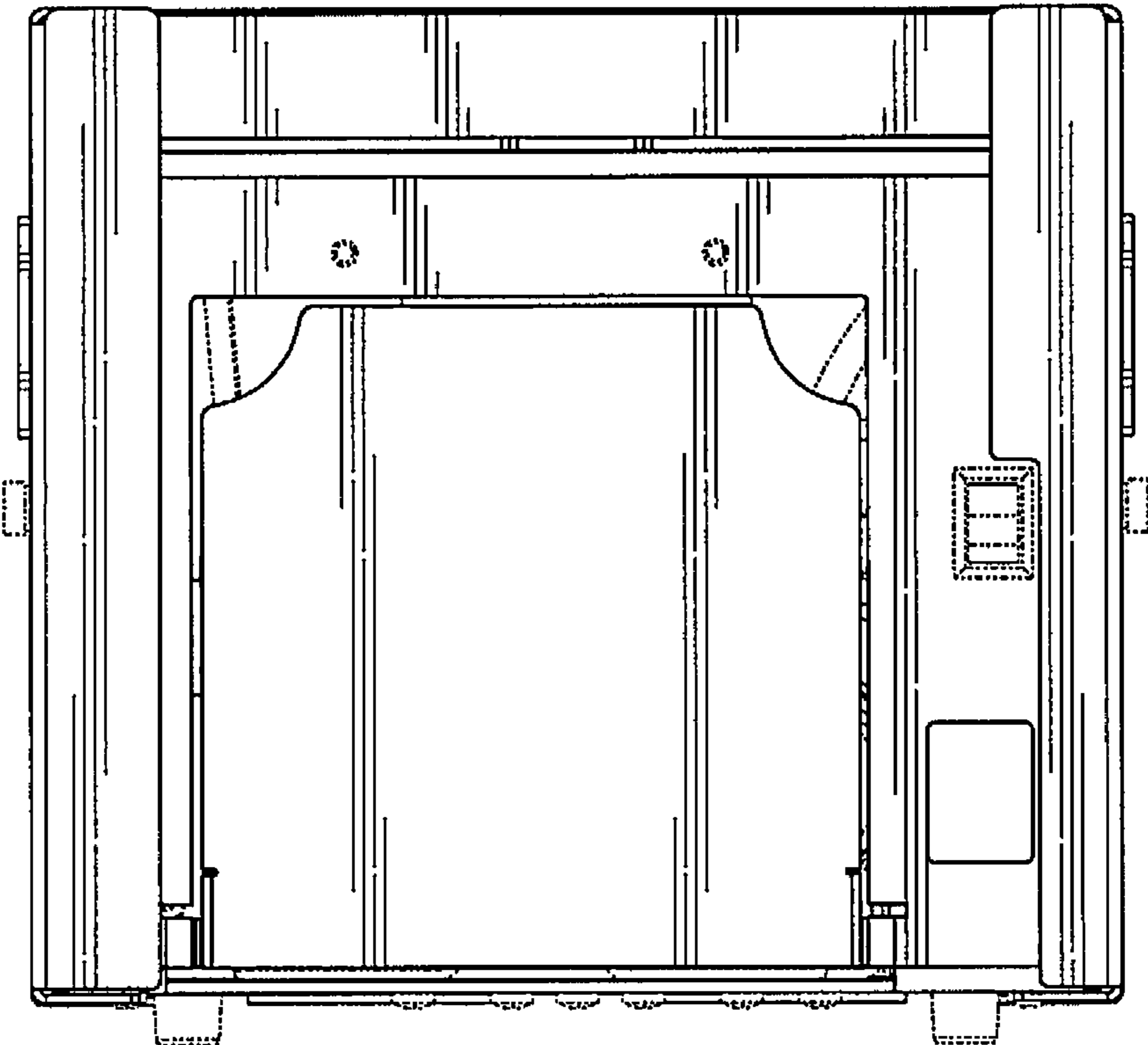


FIG. 3

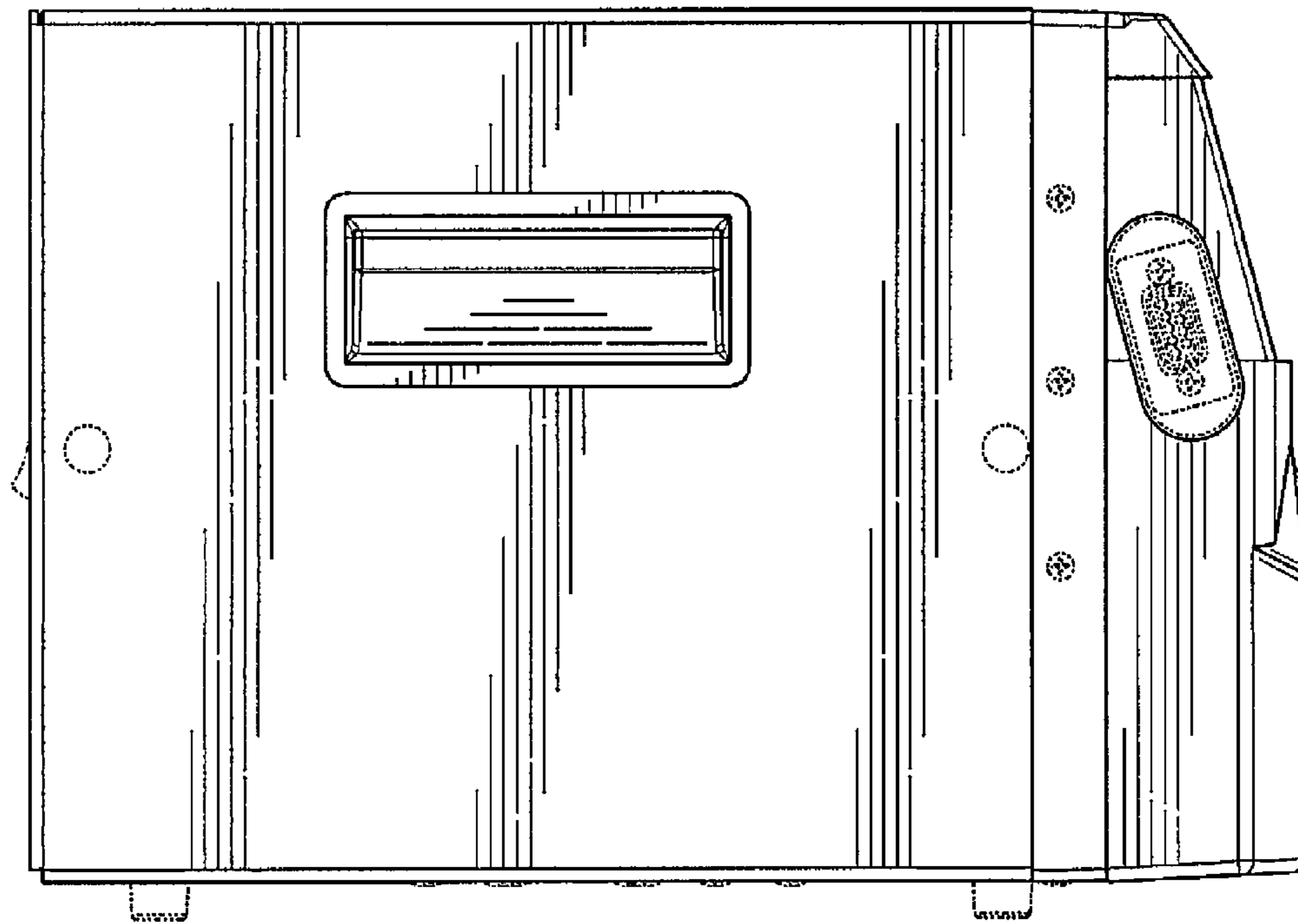


FIG. 4

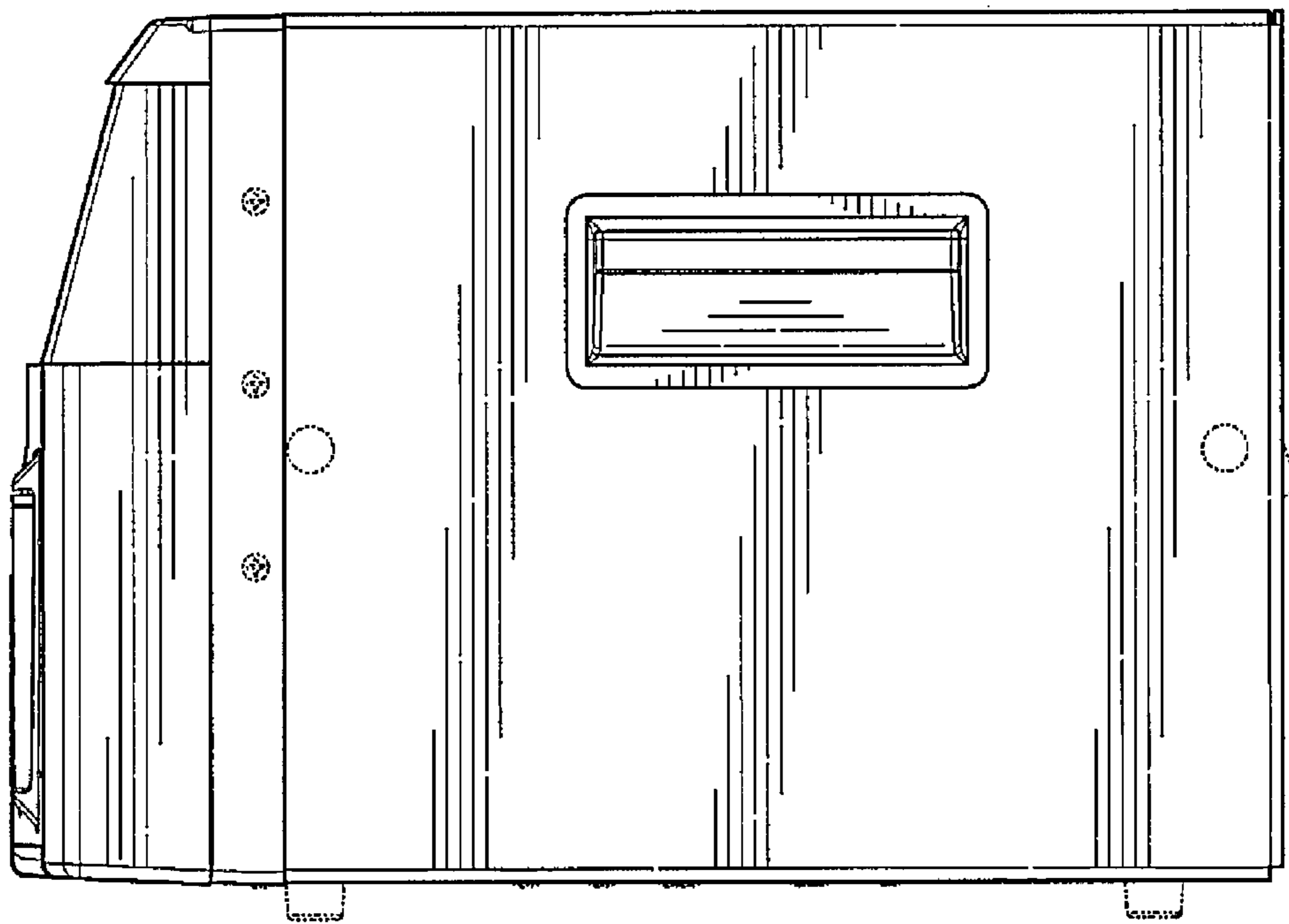


FIG. 5

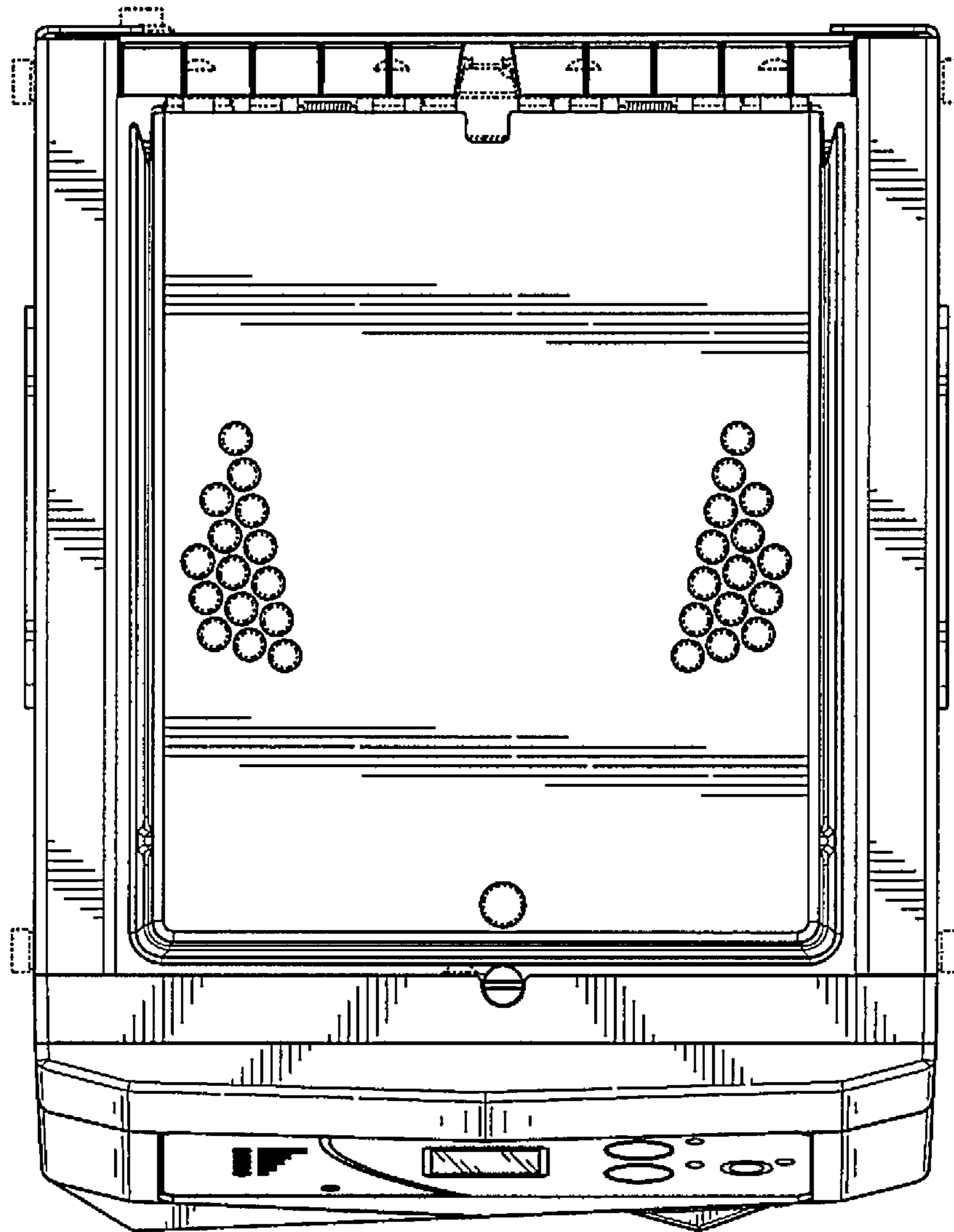


FIG. 6

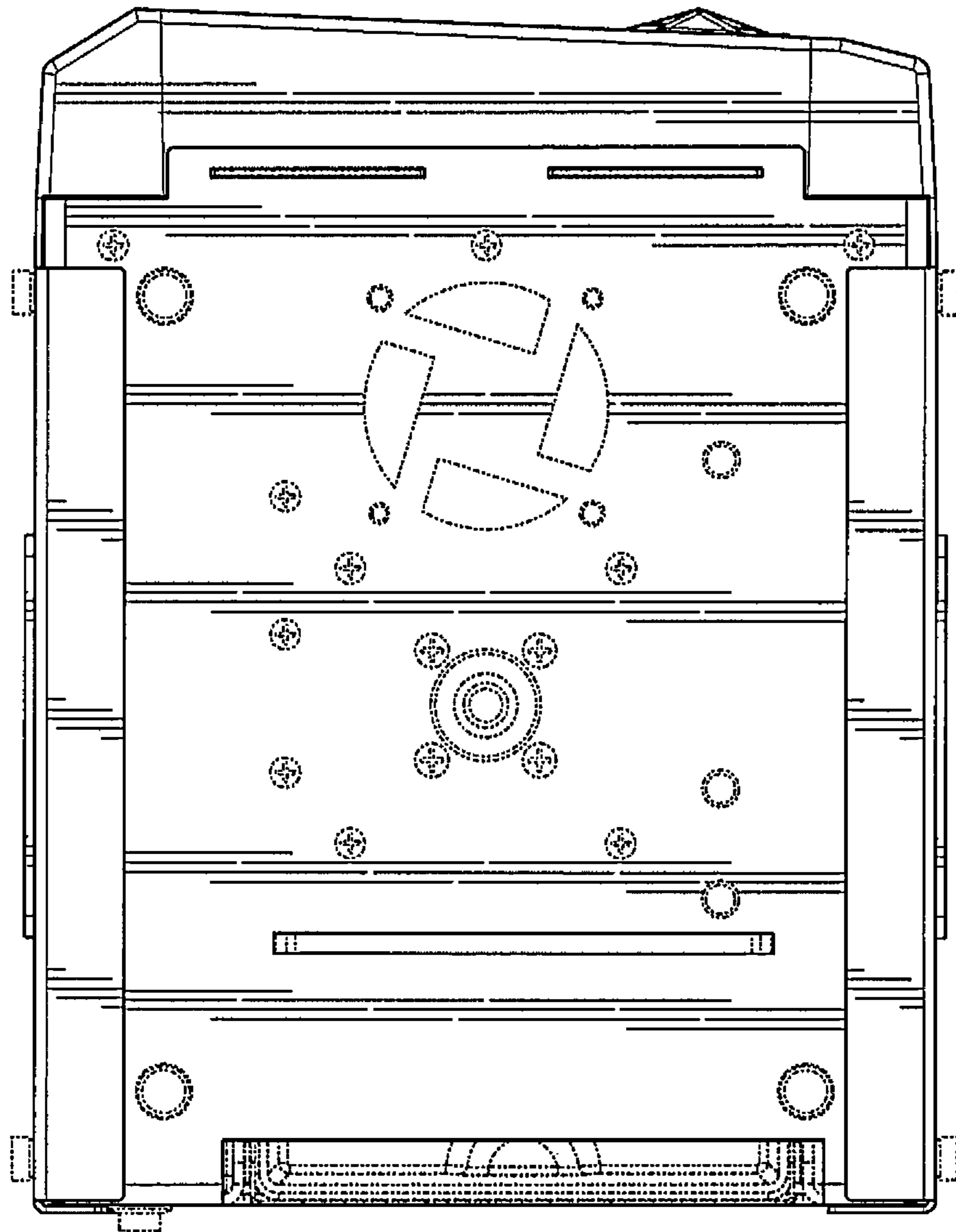


FIG. 7