



US00D724633S

(12) **United States Design Patent**
Foster

(10) **Patent No.:** **US D724,633 S**

(45) **Date of Patent:** **** Mar. 17, 2015**

(54) **BEARING HOUSING**

(71) Applicant: **Paul P Foster**, Duryea, PA (US)

(72) Inventor: **Paul P Foster**, Duryea, PA (US)

(**) Term: **14 Years**

(21) Appl. No.: **29/490,930**

(22) Filed: **May 15, 2014**

(51) **LOC (10) Cl.** **15-09**

(52) **U.S. Cl.**
USPC **D15/123**

(58) **Field of Classification Search**
USPC D15/123
See application file for complete search history.

(56) **References Cited**

U.S. PATENT DOCUMENTS

| | | | | | | |
|-----------|---|---|---------|-------------|-------|---------|
| 3,873,167 | A | * | 3/1975 | Anderson | | 384/495 |
| D269,786 | S | * | 7/1983 | Ostling | | D15/143 |
| D297,942 | S | * | 10/1988 | Somarakis | | D15/143 |
| D343,179 | S | * | 1/1994 | Waskiewicz | | D15/143 |
| D367,069 | S | * | 2/1996 | Thom et al. | | D15/143 |

| | | | | | | |
|--------------|----|---|---------|------------------|-------|---------|
| D376,160 | S | * | 12/1996 | Waskiewicz | | D15/143 |
| D427,217 | S | * | 6/2000 | Ostling | | D15/143 |
| D446,230 | S | * | 8/2001 | Olsson | | D15/143 |
| D616,004 | S | * | 5/2010 | Andersson et al. | | D15/143 |
| 2004/0096134 | A1 | * | 5/2004 | Ward | | 384/624 |

* cited by examiner

Primary Examiner — Patricia Palasik

(74) *Attorney, Agent, or Firm* — Riddle Patent Law, LLC;
Charles L. Riddle, Esq.

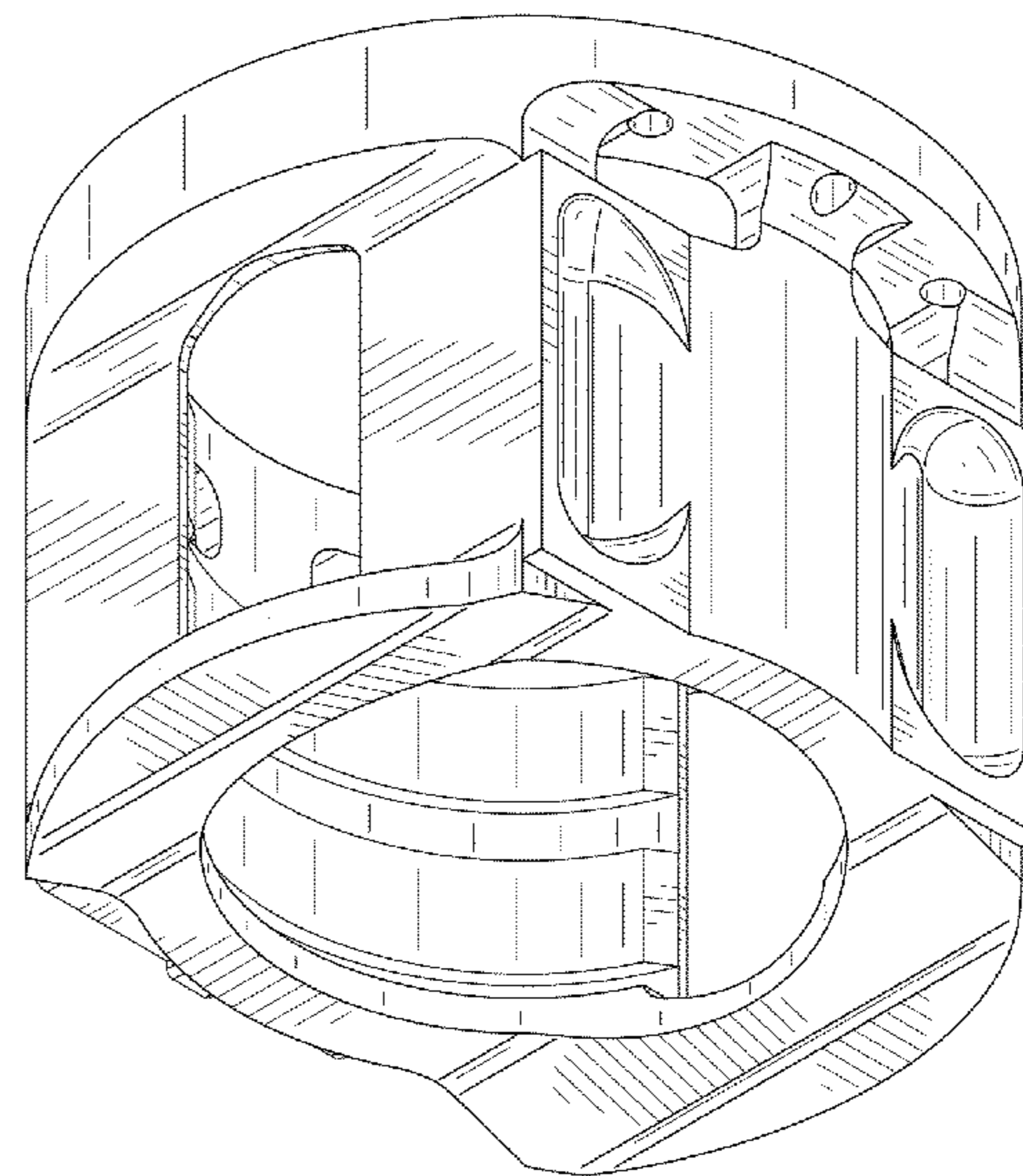
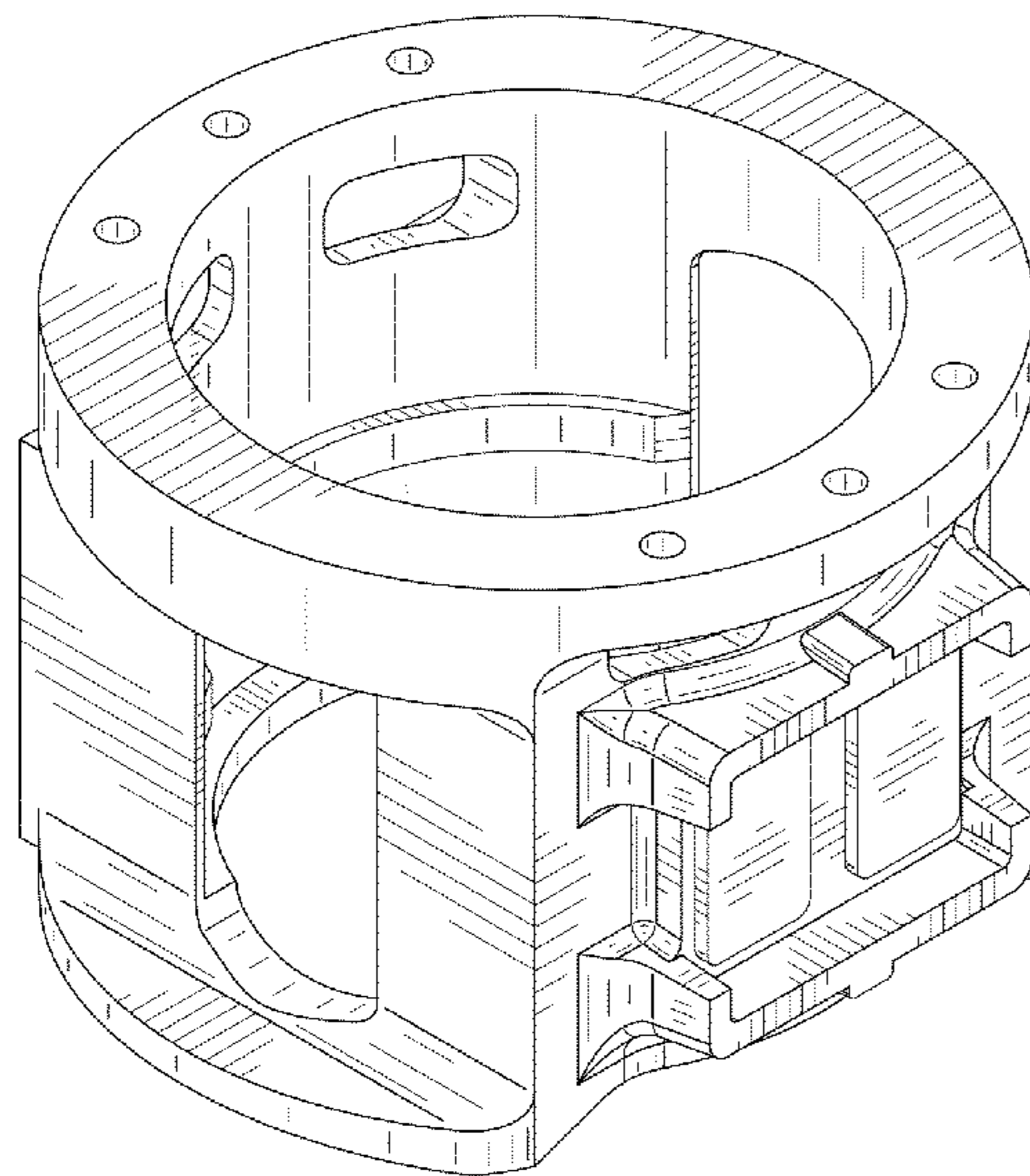
(57) **CLAIM**

The ornamental design for a bearing housing, as shown.

DESCRIPTION

FIG. 1 is a view in perspective from the front top and side;
FIG. 2 is a bottom rear and side perspective view;
FIG. 3 is a front and side perspective view;
FIG. 4 is a back side and top perspective view;
FIG. 5 is front elevation view;
FIG. 6 is a back elevation view;
FIG. 7 is a right view;
FIG. 8 is a top view; and,
FIG. 9 is a bottom view.

1 Claim, 4 Drawing Sheets



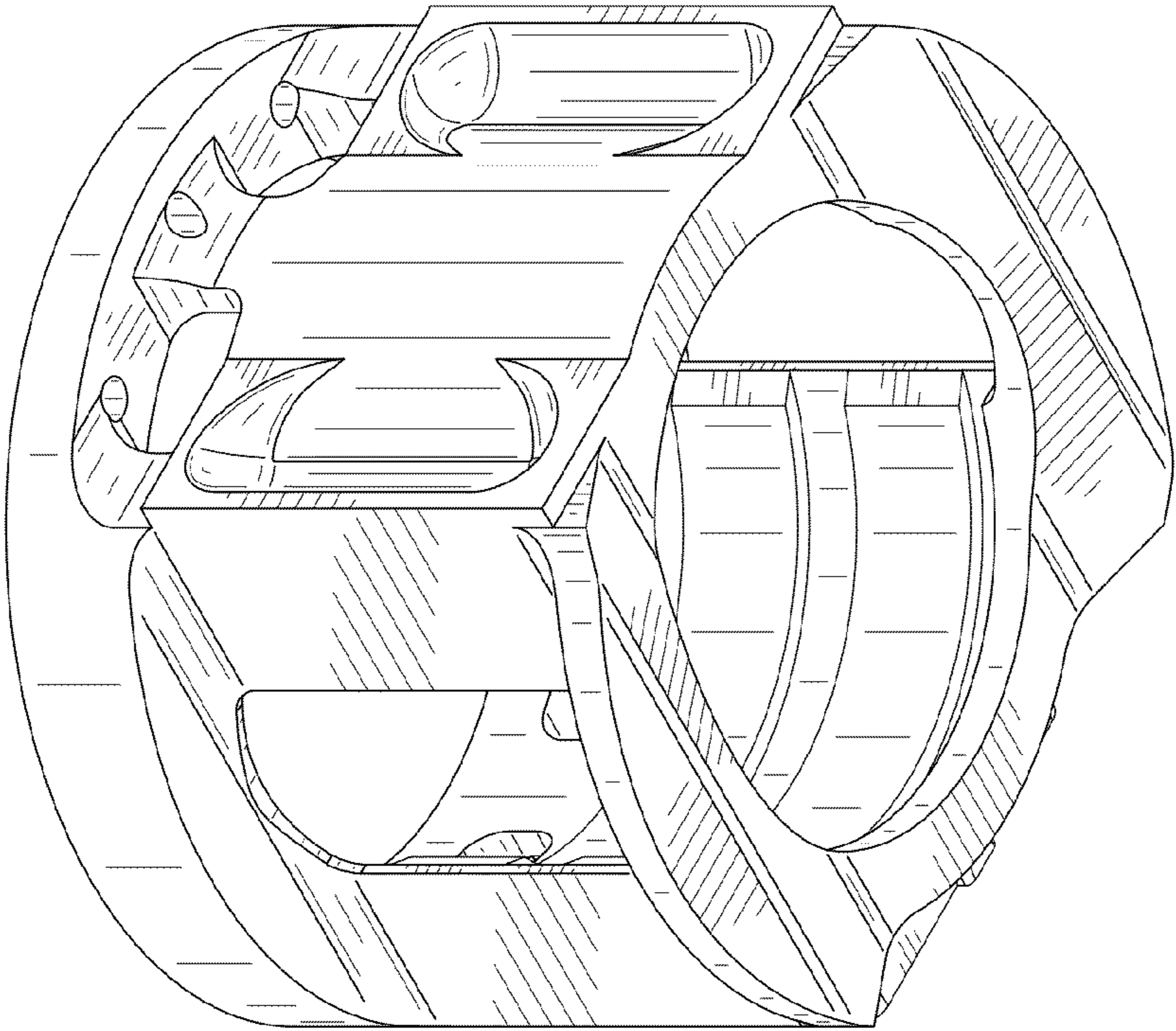


FIG. 2

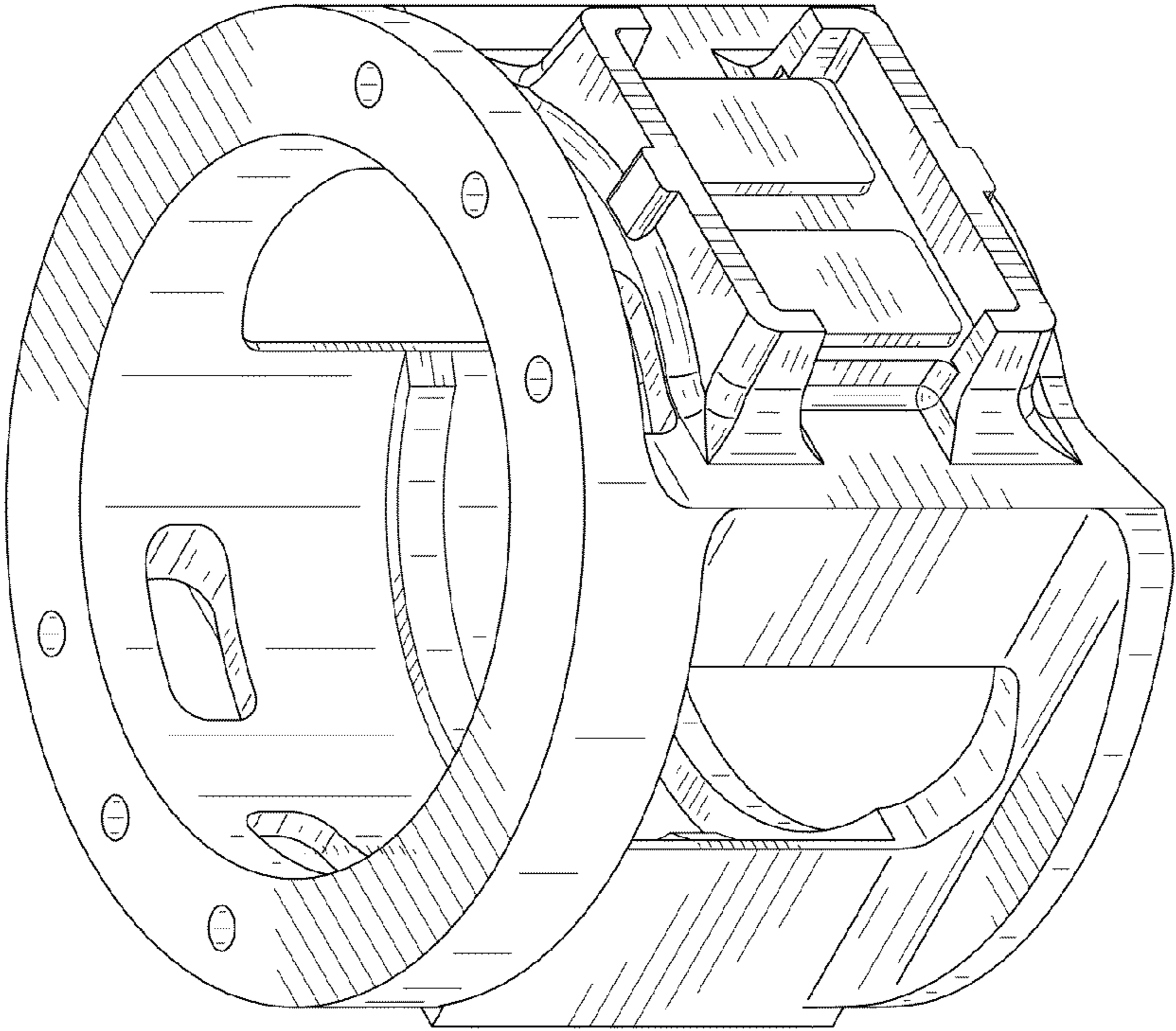


FIG. 1

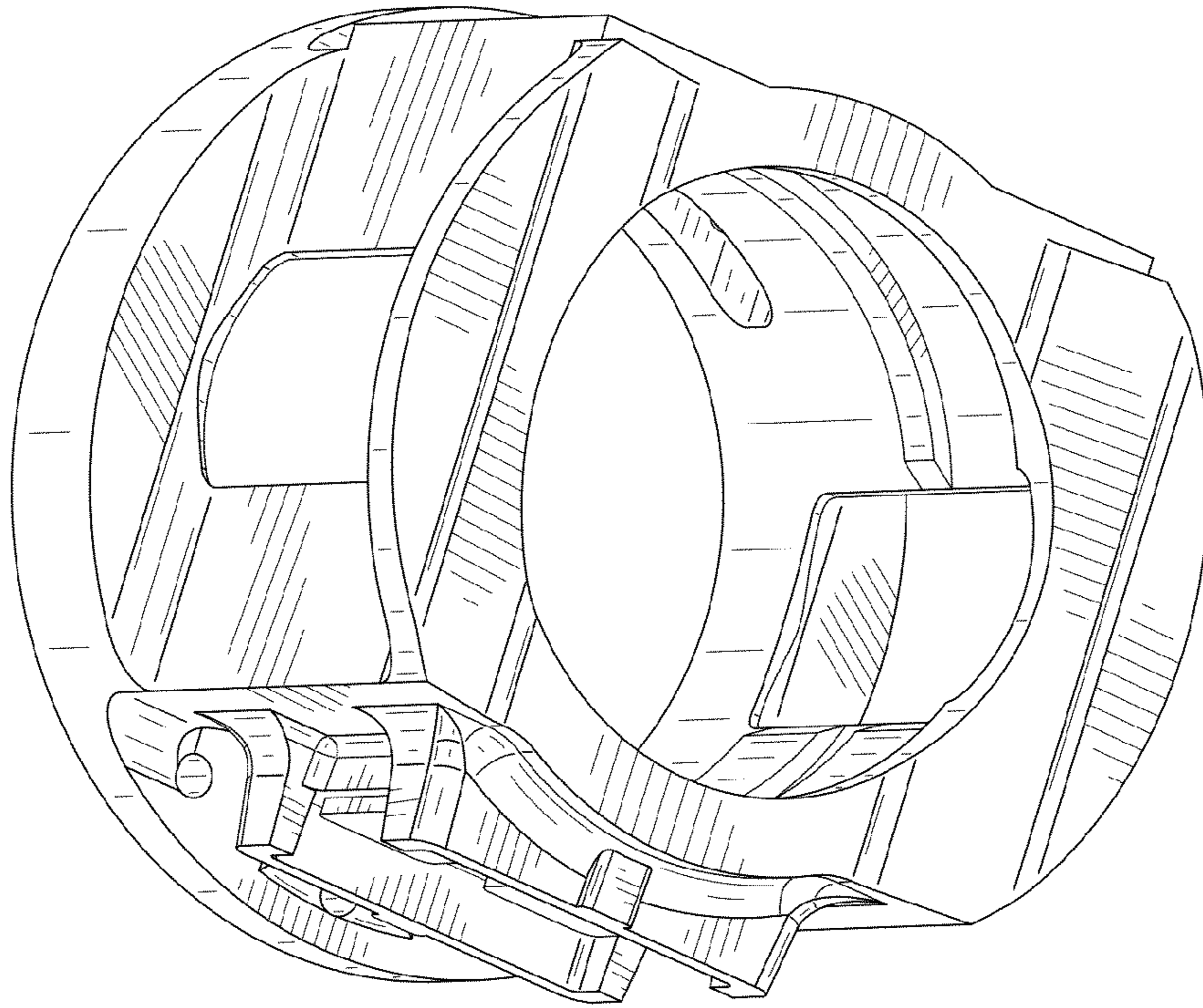


FIG. 4

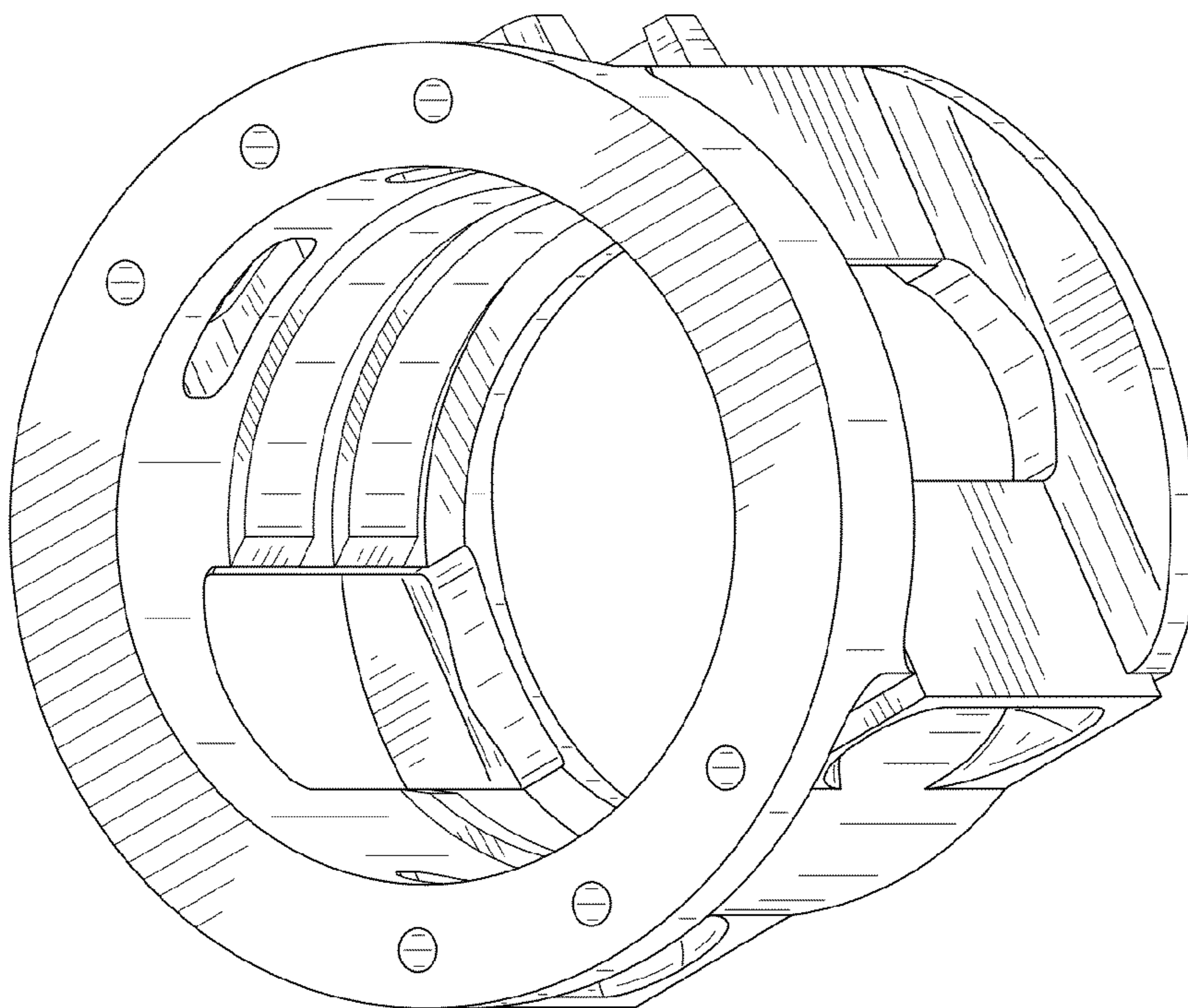


FIG. 3

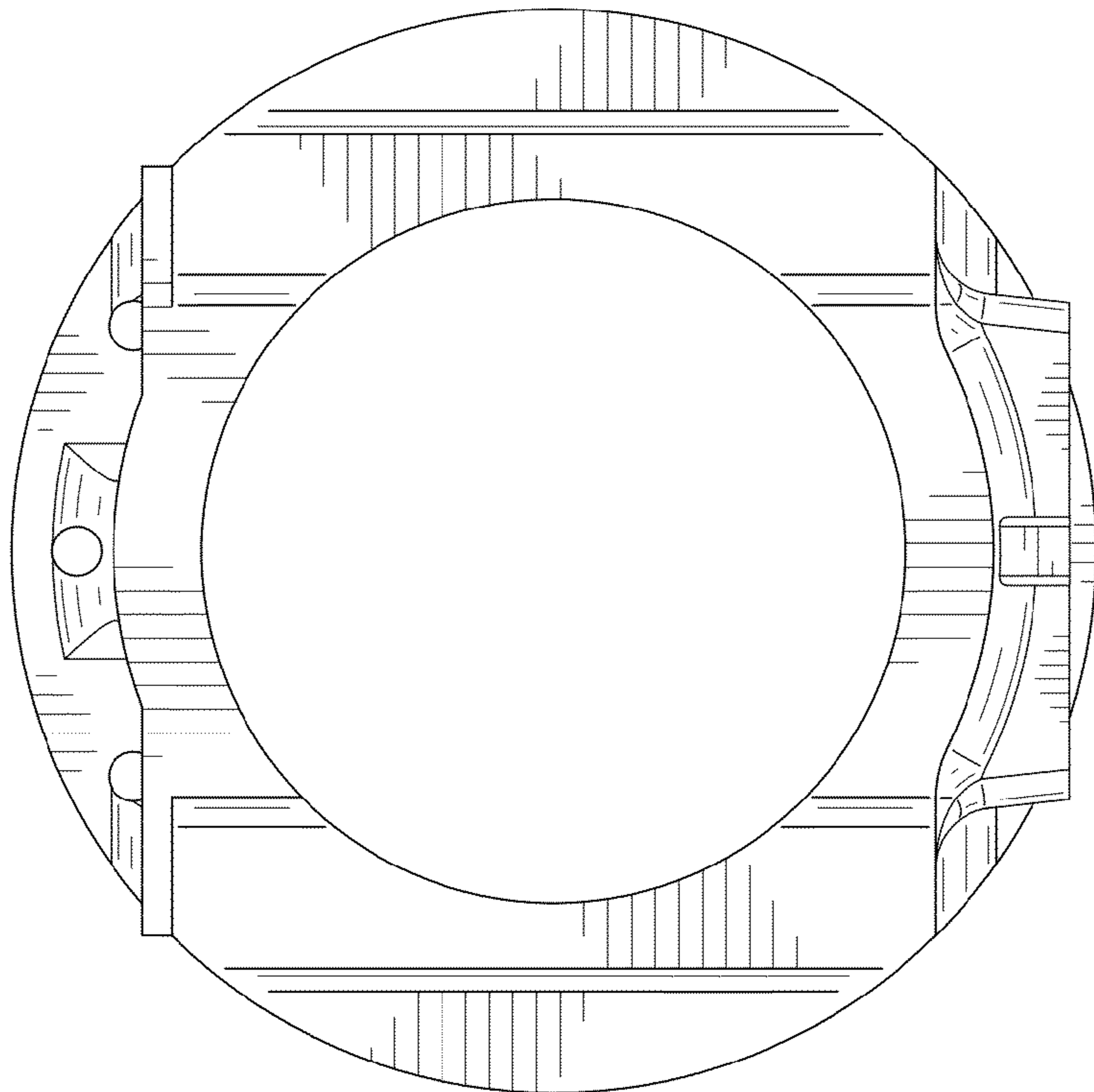


FIG. 6

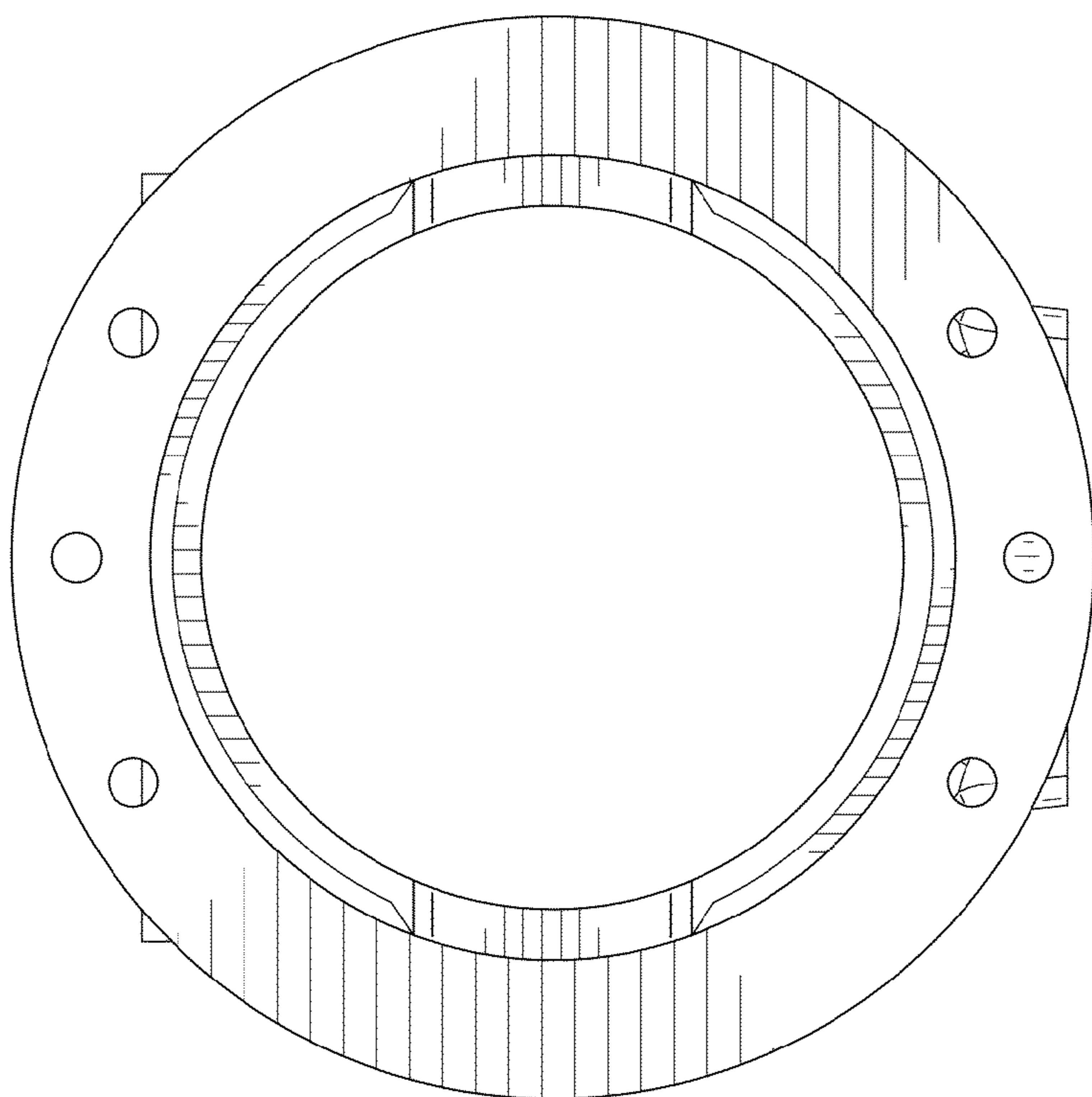


FIG. 5

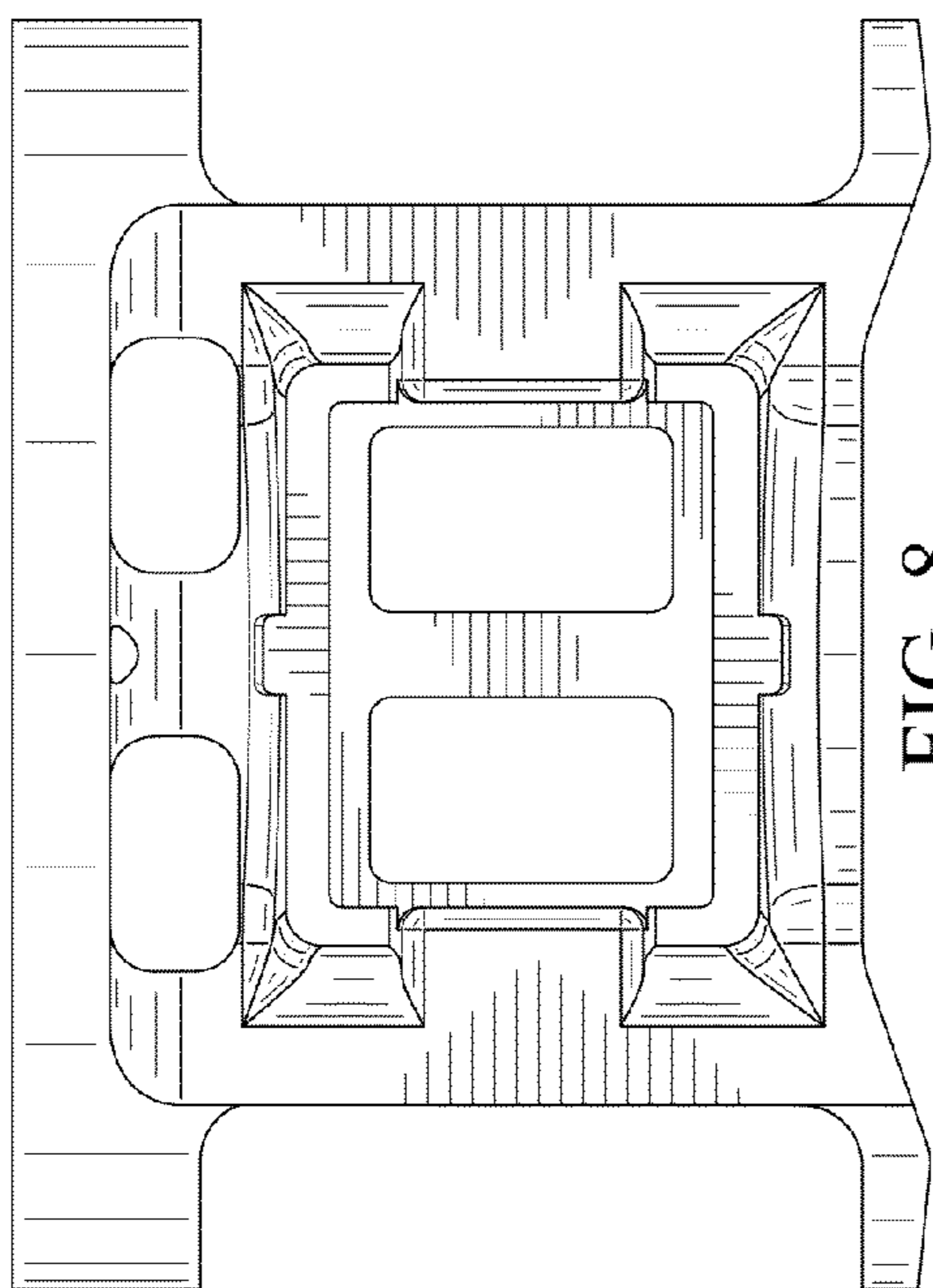


FIG. 8

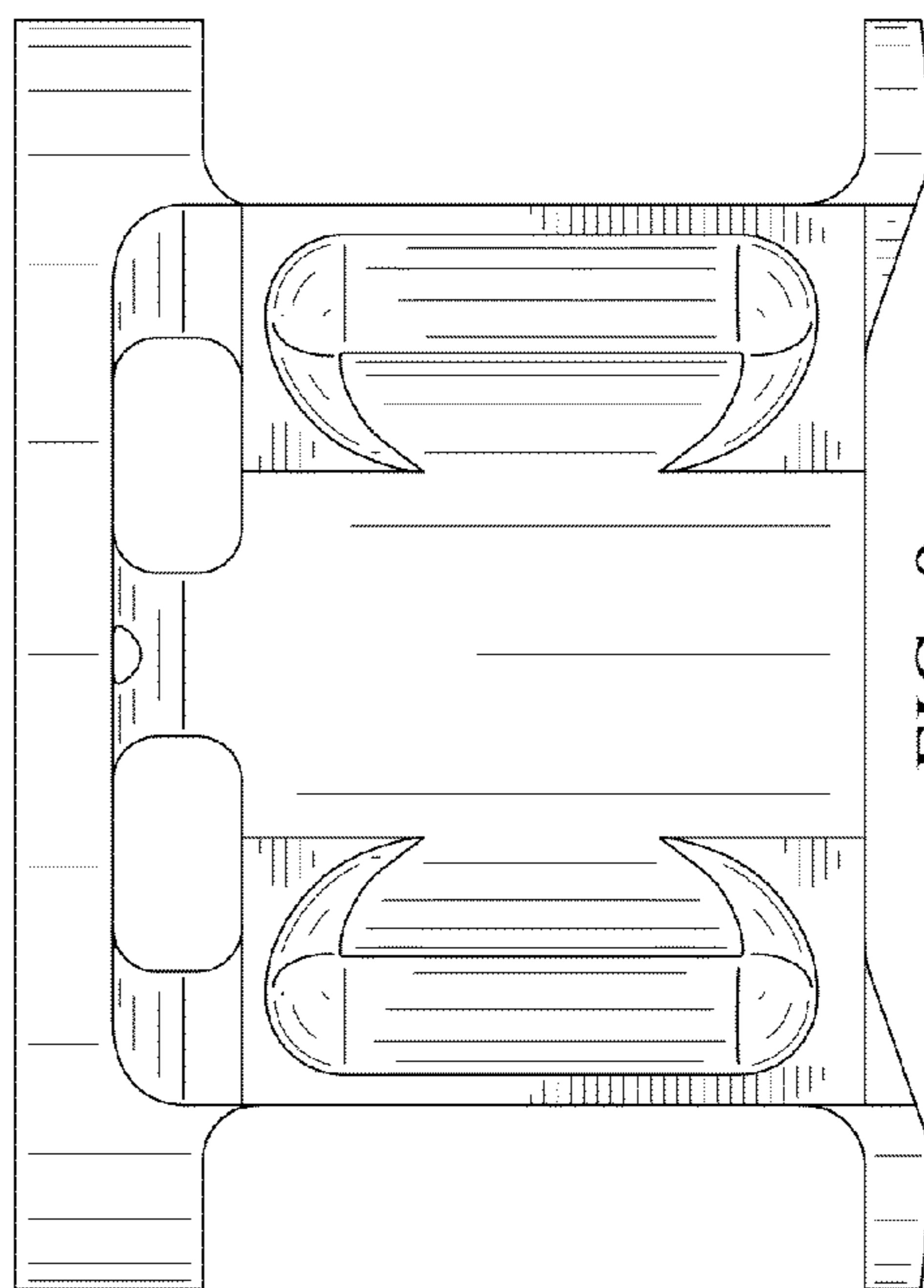


FIG. 9

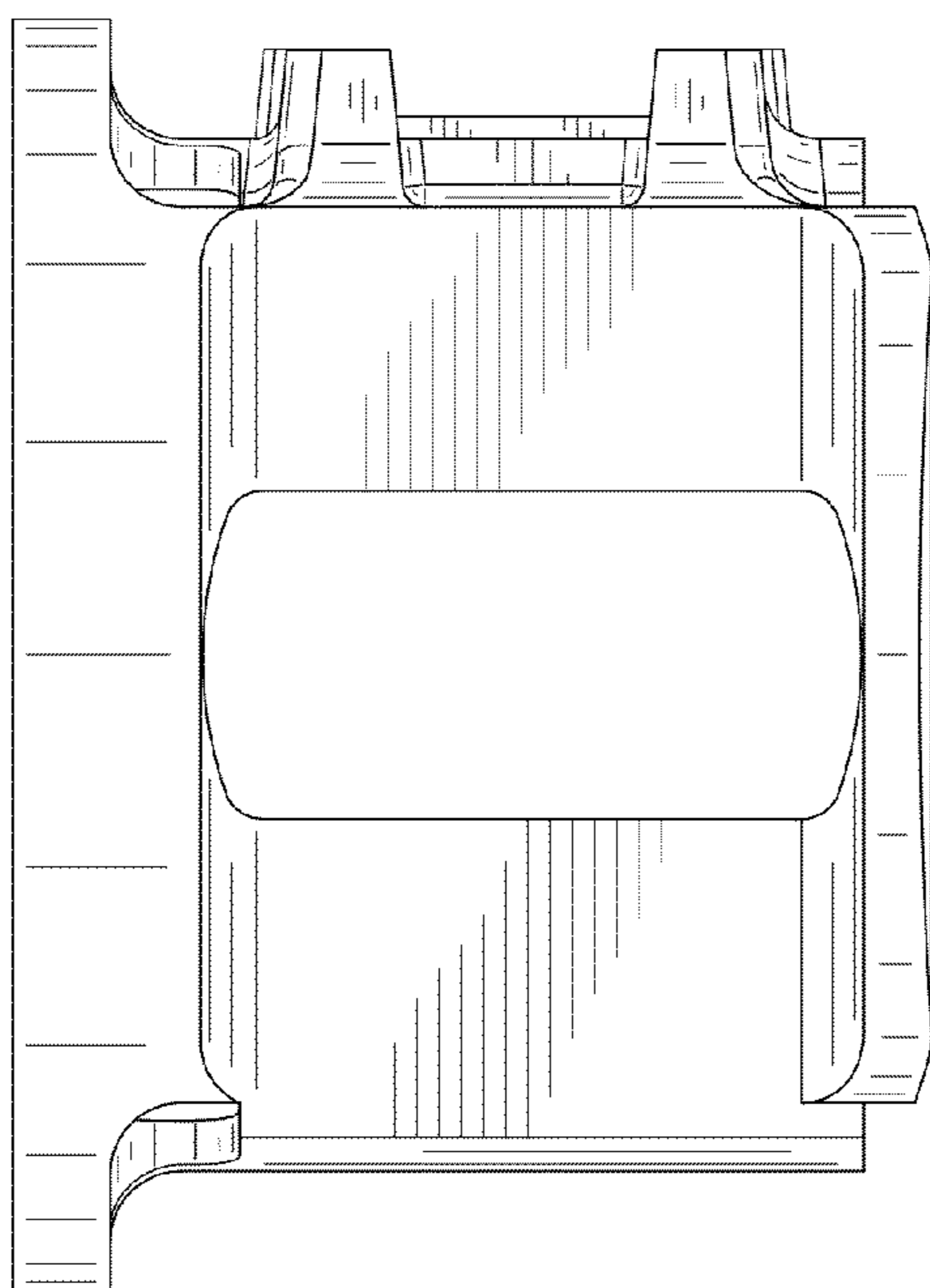


FIG. 7