

US00D724632S

(12) **United States Design Patent**  
**Gunnarsson**

(10) **Patent No.:** **US D724,632 S**  
(45) **Date of Patent:** **\*\* Mar. 17, 2015**

(54) **CRUSHING APPARATUS**

(71) Applicant: **Sandvik Intellectual Property AB,**  
Sandviken (SE)

(72) Inventor: **Johan Gunnarsson, Sovde (SE)**

(73) Assignee: **Sandvik Intellectual Property AB,**  
Sandviken (SE)

(\*\*) Term: **14 Years**

(21) Appl. No.: **29/436,615**

(22) Filed: **Nov. 7, 2012**

(30) **Foreign Application Priority Data**

May 8, 2012 (EP) ..... 001325377-0001  
May 8, 2012 (EP) ..... 001325377-002

(51) **LOC (10) Cl.** ..... **15-09**

(52) **U.S. Cl.**  
USPC ..... **D15/123**

(58) **Field of Classification Search**  
USPC ..... D15/122, 123; 72/448, 455, 465;  
100/207, 208, 214, 268, 282, 292;  
241/31, 58, 159, 179, 186, 236, 285;  
435/86, 135, 347, 348.5, 349, 350,  
435/353, 355, 358, 360

See application file for complete search history.

(56) **References Cited**

U.S. PATENT DOCUMENTS

3,843,068	A *	10/1974	Allen et al. ....	241/285.1
8,070,084	B2 *	12/2011	Biggin et al. ....	241/209
2011/0006143	A1 *	1/2011	Gunnarsson et al. ....	241/215
2012/0223171	A1 *	9/2012	Flath et al. ....	241/207
2013/0075508	A1 *	3/2013	Stemper ....	241/207
2013/0334348	A1 *	12/2013	Dricken et al. ....	241/32
2014/0084095	A1 *	3/2014	Glauberman et al. ....	241/277

\* cited by examiner

*Primary Examiner* — Patricia Palasik

(74) *Attorney, Agent, or Firm* — Corinne Gorski

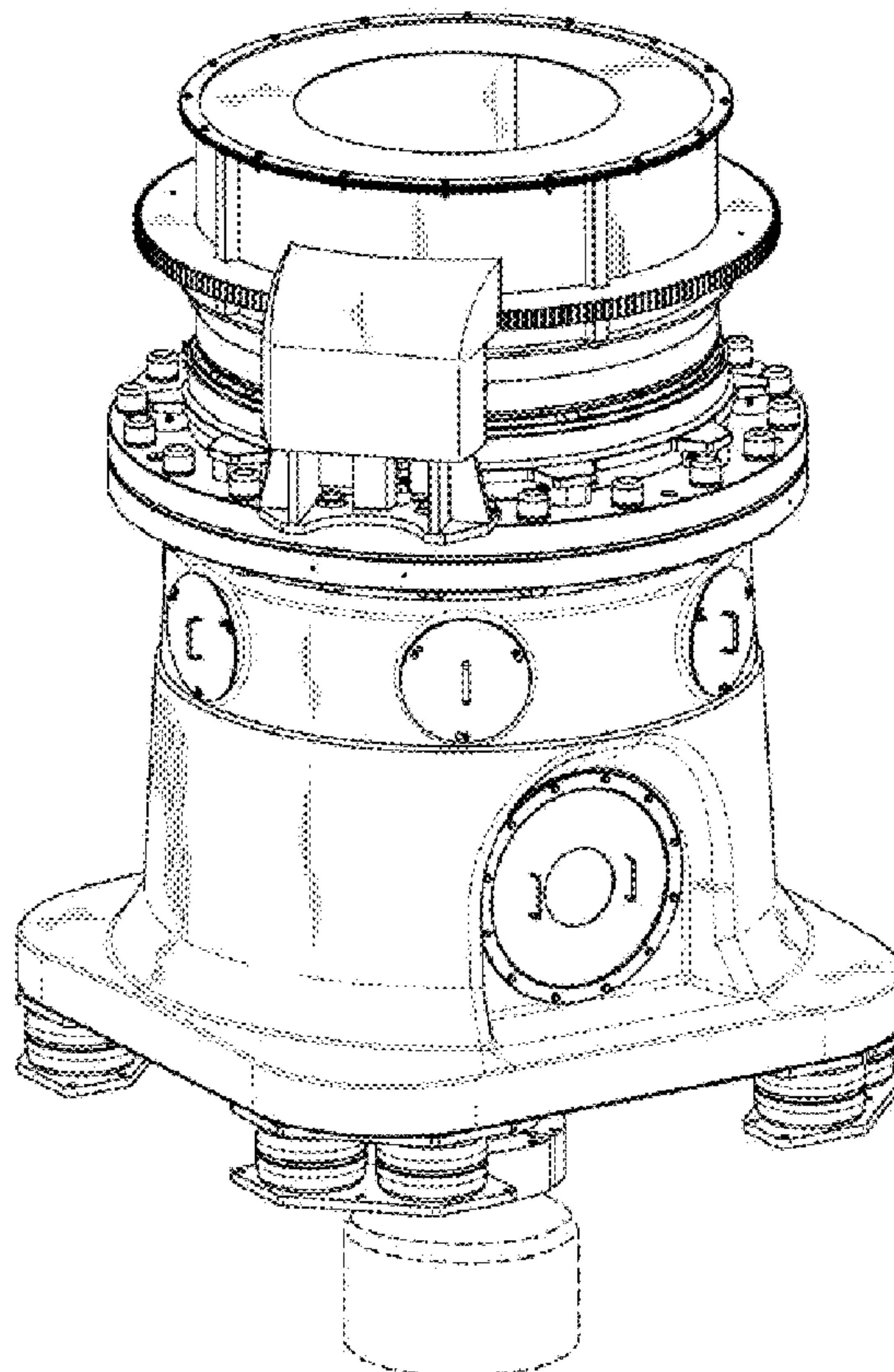
(57) **CLAIM**

The ornamental design for a crushing apparatus, as shown.

**DESCRIPTION**

FIG. 1 is a perspective view of a crushing apparatus;  
FIG. 2 is a side view from one side thereof;  
FIG. 3 is front view thereof;  
FIG. 4 is a side view of the other side thereof;  
FIG. 5 is a back view thereof; and,  
FIG. 6 is a top plan view thereof.

**1 Claim, 6 Drawing Sheets**



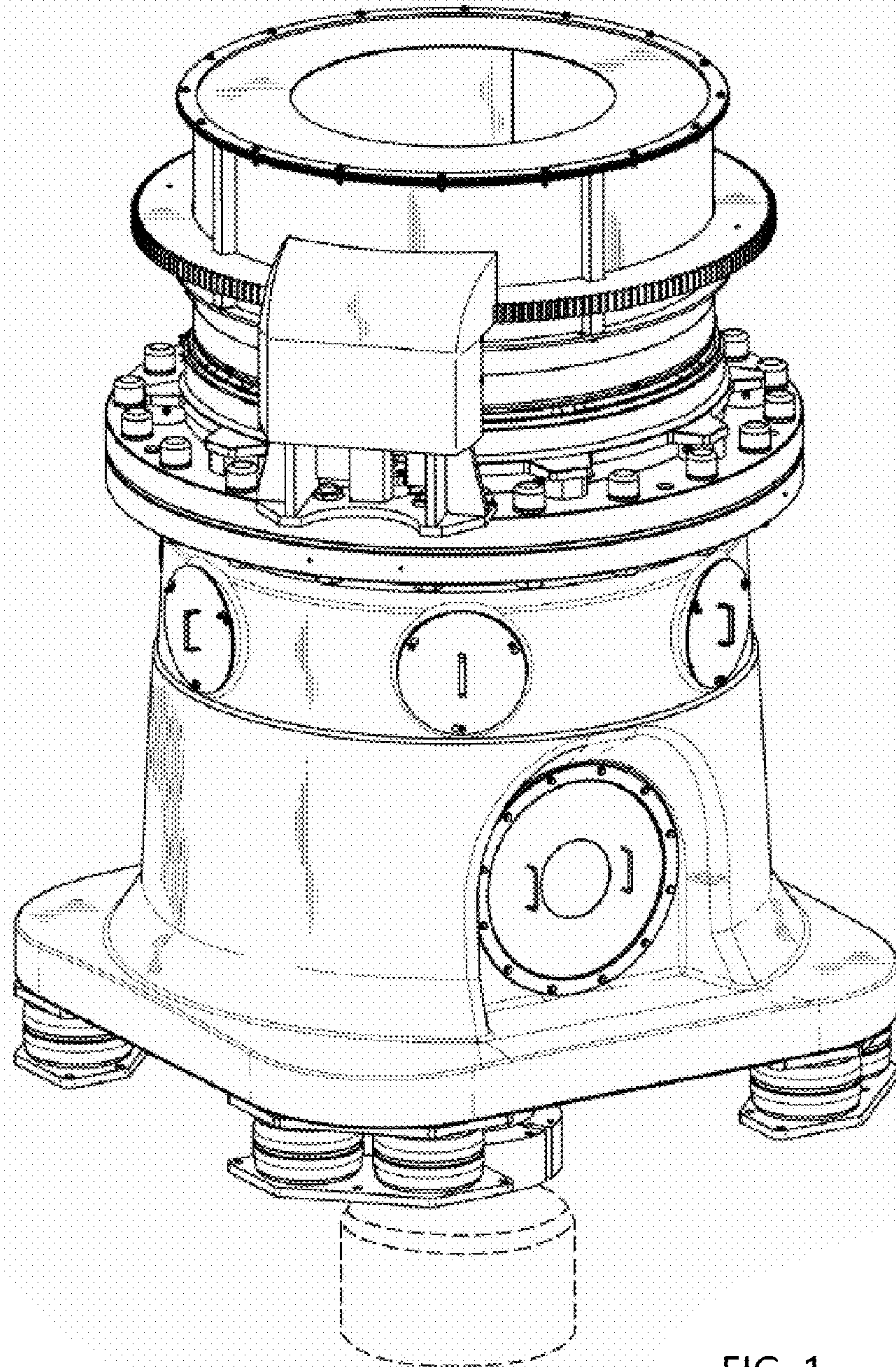


FIG. 1



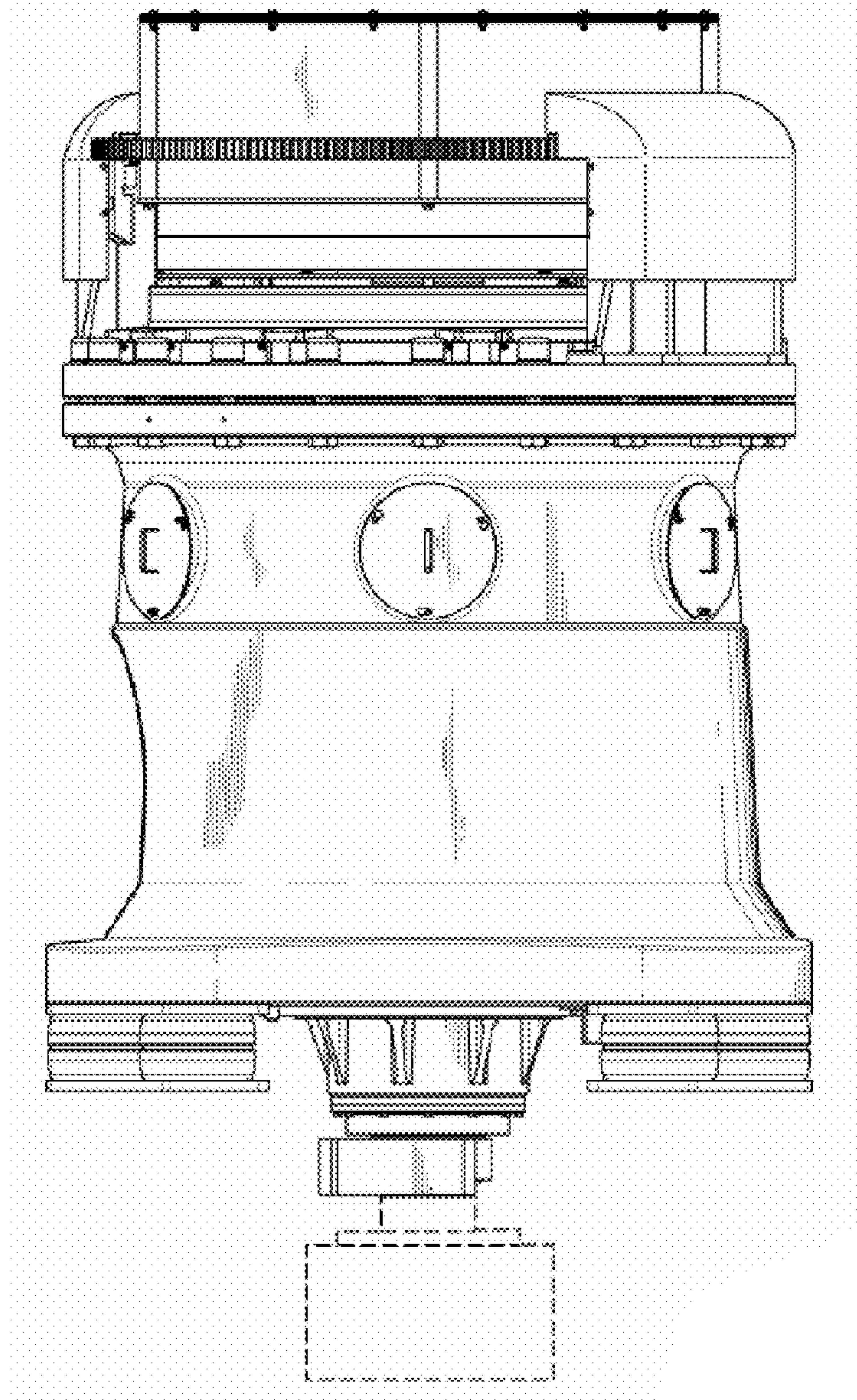


FIG. 2

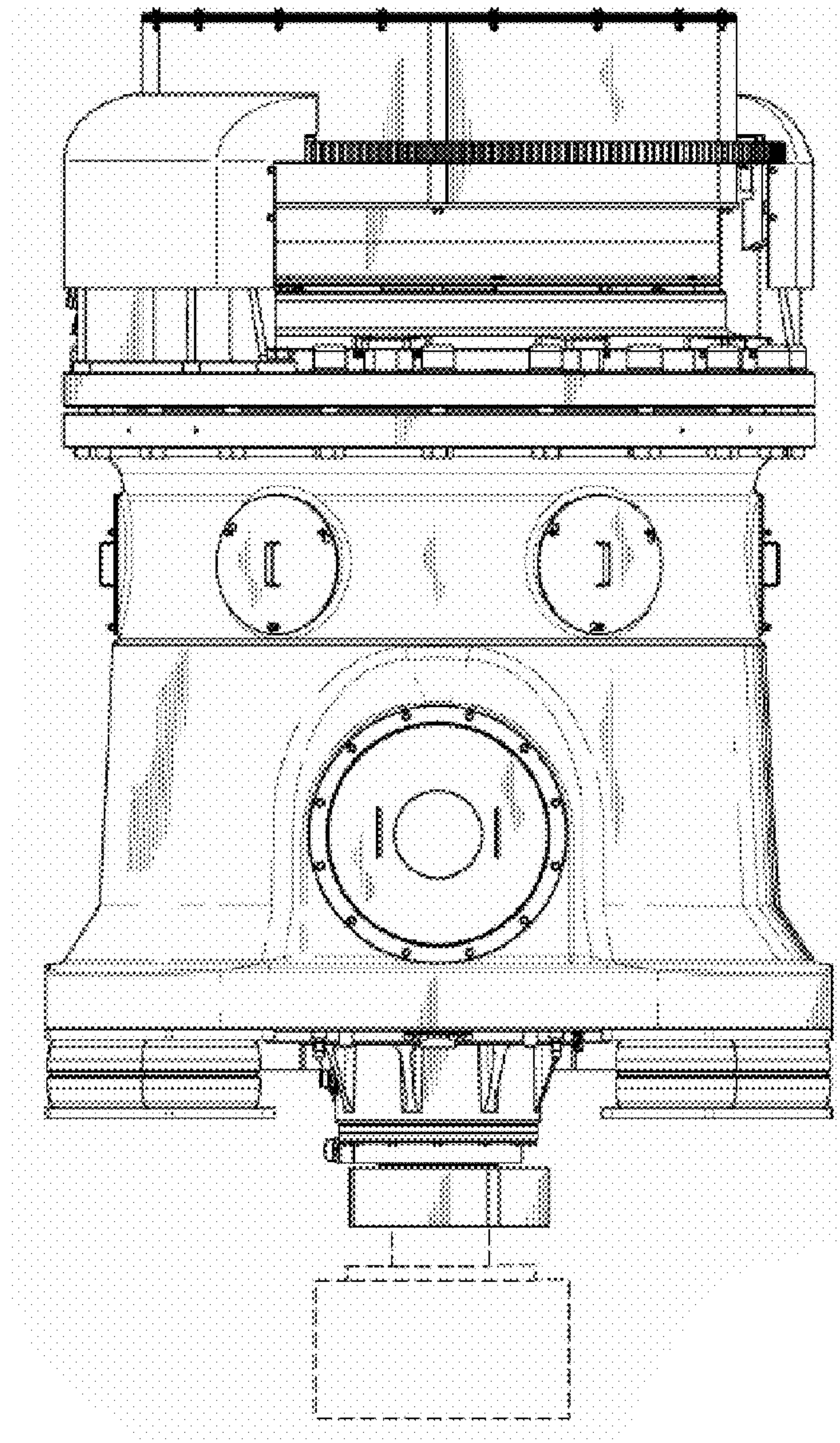


FIG. 3

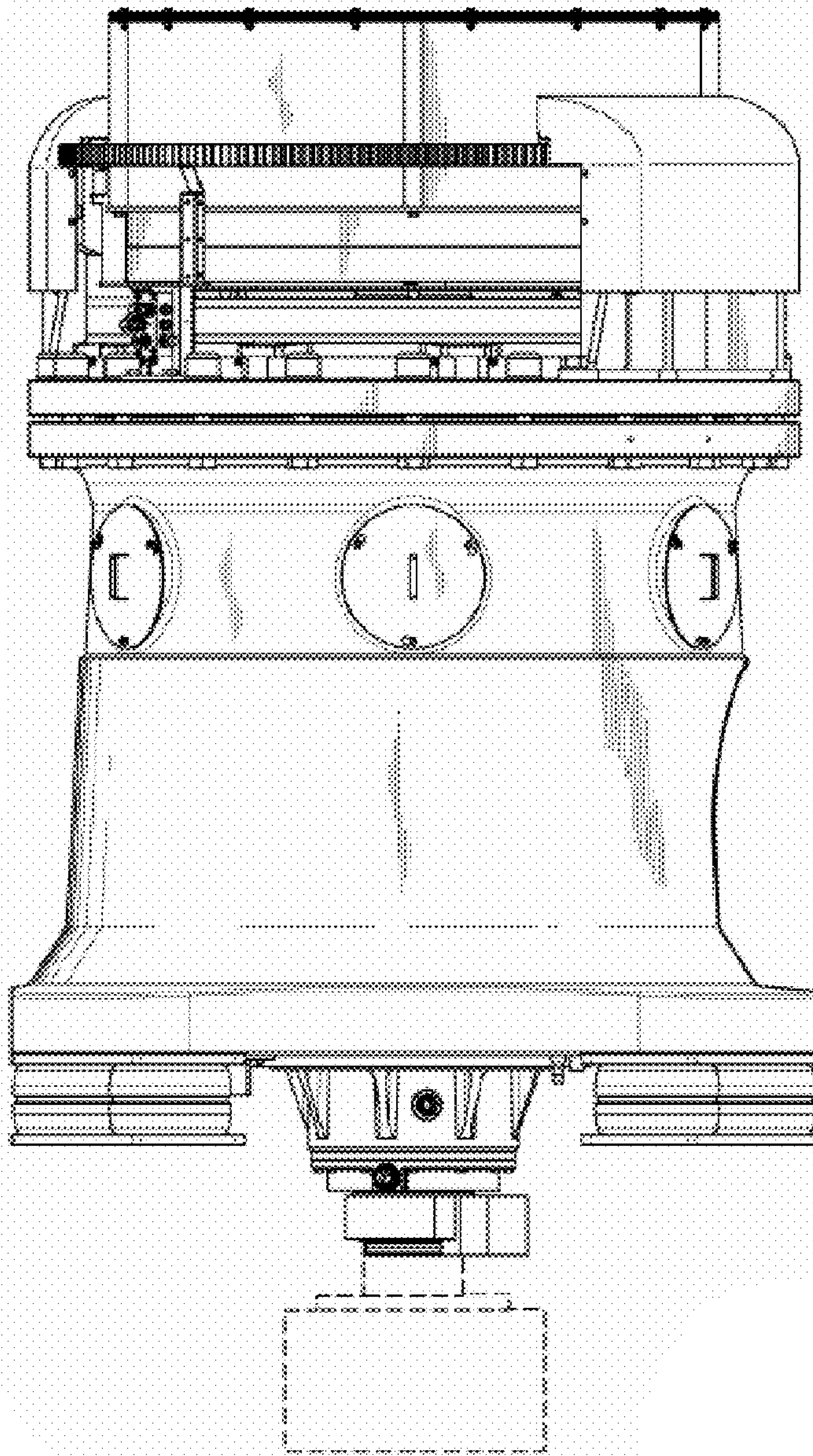


FIG. 4



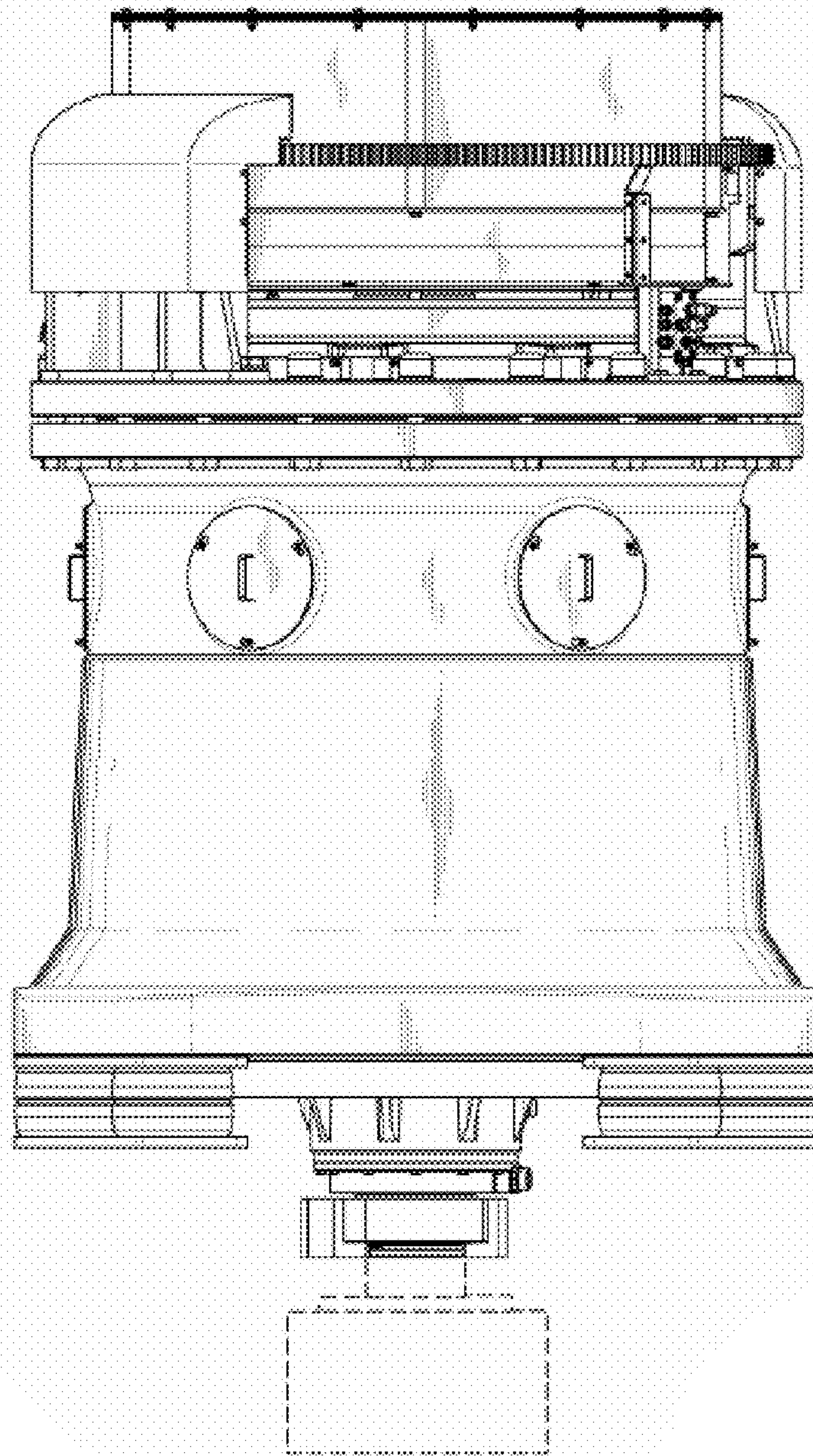


FIG. 5

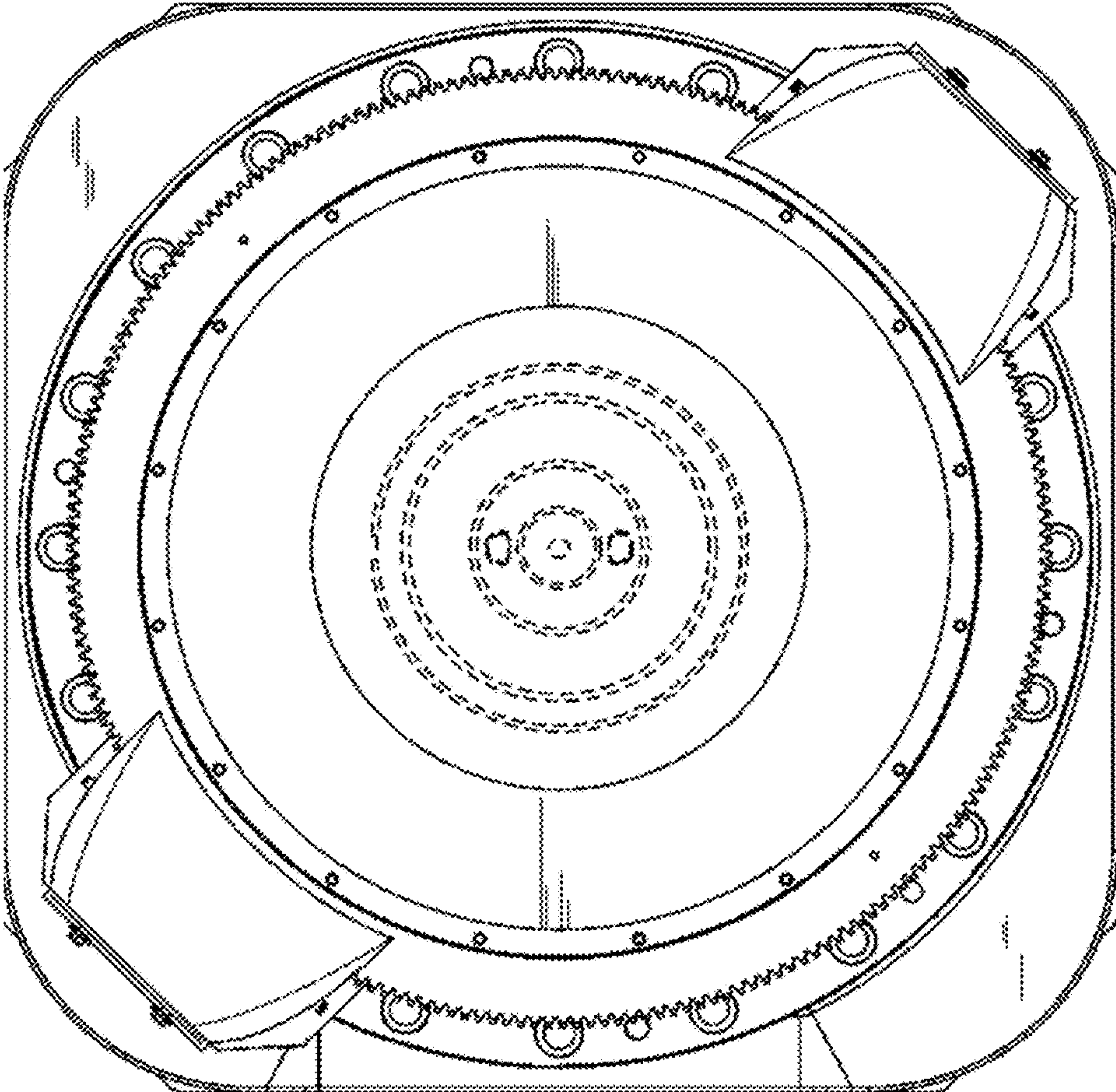


FIG. 6