



US00D724630S

(12) **United States Design Patent**
Jeon et al.

(10) **Patent No.:** **US D724,630 S**
(45) **Date of Patent:** **** Mar. 17, 2015**

(54) **REFRIGERATOR**

(71) Applicant: **Samsung Electronics Co., Ltd.**,
Suwon-si, Gyeonggi-do (KR)

(72) Inventors: **Sang-Woon Jeon**, Namyangju-si (KR);
Se-Youn Park, Incheon (KR);
Jae-Moon Lee, Seoul (KR)

(73) Assignee: **Samsung Electronics Co., Ltd.** (KR)

(**) Term: **14 Years**

(21) Appl. No.: **29/466,060**

(22) Filed: **Sep. 4, 2013**

(30) **Foreign Application Priority Data**

Mar. 5, 2013 (KR) 30-2013-0011115

(51) **LOC (10) Cl.** **15-07**

(52) **U.S. Cl.**
USPC **D15/89**

(58) **Field of Classification Search**
USPC D15/79-91; D32/1, 5, 6, 8, 25, 28;
312/236, 352, 400-408, 114-119;
62/3.1-3.64, 293, 371, 400, 467, 529,
62/531

See application file for complete search history.

(56) **References Cited**

U.S. PATENT DOCUMENTS

D508,059 S * 8/2005 Seok et al. D15/86
D614,209 S * 4/2010 Kristiansen et al. D15/86
D615,109 S * 5/2010 Yang et al. D15/86

D641,384 S * 7/2011 Yang et al. D15/86
D660,325 S * 5/2012 Yang et al. D15/86
D671,964 S * 12/2012 Hong et al. D15/86
D674,417 S * 1/2013 Seo et al. D15/86
D674,823 S * 1/2013 Jidam et al. D15/86
D676,467 S * 2/2013 Kim D15/86
D689,104 S * 9/2013 Yang et al. D15/91

* cited by examiner

Primary Examiner — Stella Reid

Assistant Examiner — Khawaja Anwar

(74) *Attorney, Agent, or Firm* — Cantor Colburn LLP

(57) **CLAIM**

The ornamental design for a refrigerator, as shown and described.

DESCRIPTION

FIG. 1 is a perspective view of a refrigerator, showing our new design;

FIG. 2 is a front elevation view thereof;

FIG. 3 is a rear elevation view thereof;

FIG. 4 is a side elevation view thereof;

FIG. 5 is a another side elevation view thereof;

FIG. 6 is a top plan view thereof;

FIG. 7 is a bottom plan view thereof;

FIG. 8 is an enlarged view of the encircled portion shown in FIG. 1; and,

FIG. 9 is an enlarged cross-sectional view thereof, as taken along the lines 9-9 shown in FIG. 2.

The broken lines in the drawings show unclaimed environment only and form no part of the claimed design.

The dot-dash broken lines encircling the portion of the claimed design that is illustrated in an enlargement form no part of the claimed design.

1 Claim, 8 Drawing Sheets

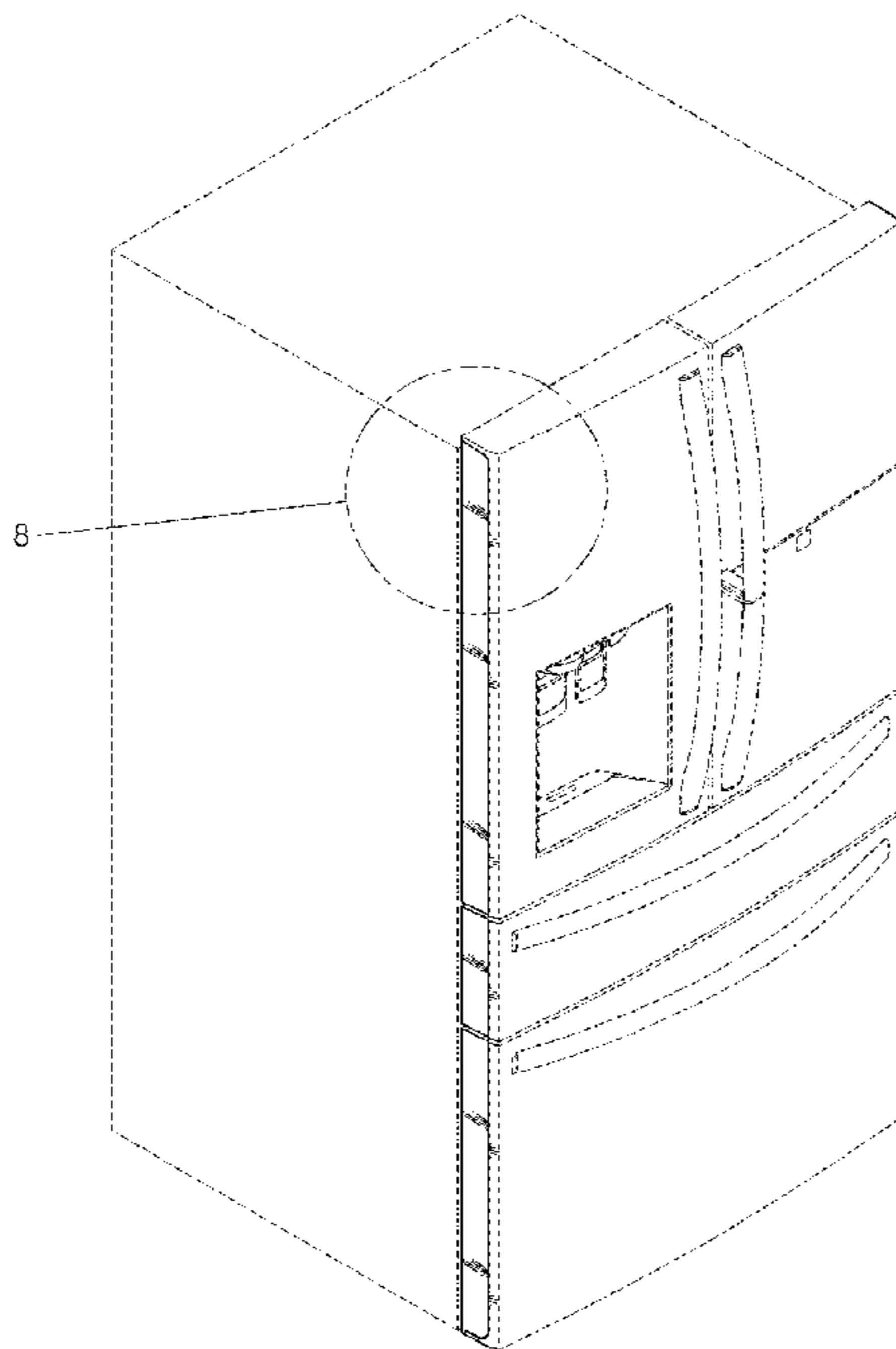


FIG. 1

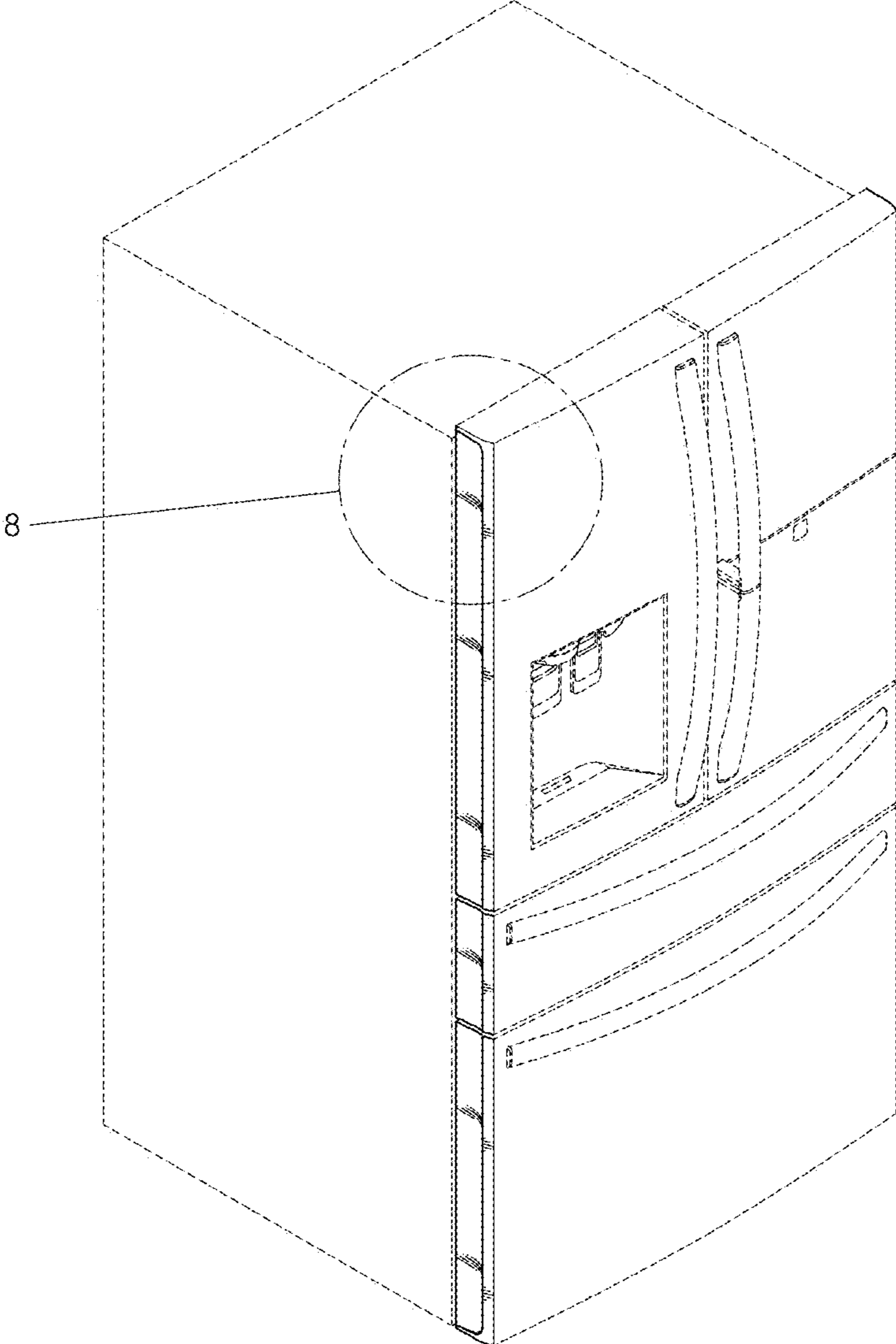


FIG. 2

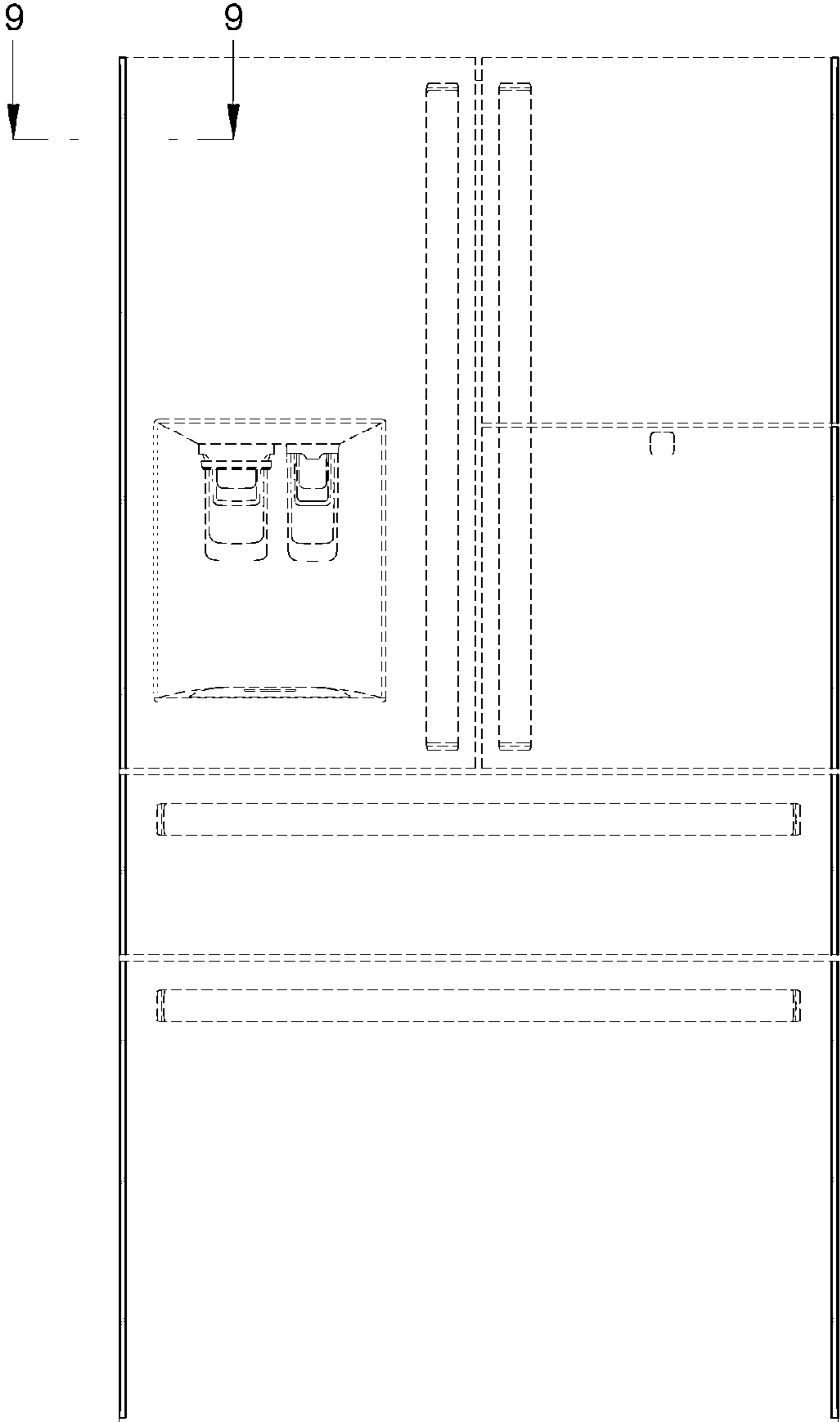


FIG. 3



FIG. 4

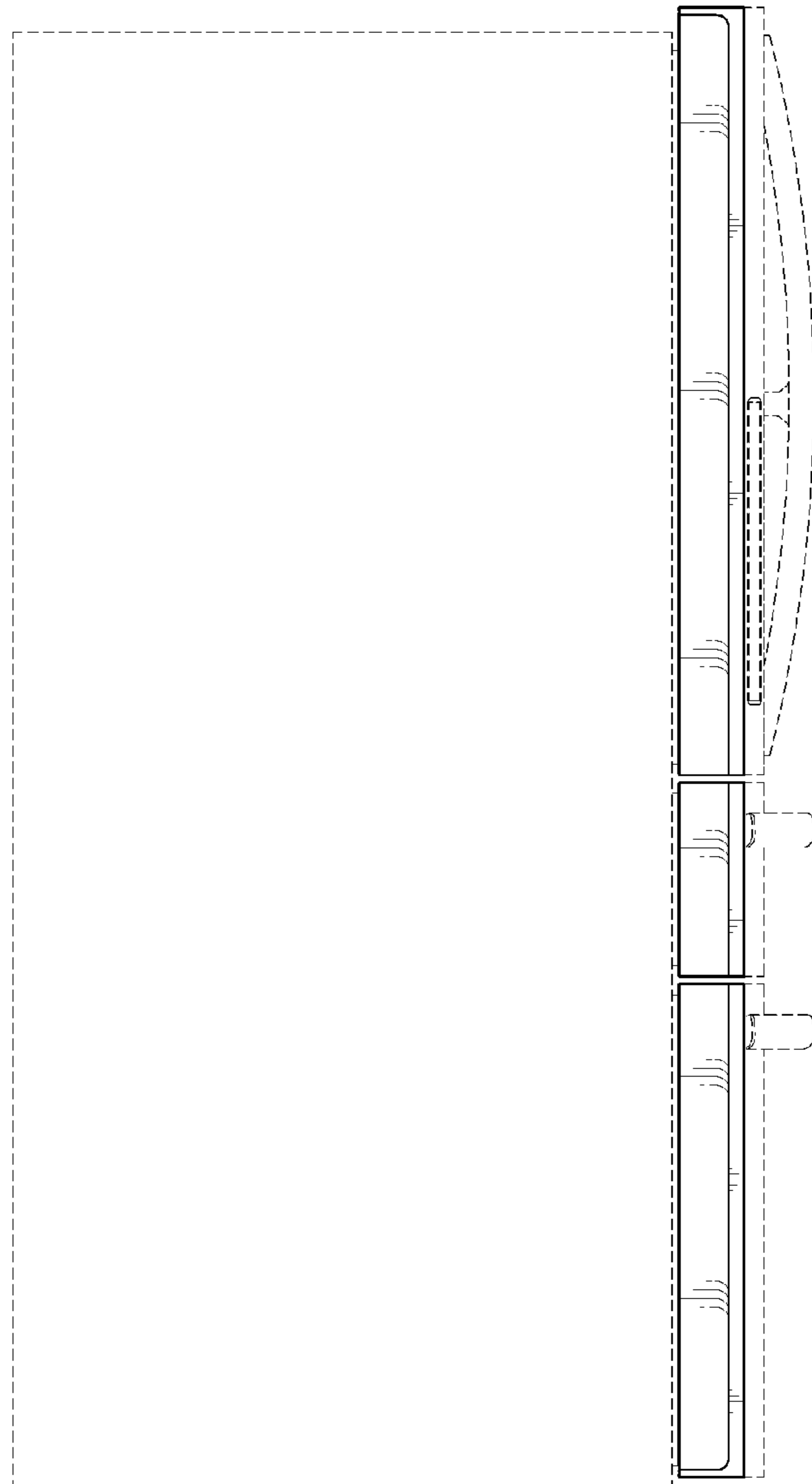


FIG. 5

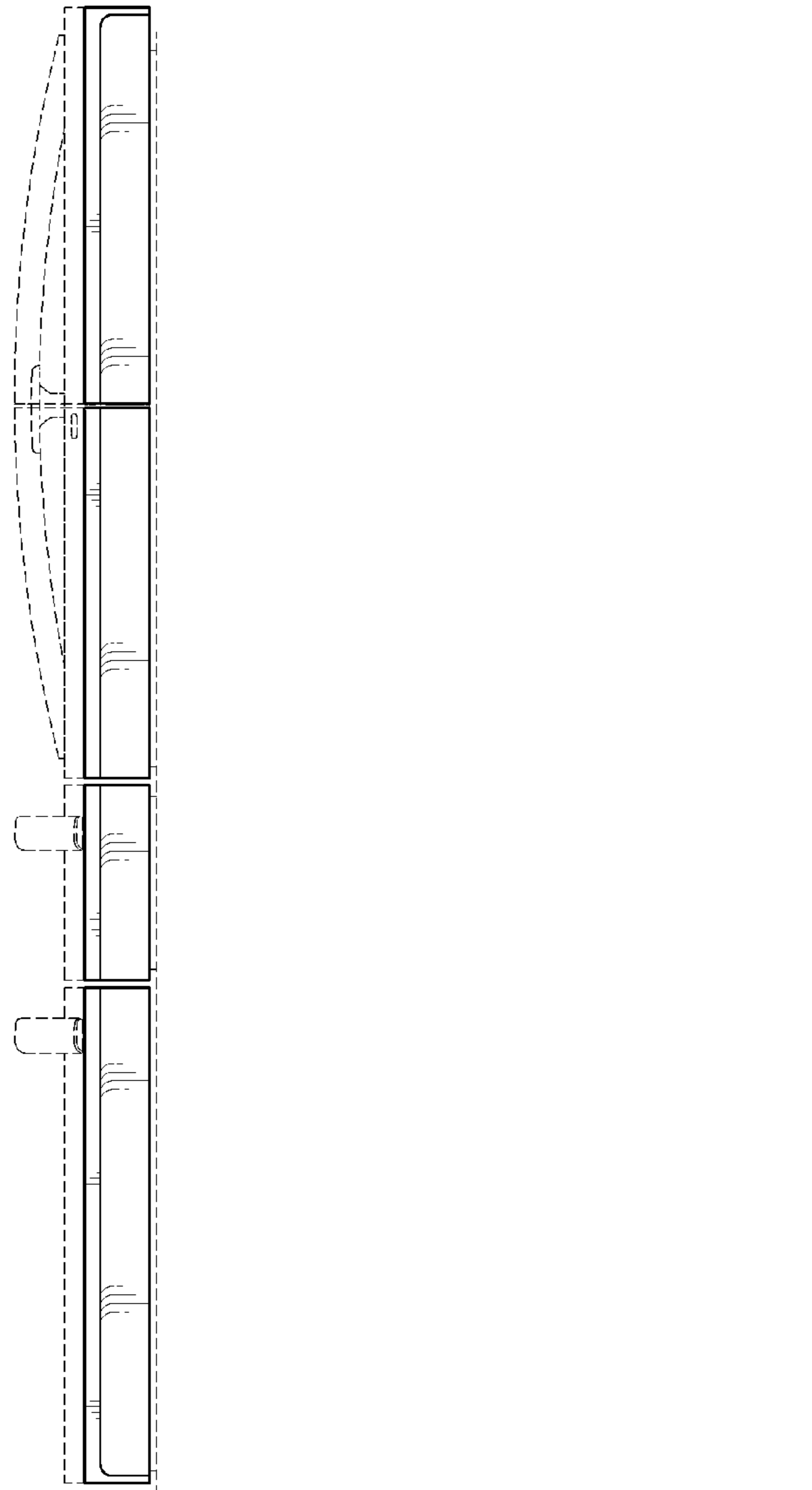


FIG. 6

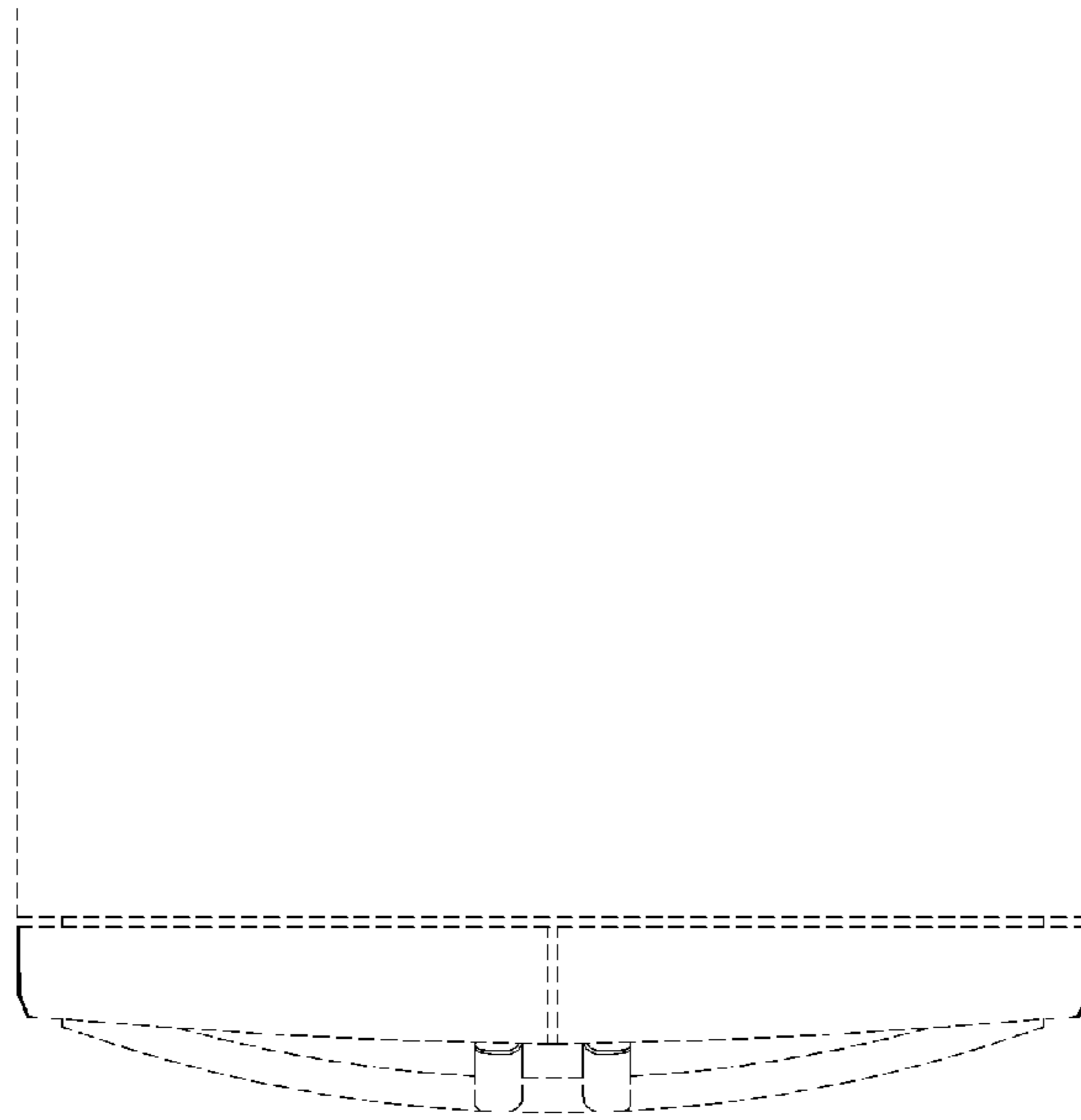


FIG. 7

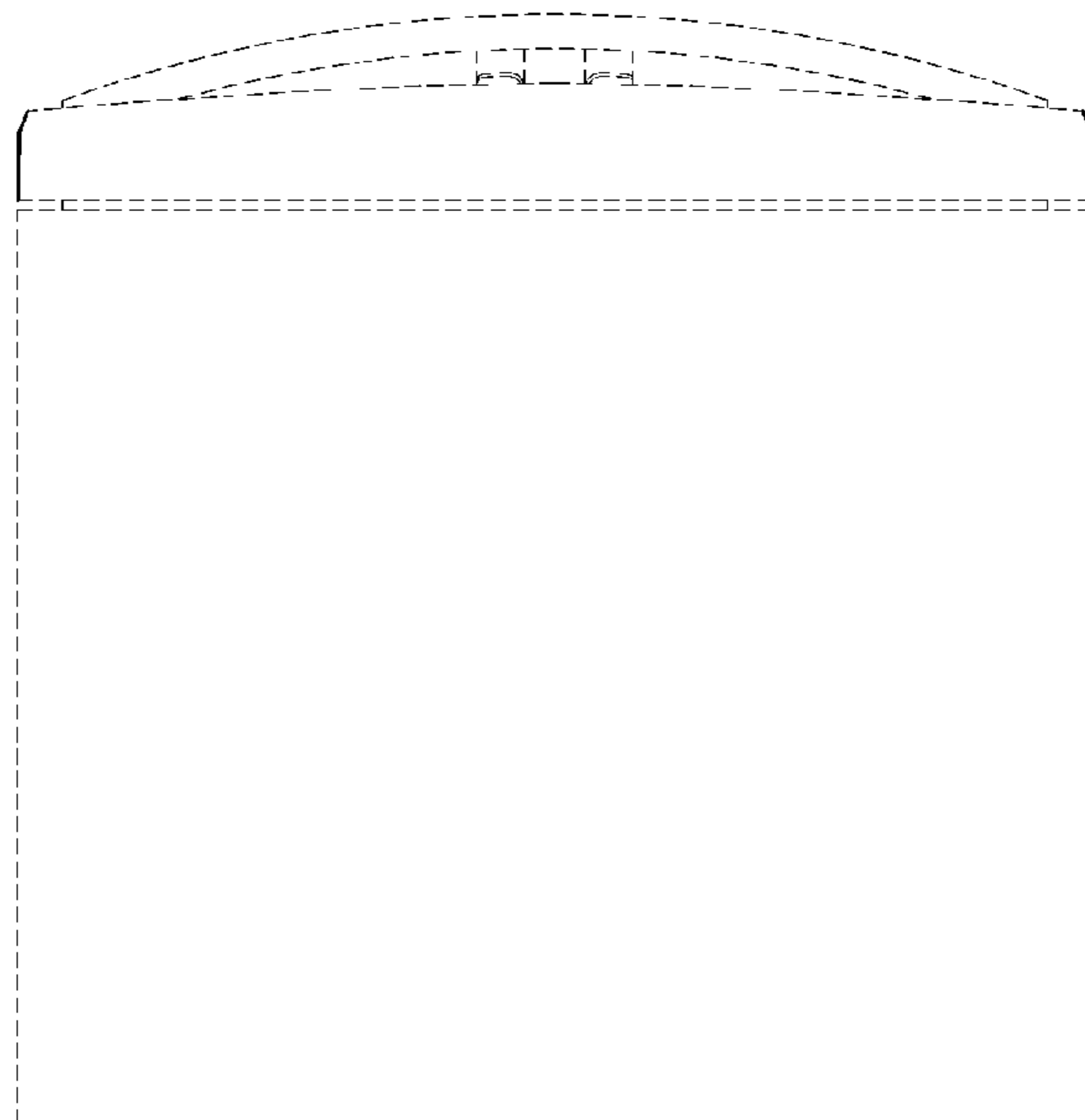


FIG. 8

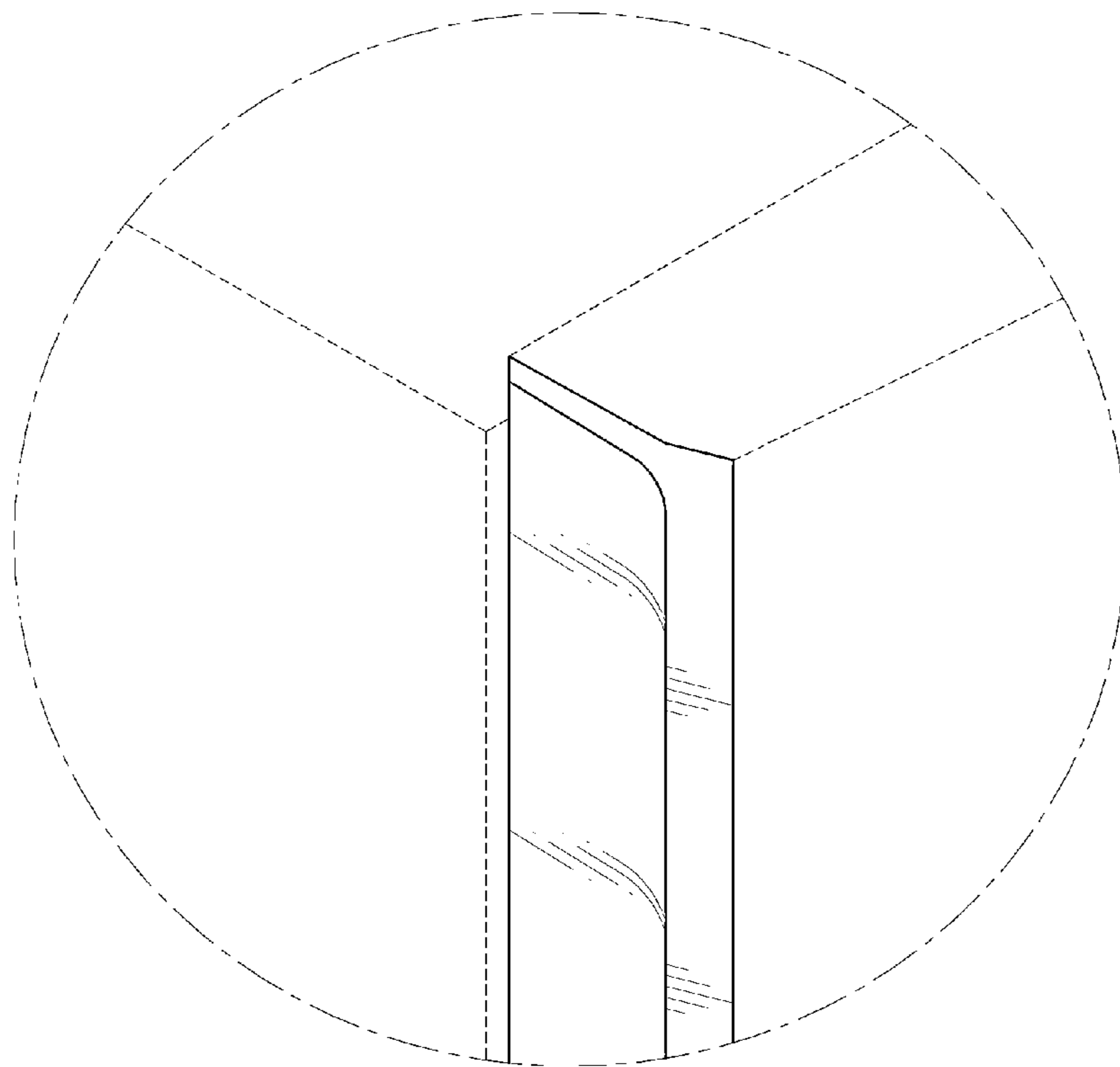


FIG. 9

