



US00D724626S

(12) **United States Design Patent**
Mehta

(10) **Patent No.:** **US D724,626 S**
(45) **Date of Patent:** **** Mar. 17, 2015**

(54) **COMBINED INTERACTIVE CONTROL UNIT AND COMPRESSOR FOR AN AIR BRUSH**

(71) Applicant: **Je Matadi, Inc.**, Stafford, TX (US)

(72) Inventor: **Pershant Mehta**, Stafford, TX (US)

(73) Assignee: **Je Matadi, Inc.**, Stafford, TX (US)

(**) Term: **14 Years**

(21) Appl. No.: **29/469,995**

(22) Filed: **Oct. 16, 2013**

(51) **LOC (10) Cl.** **15-02**

(52) **U.S. Cl.**
USPC **D15/9**

(58) **Field of Classification Search**
USPC D15/7-9; D23/231, 232, 225; 417/60, 417/235, 265, 321, 355, 358, 363, 359, 417/410.1, 415-416, 405, 900; 60/408, 60/412; 184/26-37; 415/140-147; 123/495, 509

See application file for complete search history.

(56) **References Cited**

U.S. PATENT DOCUMENTS

D314,420 S * 2/1991 Tomatsu D23/225
6,937,755 B2 8/2005 Orpaz et al.
D533,879 S * 12/2006 Chen D15/7
D582,945 S * 12/2008 Chou D15/9

D627,795 S * 11/2010 Eckhardt D15/9
D629,424 S * 12/2010 Eckhardt D15/9
7,950,925 B2 5/2011 McDaniel et al.
D657,801 S * 4/2012 Eckhardt D15/9
D672,368 S * 12/2012 Wong D15/9
8,523,570 B2 9/2013 Mallick et al.
D703,241 S * 4/2014 Eckhardt et al. D15/9

* cited by examiner

Primary Examiner — Ralf Seifert

(74) *Attorney, Agent, or Firm* — Andrew W. Chu; Craft Chu PLLC

(57) **CLAIM**

The ornamental design for a combined interactive control unit and compressor for an air brush, as shown and described.

DESCRIPTION

FIG. 1 is an upper perspective view of the combined interactive control unit and compressor for an air brush showing my design.

FIG. 2 is a front elevation view thereof;

FIG. 3 is a back elevation view thereof;

FIG. 4 is a side elevation view thereof;

FIG. 5 is an opposite side elevation view thereof;

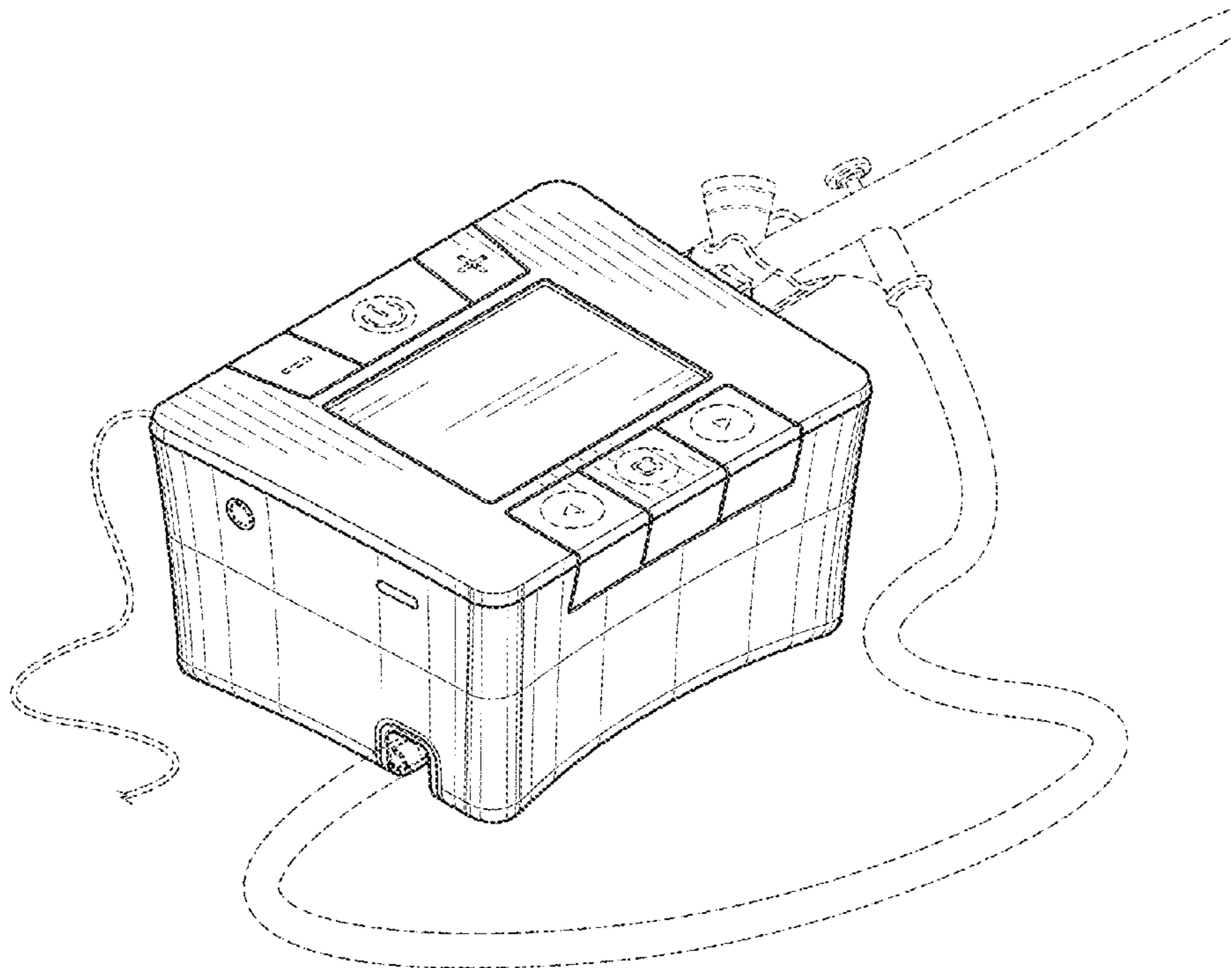
FIG. 6 is a top plan view thereof;

FIG. 7 is a bottom plan view thereof; and,

FIG. 8 is another perspective view thereof, showing components of interactive control unit in broken lines.

The broken lines are included for the purpose of illustrating portions of the combined interactive control unit and compressor for an air brush that form no part of the claimed design.

1 Claim, 3 Drawing Sheets



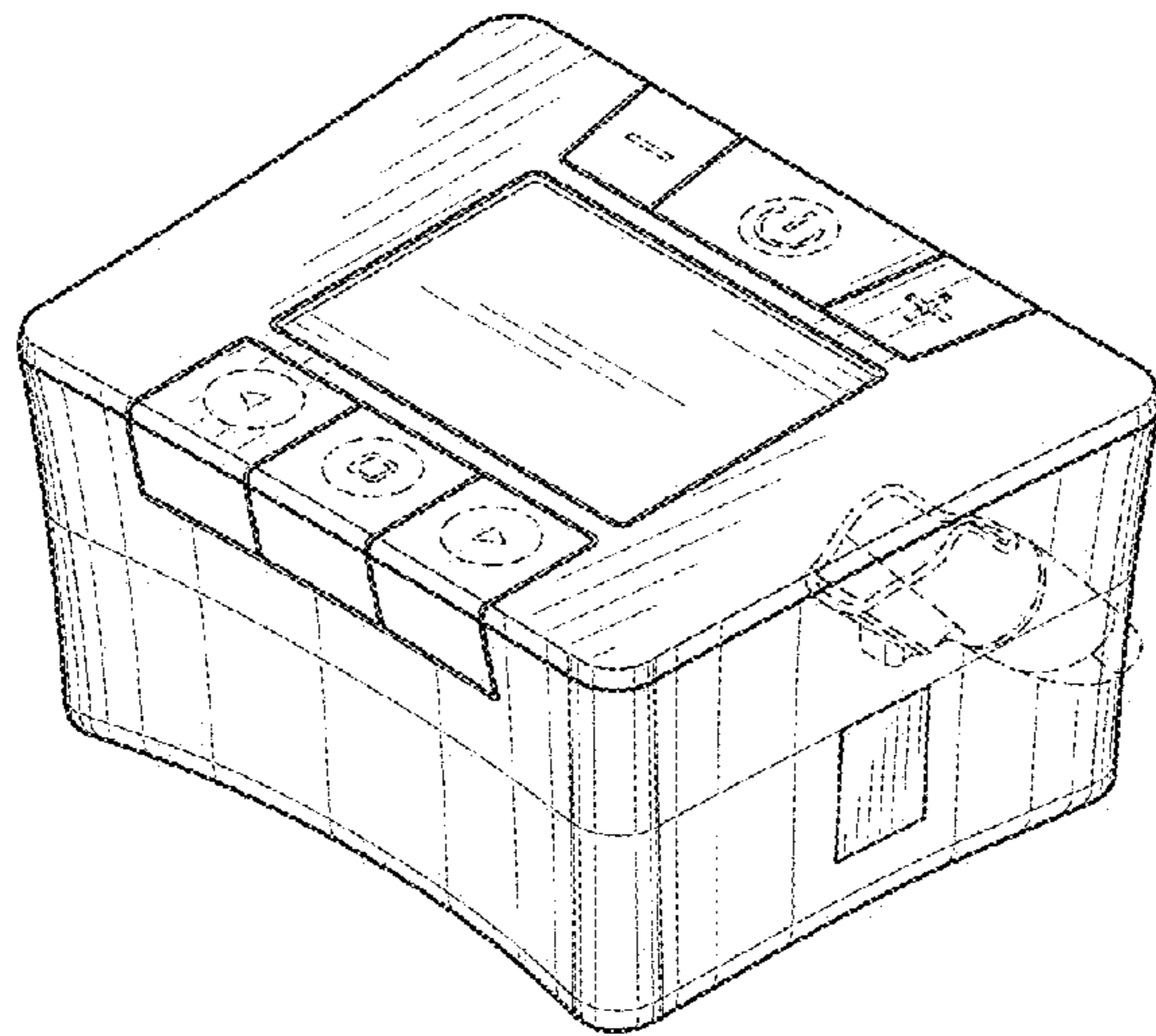


FIG. 1

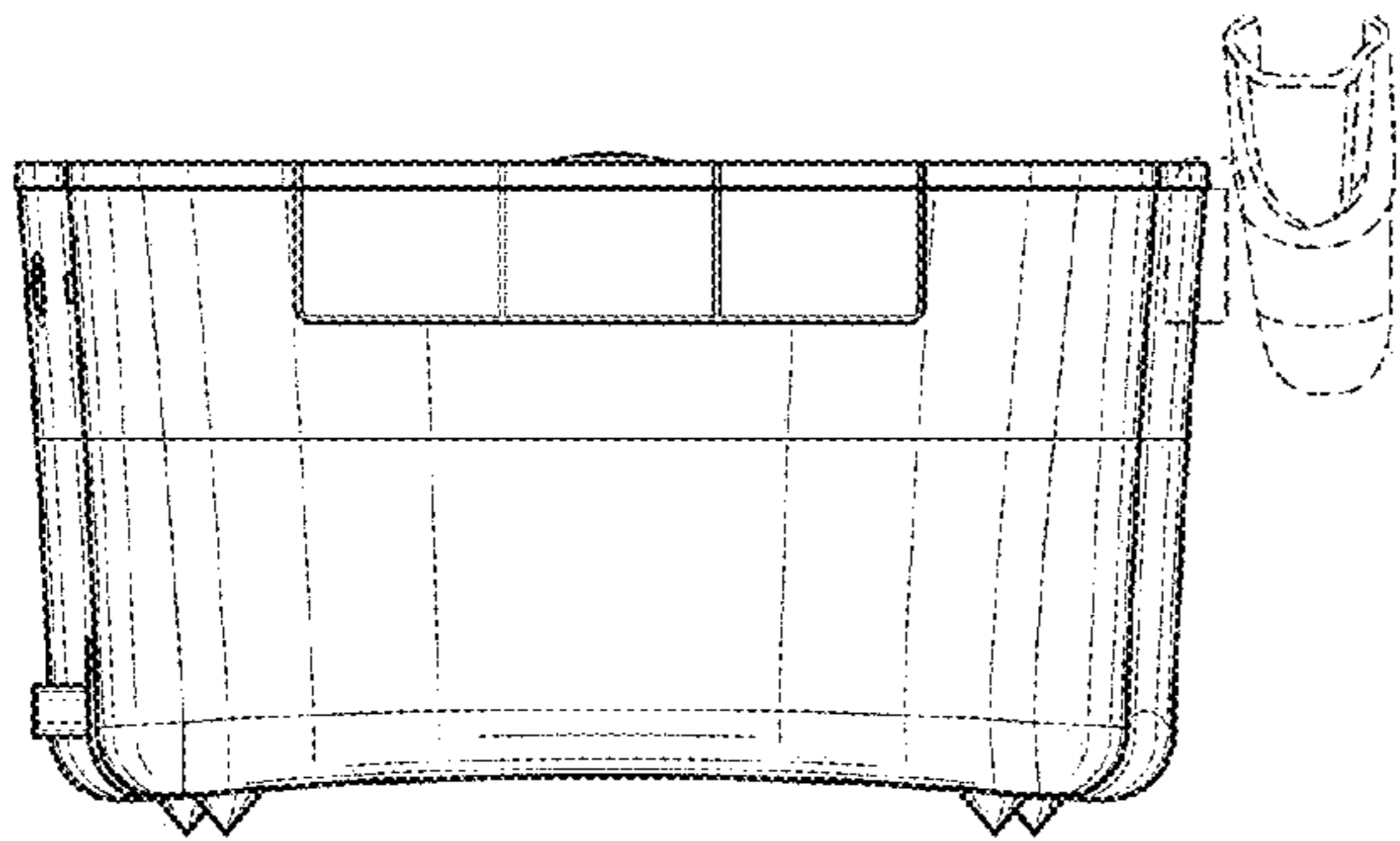


FIG. 2

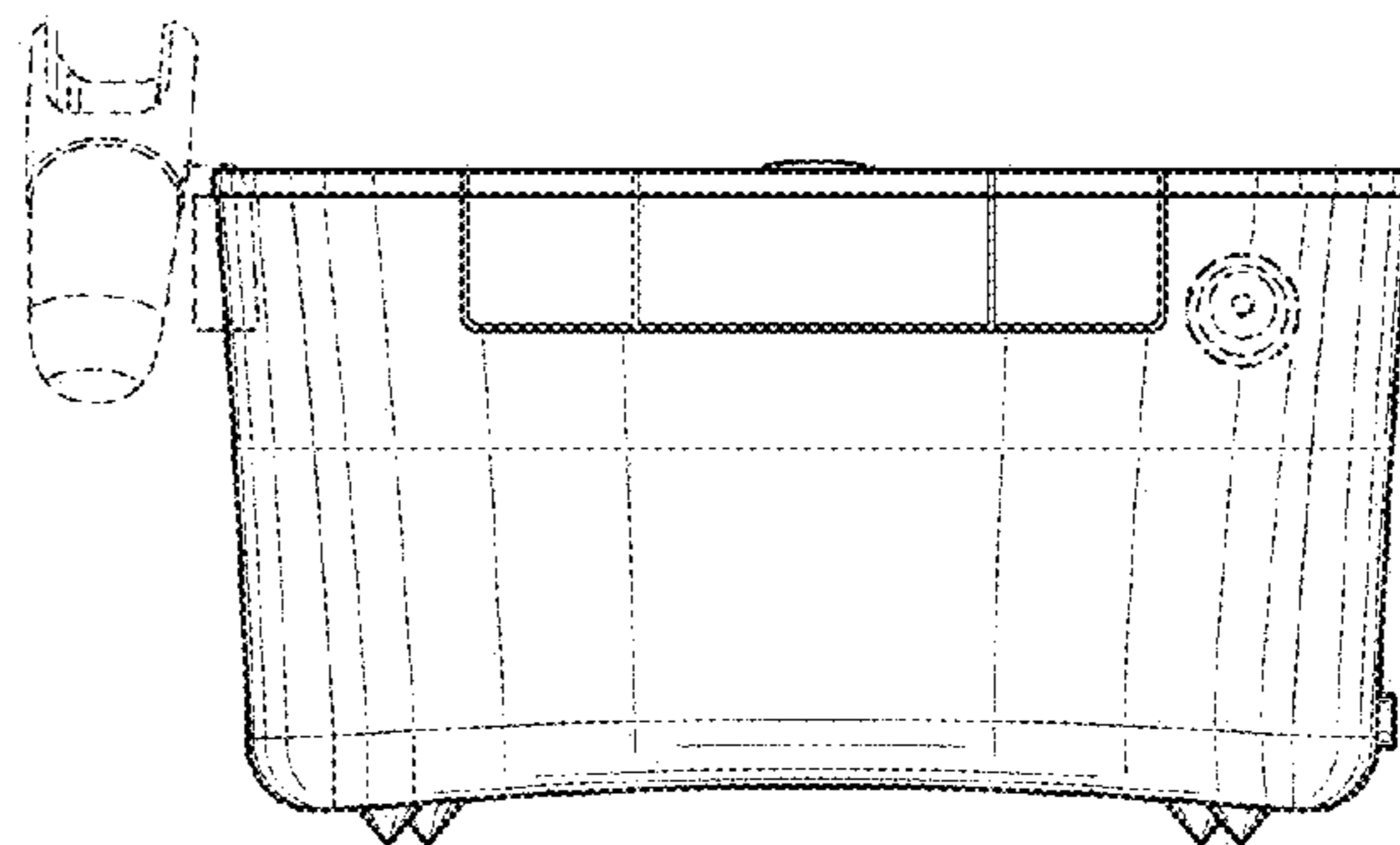


FIG. 3

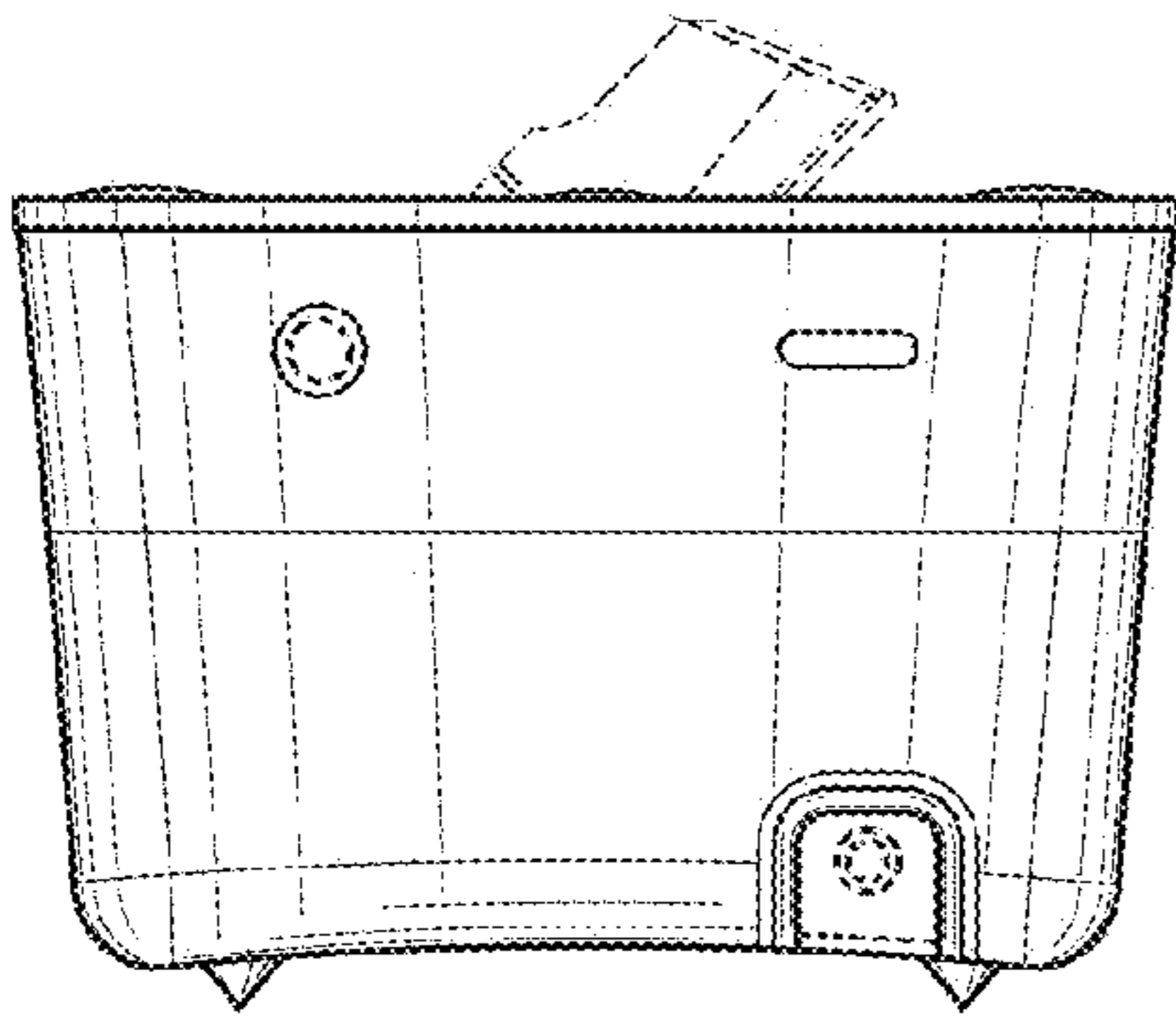


FIG. 4

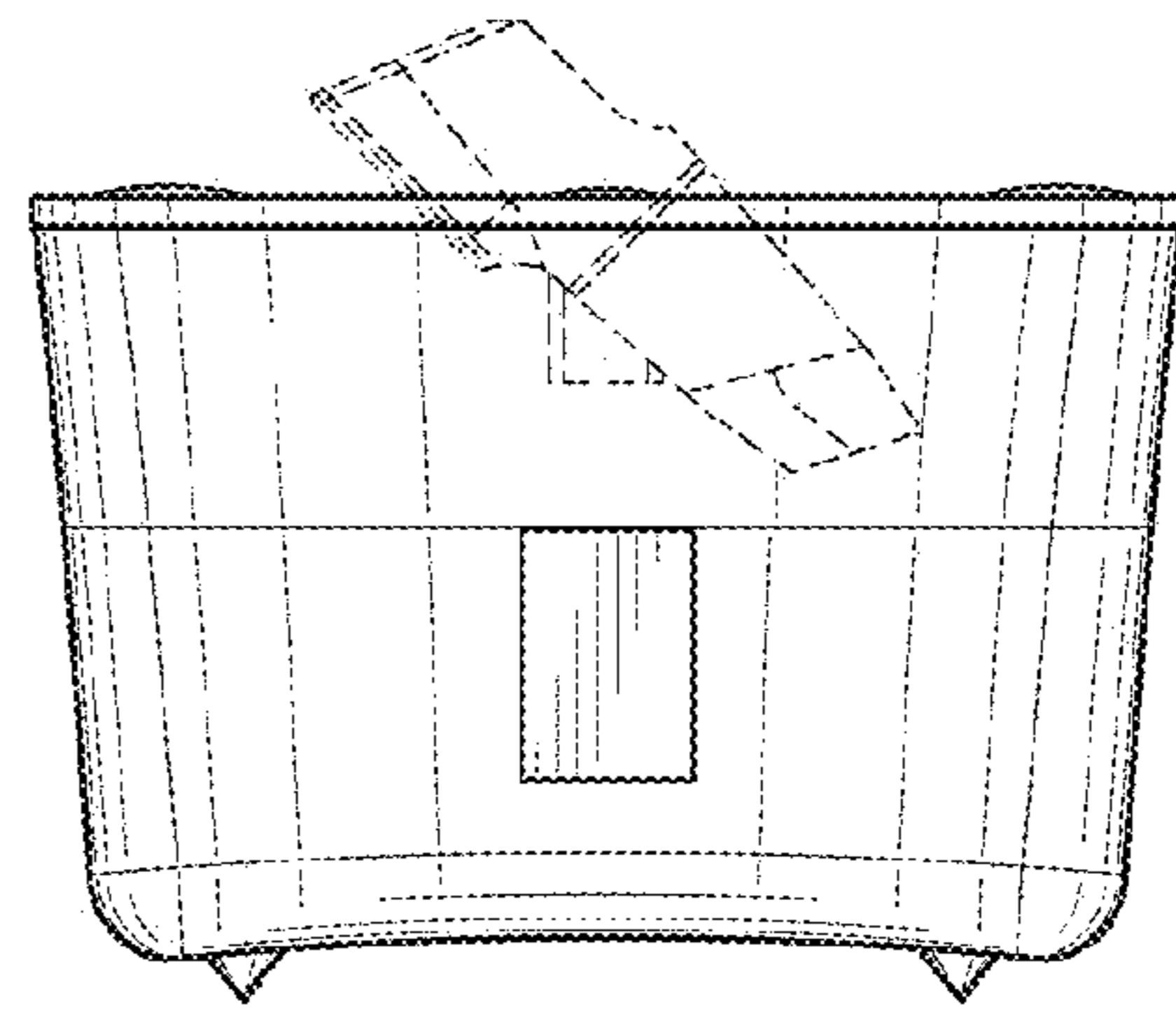


FIG. 5

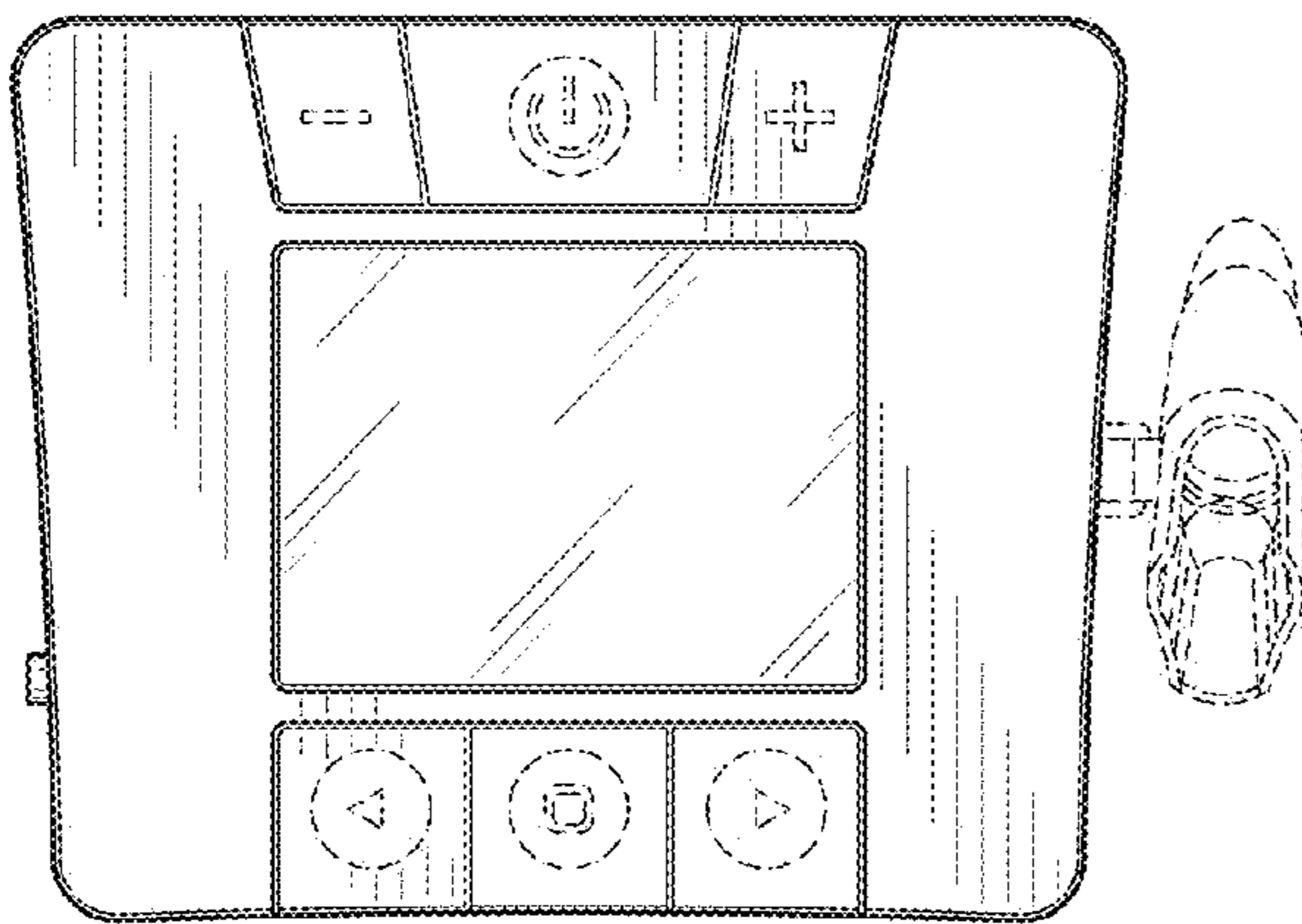


FIG. 6

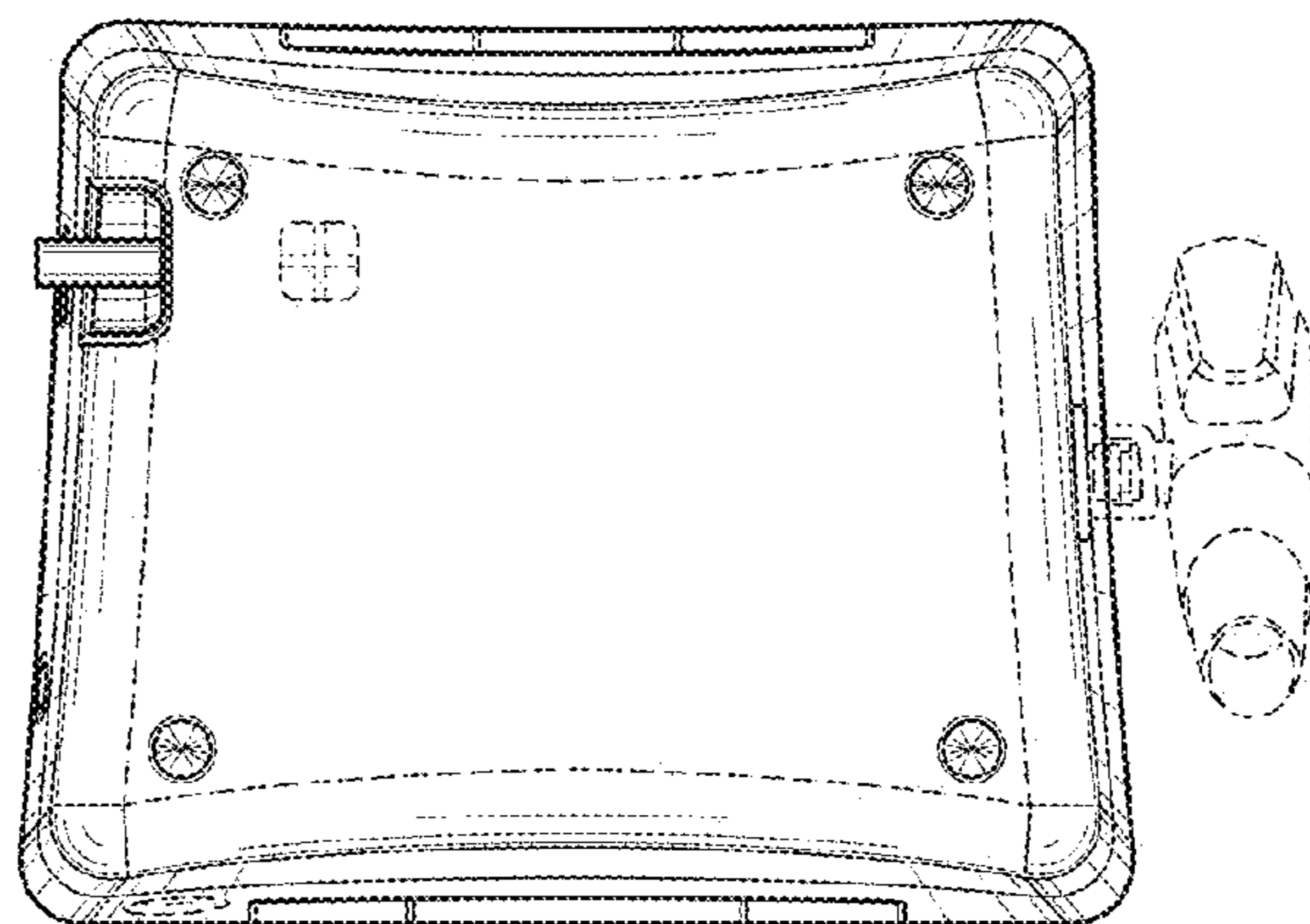


FIG. 7

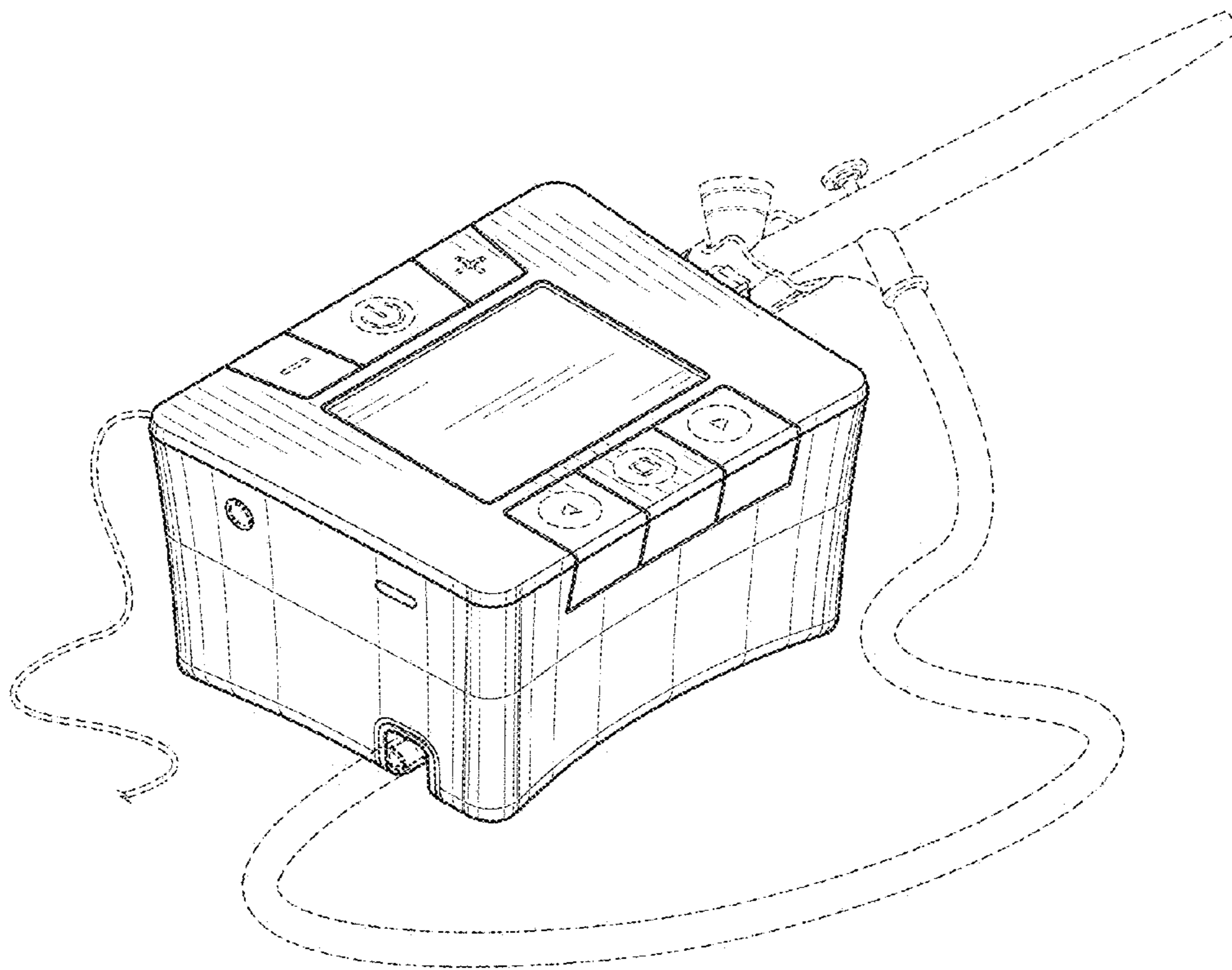


FIG. 8