

US00D724625S

(12) **United States Design Patent**
Souney

(10) **Patent No.:** **US D724,625 S**
(45) **Date of Patent:** **** Mar. 17, 2015**

(54) **COMBINED CASE FOR PUMP AND BATTERY
BACK UP**

(71) Applicant: **Currie Medical Specialties, Inc.,**
Rancho Cucamonga, CA (US)
(72) Inventor: **Sean Souney,** Rancho Cucamonga, CA
(US)
(73) Assignee: **Currie Medical Specialties, Inc,**
Rancho Cucamonga, CA (US)
(**) Term: **14 Years**

(21) Appl. No.: **29/502,079**
(22) Filed: **Sep. 11, 2014**
(51) **LOC (10) Cl.** **15-02**
(52) **U.S. Cl.**
USPC **D15/7**
(58) **Field of Classification Search**
USPC D15/7-9; D23/231, 232, 225; 417/60,
417/235, 265, 321, 355, 358, 363, 359,
417/410.1, 415-416, 405, 900; 60/408,
60/412; 184/26-37; 415/140-147;
123/495, 509; D24/111

See application file for complete search history.

(56) **References Cited**
U.S. PATENT DOCUMENTS

D471,209 S * 3/2003 Wang D15/9
D672,367 S * 12/2012 Stansbury et al. D15/7
D689,523 S * 9/2013 Galbraith et al. D15/7
D700,915 S * 3/2014 Damhuis et al. D15/7

* cited by examiner

Primary Examiner — Ralf Seifert

(74) *Attorney, Agent, or Firm* — Paul B. Heynssens; Ater
Wynne LLP

(57) **CLAIM**

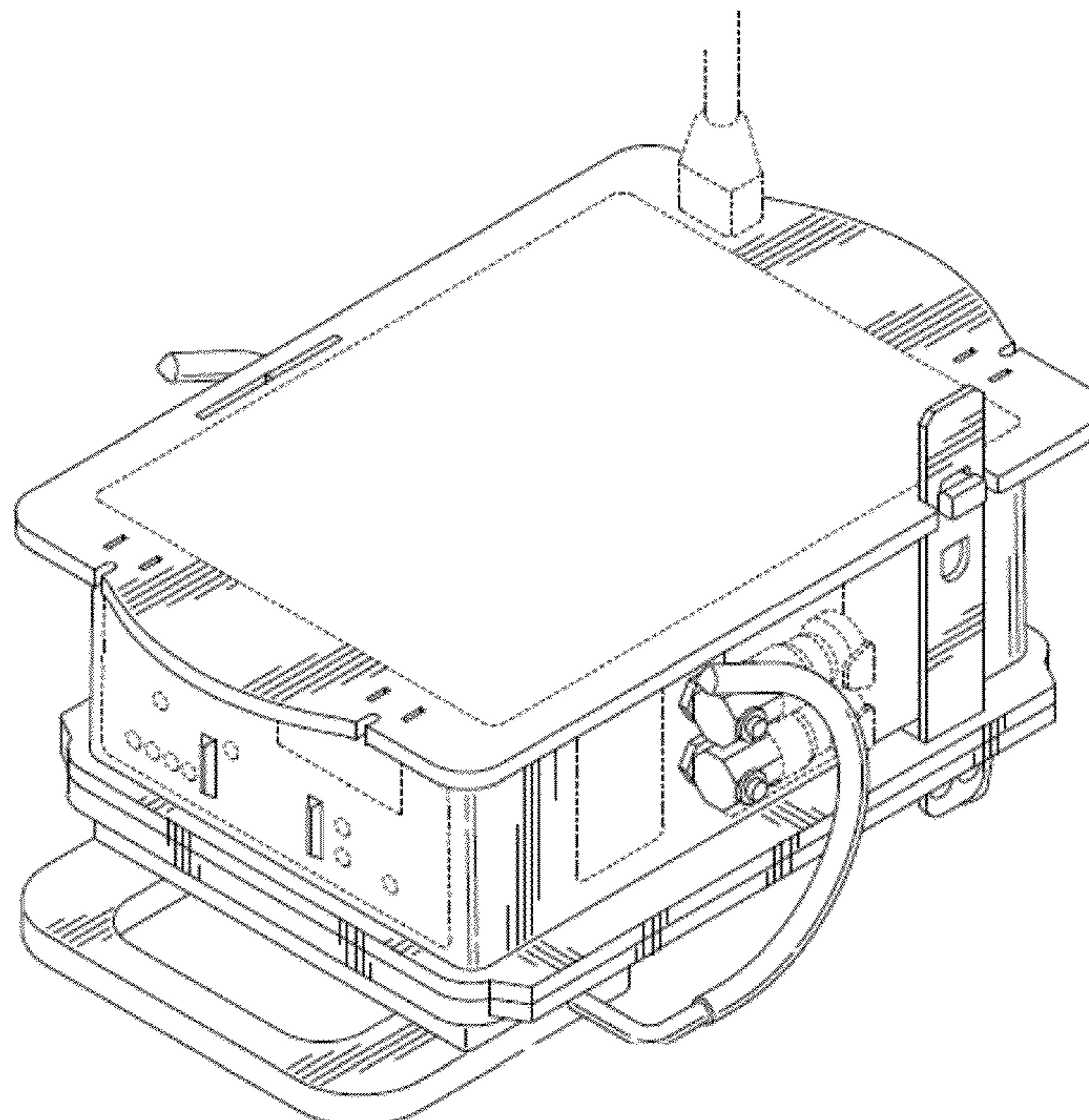
The ornamental design for a combined case for pump and
battery back up, as shown and described.

DESCRIPTION

FIG. 1 is a front perspective view of a combined case for
pump and battery back up showing my new design;
FIG. 2 is a front view thereof;
FIG. 3 is a right view thereof;
FIG. 4 is a left view thereof;
FIG. 5 is a top view thereof;
FIG. 6 is a bottom view thereof; and
FIG. 7 is a rear view thereof; and,
FIG. 8 is a front perspective view thereof showing legs
extended.

Any broken lines present are indicative of environmental
structure in the drawing and are not part of the design sought
to be patented.

1 Claim, 8 Drawing Sheets



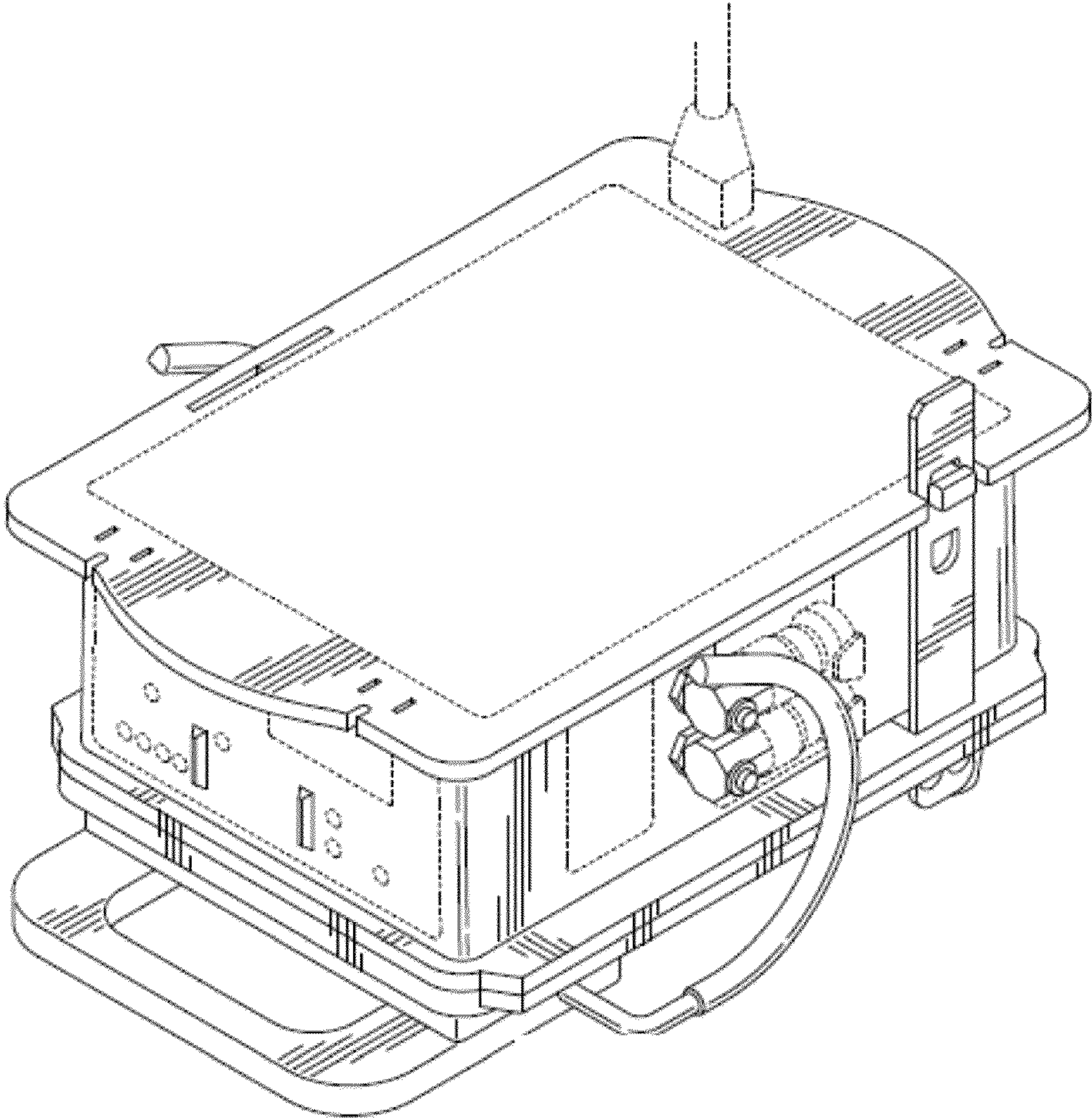


FIG. 1

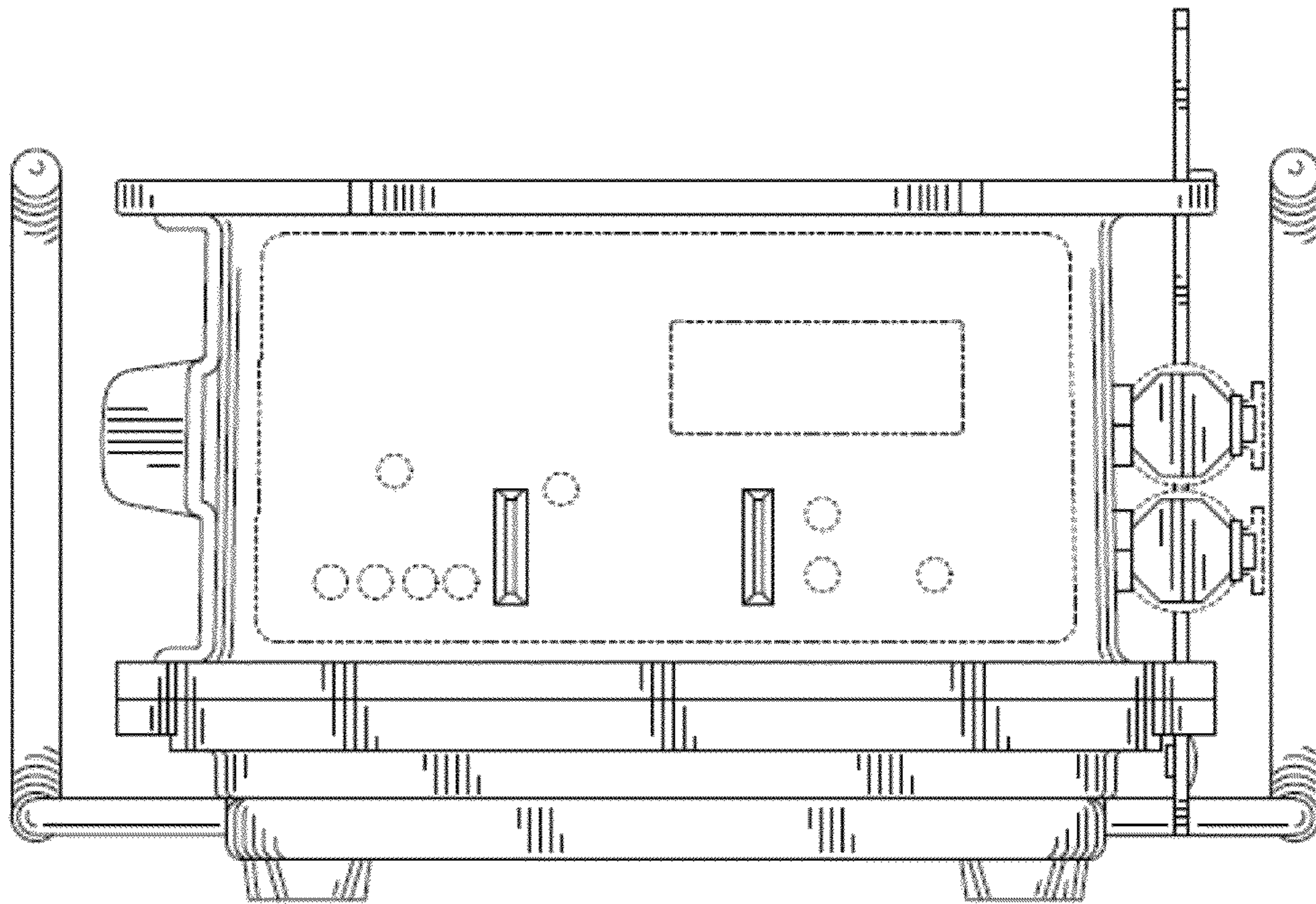


FIG. 2

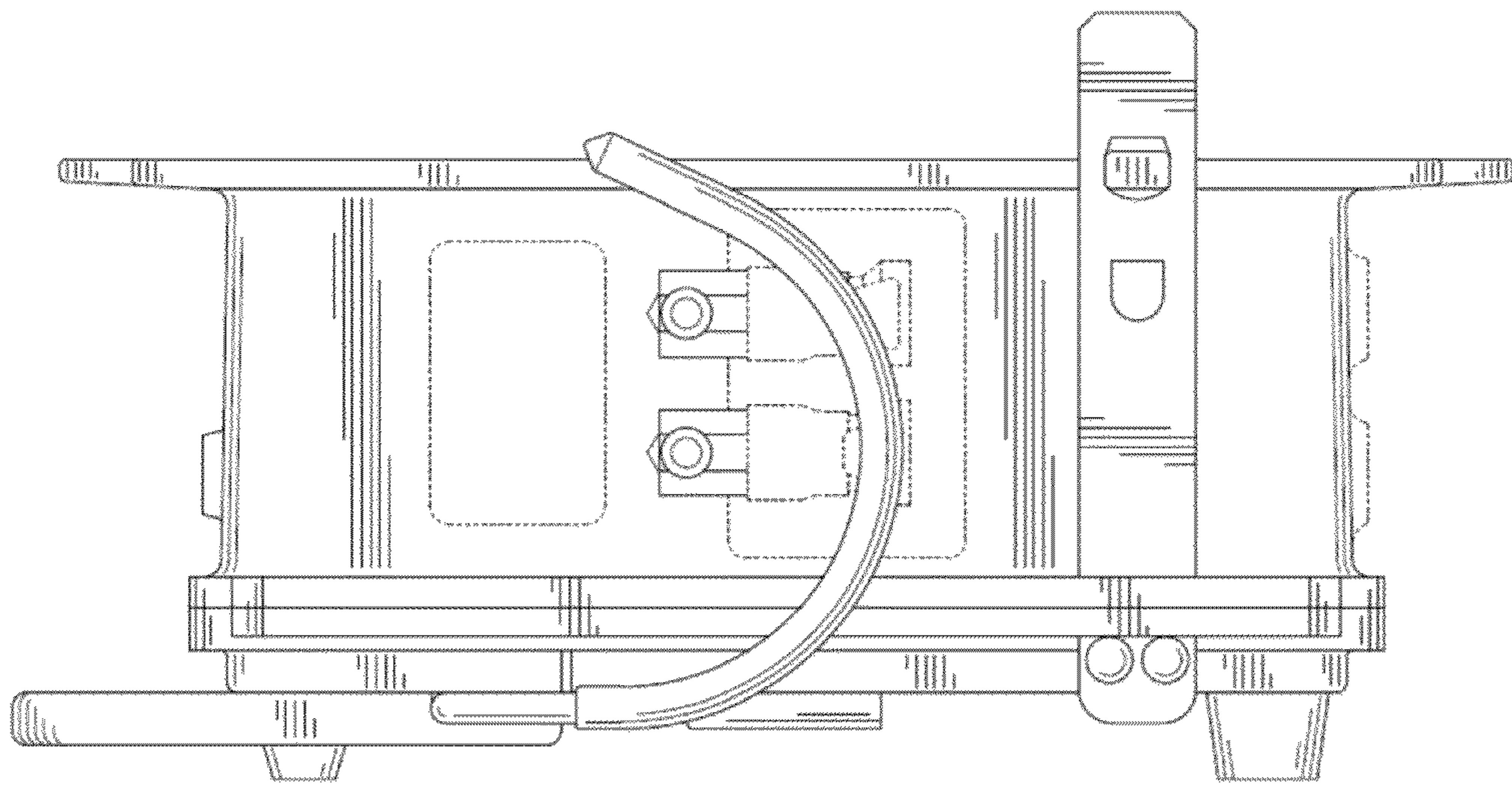


FIG. 3

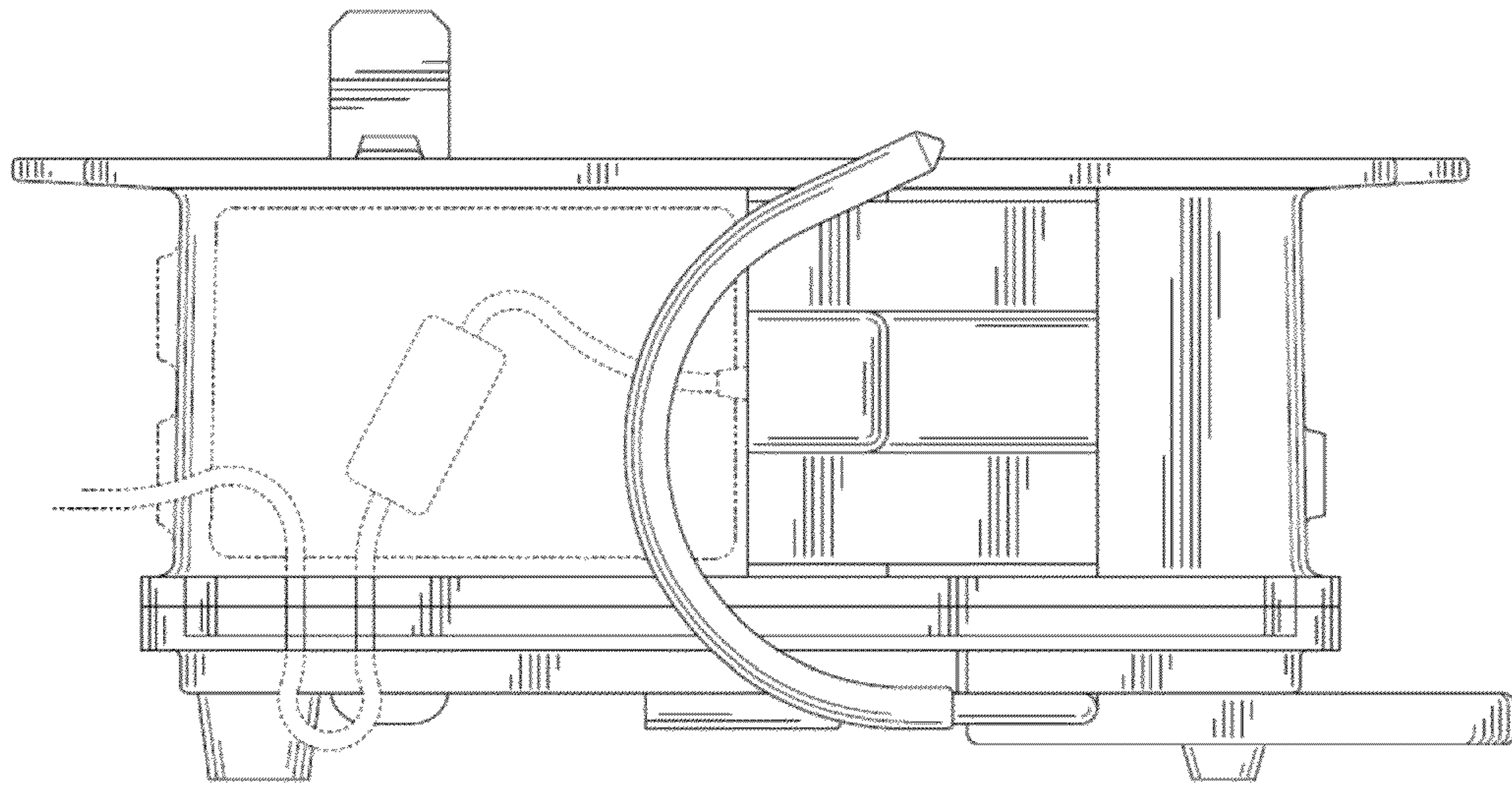


FIG. 4

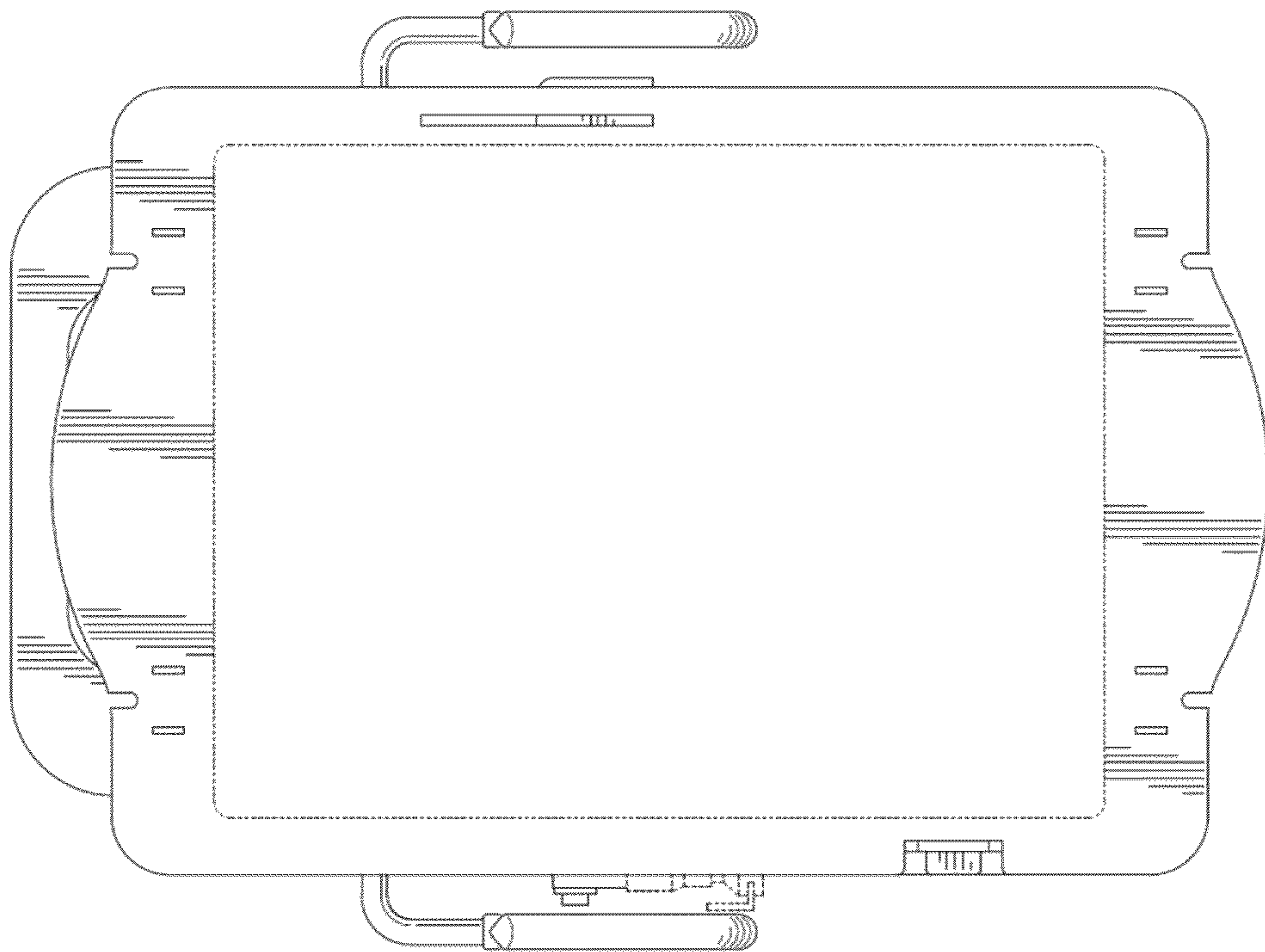


FIG. 5

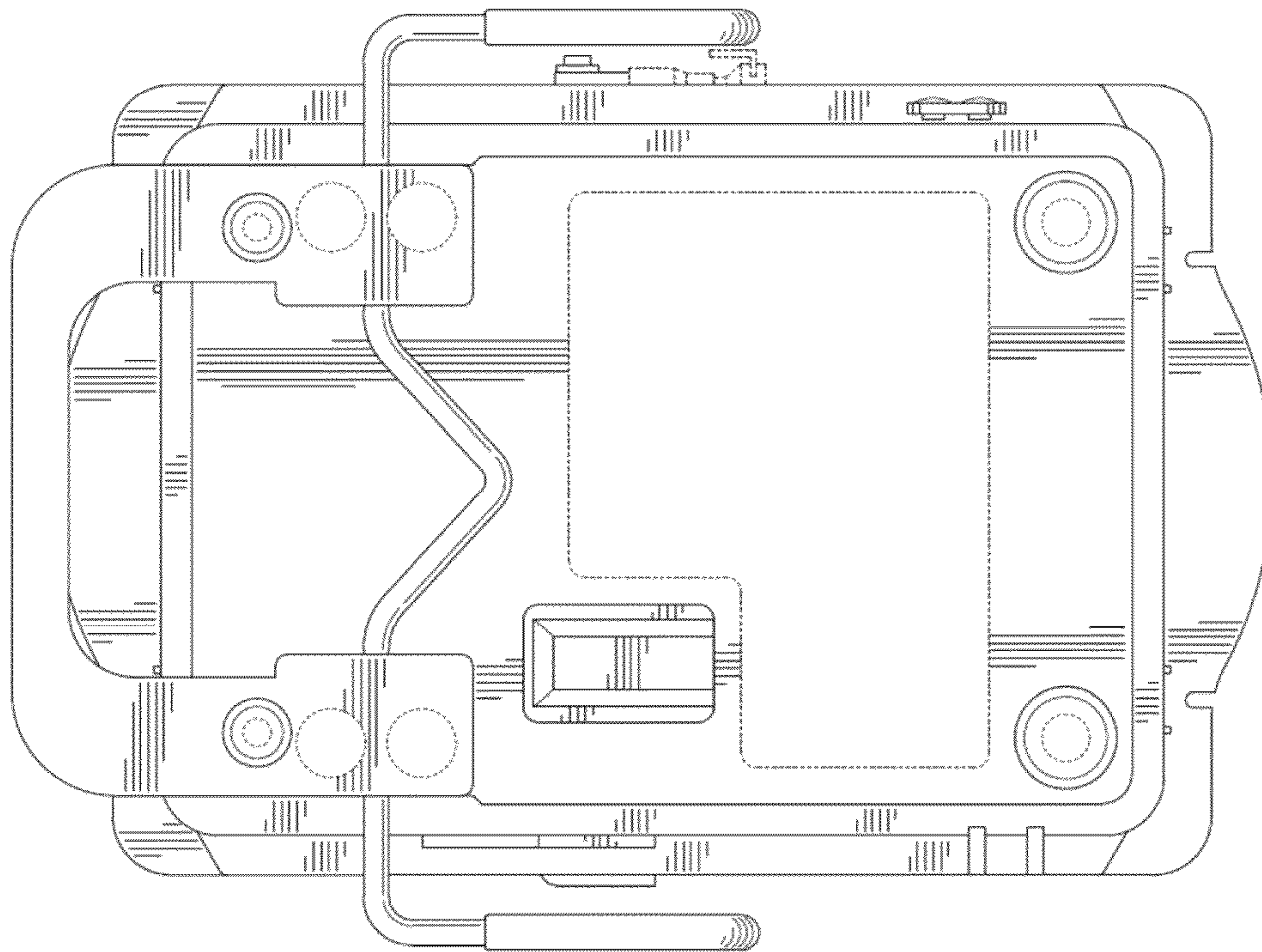


FIG. 6

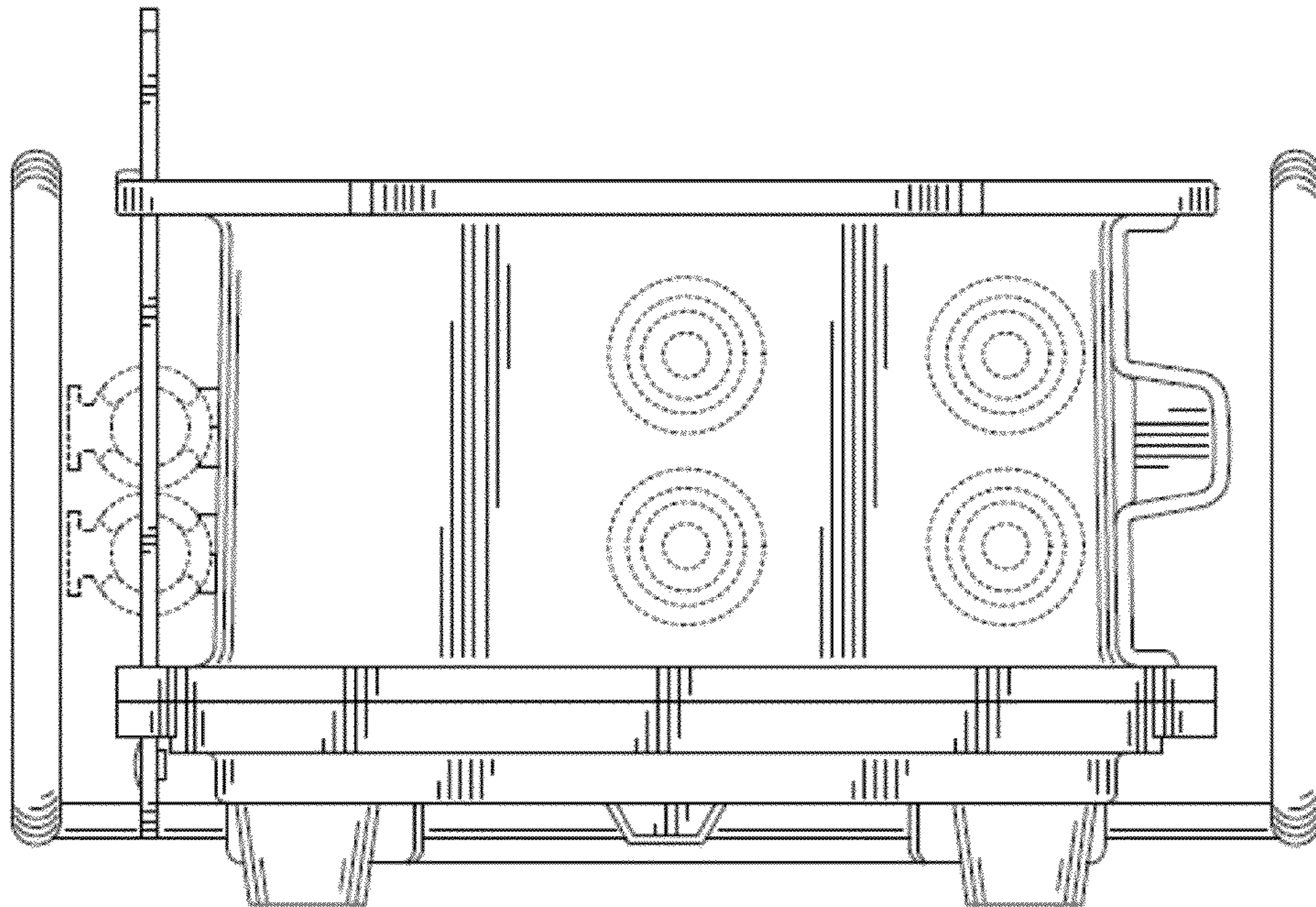


FIG. 7

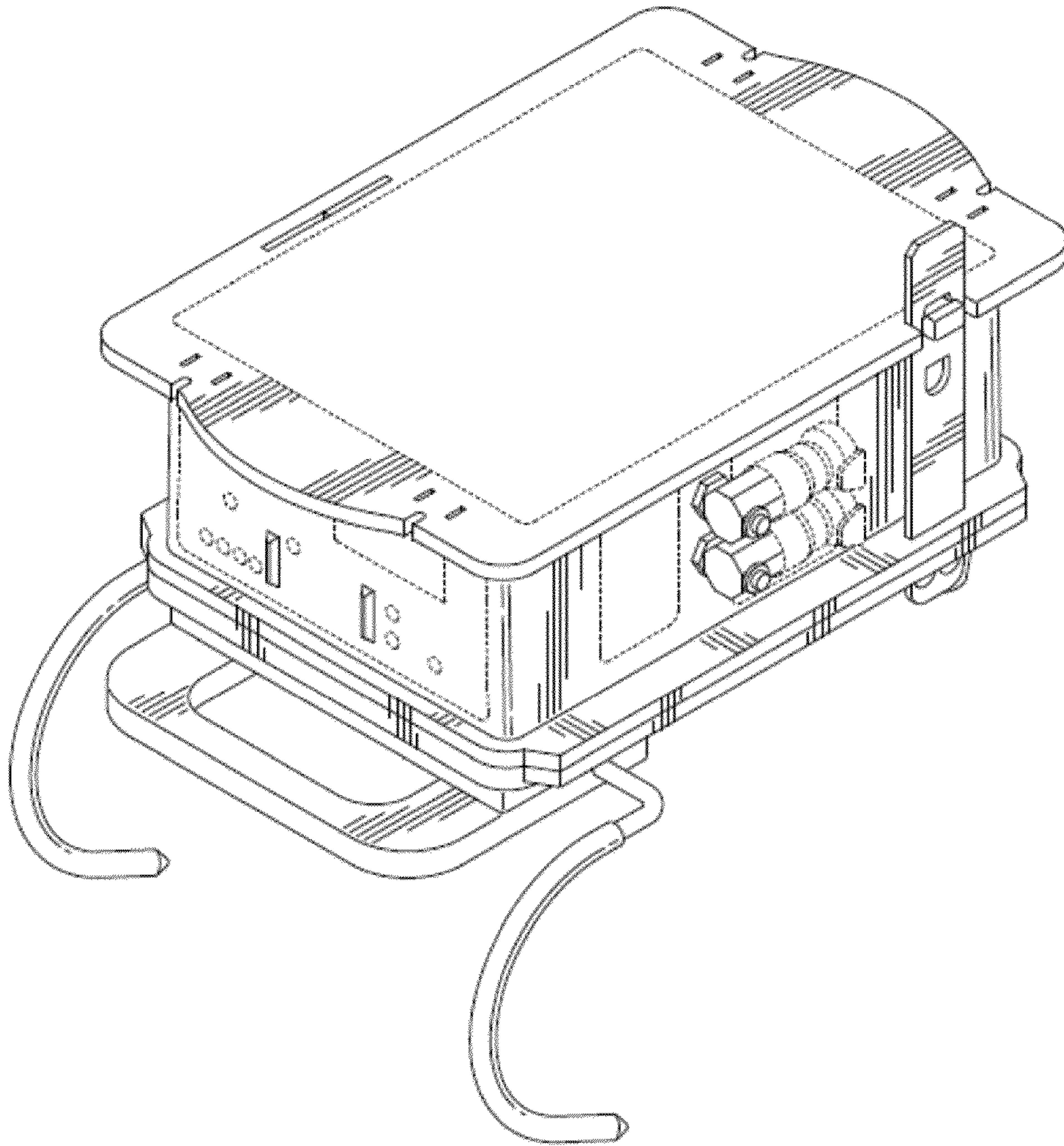


FIG. 8