

US00D724623S

(12) **United States Design Patent**
Nam

(10) **Patent No.:** **US D724,623 S**
(45) **Date of Patent:** **** Mar. 17, 2015**

(54) **REAR HEAD FOR AUTOMOBILES**

(71) Applicant: **GCS. Inc., Ltd.**, Kimhae (KR)

(72) Inventor: **Taek Kyun Nam**, Pusan (KR)

(73) Assignee: **GCS Inc., Ltd**, Kimhae (KR)

(**) Term: **14 Years**

(21) Appl. No.: **29/472,142**

(22) Filed: **Nov. 8, 2013**

(30) **Foreign Application Priority Data**

May 8, 2013 (KR) 30-2013-0024270

(51) **LOC (10) Cl.** **15-01**

(52) **U.S. Cl.**
USPC **D15/5**

(58) **Field of Classification Search**
USPC D15/1, 2, 3, 5, 6, 7, 8, 9; 417/410.1,
417/359, 415-416, 234, 321, 265, 405
See application file for complete search history.

(56) **References Cited**

U.S. PATENT DOCUMENTS

6,705,843 B1 * 3/2004 Kuo 417/312
D506,477 S * 6/2005 Chu et al. D15/9

D507,280 S * 7/2005 Chu et al. D15/9
7,494,328 B2 * 2/2009 Bhatia et al. 417/312
7,950,904 B2 * 5/2011 Park 417/269
D652,845 S * 1/2012 Nam D15/9
D653,677 S * 2/2012 Nam D15/9
D671,561 S * 11/2012 Nam et al. D15/9
D673,180 S * 12/2012 Nam et al. D15/9
D695,789 S * 12/2013 Nam D15/9

* cited by examiner

Primary Examiner — T. Chase Nelson

Assistant Examiner — Ania Aman

(74) *Attorney, Agent, or Firm* — Ladas & Parry LLP

(57) **CLAIM**

I claim the ornamental design for a rear head for automobiles, as shown and described.

DESCRIPTION

FIG. 1 is a front perspective view of a rear head for automobiles showing our new design;
FIG. 2 is a front-side elevational view thereof;
FIG. 3 is a rear-side elevational view thereof;
FIG. 4 is a left-side elevational view thereof;
FIG. 5 is a right-side elevational view thereof;
FIG. 6 is a top-side elevational view thereof;
FIG. 7 is a bottom perspective view thereof; and,
FIG. 8 is a rear perspective view thereof.
The details shown in broken lines form no part of the claimed design.

1 Claim, 7 Drawing Sheets

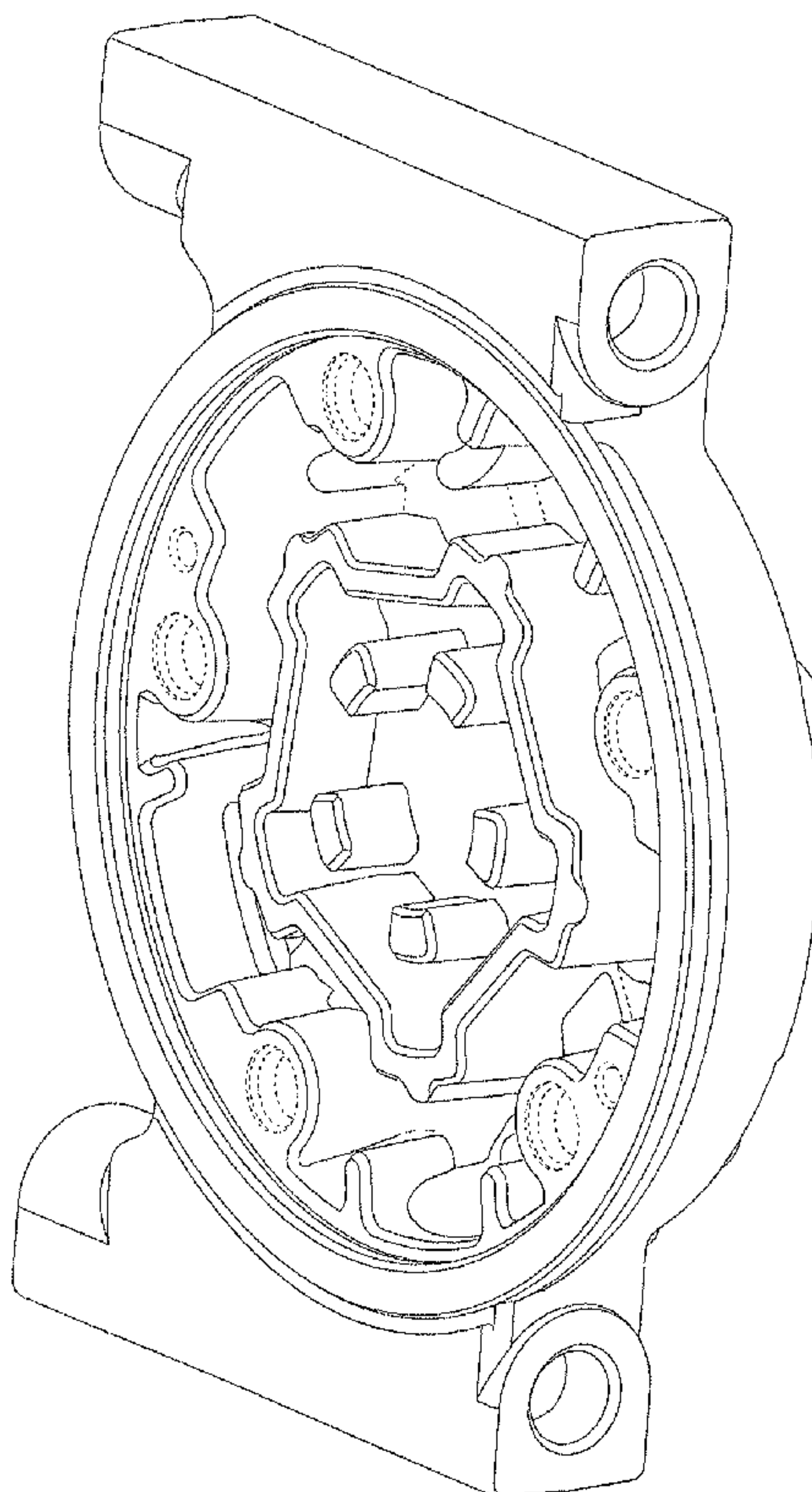


Fig. 1

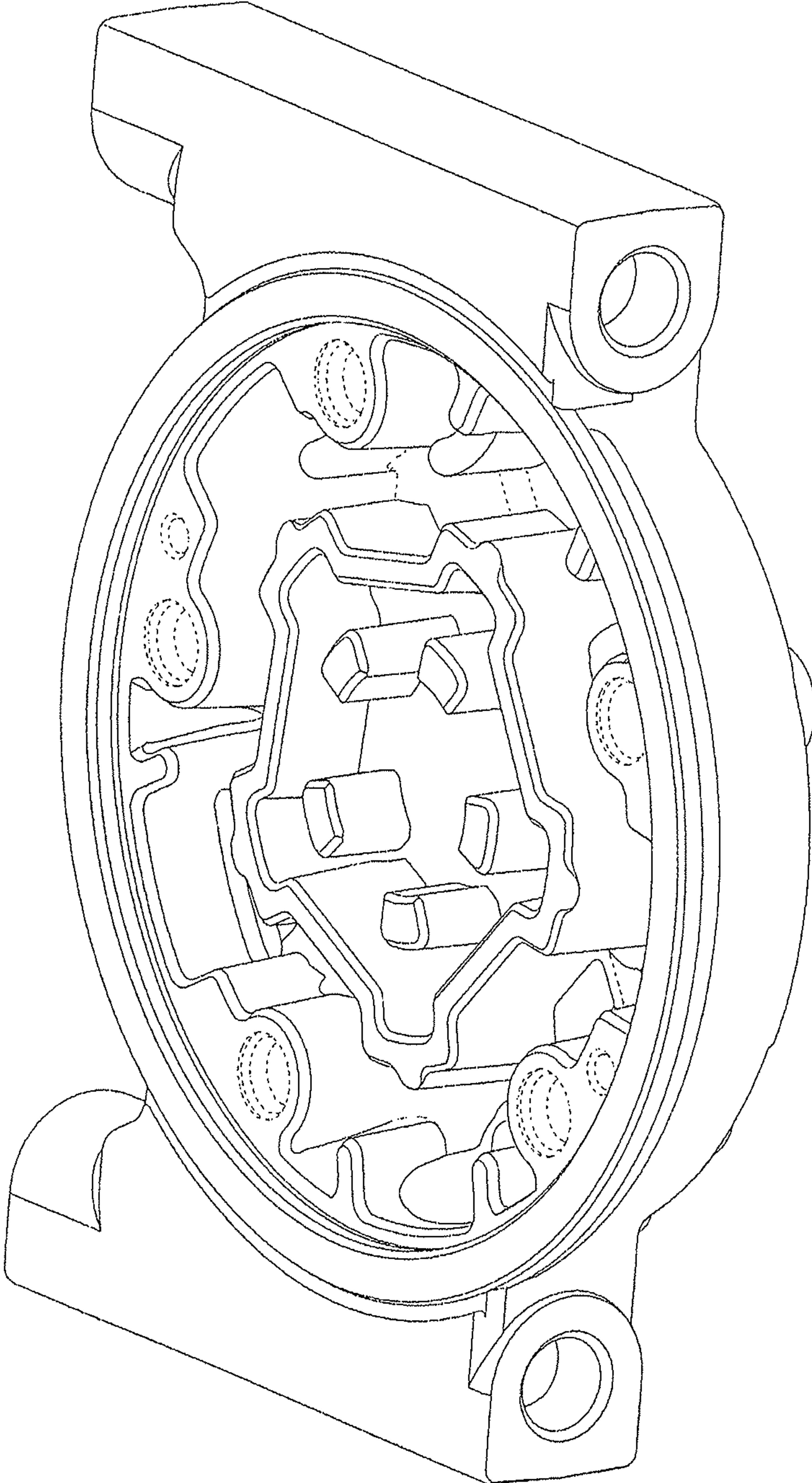


Fig. 2

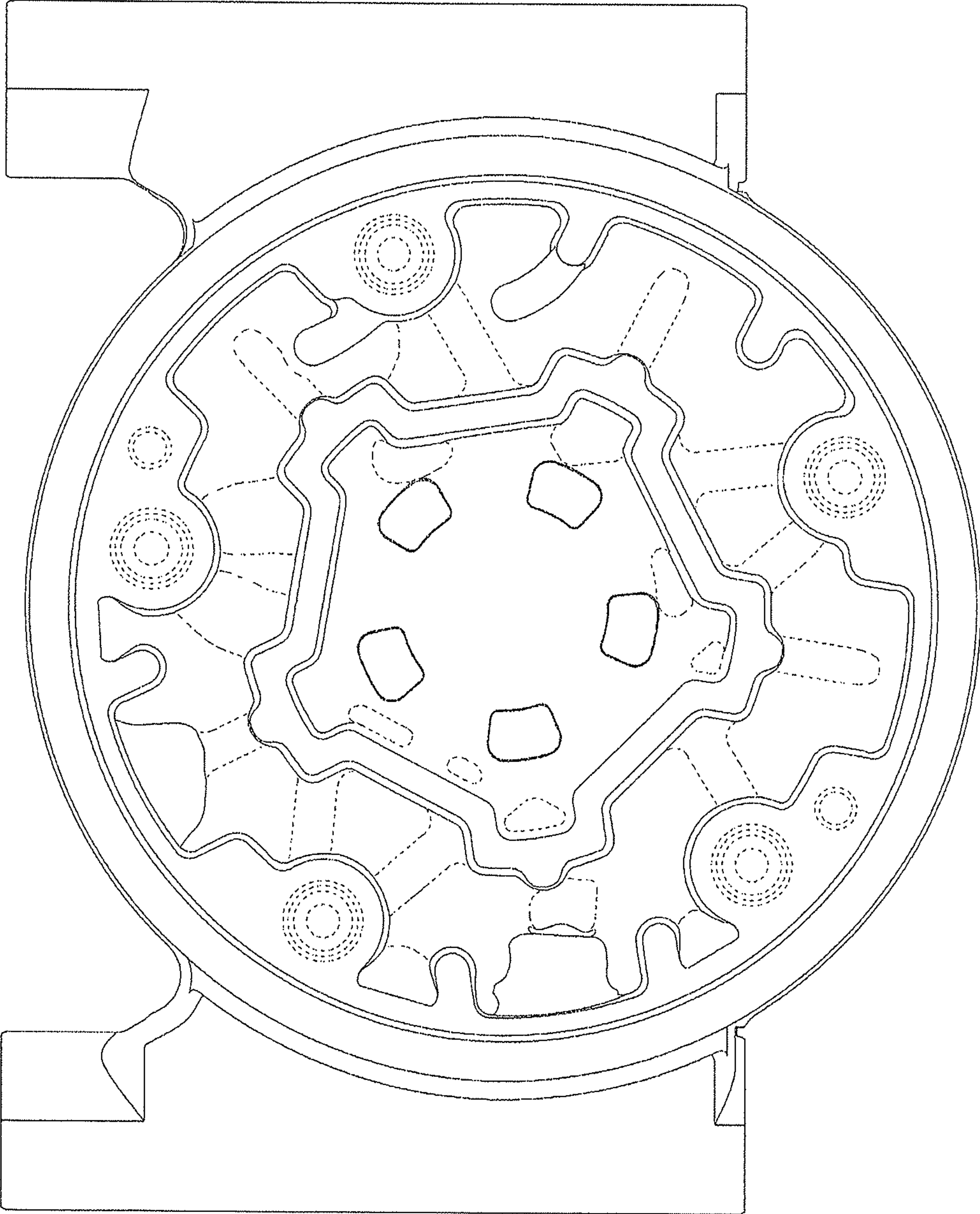


Fig. 3

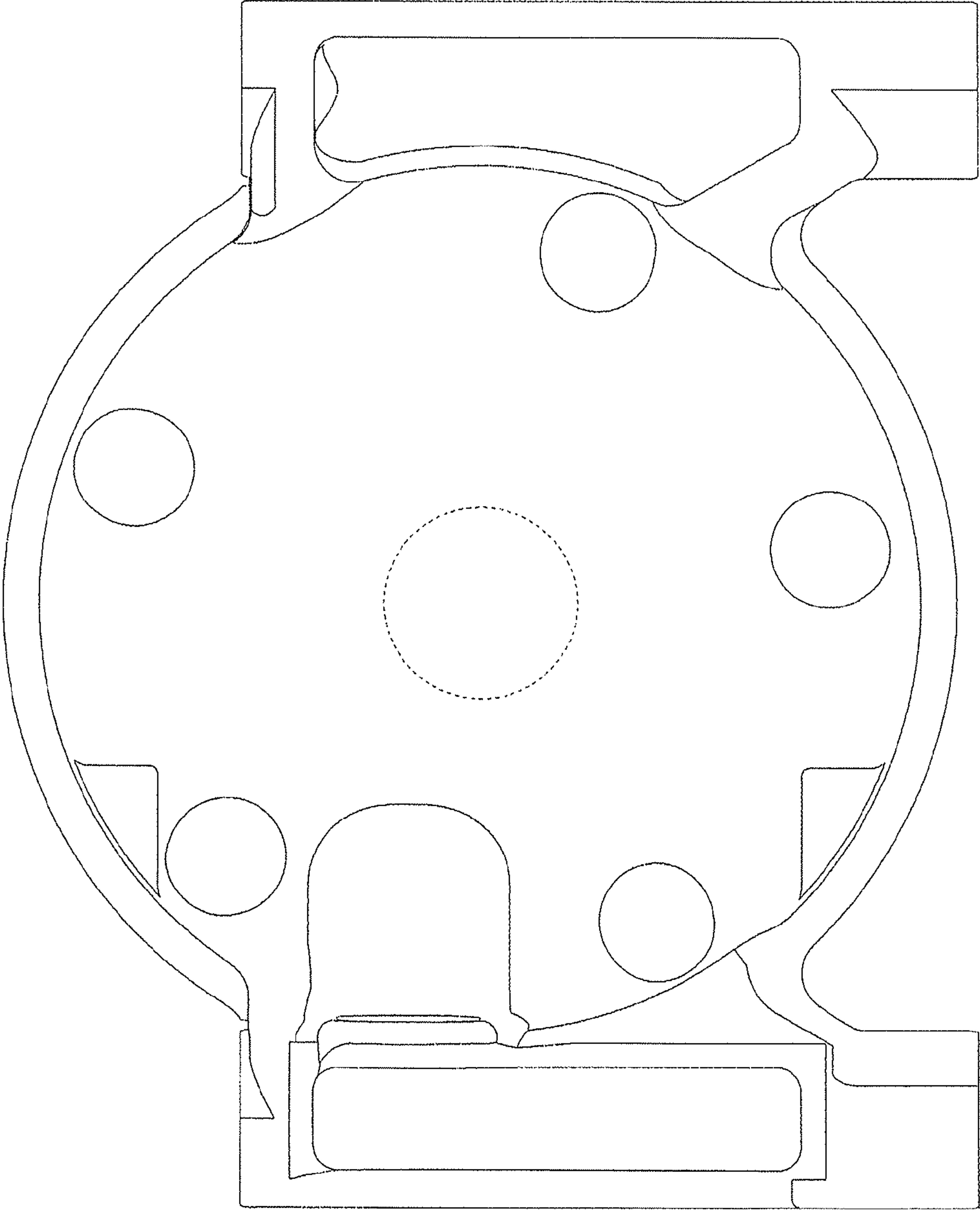


Fig. 4

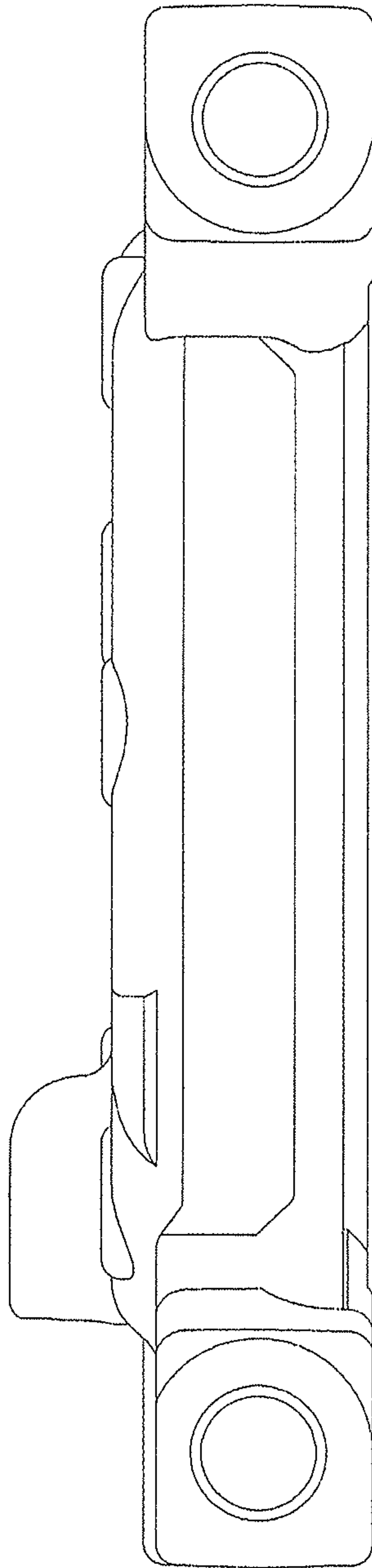


Fig. 5

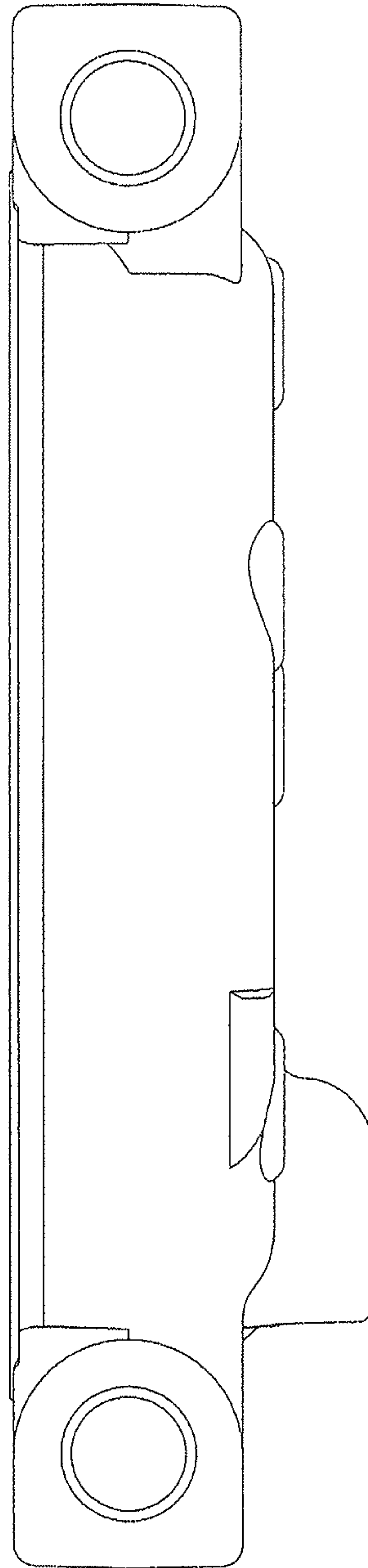


Fig. 6

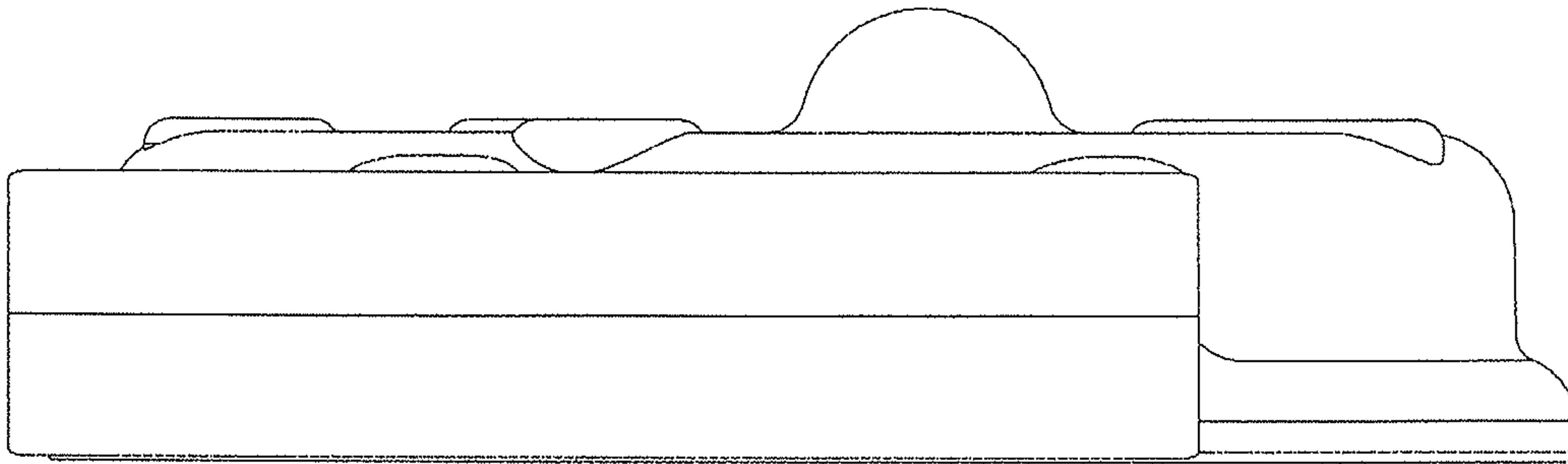


Fig. 7

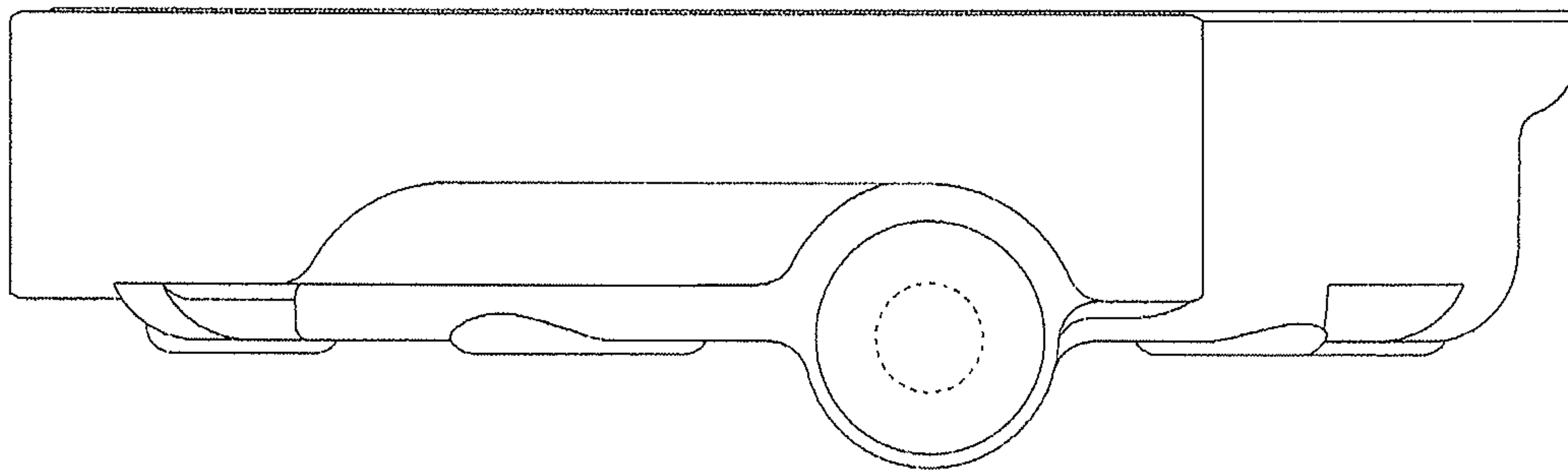


Fig. 8

