



US00D724622S

(12) **United States Design Patent**
Abe

(10) **Patent No.:** **US D724,622 S**
(45) **Date of Patent:** **** Mar. 17, 2015**

(54) **ROTATING MACHINE FOR VEHICLE**

(71) Applicant: **Meidensha Corporation**, Tokyo (JP)

(72) Inventor: **Takashi Abe**, Yokohama (JP)

(73) Assignee: **Meidensha Corporation**, Tokyo (JP)

(**) Term: **14 Years**

(21) Appl. No.: **29/442,728**

(22) Filed: **Apr. 29, 2013**

(30) **Foreign Application Priority Data**

Oct. 30, 2012 (JP) D2012-026301

(51) **LOC (10) Cl.** **15-01**

(52) **U.S. Cl.**
USPC **D15/5**

(58) **Field of Classification Search**
USPC D15/1, 3, 5; D13/112, 101, 113, 114,
D13/199; 91/197; 310/47, 89, 113, 166, 91
See application file for complete search history.

(56) **References Cited**

U.S. PATENT DOCUMENTS

6,215,214 B1 * 4/2001 Fisher et al. 310/89
D467,541 S * 12/2002 Hemphill D13/114
6,734,587 B2 * 5/2004 Hirsou et al. 310/68 D
7,166,945 B2 * 1/2007 Gautier 310/90
D548,696 S * 8/2007 Pourkermani et al. D13/114

D574,325 S * 8/2008 Naghshineh D13/114
2004/0000817 A1 * 1/2004 Hirsou et al. 310/10
2004/0164630 A1 * 8/2004 Gautier 310/89
2006/0186747 A1 * 8/2006 Regnard et al. 310/71
2006/0226720 A1 * 10/2006 Kratz et al. 310/73
2008/0136272 A1 * 6/2008 Ishikawa et al. 310/58
2008/0211331 A1 * 9/2008 Dubuc et al. 310/71
2010/0133961 A1 * 6/2010 Shirakata et al. 310/68 B

* cited by examiner

Primary Examiner — T. Chase Nelson

Assistant Examiner — Ania Aman

(74) *Attorney, Agent, or Firm* — Foley & Lardner LLP

(57) **CLAIM**

We claim the ornamental design for a rotating machine for vehicle, as shown and described.

DESCRIPTION

FIG. 1 is a front view of an embodiment of the claimed design;
FIG. 2 is a rear perspective view of the claimed design of FIG. 1;
FIG. 3 is a plan view of the claimed design of FIG. 1;
FIG. 4 is a bottom plan view of the claimed design of FIG. 1;
FIG. 5 is a right side view of the claimed design of FIG. 1; and,
FIG. 6 is a left side view of the claimed design of FIG. 1.

The ornamental design which is claimed is shown in the drawings. The broken lines in the drawings are for illustrative purposes only and form no part of the claimed design.

1 Claim, 6 Drawing Sheets

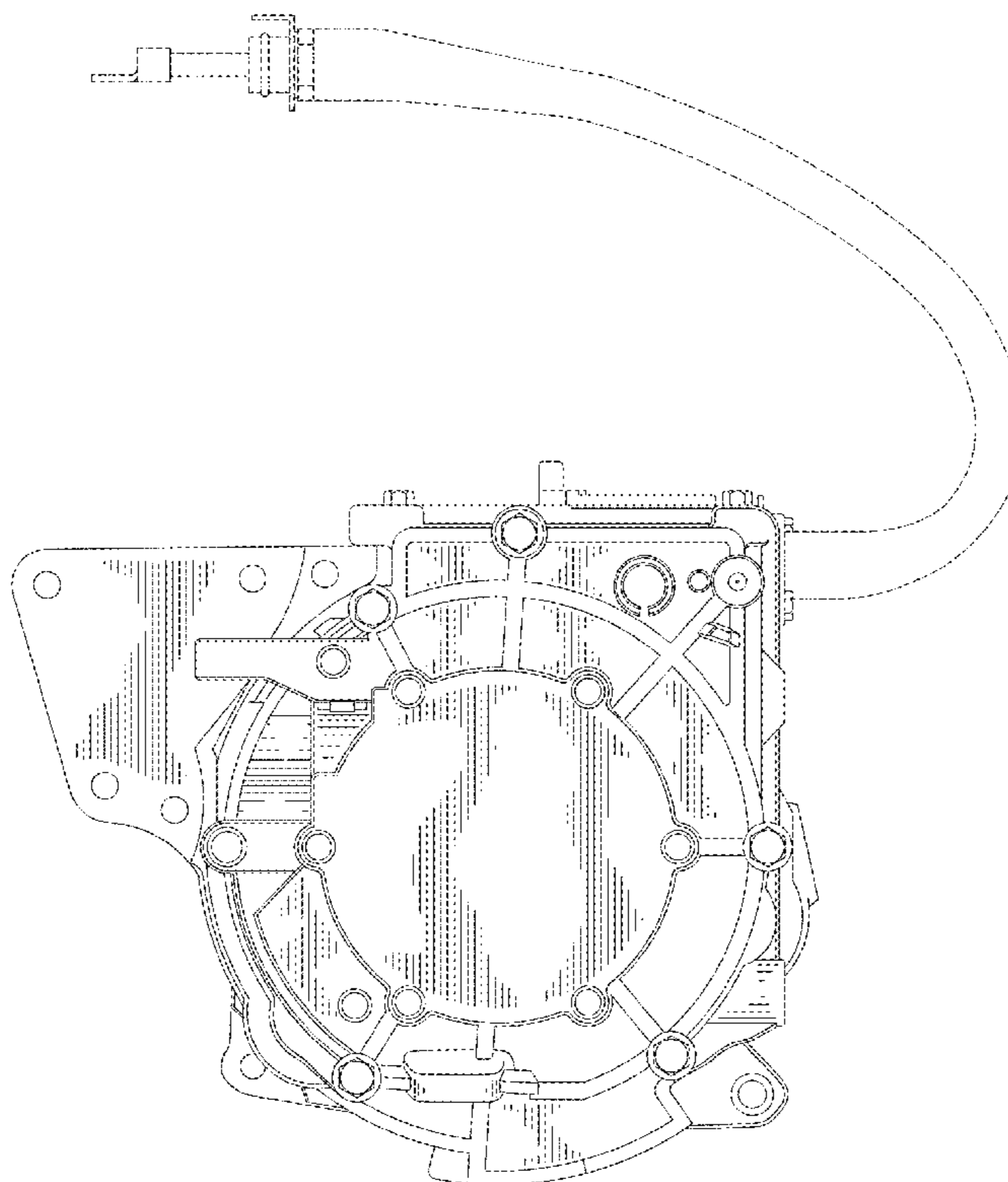


Fig. 1

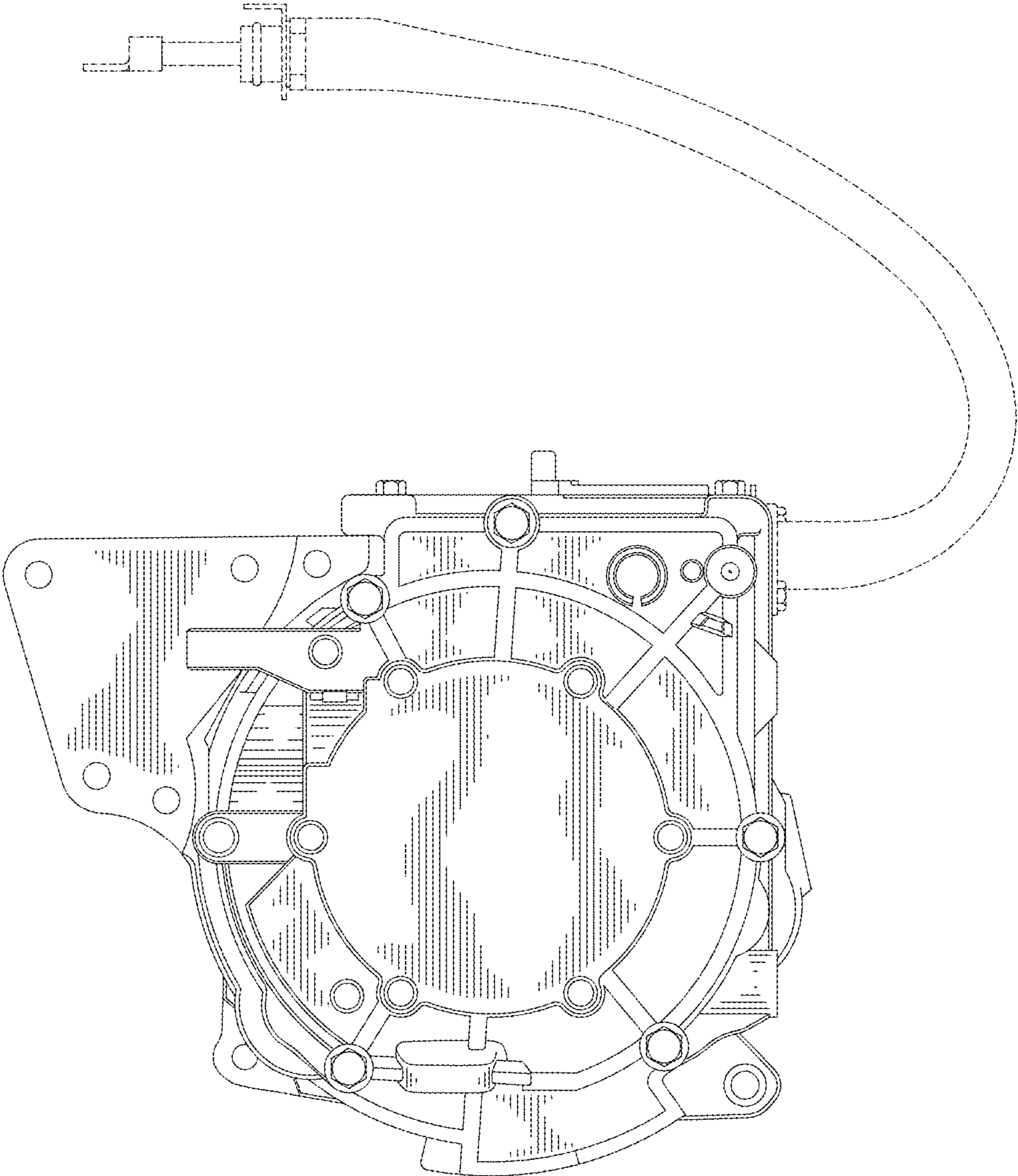


Fig. 2

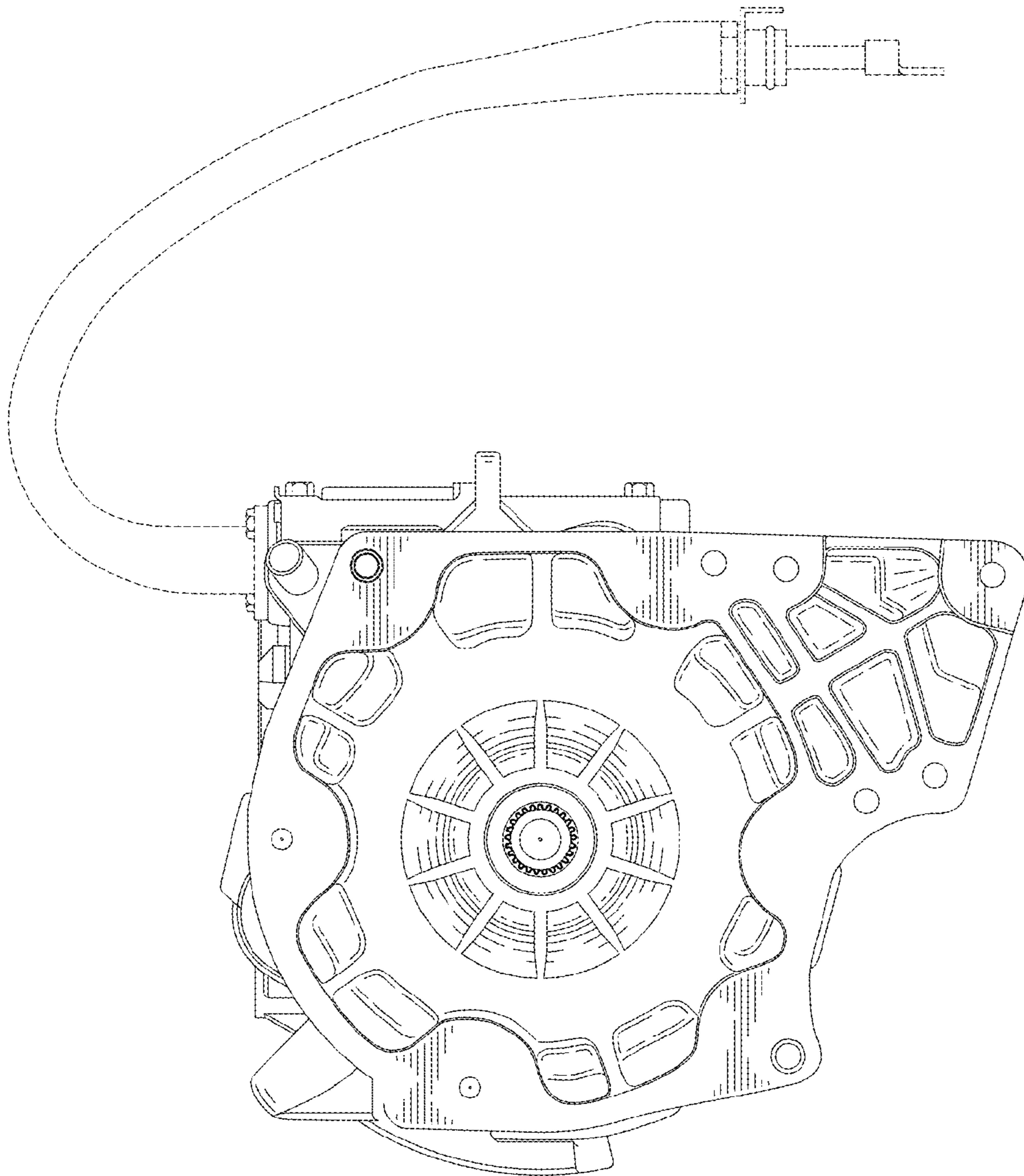


Fig. 3

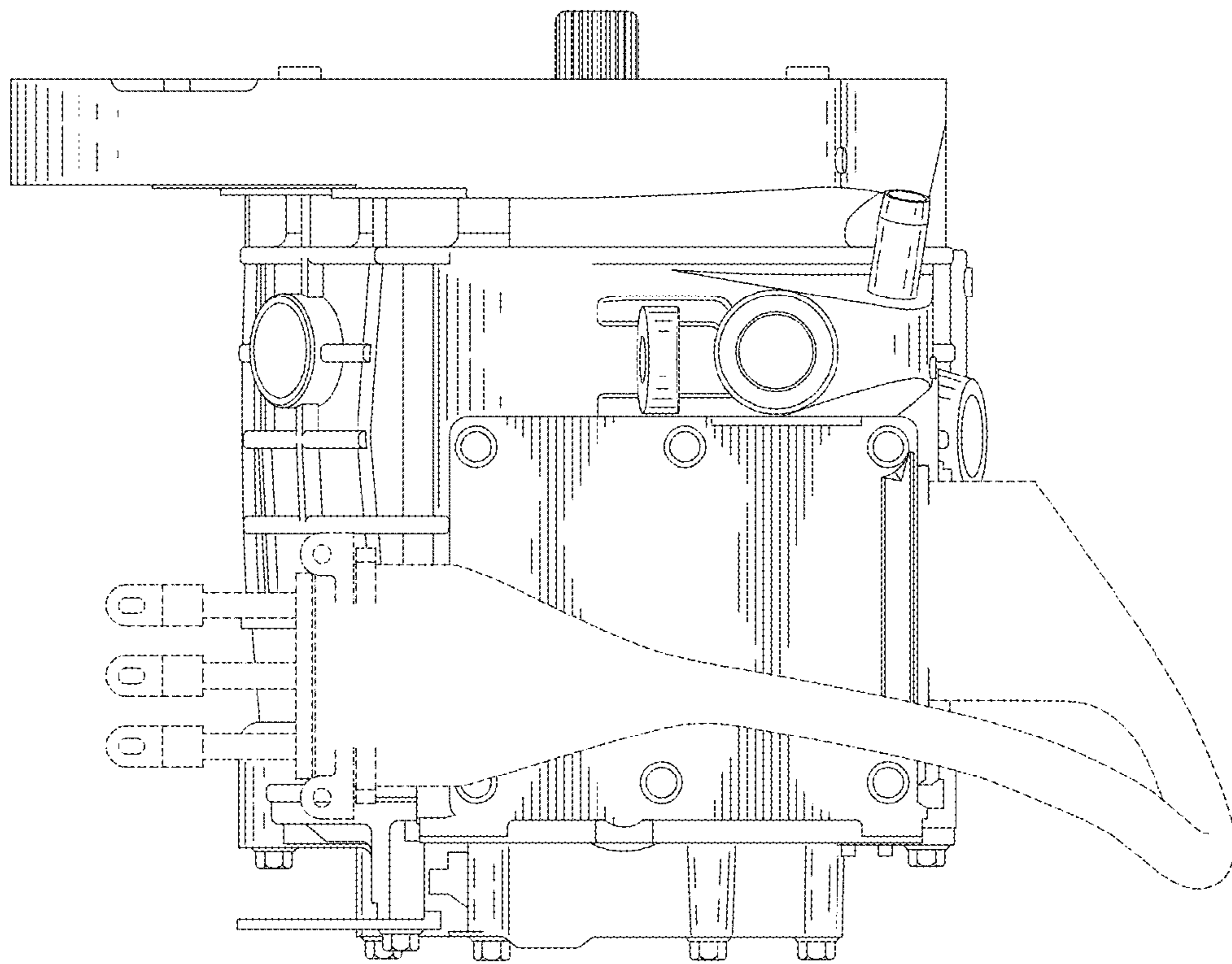


Fig. 4

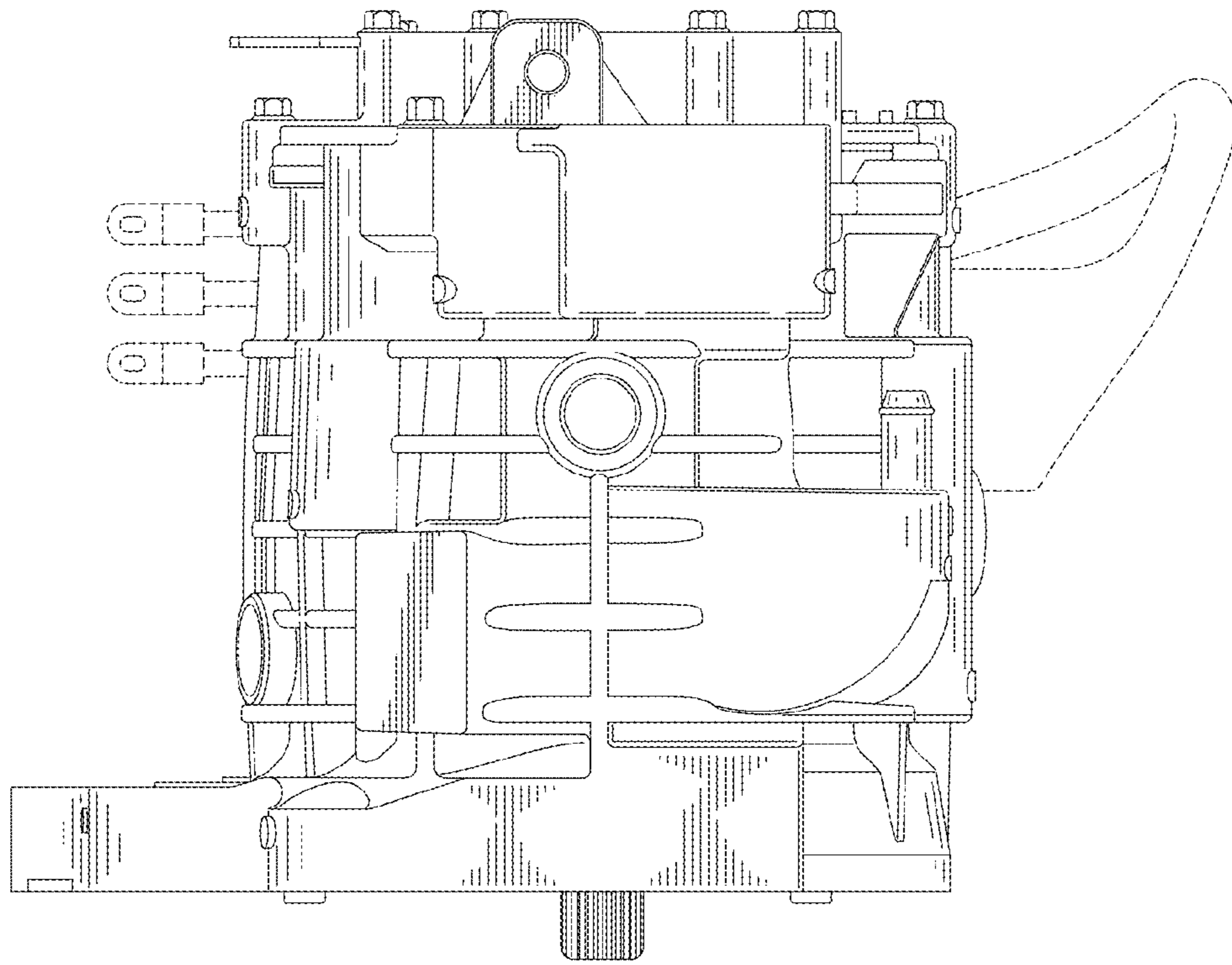


Fig. 5

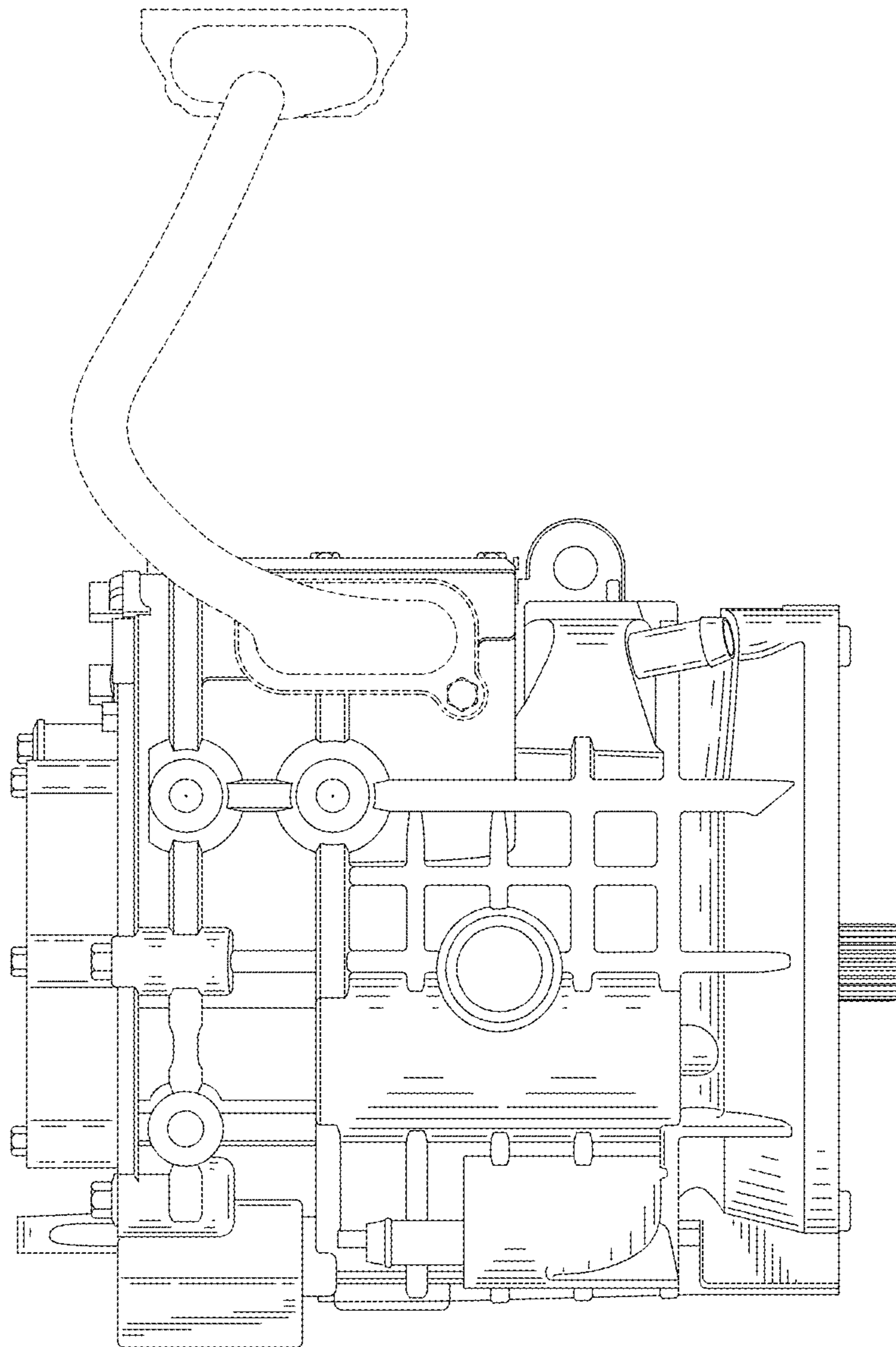


Fig. 6

