



US00D724618S

(12) **United States Design Patent**
Shin

(10) **Patent No.:** **US D724,618 S**
(45) **Date of Patent:** **** Mar. 17, 2015**

(54) **PORTABLE ELECTRONIC DEVICE WITH A GRAPHICAL USER INTERFACE**

(75) Inventor: **Hang Sik Shin**, Kyunggi-do (KR)

(73) Assignee: **Samsung Electronics Co., Ltd.**, Suwon-Si (KR)

(**) Term: **14 Years**

(21) Appl. No.: **29/425,961**

(22) Filed: **Jun. 28, 2012**

(51) **LOC (10) Cl.** **14-04**

(52) **U.S. Cl.**
USPC **D14/487**

(58) **Field of Classification Search**
USPC D14/485–495; D18/26, 31, 32, 33;
D20/11, 12, 23, 24, 25, 29, 30, 31, 32,
D20/36, 37, 38; 715/700–867, 961–978
See application file for complete search history.

(56) **References Cited**

U.S. PATENT DOCUMENTS

D467,937	S *	12/2002	Grundel et al.	D14/488
D493,471	S *	7/2004	McIntosh	D14/485
D500,766	S *	1/2005	Hanisch et al.	D14/489
6,918,091	B2 *	7/2005	Leavitt et al.	715/765
D602,033	S *	10/2009	Vu et al.	D14/485
D619,614	S *	7/2010	O'Mullan et al.	D14/489
D623,658	S *	9/2010	Fitzmaurice et al.	D14/489
D624,933	S *	10/2010	Fitzmaurice et al.	D14/489
D625,327	S *	10/2010	Fitzmaurice et al.	D14/489
D651,611	S *	1/2012	Ouilhet et al.	D14/489
D667,842	S *	9/2012	Ouilhet	D14/489
8,612,856	B2 *	12/2013	Hotelling et al.	715/702
2004/0189724	A1 *	9/2004	Golibrodski et al.	345/964
2007/0234223	A1 *	10/2007	Leavitt et al.	715/762
2009/0083626	A1 *	3/2009	Fitzmaurice et al.	715/704
2010/0017736	A1 *	1/2010	Kim	715/771
2010/0122194	A1 *	5/2010	Rogers	715/769

2010/0174987	A1 *	7/2010	Shin et al.	715/702
2010/0313168	A1 *	12/2010	Wiest et al.	715/830
2011/0029907	A1 *	2/2011	Bakhash	715/769
2011/0035665	A1 *	2/2011	Kim et al.	715/702
2012/0066675	A1 *	3/2012	Shelansky et al.	717/178
2012/0072840	A1 *	3/2012	Koshi et al.	715/702
2012/0200574	A1 *	8/2012	Hill et al.	345/473
2013/0019174	A1 *	1/2013	Gil et al.	715/711
2013/0078990	A1 *	3/2013	Kim et al.	455/422.1
2013/0212529	A1 *	8/2013	Amarnath	715/810
2013/0227450	A1 *	8/2013	NA et al.	715/764
2013/0254714	A1 *	9/2013	Shin et al.	715/810
2013/0298024	A1 *	11/2013	Rhee et al.	715/716

* cited by examiner

Primary Examiner — Ian Simmons

Assistant Examiner — Shannon Morgan

(74) *Attorney, Agent, or Firm* — Ladas & Parry LLP

(57) **CLAIM**

I claim the ornamental design for a portable electronic device with a graphical user interface, as shown and described.

DESCRIPTION

FIG. 1 is a front view of a first embodiment of a portable electronic device with a graphical user interface showing my new design; and,

FIG. 2 is a front view of a second embodiment of a portable electronic device with a graphical user interface showing my new design.

The appearance of the transitional image transitions between the images shown. No ornamental aspect are associated with the process or period in which one image transitions into another image.

The broken lines showing of a hand illustrates environment, and the remainder of the broken lines represent portions of the portable electronic device with a graphical user interface; the broken lines form no part of the claimed design.

1 Claim, 2 Drawing Sheets

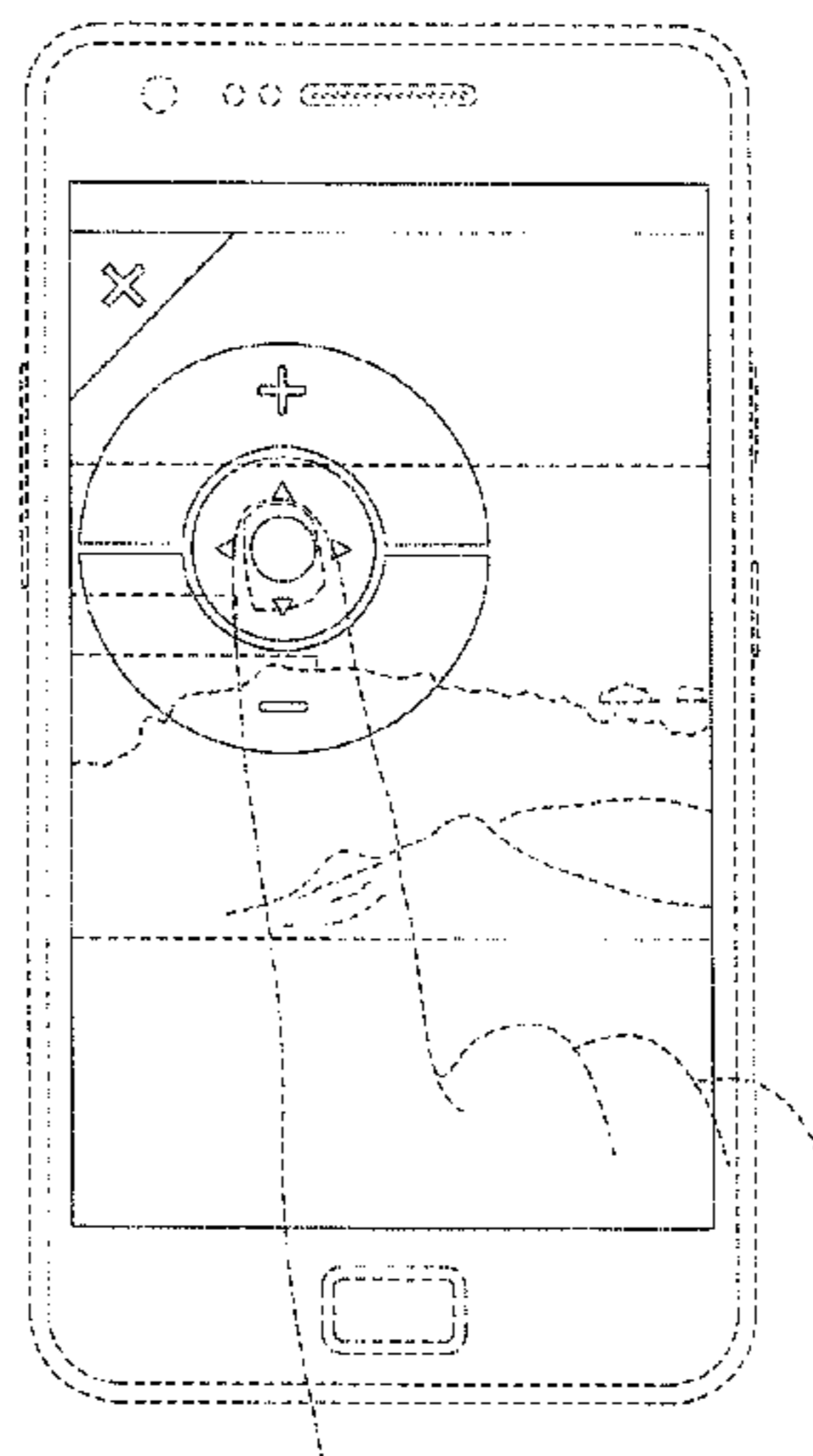
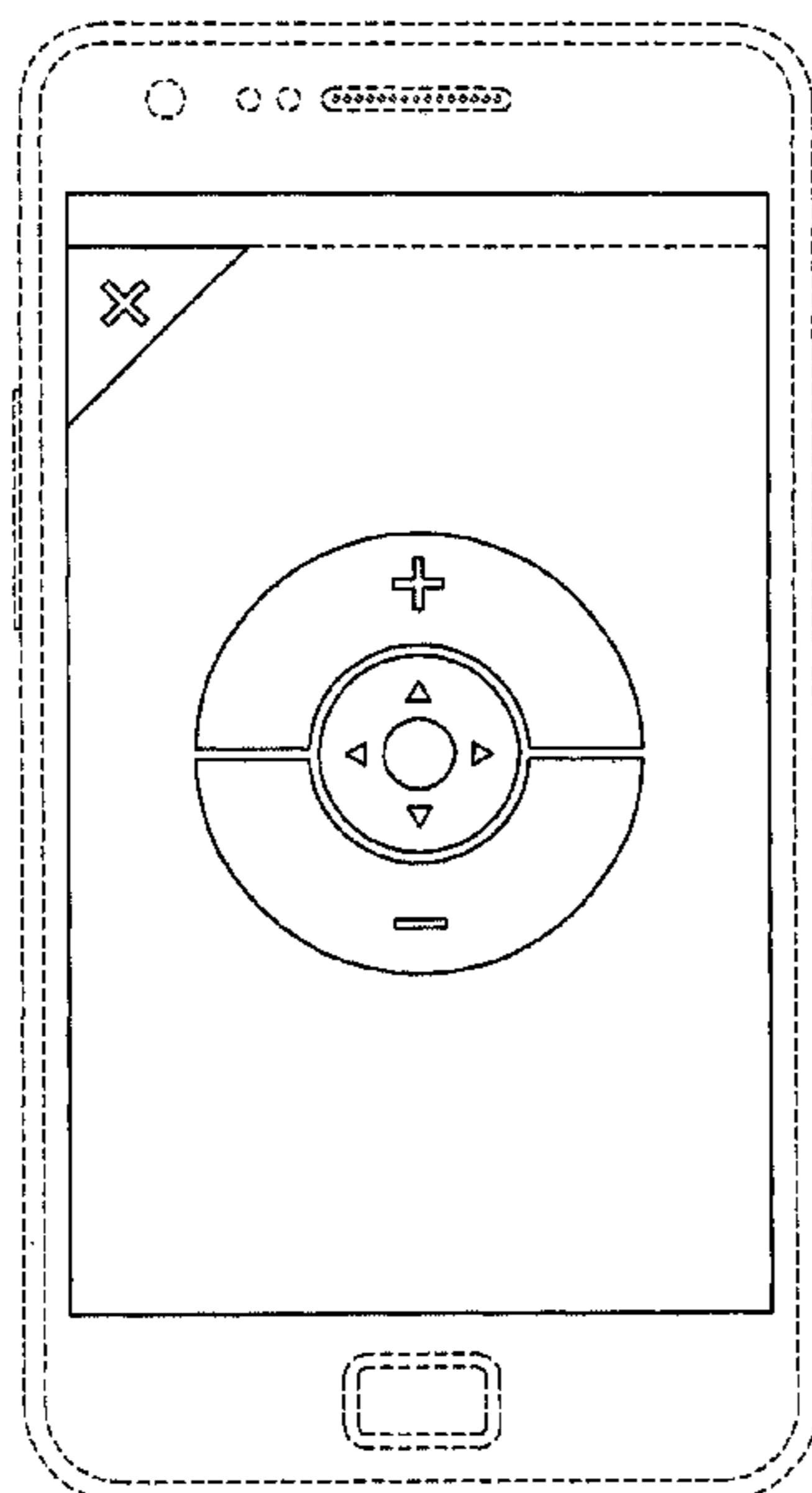
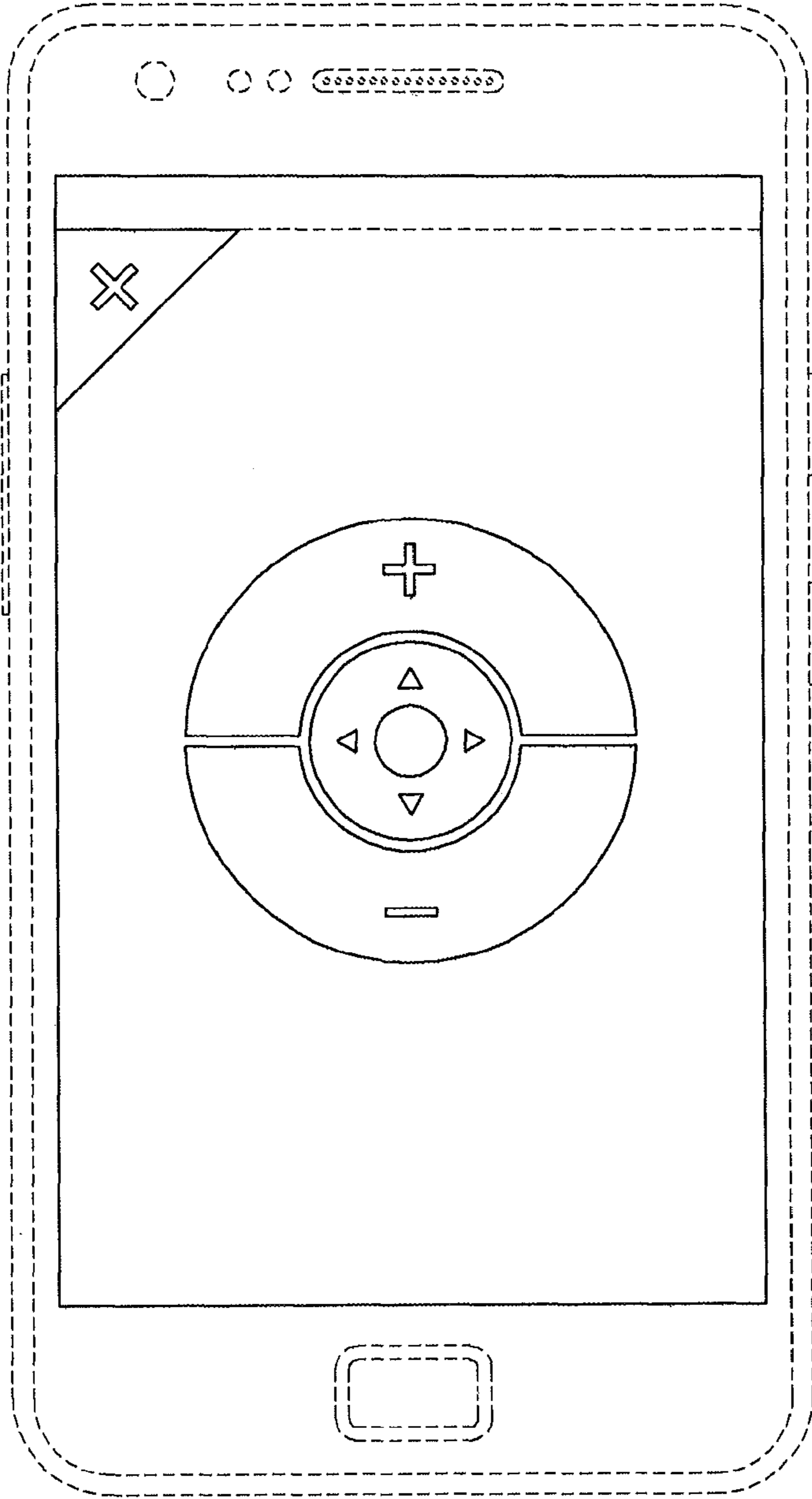


FIG. 1



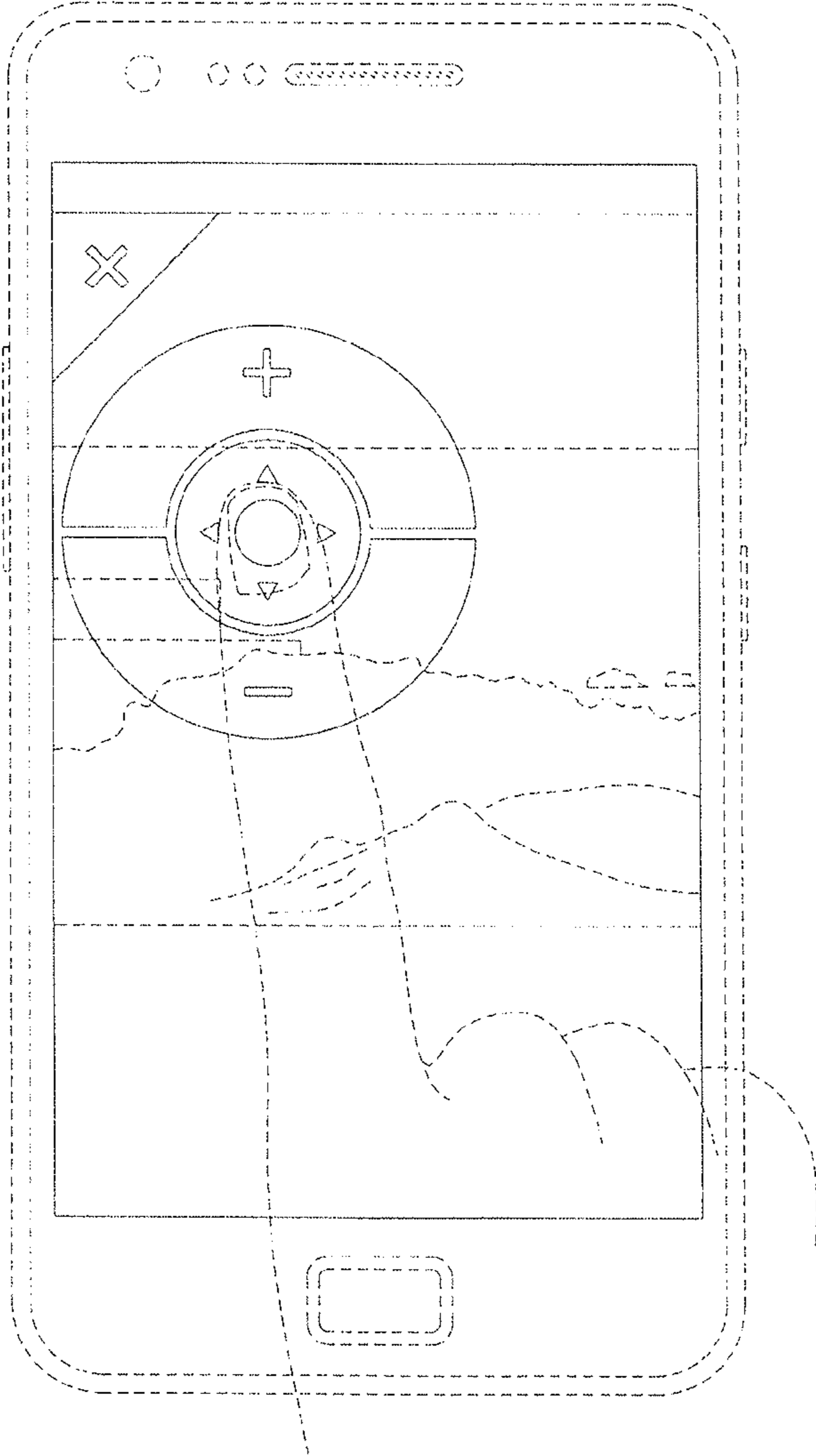


Fig. 2