



US00D724608S

(12) **United States Design Patent**  
**Fino**

(10) **Patent No.:** **US D724,608 S**  
(45) **Date of Patent:** **\*\* Mar. 17, 2015**

(54) **DISPLAY SCREEN OR PORTION THEREOF WITH GRAPHICAL USER INTERFACE**

FOREIGN PATENT DOCUMENTS

(75) Inventor: **Jorge Fino**, San Jose, CA (US)

KR 30-0486178 4/2008

(73) Assignee: **Apple Inc.**, Cupertino, CA (US)

OTHER PUBLICATIONS

(\*\*) Term: **14 Years**

Trademark Serial No. 85700010, Apple Inc., filed Aug. 9, 2012, priority date Feb. 15, 2012.

(21) Appl. No.: **29/424,203**

*Primary Examiner* — Philip S. Hyder

(22) Filed: **Jun. 8, 2012**

*Assistant Examiner* — Darlington Ly

(51) **LOC (10) Cl.** ..... **14-04**

(74) *Attorney, Agent, or Firm* — Sterne, Kessler, Goldstein & Fox, P.L.L.C.

(52) **U.S. Cl.**

USPC ..... **D14/486**

(58) **Field of Classification Search**

USPC ..... D14/485–495; D18/26, 31, 32, 33; D20/11, 12, 23, 24, 25, 29, 30, 31, 32, D20/36, 37, 38; 715/702, 764, 838

See application file for complete search history.

(57) **CLAIM**

The ornamental design for a display screen or portion thereof with graphical user interface, as shown and described.

(56) **References Cited**

**DESCRIPTION**

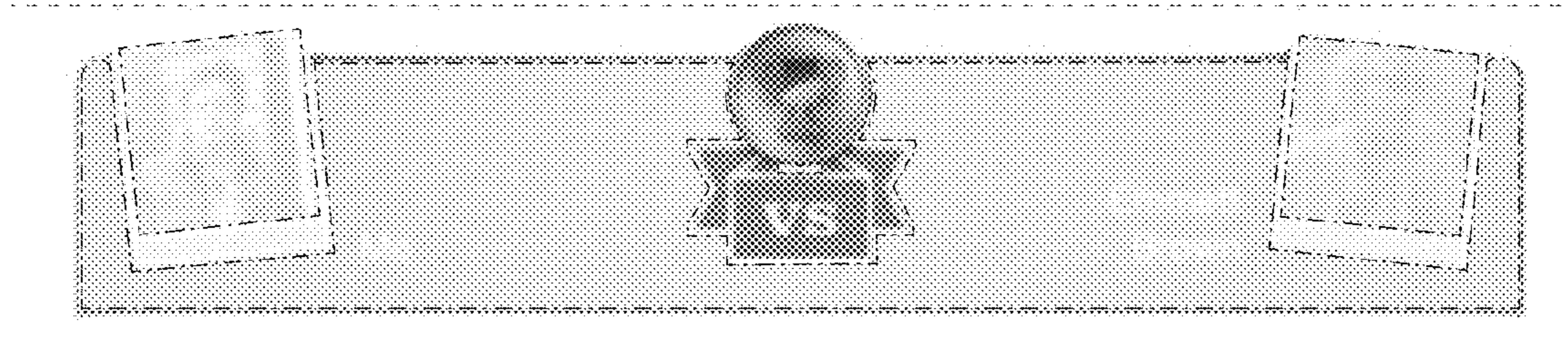
U.S. PATENT DOCUMENTS

|              |         |                       |         |
|--------------|---------|-----------------------|---------|
| D457,890 S   | 5/2002  | Chaudhri et al.       |         |
| D545,325 S * | 6/2007  | Pieratt et al. ....   | D14/492 |
| D554,146 S   | 10/2007 | Gusmorino et al.      |         |
| D561,196 S * | 2/2008  | Okaro et al. ....     | D14/492 |
| D574,398 S * | 8/2008  | Armstrong et al. .... | D14/492 |
| D577,369 S * | 9/2008  | Armstrong et al. .... | D14/492 |
| D594,021 S   | 6/2009  | Ball et al.           |         |
| D596,190 S   | 7/2009  | Garcia                |         |
| D598,466 S   | 8/2009  | Hirsch et al.         |         |
| D607,895 S * | 1/2010  | Marashi .....         | D14/486 |
| D612,389 S   | 3/2010  | Garcia                |         |
| D627,365 S   | 11/2010 | Brinda                |         |
| D633,920 S   | 3/2011  | Luke et al.           |         |
| 8,024,658 B1 | 9/2011  | Fagans et al.         |         |
| D671,126 S   | 11/2012 | Inose et al.          |         |
| D671,956 S   | 12/2012 | Dellinger et al.      |         |
| D676,858 S   | 2/2013  | Inose et al.          |         |
| D689,508 S   | 9/2013  | Baumann               |         |
| D692,917 S * | 11/2013 | Edwards et al. ....   | D14/489 |

(Continued)

The patent or application file contains at least one drawing executed in color. Copies of this patent or patent application publication with color drawing(s) will be provided by the Office upon request and payment of the necessary fee. FIG. 1 is a front view of a display screen or portion thereof with a graphical user interface showing my new design; FIG. 2 is a front view of a display screen or portion thereof with a graphical user interface showing my new design; FIG. 3 is a front view of a display screen or portion thereof with a graphical user interface showing my new design; and, FIG. 4 is a front view of a display screen or portion thereof with a graphical user interface showing my new design. The dashed broken lines around the figures show a display screen or portion thereof that form no part of the claimed design. The dot-dash broken lines and the areas within the dot-dash broken lines form no part of the claimed design.

**1 Claim, 2 Drawing Sheets**  
**(1 of 2 Drawing Sheet(s) Filed in Color)**



(56)

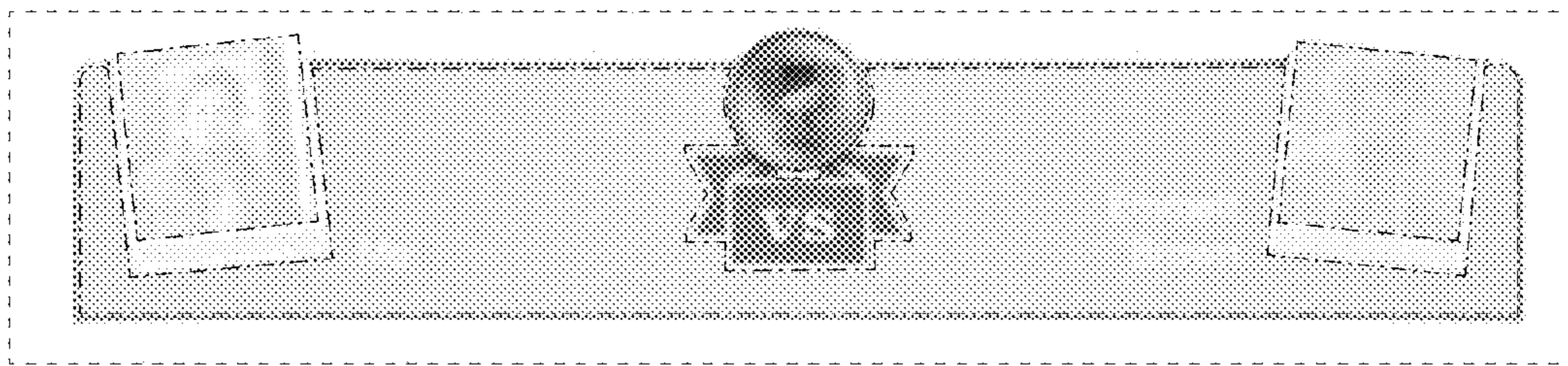
**References Cited**

U.S. PATENT DOCUMENTS

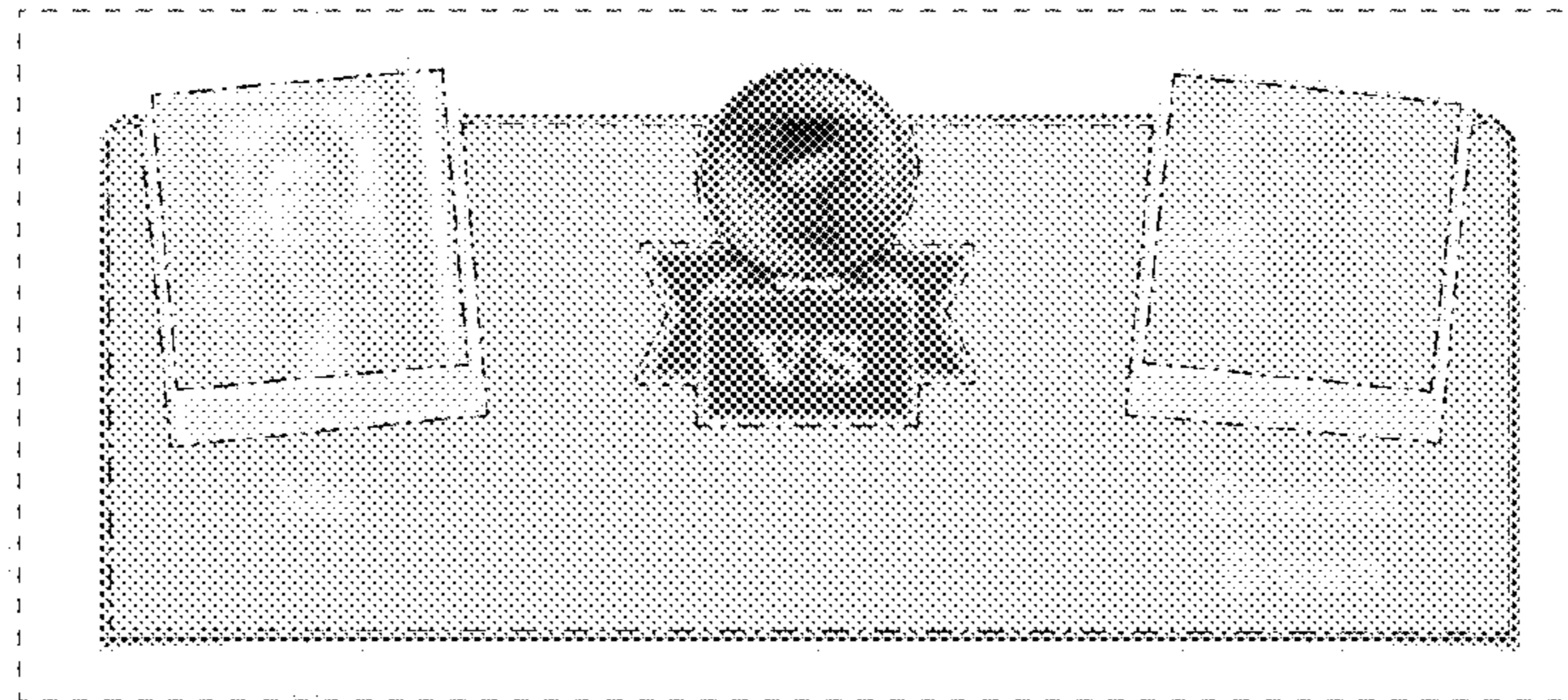
8,621,393 B2 12/2013 Chaudhri et al.  
D702,715 S \* 4/2014 Abratowski et al. .... D14/489  
D707,246 S 6/2014 Inose et al.

2007/0018390 A1\* 1/2007 Sumner et al. .... 273/243  
2009/0153288 A1 6/2009 Hope et al.  
2010/0182341 A1 7/2010 Lee et al.  
2011/0126156 A1 5/2011 Krishnaraj et al.  
2012/0007891 A1 1/2012 Chiang

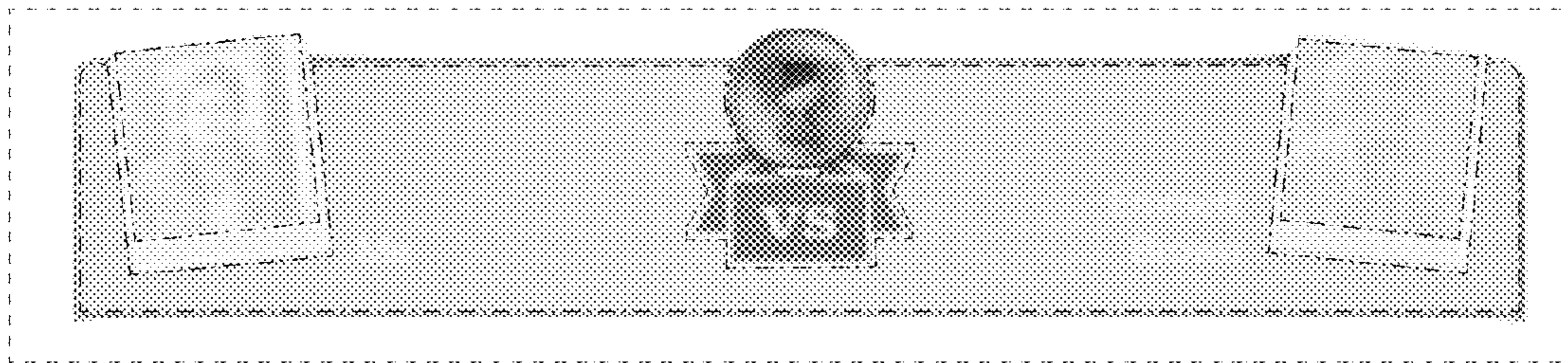
\* cited by examiner



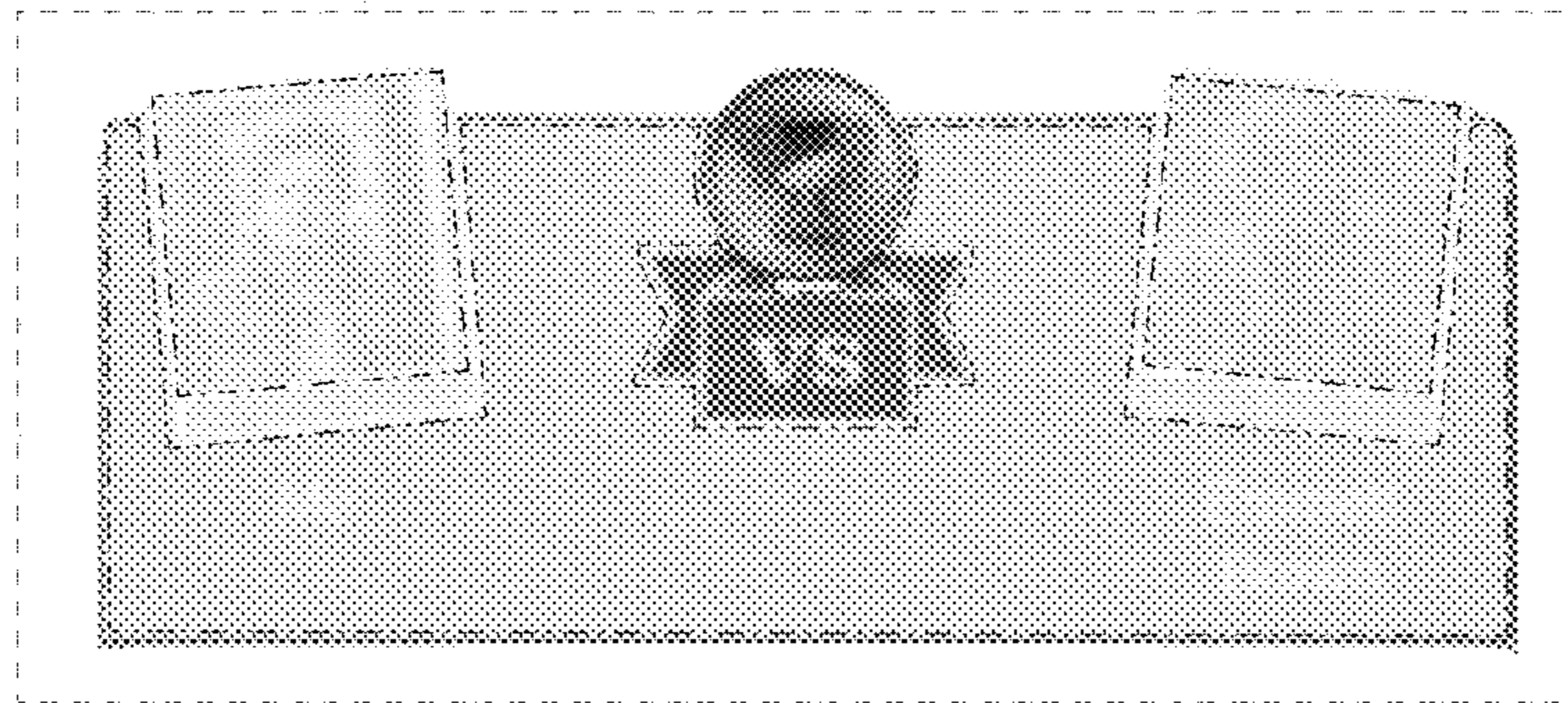
**FIG. 1**



**FIG. 2**



**FIG. 3**



**FIG. 4**