



US00D724601S

(12) **United States Design Patent**
Hsieh et al.

(10) **Patent No.:** **US D724,601 S**
(45) **Date of Patent:** **** Mar. 17, 2015**

- (54) **FLASH DRIVE HOUSING WITH A SNAP HOOK**
- (71) Applicant: **PNY Technologies, Inc.**, Parsippany, NJ (US)
- (72) Inventors: **Tai-Kao Hsieh**, Zhubei (TW); **Hen-An Chen**, Zhubei (TW)
- (73) Assignee: **PNY Technologies, Inc.**, Parsippany, NJ (US)

D655,709	S *	3/2012	Huang	D14/480.3
8,179,669	B2 *	5/2012	Huang	361/679.31
8,192,211	B1 *	6/2012	Huang	439/131
D662,941	S *	7/2012	Emami	D14/480.3
D672,361	S *	12/2012	Huang	D14/480.3
8,542,483	B2 *	9/2013	Huang	361/679.32
D709,344	S *	7/2014	Adelman et al.	D8/105
D709,513	S *	7/2014	Huang	D14/480.3
2004/0145878	A1 *	7/2004	Wang	361/785
2012/0087079	A1 *	4/2012	Ting	361/679.32
2012/0239836	A1 *	9/2012	Enayati	710/74
2013/0327183	A1 *	12/2013	Hsieh	81/3.09
2014/0211407	A1 *	7/2014	Huang	361/679.32

(**) Term: **14 Years**

(21) Appl. No.: **29/478,232**

(22) Filed: **Jan. 2, 2014**

(51) **LOC (10) Cl.** **14-02**

(52) **U.S. Cl.**
USPC **D14/480.3; D3/208**

(58) **Field of Classification Search**
CPC H05K 5/0278; G06K 19/07732
USPC D14/411, 433, 435.1, 436, 480.1-480.7,
D14/484.1, 137, 155, 203.1-203.8, 240,
D14/242; D13/133, 154; D3/201, 207, 208,
D3/273

See application file for complete search history.

(56) **References Cited**

U.S. PATENT DOCUMENTS

2,049,610	A *	8/1936	Guidry	70/459
D513,000	S *	12/2005	Cohen	D14/480.3
D606,078	S *	12/2009	Chen	D14/480.6
D624,306	S *	9/2010	Case	D3/207
D624,307	S *	9/2010	Case	D3/207
7,883,353	B2 *	2/2011	Hao et al.	439/358
D633,909	S *	3/2011	Heath et al.	D14/356
D640,263	S *	6/2011	Huang	D14/480.3

OTHER PUBLICATIONS

TechPowerUp :: A-DATA S805 Flash Drive Review, [online] Jul. 14, 2009 [retrieved on Aug. 7, 2009]. Retrieved from the Internet <URL: http://www.techpowerup.com/reviews/AData/S805_Flash_Drive/>.*

(Continued)

Primary Examiner — Karen E Kearney

(74) *Attorney, Agent, or Firm* — McCarter & English, LLP

(57) **CLAIM**

The ornamental design for a flash drive housing with a snap hook, as shown and described.

DESCRIPTION

FIG. 1 is a perspective view of a flash drive housing with a snap hook;

FIG. 2 is a right view of the housing of FIG. 1;

FIG. 3 is a left view of the housing of FIG. 1;

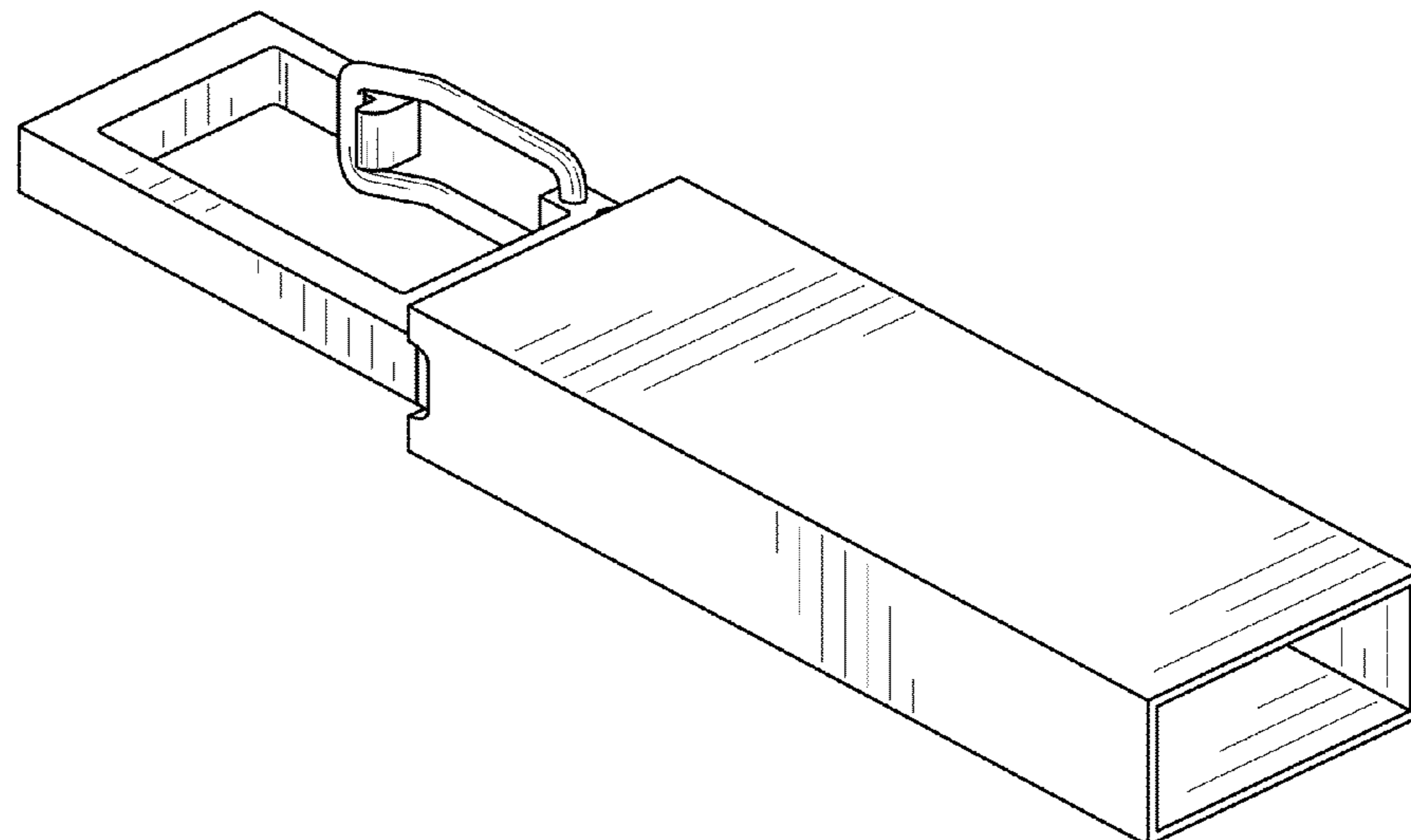
FIG. 4 is a rear view of the housing of FIG. 1;

FIG. 5 is a front view of the housing of FIG. 1;

FIG. 6 is a top view of the housing of FIG. 1; and,

FIG. 7 is a bottom view of the housing of FIG. 1.

1 Claim, 2 Drawing Sheets



(56)

References Cited

http://stores.ebay.com/2ronz/USB-Flash-Drive-/__i.html?_

OTHER PUBLICATIONS

fsub=2167100>.*

HP v250w 16GB 16G USB Flash Pen Drive Disk Metal, [online],
[retrieved on Mar. 26, 2013]. Retrieved from the Internet <URL:

* cited by examiner

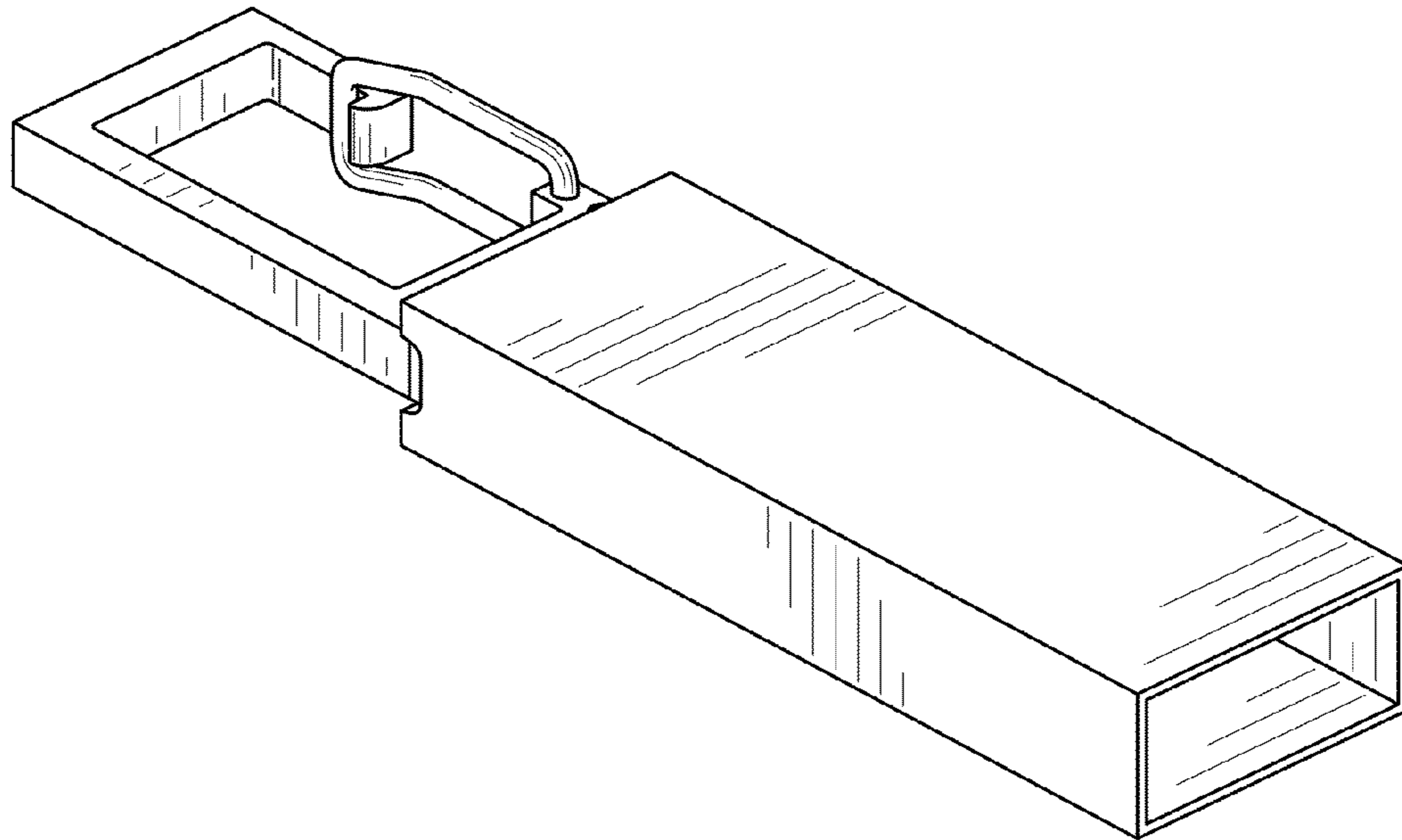


FIG. 1

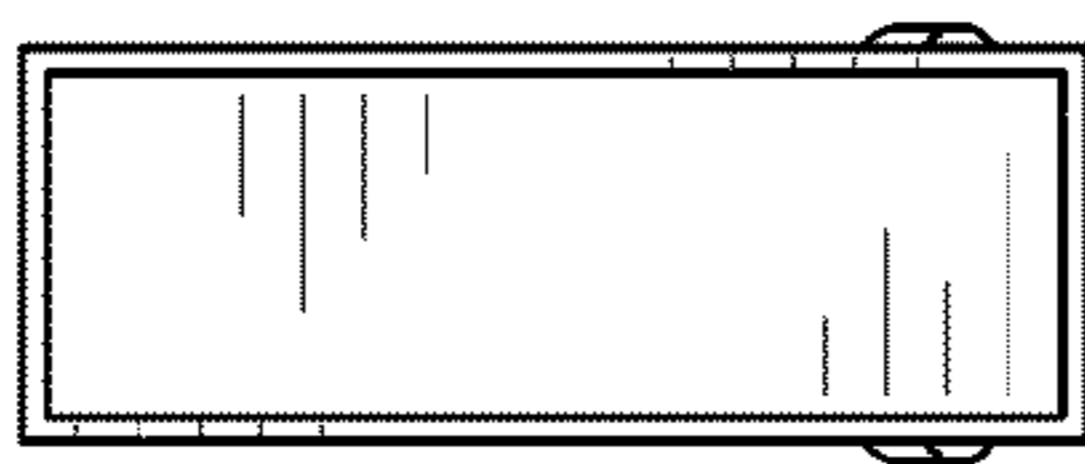


FIG. 2



FIG. 3

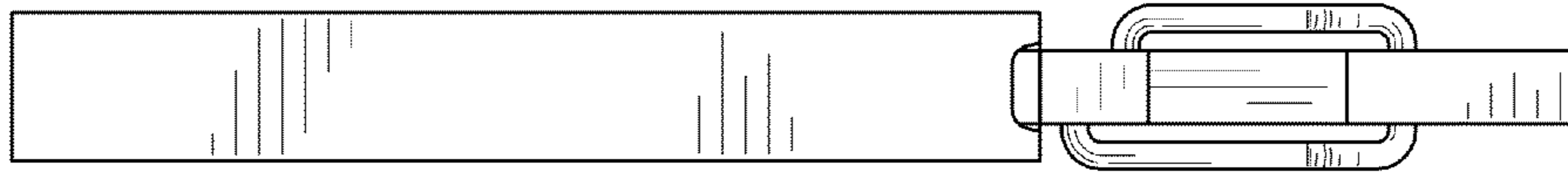


FIG. 4

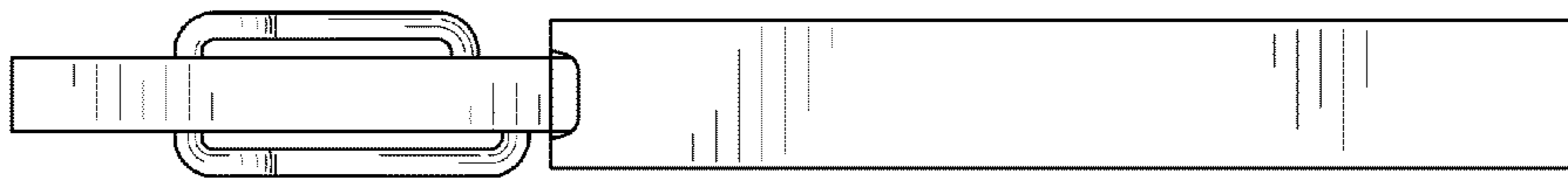


FIG. 5

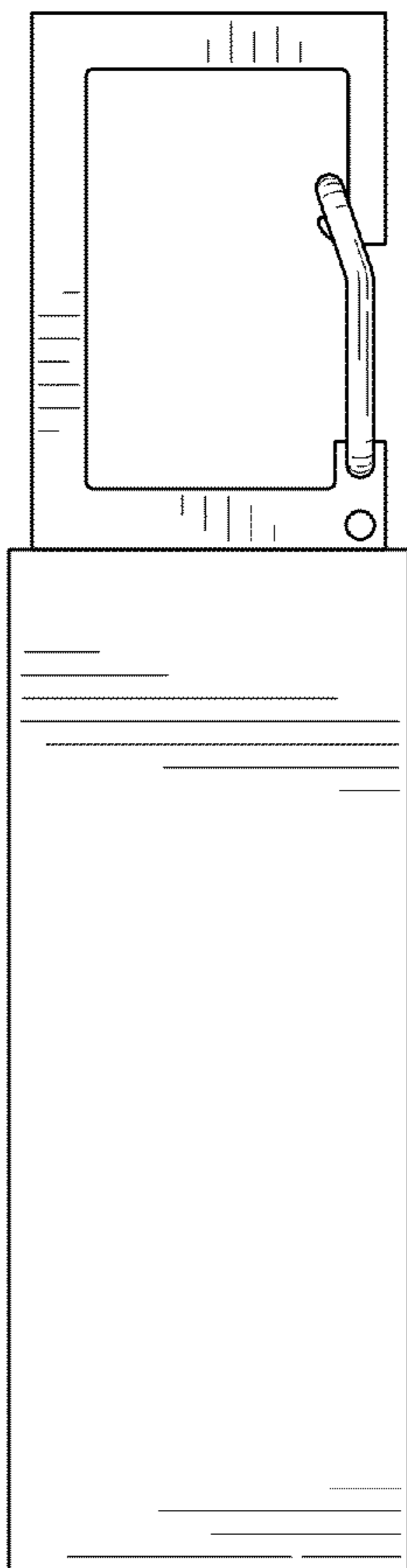


FIG. 6

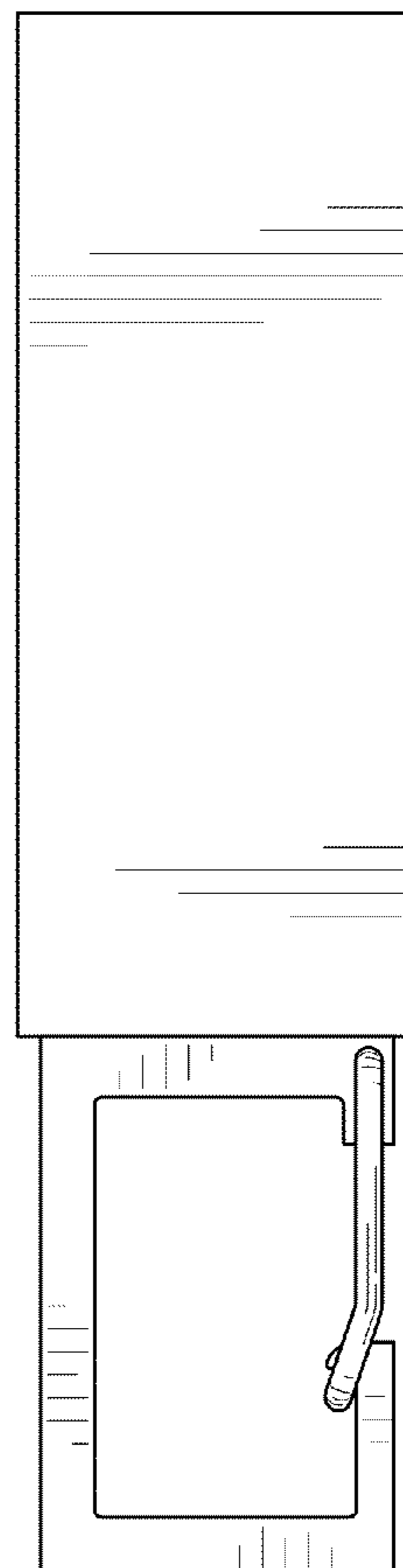


FIG. 7