



US00D724600S

(12) **United States Design Patent**
Hsieh et al.

(10) **Patent No.:** **US D724,600 S**
(45) **Date of Patent:** **** Mar. 17, 2015**

- (54) **USB FLASH DRIVE HOUSING**
- (71) Applicant: **PNY Technologies, Inc.**, Parsippany, NJ (US)
- (72) Inventors: **Tai-Kao Hsieh**, Zhubei (TW); **Hen-An Chen**, Zhubei (TW); **Ching-Ting Chang**, Zhubei (TW)
- (73) Assignee: **PNY Technologies, Inc.**, Parsippany, NJ (US)
- (**) Term: **14 Years**
- (21) Appl. No.: **29/472,637**
- (22) Filed: **Nov. 14, 2013**
- (51) **LOC (10) Cl.** **14-02**
- (52) **U.S. Cl.**
USPC **D14/480.1**
- (58) **Field of Classification Search**
CPC H05K 5/0278; G06K 19/07732
USPC D14/411, 433, 435.1, 436, 480.1–480.7, D14/484.1, 137, 155, 203.1–203.8, 240, D14/242; D13/133, 154
See application file for complete search history.

(56) **References Cited**

U.S. PATENT DOCUMENTS

D489,053	S	*	4/2004	Nakamura	D14/480.5
D513,005	S	*	12/2005	Kobayakawa	D14/480.1
7,094,078	B2	*	8/2006	Okada	439/135
D583,374	S	*	12/2008	Otsuka	D14/480.5
7,551,450	B2	*	6/2009	Sugawara et al.	361/752
D624,552	S	*	9/2010	Lee et al.	D14/480.5
D624,553	S	*	9/2010	Mamone	D14/480.5
D656,139	S	*	3/2012	Schlossstein	D14/480.1

D656,148	S	*	3/2012	Schlossstein	D14/480.6
D662,941	S	*	7/2012	Emami	D14/480.3
D670,711	S	*	11/2012	Ma	D14/480.1
D689,871	S	*	9/2013	Anderson et al.	D14/480.1
2004/0145878	A1	*	7/2004	Wang	361/785

OTHER PUBLICATIONS

TV walker thumb, Web Archive [online] Jan. 7, 2006 [retrieved on Jul. 6, 2007]. Retrieved from the Internet <URL: http://web.archive.org/web/20060107092152/http://www.tvsnob.com/images/tv_walker-thumb.jpg>.*

USB Flash Memory Stick, [online], [retrieved on Dec. 14, 2006]. Retrieved from the Internet <URL: http://www.ericbeare.com/public/Theme19/Large_Window.asp?p=1&ProductID=A%2D0160>.*

(Continued)

Primary Examiner — Karen E Kearney

(74) *Attorney, Agent, or Firm* — McCarter & English, LLP

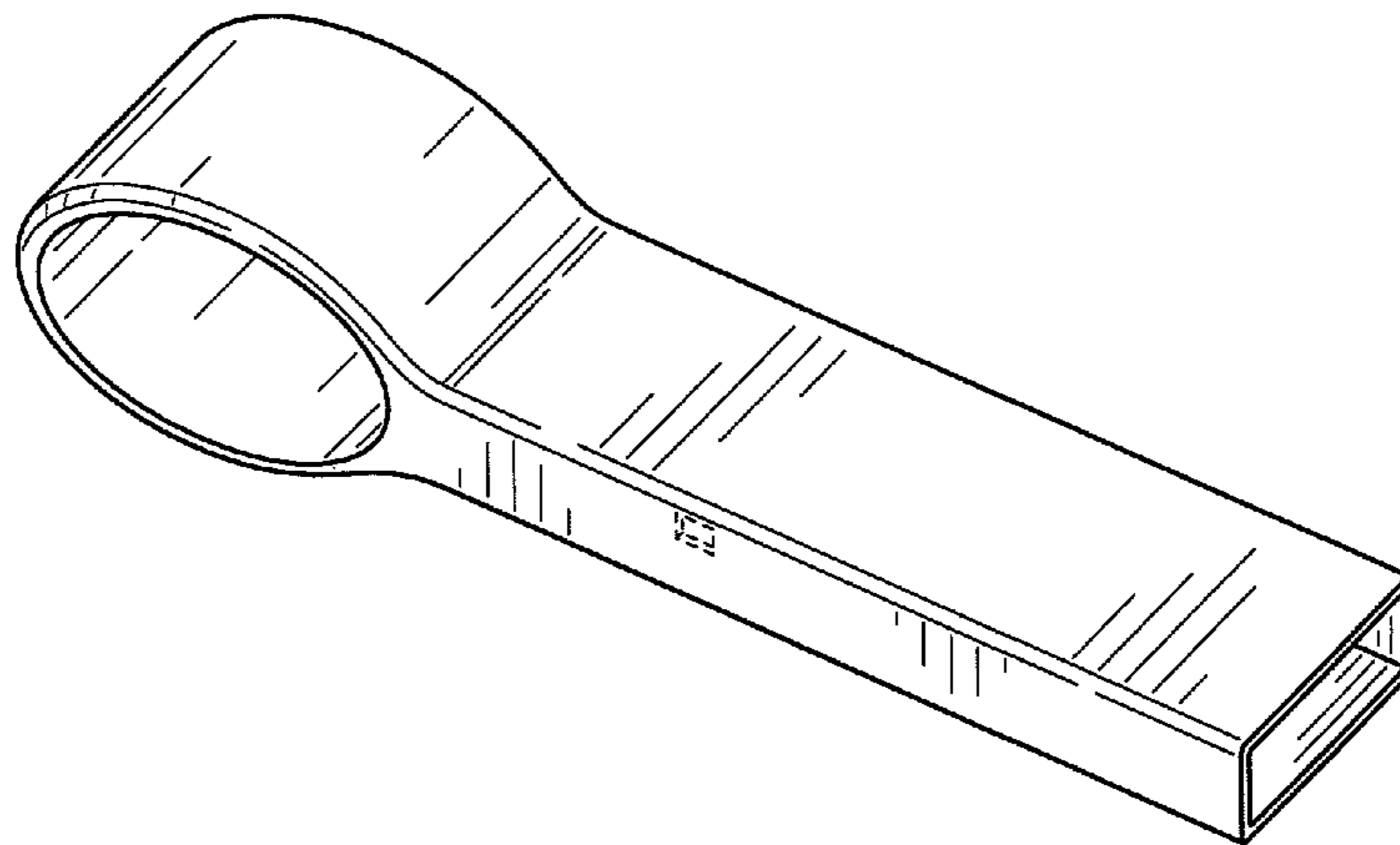
(57) **CLAIM**

The ornamental design for a USB flash drive housing, as shown and described.

DESCRIPTION

FIG. 1 is a perspective view of a USB flash drive housing; FIG. 2 is a front view of the housing of FIG. 1; FIG. 3 is a rear view of the housing of FIG. 1; FIG. 4 is a right side view of the housing of FIG. 1; FIG. 5 is a left side view of the housing of FIG. 1; FIG. 6 is a top view of the housing of FIG. 1; and, FIG. 7 is a bottom view of the housing of FIG. 1. The broken line showing is included for the purpose of illustrating portions of the USB flash drive housing and forms no part of the claimed design.

1 Claim, 2 Drawing Sheets



(56)

References Cited

OTHER PUBLICATIONS

Kingston DataTraveler SE9 and DataTraveler Micro tiny USB drives launched, [online] Jan. 31, 2012 [retrieved on Aug. 6, 2012]. Retrieved from the Internet <URL: <http://www.pclaunches.com/hard-drive/kingston-datatraveler-se9-and-datatraveler-micro-tiny-usb-drives-launched.php>>.*

Silicon Power Firma F80 32GB 32G USB Flash Drive, [online], [retrieved on Mar. 26, 2013]. Retrieved from the Internet <URL: http://stores.ebay.com/2ronz/USB-Flash-Drive/_i.html?__fsub=216710013>.*

* cited by examiner

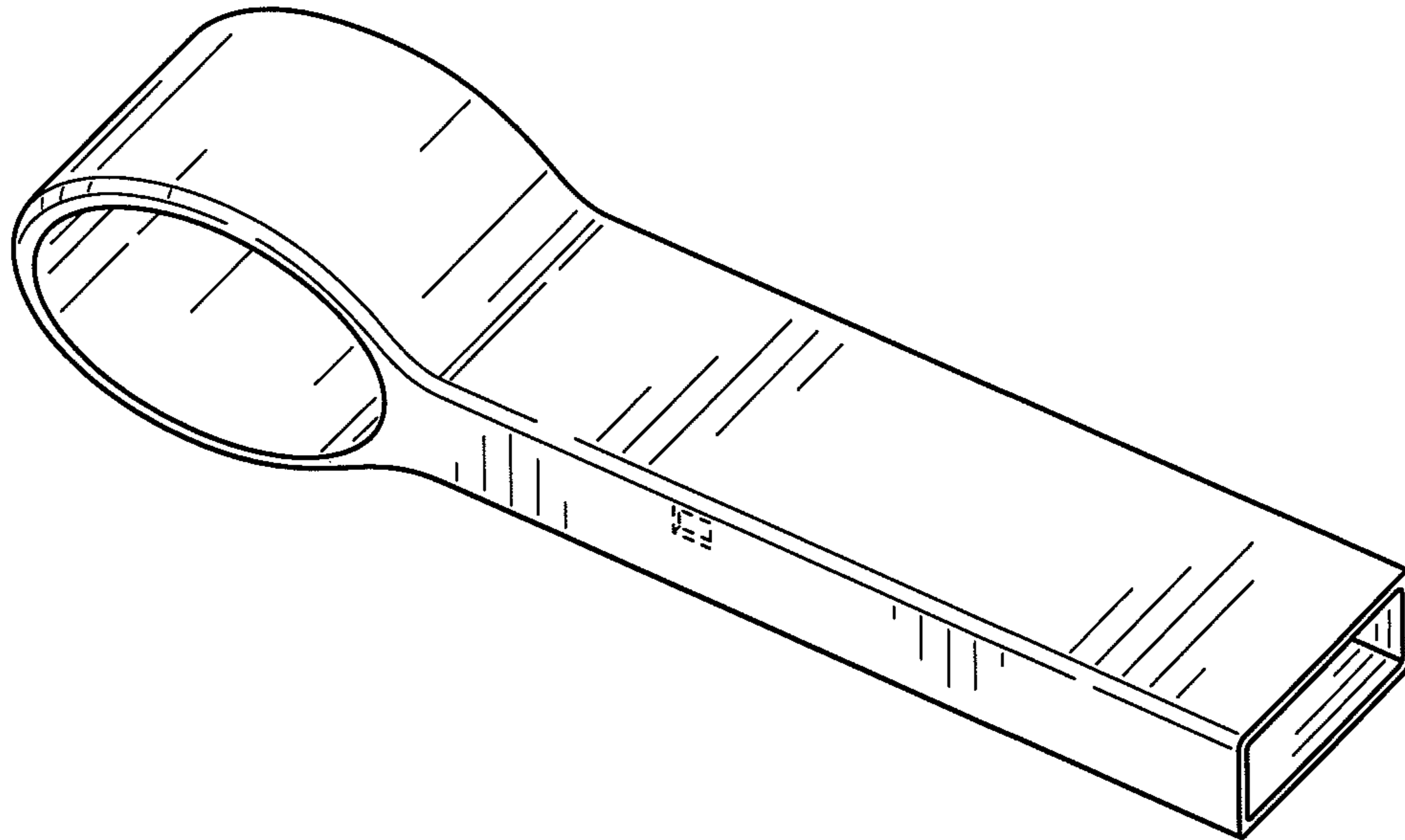


FIG. 1

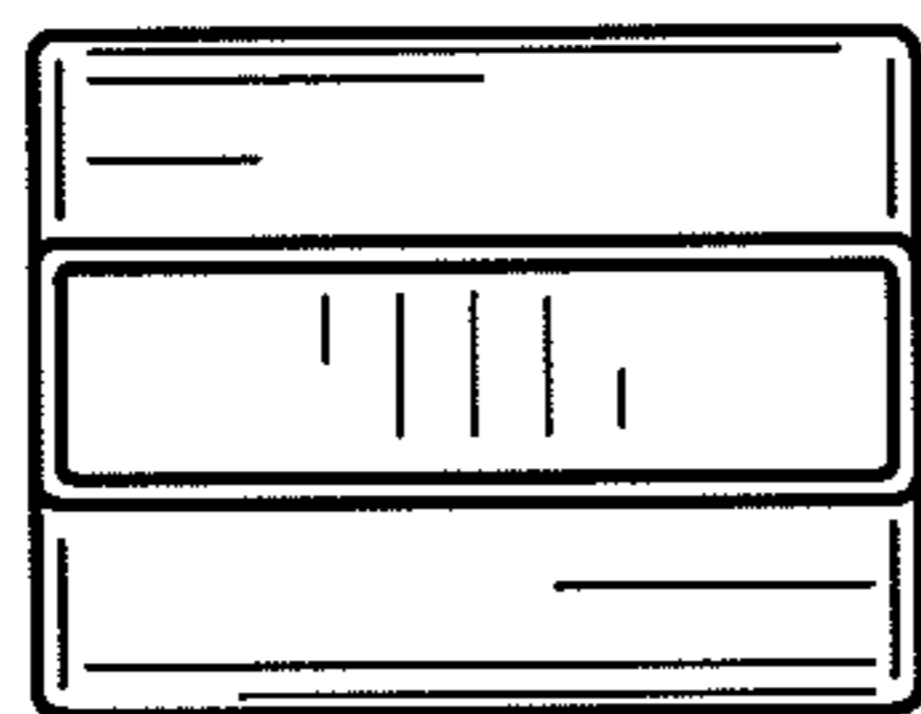


FIG. 2

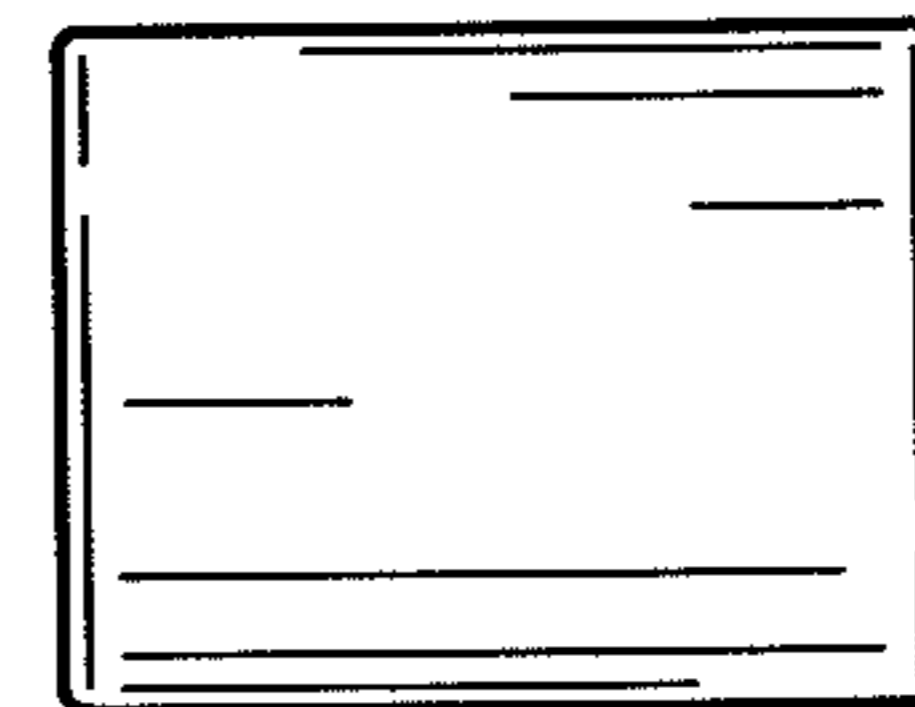


FIG. 3

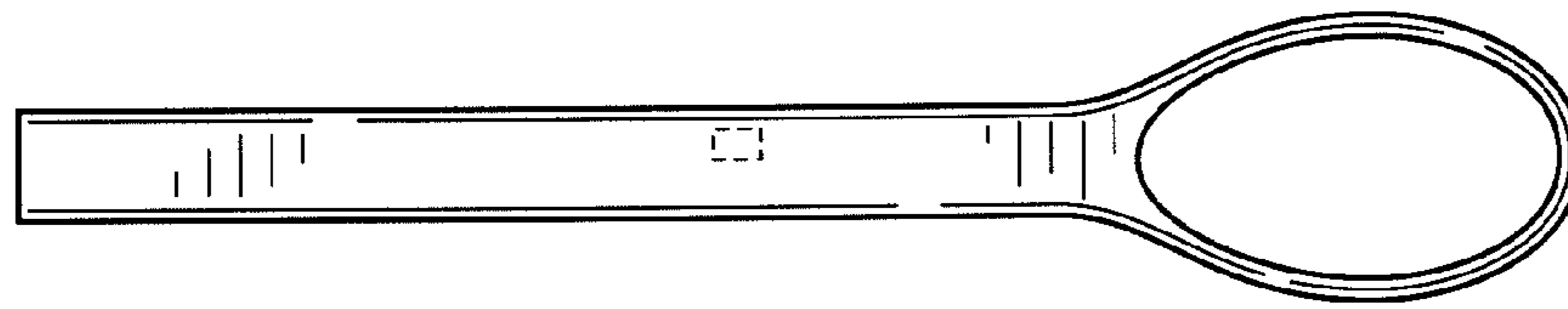


FIG. 4

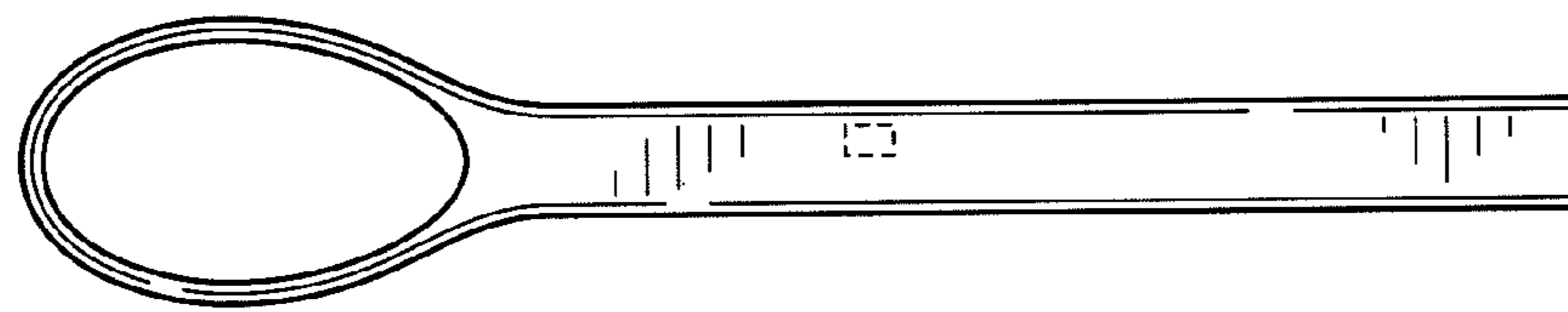


FIG. 5

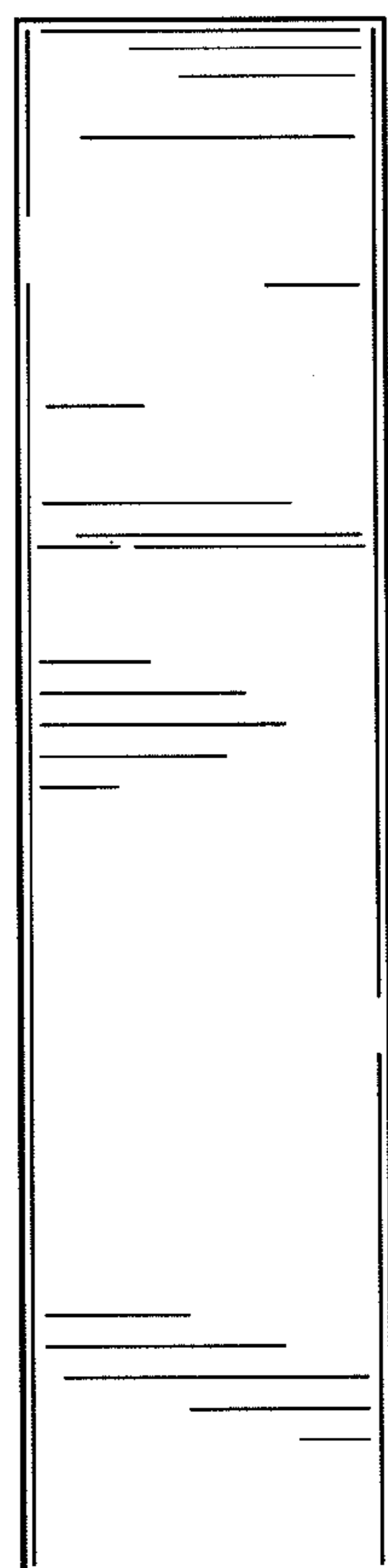


FIG. 6

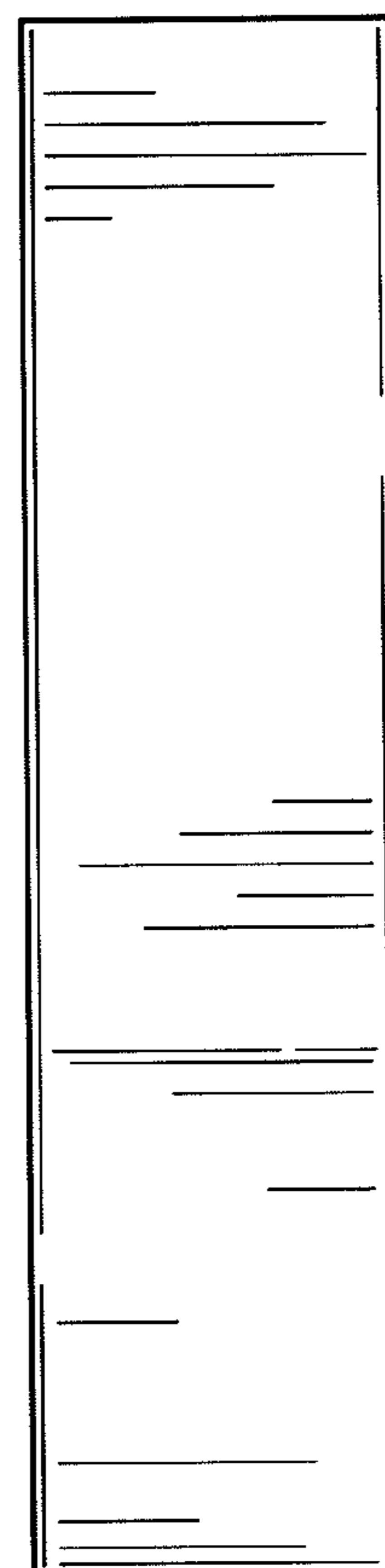


FIG. 7

UNITED STATES PATENT AND TRADEMARK OFFICE
CERTIFICATE OF CORRECTION

PATENT NO. : D724,600 S
APPLICATION NO. : 29/472637
DATED : March 17, 2015
INVENTOR(S) : Tai-Kao Hsieh, Hen-An Chen and Ching-Ting Chang

Page 1 of 1

It is certified that error appears in the above-identified patent and that said Letters Patent is hereby corrected as shown below:

Item 30

The priority claim to Taiwan Patent Application No. 102209027 having a priority date of May 15, 2013, should be included on the title page of the patent.

Signed and Sealed this
Fifteenth Day of March, 2016



Michelle K. Lee
Director of the United States Patent and Trademark Office