



US00D724598S

(12) **United States Design Patent**  
**Gelsomini et al.**

(10) **Patent No.:** **US D724,598 S**  
(45) **Date of Patent:** **\*\* Mar. 17, 2015**

(54) **TABLET STAND WITH BALL JOINT**

(71) Applicant: **Dundee Precious Metals Inc.**, Toronto (CA)

(72) Inventors: **Mark Gelsomini**, Richmond Hill (CA);  
**Richard Coulson**, Vaughan (CA)

(73) Assignee: **Dundee Precious Metals Inc.**, Toronto (CA)

(\*\*) Term: **14 Years**

(21) Appl. No.: **29/465,590**

(22) Filed: **Aug. 29, 2013**

**Related U.S. Application Data**

(62) Division of application No. 29/437,975, filed on Nov. 22, 2012, now Pat. No. Des. 697,919.

(30) **Foreign Application Priority Data**

May 23, 2012 (CA) ..... 145746

(51) **LOC (10) Cl.** ..... **08-07**

(52) **U.S. Cl.**  
USPC ..... **D14/447**

(58) **Field of Classification Search**

USPC ..... D14/447, 432, 433, 439, 440, 451, 452, D14/239, 217, 224.1, 251, 252, 253, 457, D14/458, 459, 460, 461, 434, 205, 209.1, D14/223; D6/406.1, 406.2, 406.3, 406.4, D6/406.5, 406.6; D12/415; 361/679.09, 361/679.21, 679.22, 679.24, 679.26, 361/679.27, 679.28, 679.3, 679.55, 679.56, 361/709; 248/917-924, 133, 136, 139, 150, 248/176.1, 188.6; D13/108, 110; D8/363; D21/333

See application file for complete search history.

(56) **References Cited**

U.S. PATENT DOCUMENTS

D309,307 S 7/1990 Sigurdson  
D356,074 S 3/1995 Coblenz et al.

(Continued)

*Primary Examiner* — Angela J Lee

(74) *Attorney, Agent, or Firm* — Gowling Lafleur Henderson LLP

(57) **CLAIM**

The ornamental design for a tablet stand with ball joint, as shown and described.

**DESCRIPTION**

FIG. 1 is an isometric front view of a tablet stand with ball joint showing the new design;

FIG. 2 is a front view of the design of FIG. 1;

FIG. 3 is a right side view of the design of FIG. 1;

FIG. 4 is a left side view of the design of FIG. 1;

FIG. 5 is a top view of the design of FIG. 1;

FIG. 6 is a bottom view of the design of FIG. 1;

FIG. 7 is a back view of the design of FIG. 1;

FIG. 8 is an isometric back view of the design of FIG. 1;

FIG. 9 is an isometric front view of a tablet stand with ball joint showing a first alternative embodiment of the new design;

FIG. 10 is a front view of the design of FIG. 9;

FIG. 11 is a right side view of the design of FIG. 9;

FIG. 12 is a left side view of the design of FIG. 9;

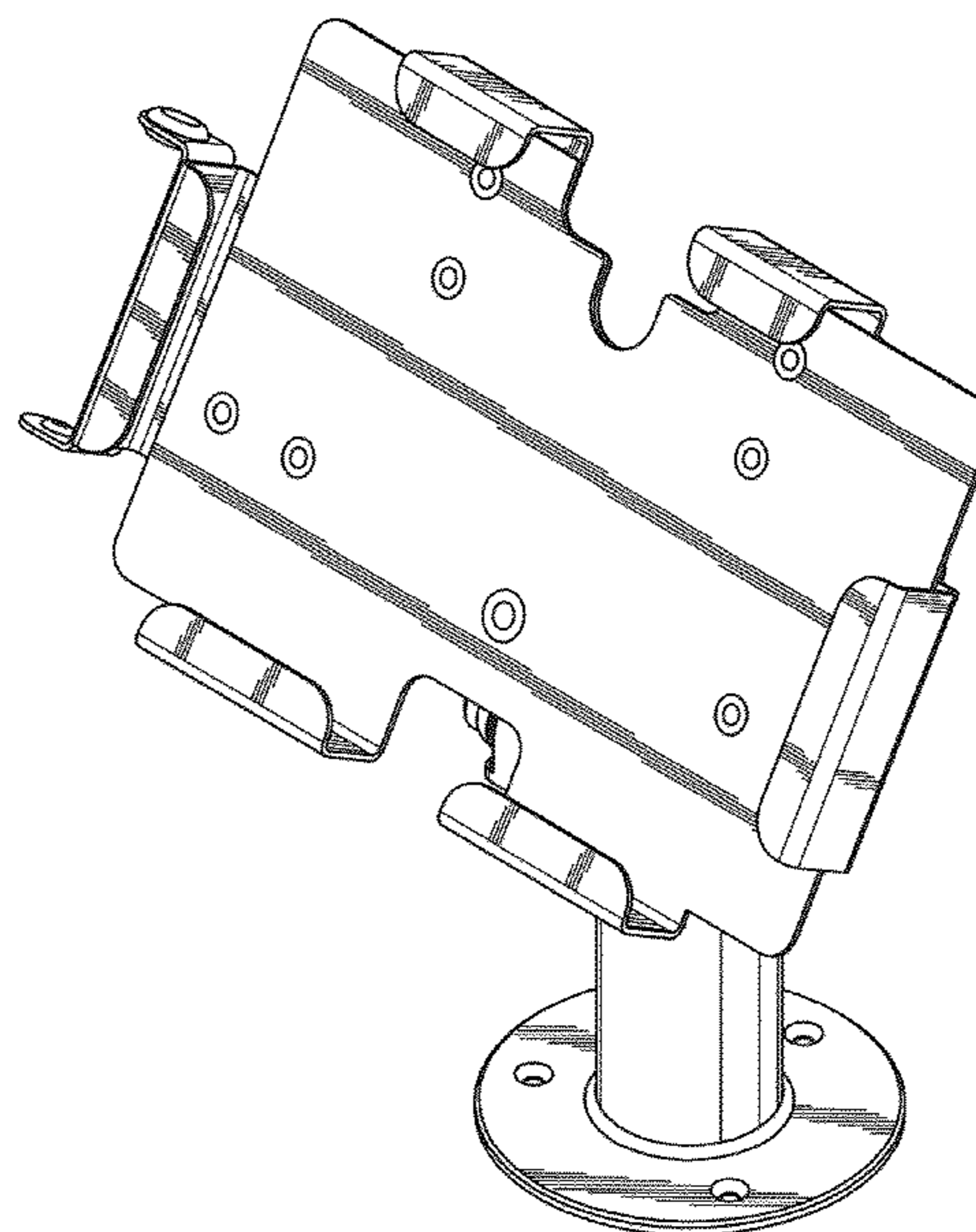
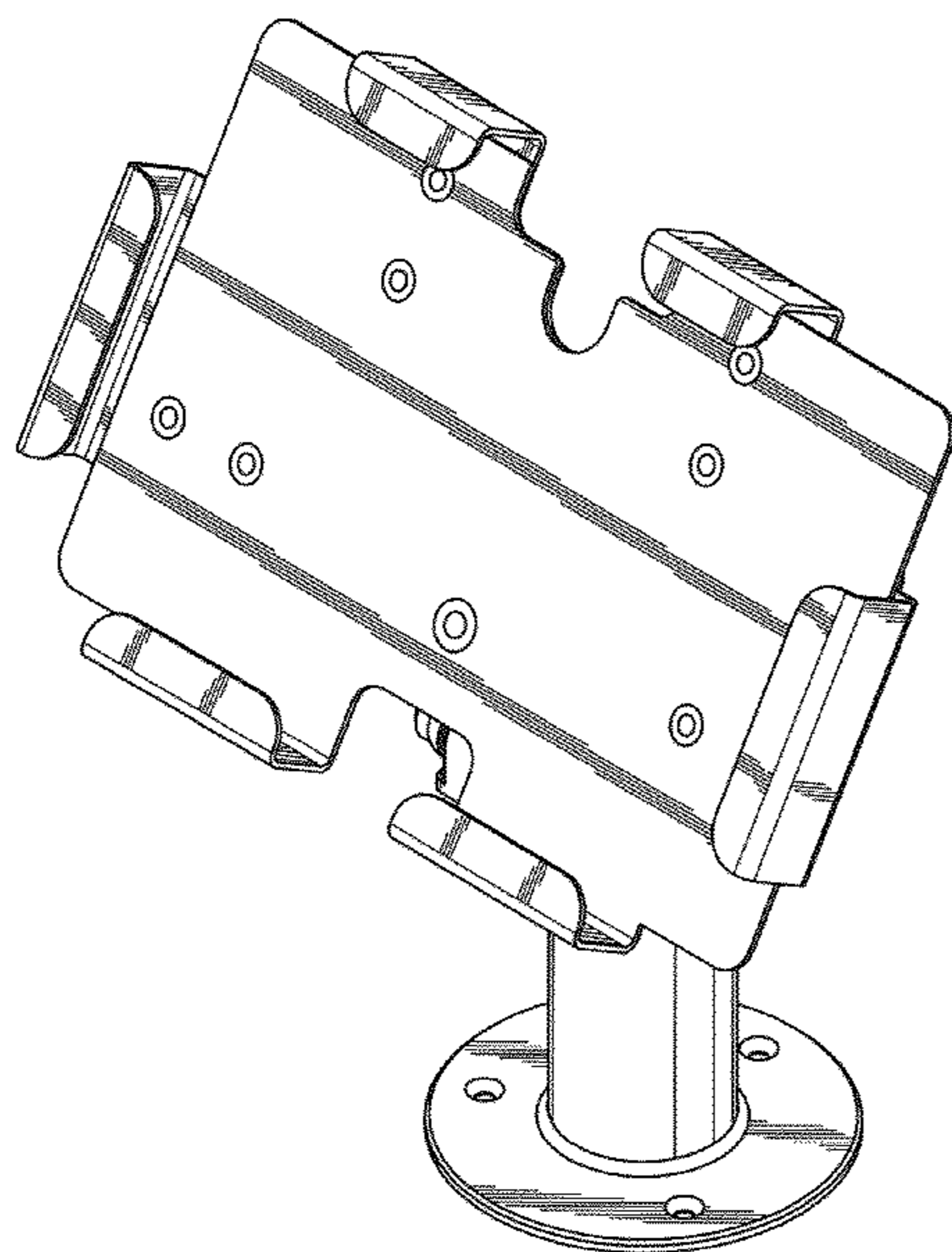
FIG. 13 is a top view of the design of FIG. 9;

FIG. 14 is a bottom view of the design of FIG. 9;

FIG. 15 is a back view of the design of FIG. 9; and,

FIG. 16 is an isometric back view of the design of FIG. 9.

**1 Claim, 16 Drawing Sheets**



(56)

**References Cited**

U.S. PATENT DOCUMENTS

D549,709 S 8/2007 Richter  
 D603,322 S 11/2009 Nicieja  
 D614,613 S 4/2010 Kim et al.  
 D629,405 S 12/2010 Crysell  
 D640,707 S \* 6/2011 Yeh ..... D14/447  
 D641,610 S \* 7/2011 Sedalo ..... D8/354  
 8,020,816 B2 \* 9/2011 Laitila et al. .... 248/125.7  
 D646,315 S 10/2011 Orf  
 D650,372 S 12/2011 Molter  
 D650,774 S 12/2011 Molter  
 8,240,628 B2 8/2012 Huang

D669,481 S 10/2012 Prescott et al.  
 D671,110 S 11/2012 Choi  
 D684,979 S \* 6/2013 Chun ..... D14/447  
 D684,980 S 6/2013 Chun  
 D689,502 S \* 9/2013 Belitz et al. .... D14/447  
 D693,352 S \* 11/2013 Gelsomini et al. .... D14/447  
 D696,672 S \* 12/2013 Brittain et al. .... D14/447  
 D697,919 S \* 1/2014 Gelsomini et al. .... D14/447  
 D704,195 S \* 5/2014 Marquette ..... D14/447  
 D707,672 S \* 6/2014 Lai ..... D14/253  
 D708,187 S \* 7/2014 Xiang ..... D14/447  
 D709,074 S \* 7/2014 Tsui et al. .... D14/447  
 2005/0236536 A1 \* 10/2005 Fan ..... 248/176.3

\* cited by examiner

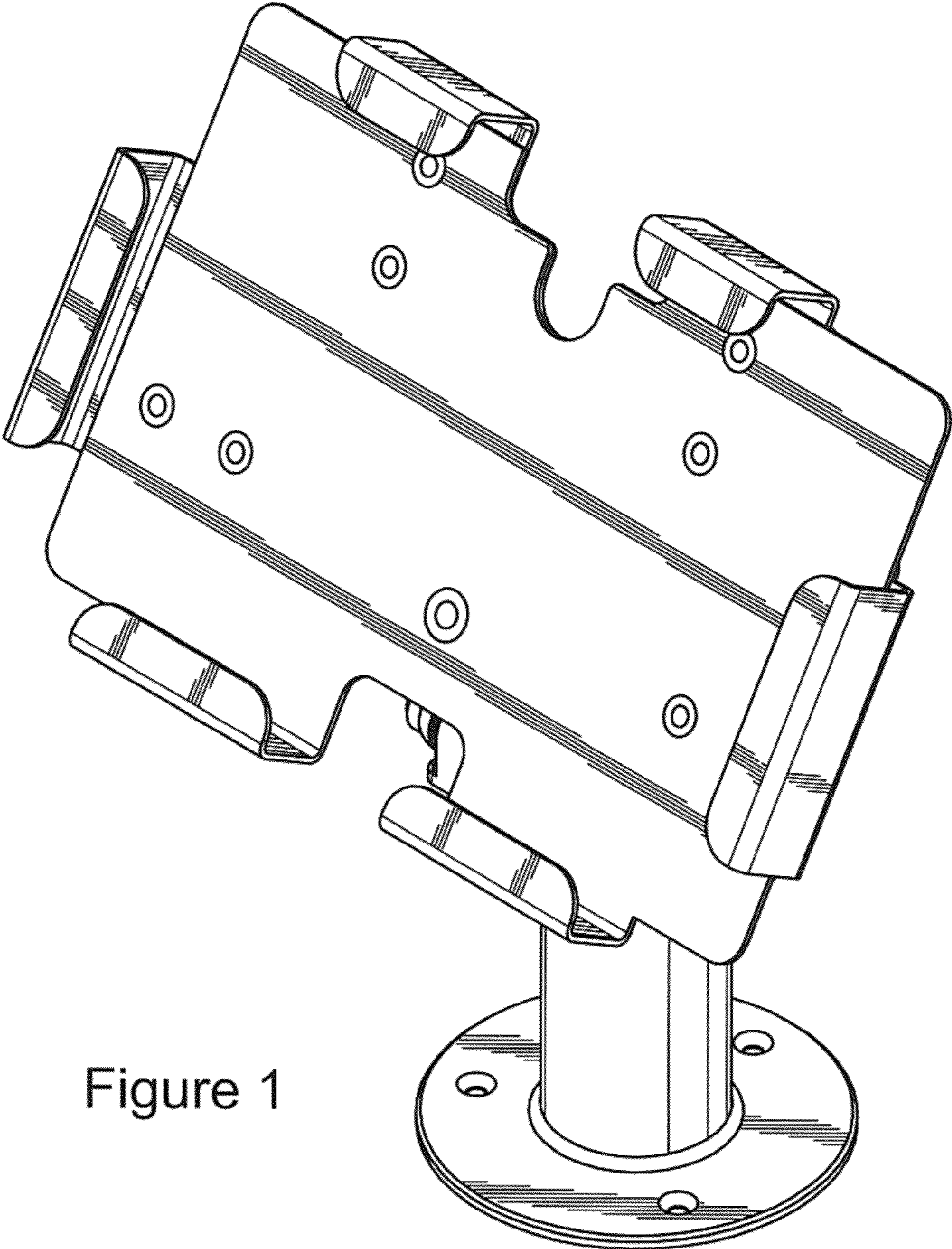


Figure 1

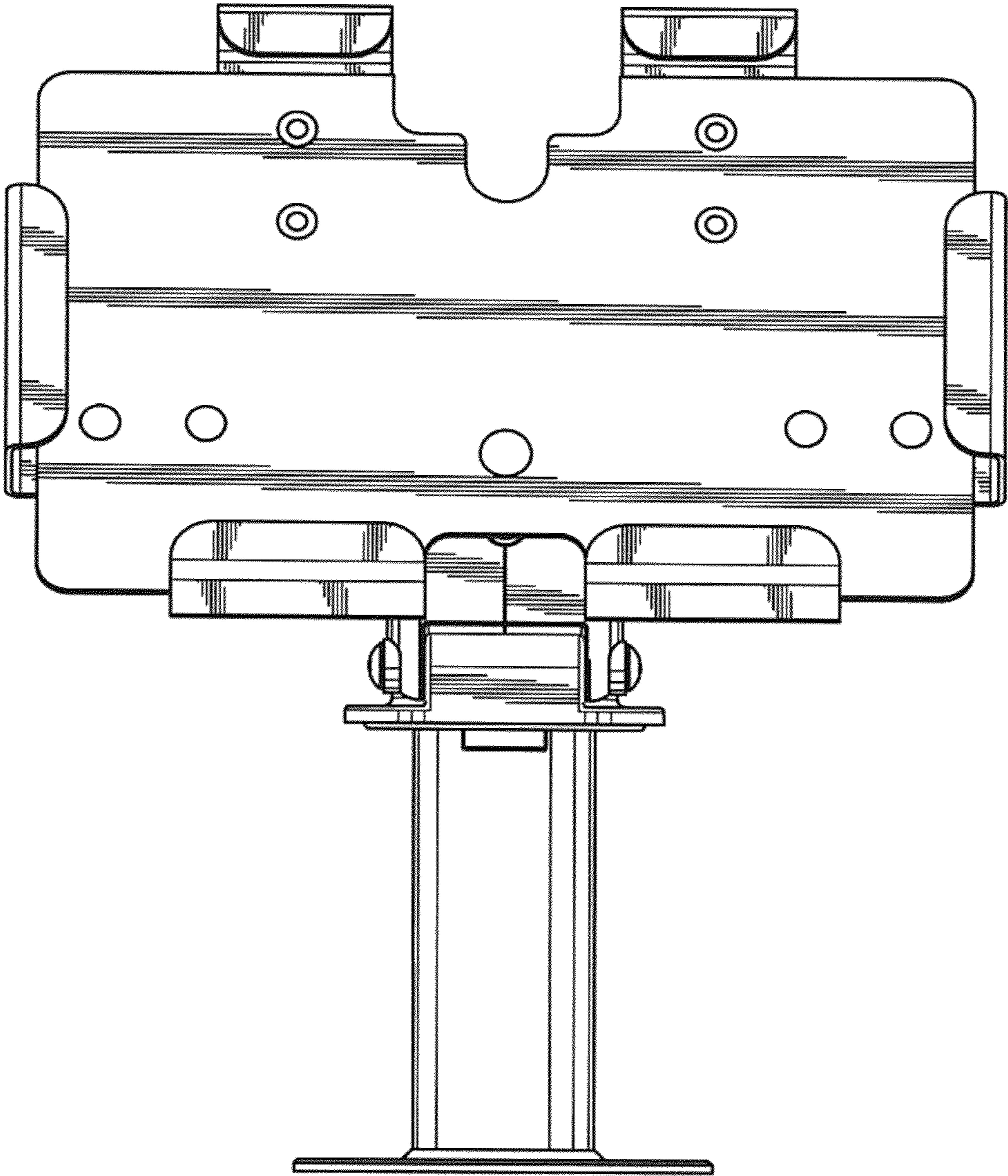


Figure 2

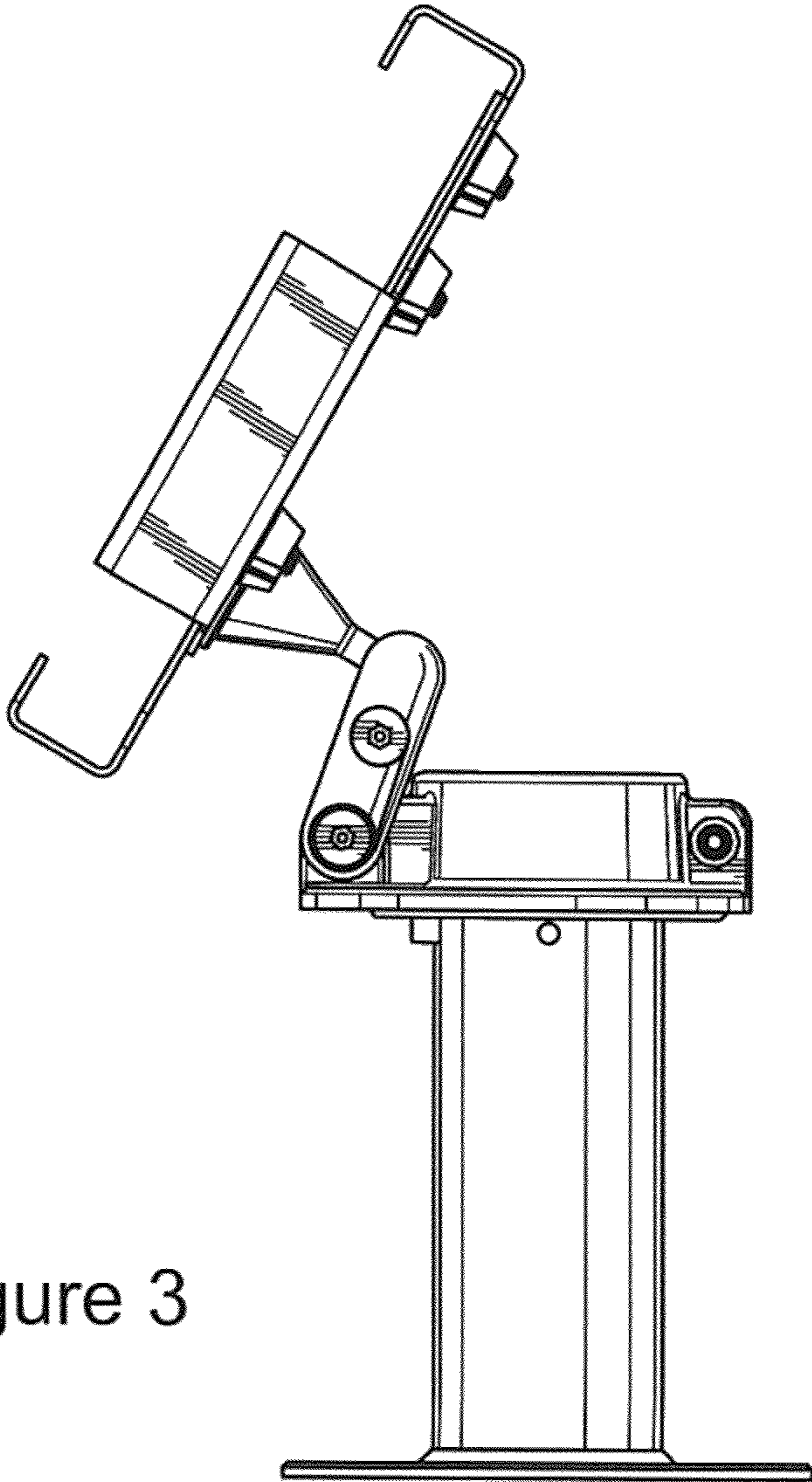


Figure 3

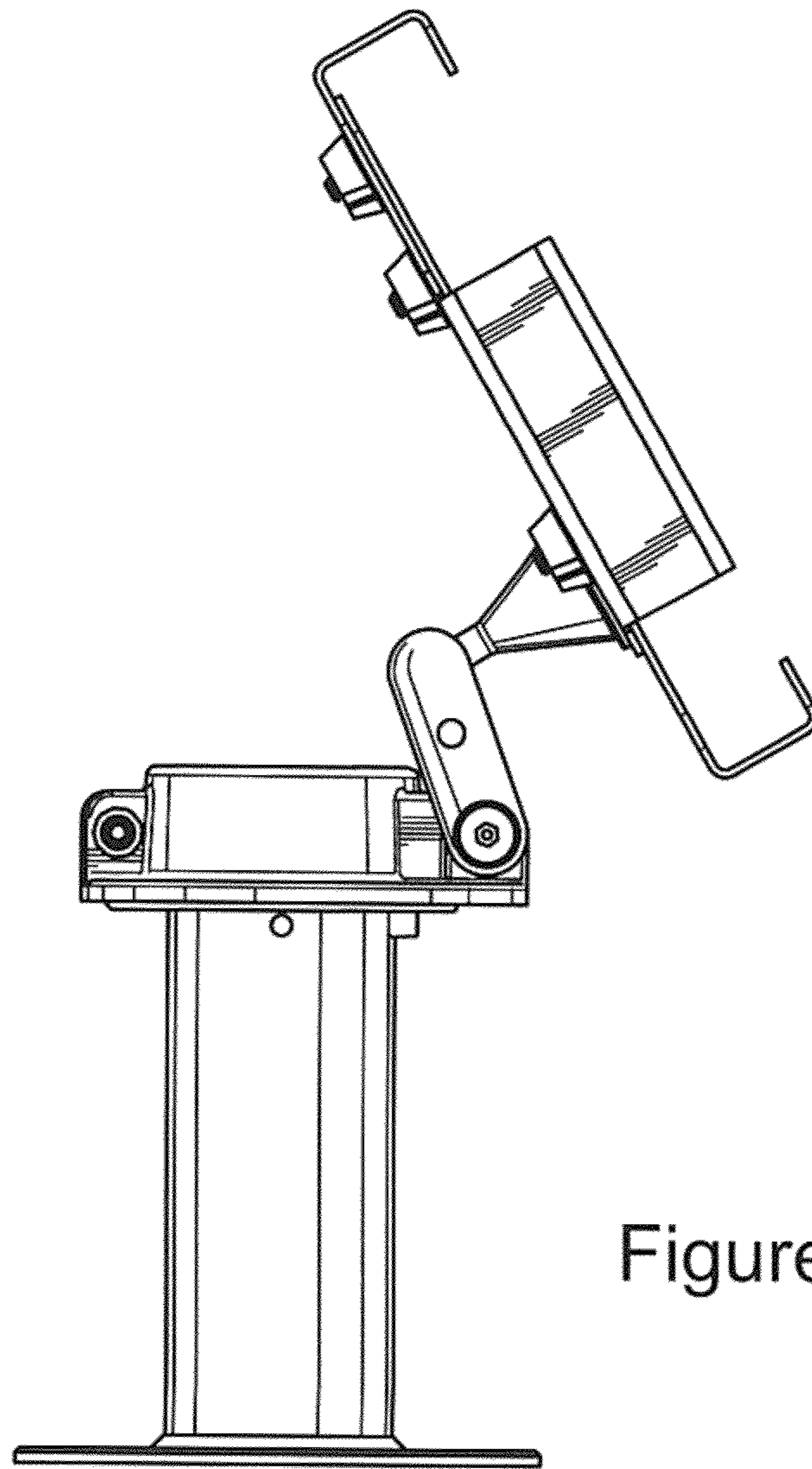


Figure 4

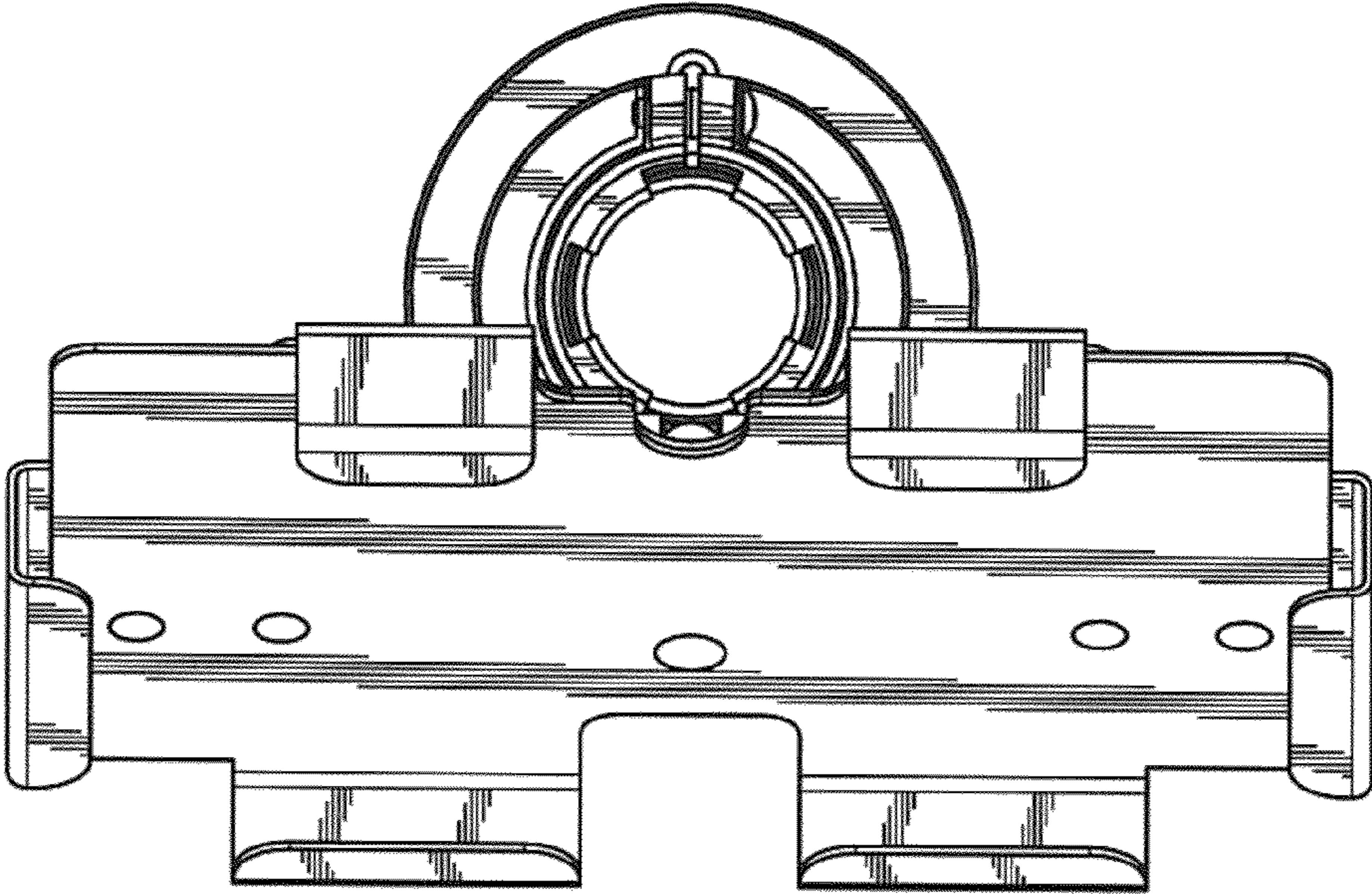


Figure 5

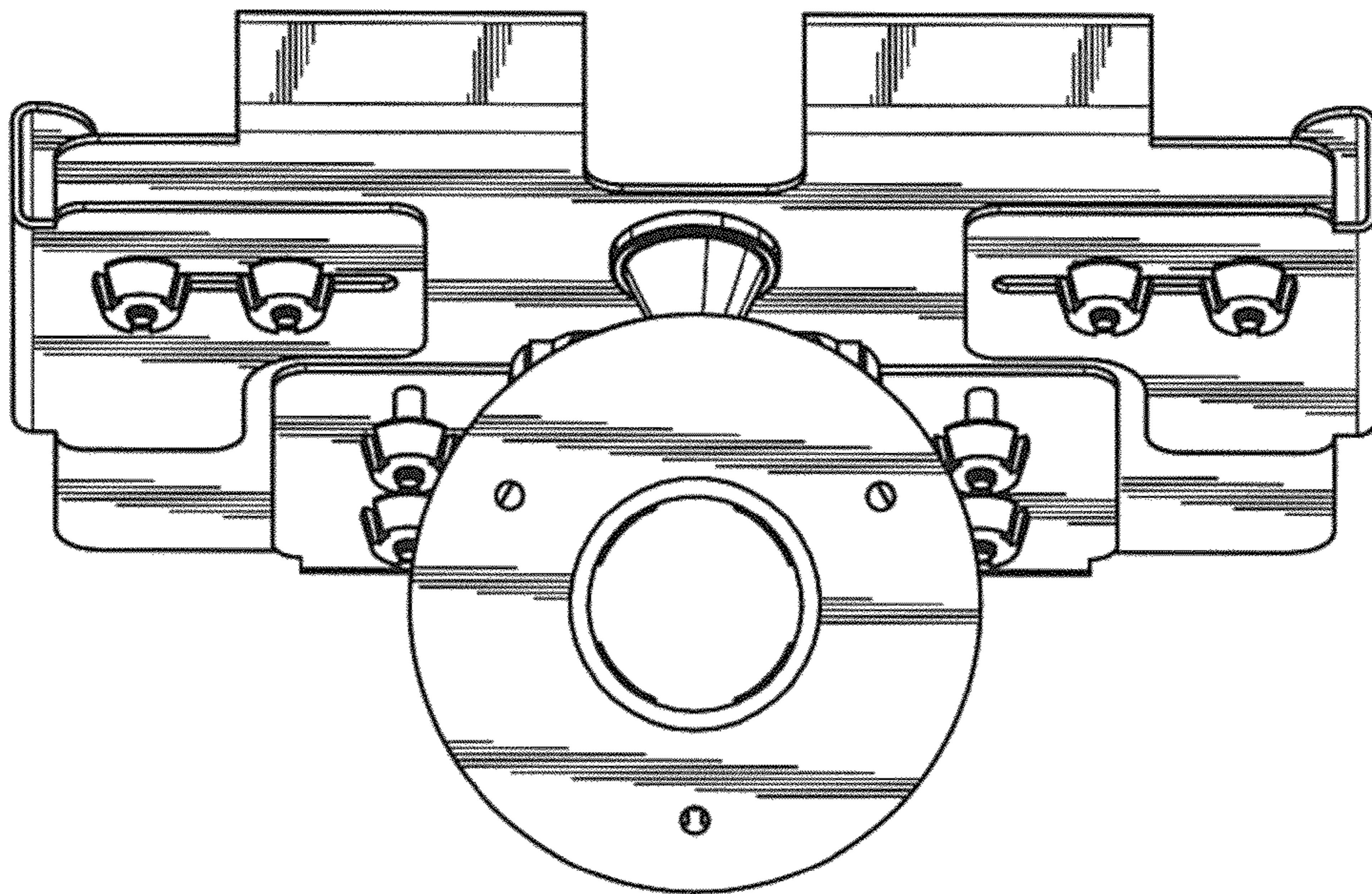


Figure 6



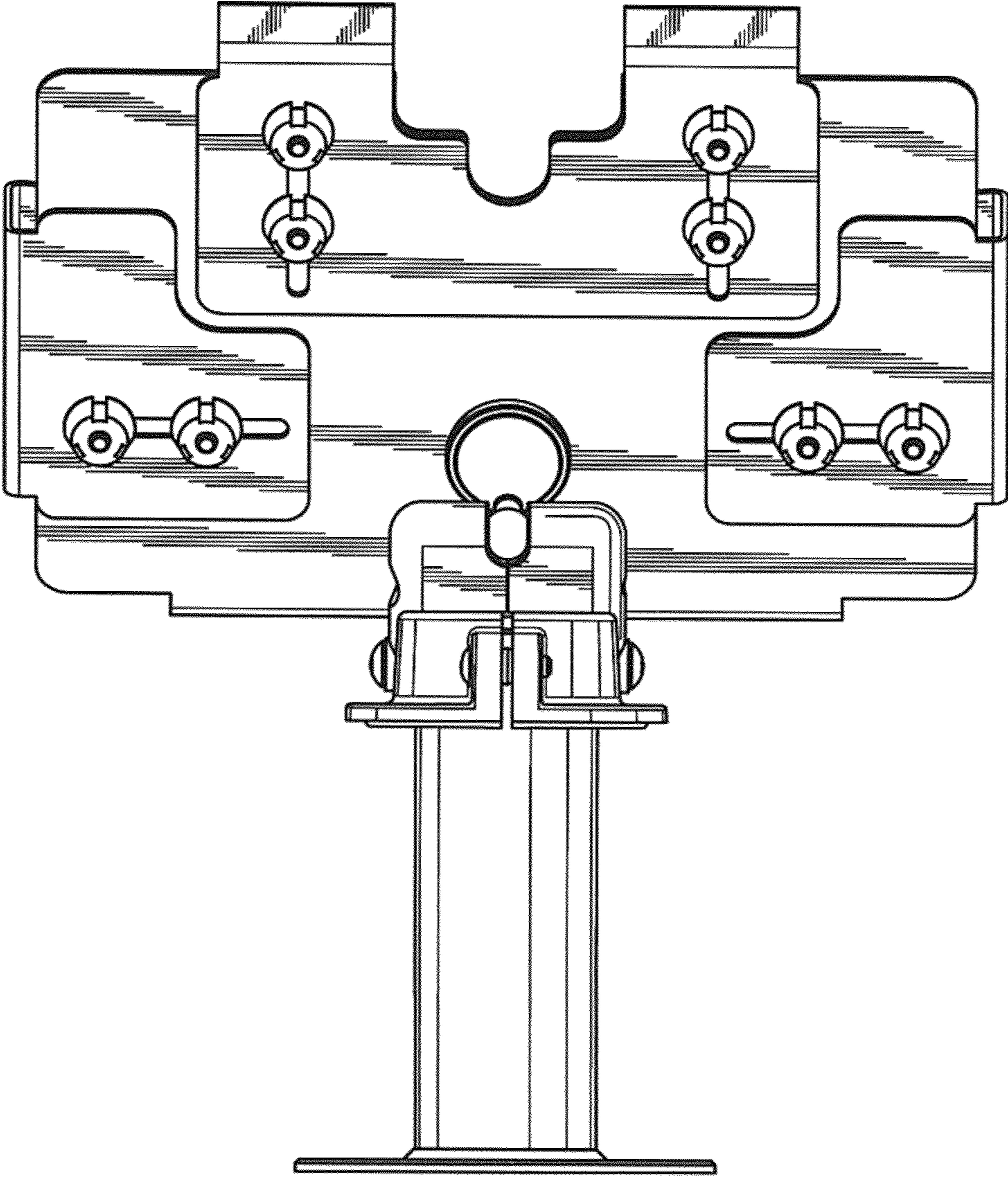


Figure 7

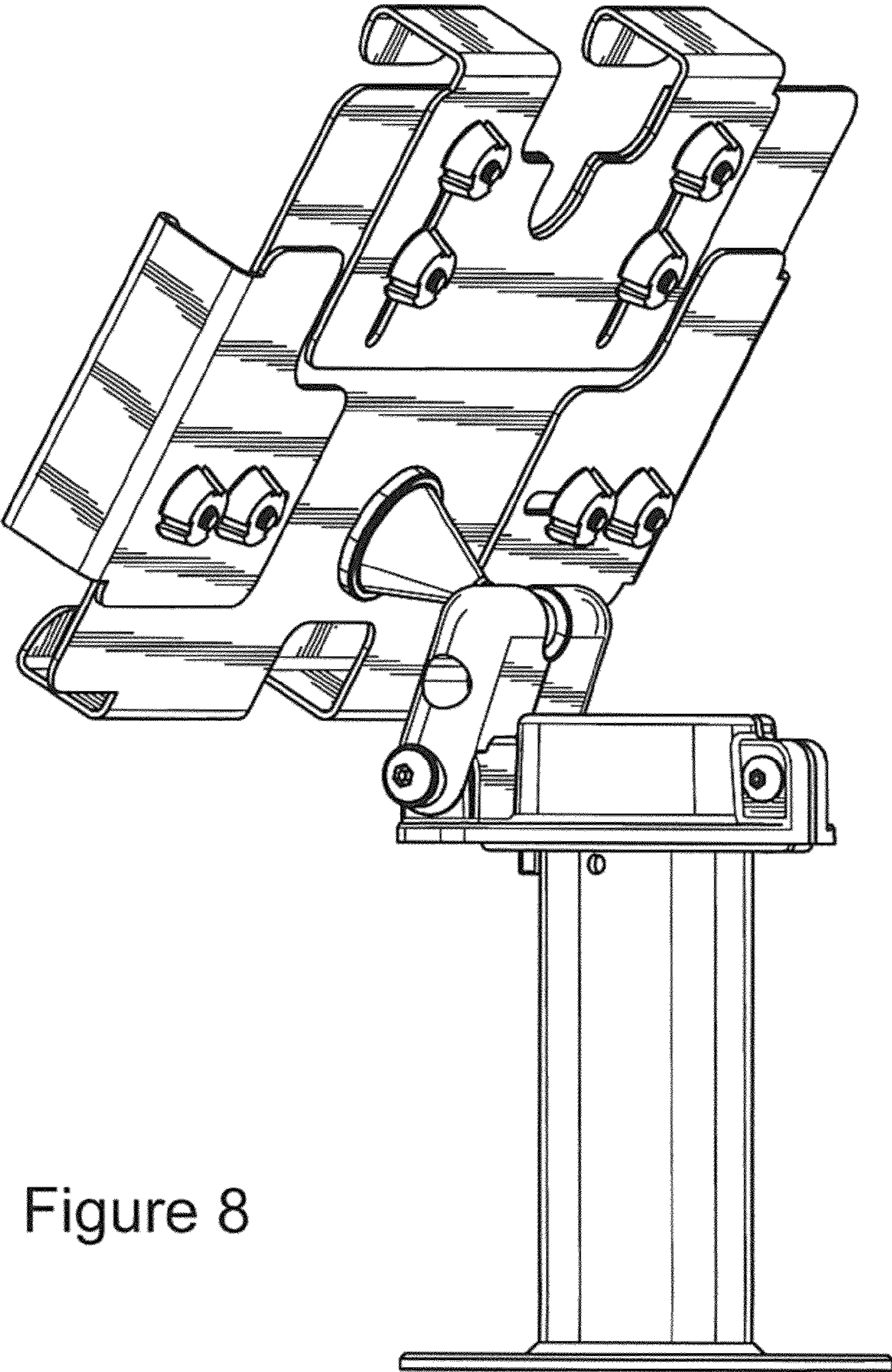


Figure 8

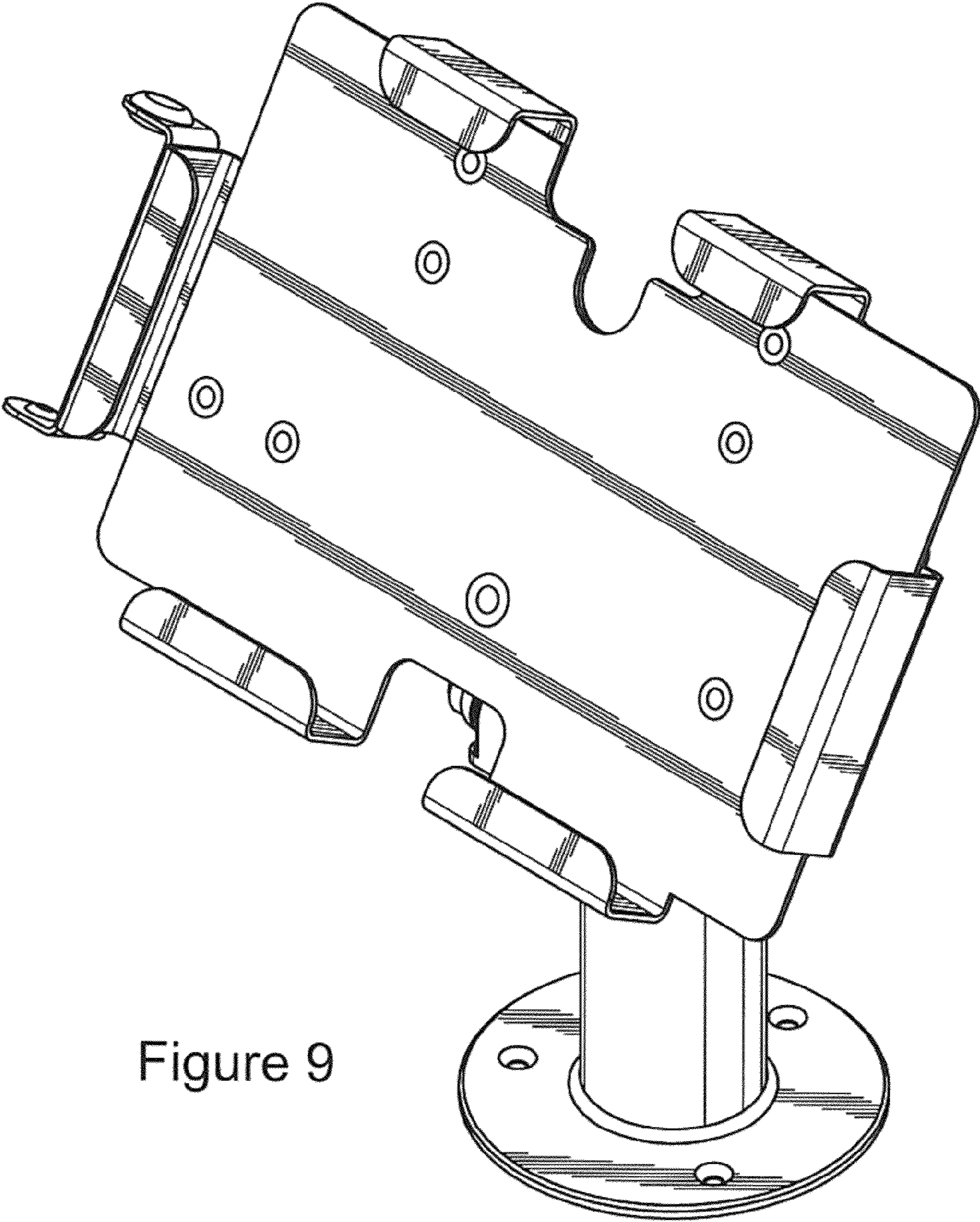


Figure 9

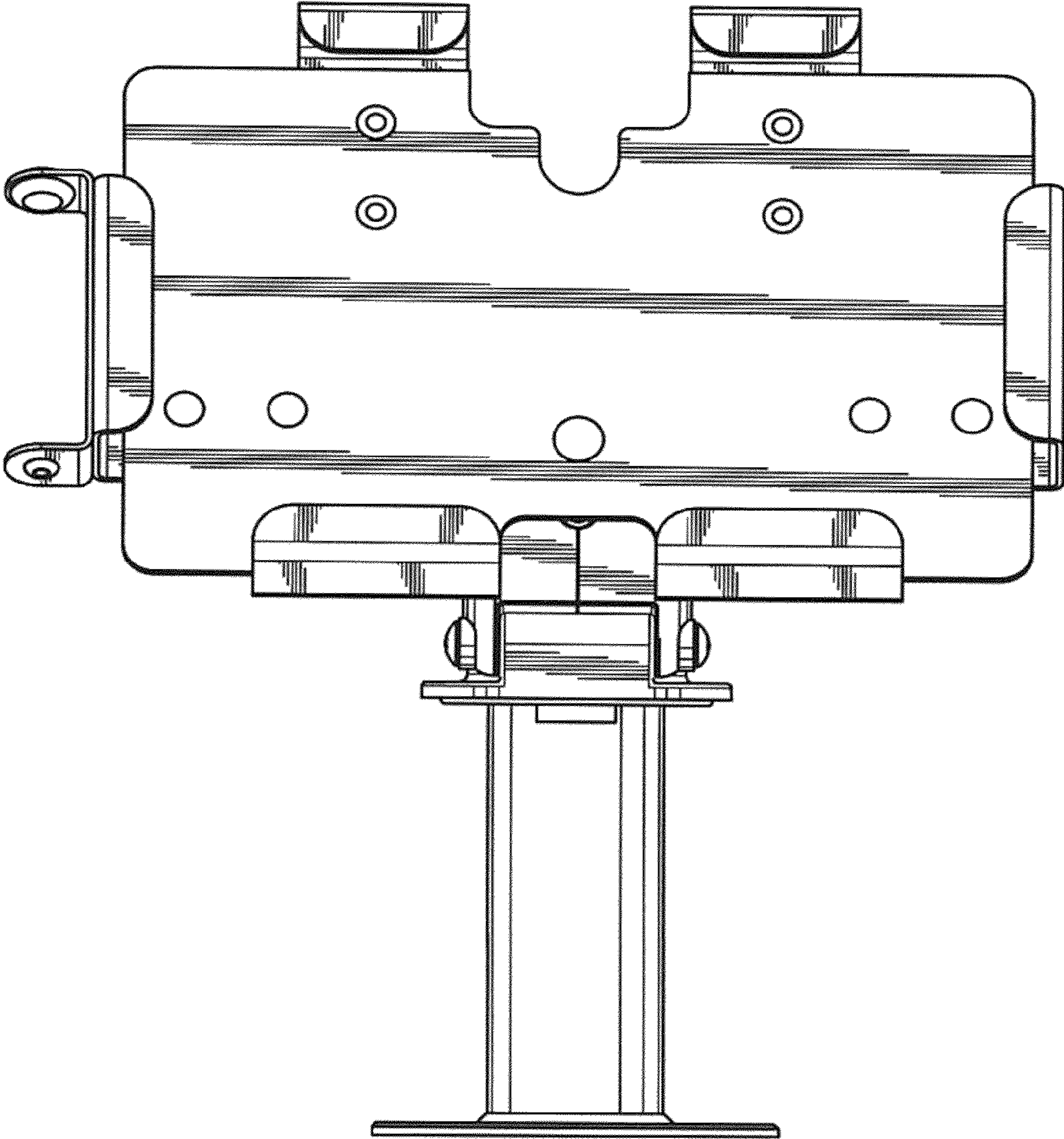


Figure 10

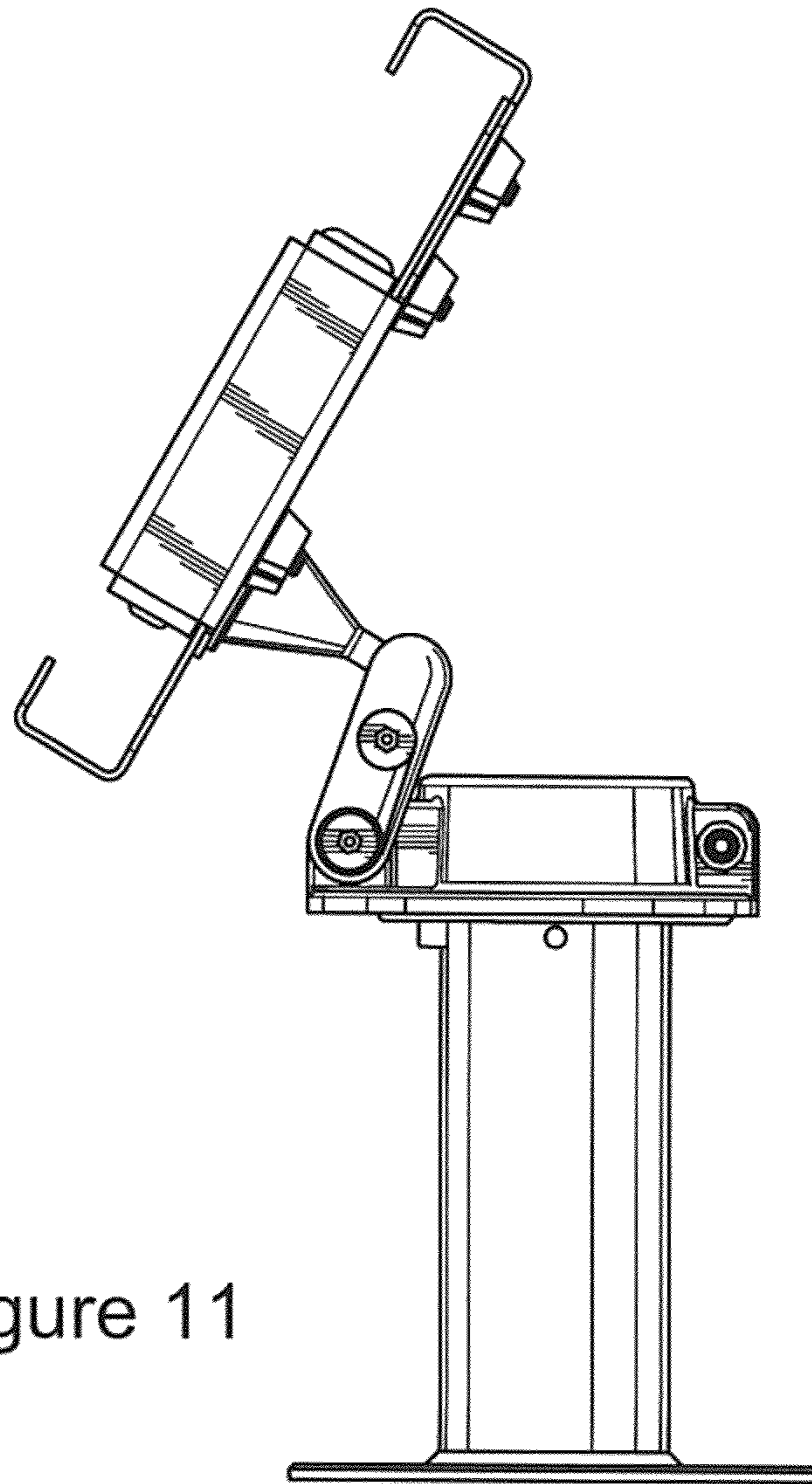


Figure 11

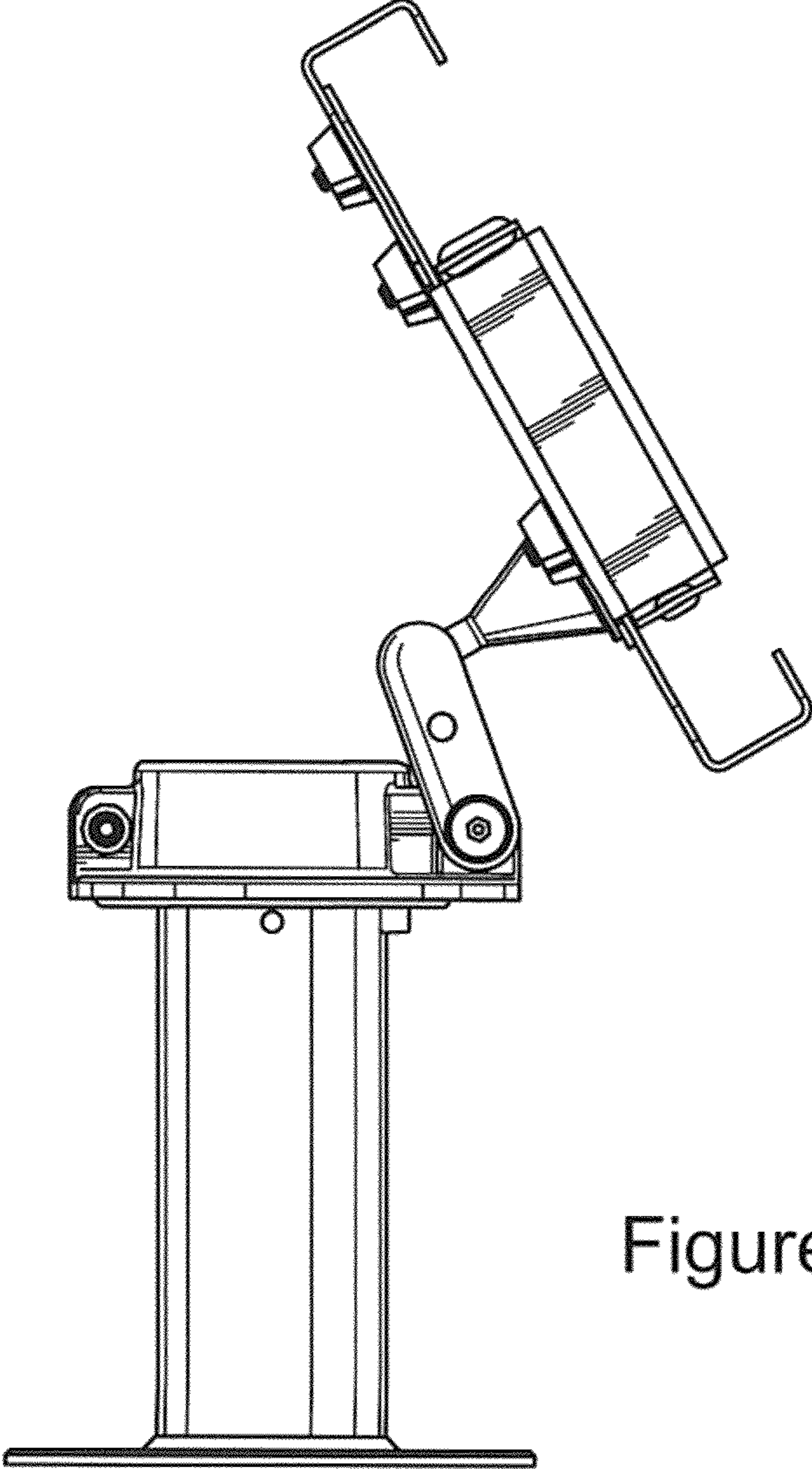


Figure 12

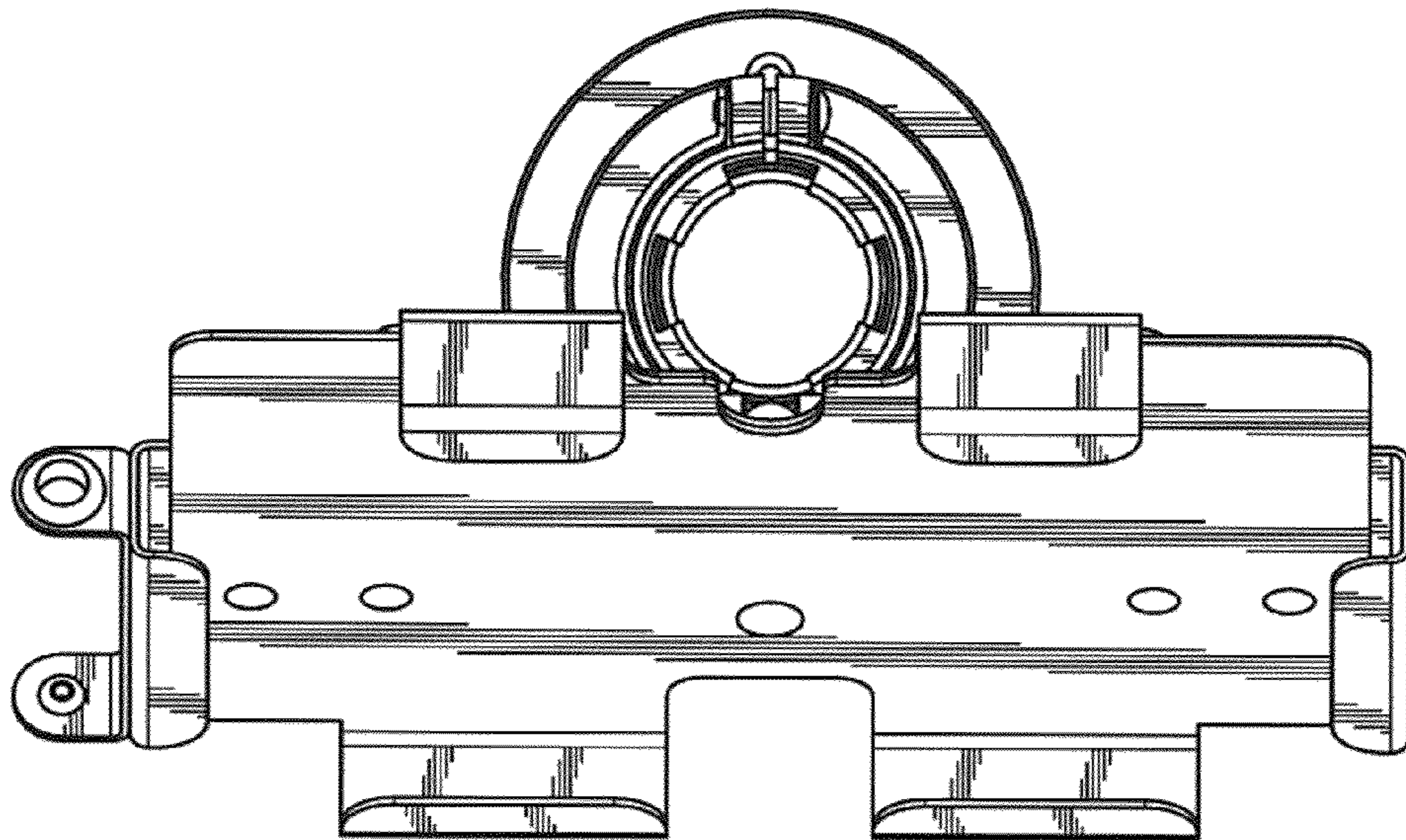


Figure 13

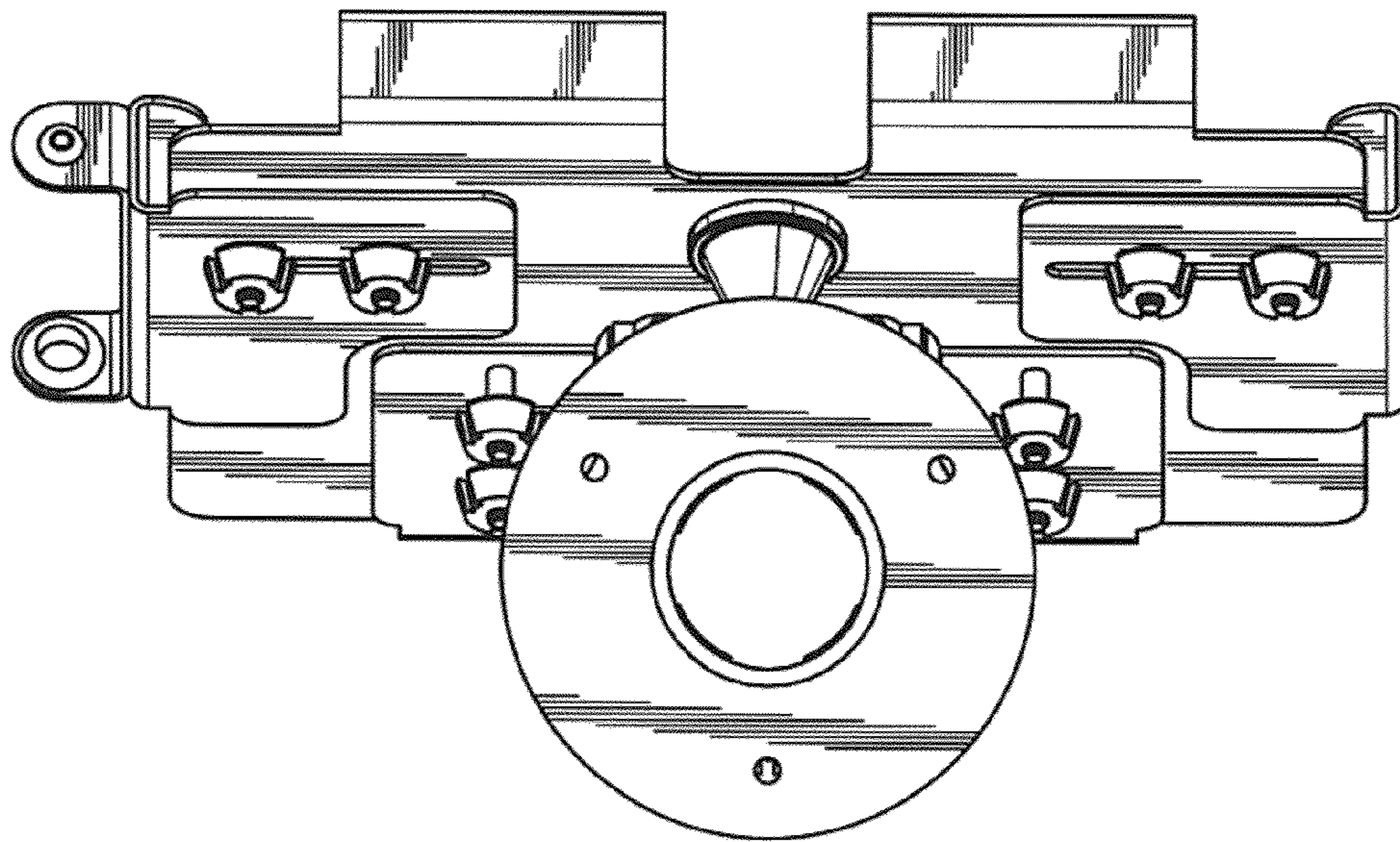


Figure 14



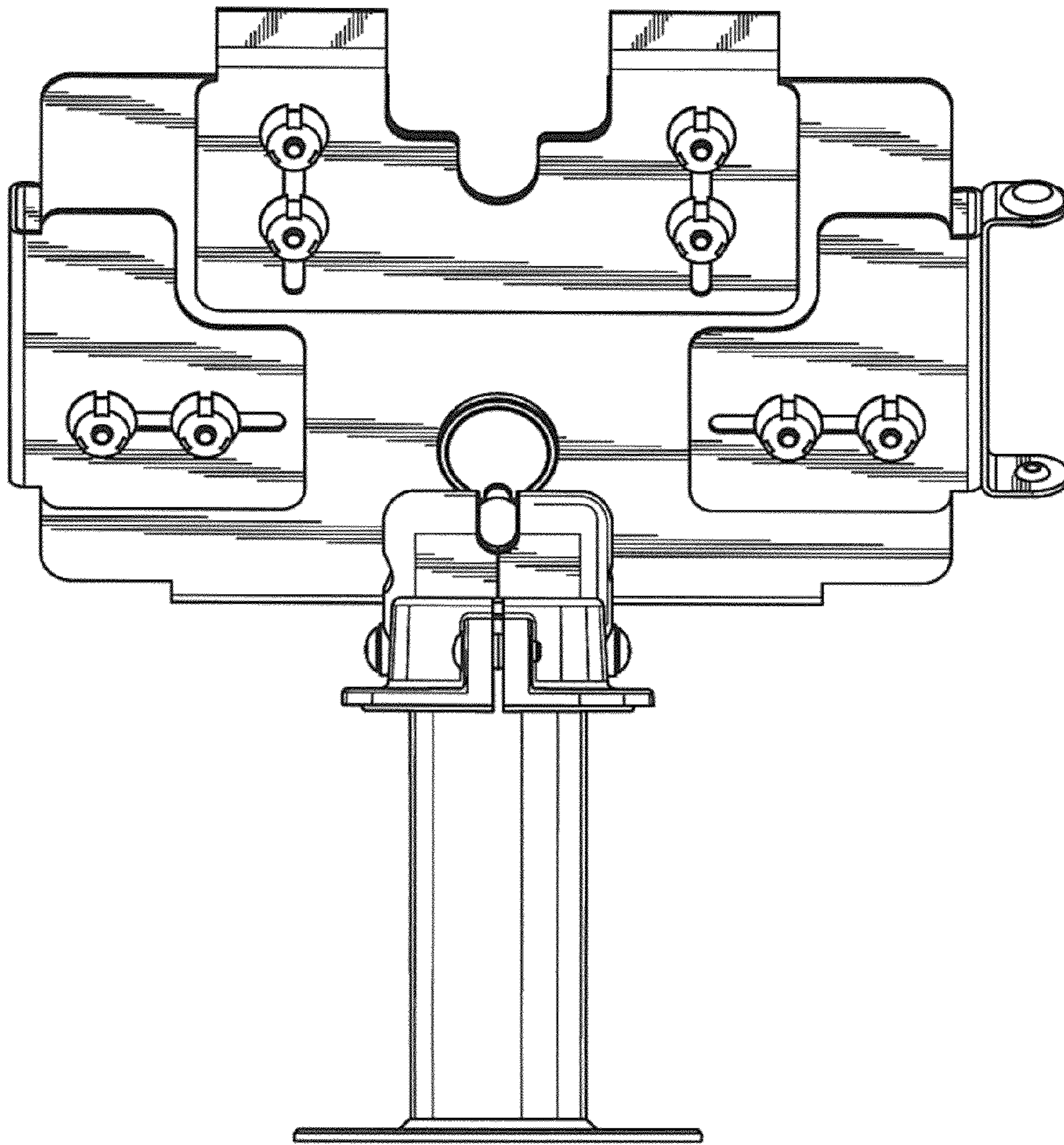


Figure 15

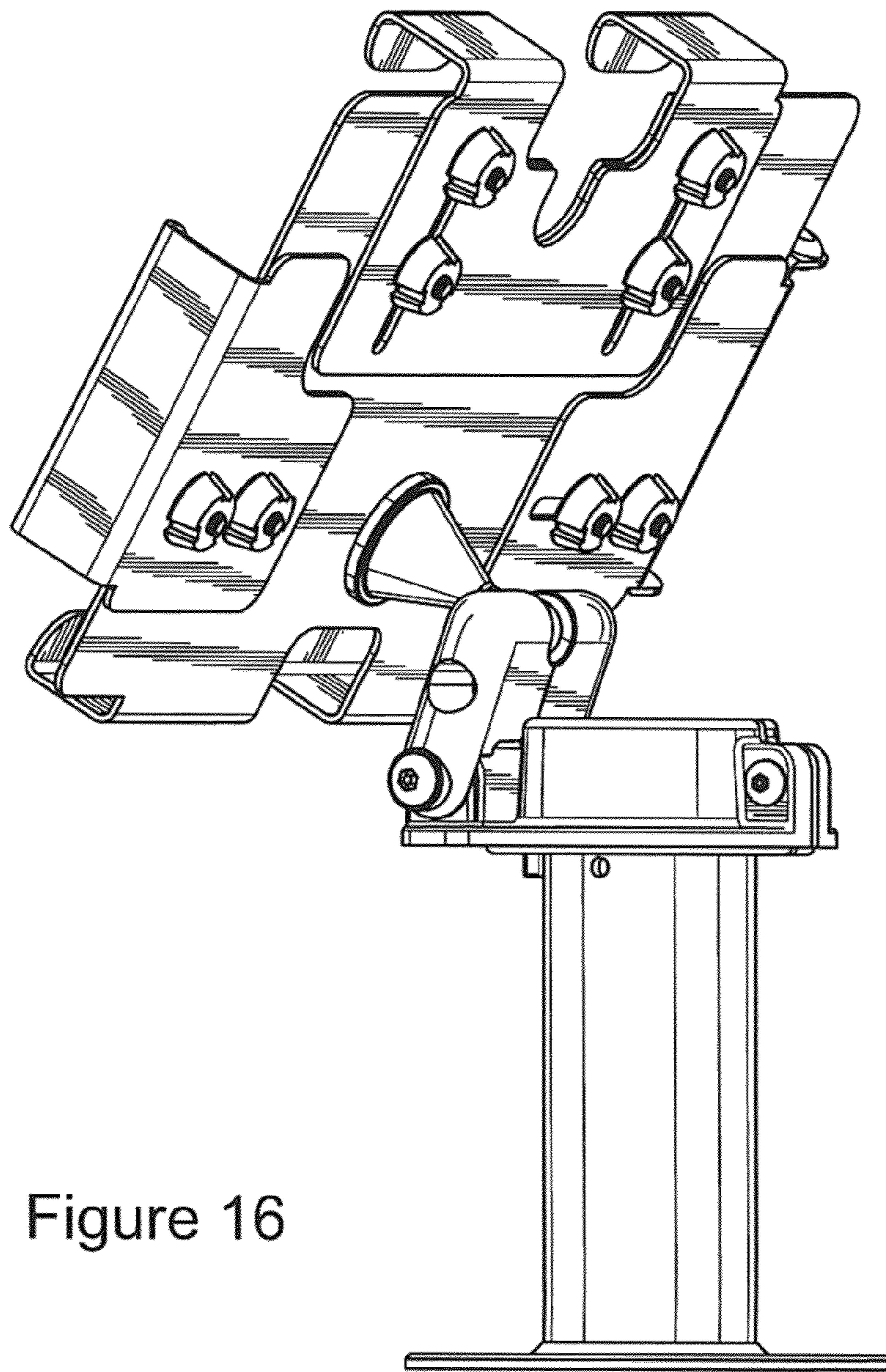


Figure 16