



US00D724597S

(12) **United States Design Patent**
Akana et al.

(10) **Patent No.:** **US D724,597 S**
(45) **Date of Patent:** **** Mar. 17, 2015**

(54) **STAND AND PORTABLE DISPLAY DEVICE**

(71) Applicant: **Apple Inc.**, Cupertino, CA (US)

(72) Inventors: **Jody Akana**, San Francisco, CA (US);
Bartley K. Andre, Menlo Park, CA (US);
Jeremy Bataillou, San Francisco, CA (US);
Daniel J. Coster, San Francisco, CA (US);
Daniele De Iuliis, San Francisco, CA (US);
M. Evans Hankey, San Francisco, CA (US);
Julian Hoenig, San Francisco, CA (US);
Richard P. Howarth, San Francisco, CA (US);
Jonathan P. Ive, San Francisco, CA (US);
Duncan Robert Kerr, San Francisco, CA (US);
Shin Nishibori, Kailua, HI (US);
Matthew Dean Rohrbach, San Francisco, CA (US);
Peter Russell-Clarke, San Francisco, CA (US);
Christopher J. Stringer, Woodside, CA (US);
Eugene Antony Whang, San Francisco, CA (US);
Rico Zorkendorfer, San Francisco, CA (US)

(73) Assignee: **Apple Inc.**, Cupertino, CA (US)

(**) Term: **14 Years**

(21) Appl. No.: **29/440,932**

(22) Filed: **Dec. 28, 2012**

Related U.S. Application Data

(63) Continuation-in-part of application No. 29/391,723, filed on May 12, 2011, now Pat. No. Des. 673,571, and a continuation of application No. 29/392,465, filed on May 20, 2011, now Pat. No. Des. 673,572.

(51) **LOC (10) Cl.** **08-07**

(52) **U.S. Cl.**
USPC **D14/447**

(58) **Field of Classification Search**
USPC D14/447, 432, 434, 433, 439, 440, 448, D14/451, 452, 457, 460, 217, 239, 238.1, D14/250, 251, 253, 203.8, 341; D13/107, D13/108; D3/218; D6/406.1, 406.3, 406.4, D6/406.5, 406.6, 419, 420, 429, 396, 449,

D6/466, 467, 471; 361/679.02, 679.09, 361/679.19, 679.21, 679.22, 679.23, 361/679.26, 679.27, 679.3, 679.55, 679.56, 361/679.6; 248/917-924, 136, 150, 152, 248/153, 371, 166, 176.1, 176.3, 188.6, 248/676, 678, 441.1, 444.1, 447, 447.1, 248/447.2, 451, 454, 455, 456, 460, 463, 248/465.1

See application file for complete search history.

(56) **References Cited**

U.S. PATENT DOCUMENTS

D284,084 S * 6/1986 Ferrara, Jr. D14/389
D295,748 S 5/1988 Day et al.

(Continued)

Primary Examiner — Angela J Lee

(74) *Attorney, Agent, or Firm* — Sterne, Kessler, Goldstein & Fox P.L.L.C.

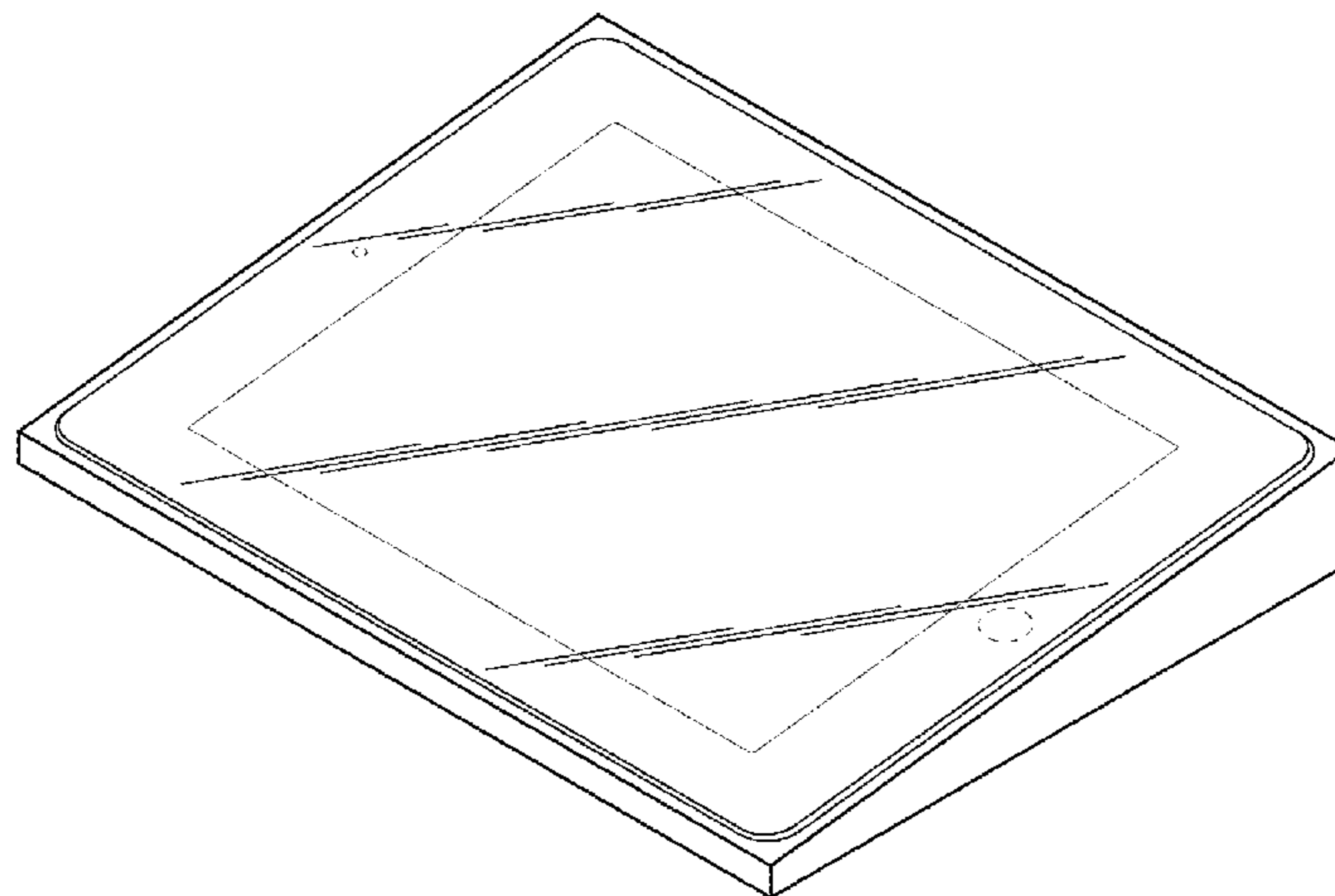
(57) **CLAIM**

The ornamental design for a stand and portable display device, as shown and described.

DESCRIPTION

FIG. 1 is a front perspective view of a stand and portable display device showing our new design; FIG. 2 is a top plan view thereof; FIG. 3 is a bottom plan view thereof; FIG. 4 is a front view thereof; FIG. 5 is a rear view thereof; FIG. 6 is a side profile view thereof taken along the vertical center of FIG. 2; and, FIG. 7 is a side view thereof, the other side view being a mirror image thereof. The shade lines in the Figures show transparency and not surface ornamentation. The broken lines in the Figures show portions of the stand and portable display device which form no part of the claimed design.

1 Claim, 5 Drawing Sheets



(56)

References Cited

U.S. PATENT DOCUMENTS

D318,961 S 8/1991 Edelson
 D337,322 S * 7/1993 Yang D14/389
 D338,685 S 8/1993 Dakich
 D339,537 S 9/1993 Willnauer et al.
 5,280,229 A 1/1994 Faude et al.
 D392,474 S 3/1998 Frasketi
 D392,958 S 3/1998 Gaete
 D414,166 S 9/1999 De Paris
 D442,939 S 5/2001 Goldenburg
 D450,707 S 11/2001 Francavilla et al.
 D483,771 S 12/2003 Esswein
 D488,440 S 4/2004 Senda
 D502,179 S * 2/2005 Cha et al. D14/375
 D527,018 S 8/2006 Christianson
 D543,183 S * 5/2007 Cho et al. D14/138 AA
 D555,655 S * 11/2007 Iu D14/447
 D583,821 S * 12/2008 Richter D14/447
 D587,703 S 3/2009 Yoon
 D596,618 S 7/2009 Zha
 D599,792 S 9/2009 Lin

D618,614 S 6/2010 Symons
 D623,188 S 9/2010 Son et al.
 D626,129 S 10/2010 Lutz
 D627,777 S 11/2010 Akana et al.
 D637,596 S * 5/2011 Akana et al. D14/341
 D637,601 S * 5/2011 Symons D14/447
 D639,267 S * 6/2011 DeLorenzo et al. D14/142
 D642,121 S 7/2011 Lee et al.
 D642,172 S 7/2011 Akana et al.
 D643,433 S 8/2011 Hsieh et al.
 D651,606 S 1/2012 Luijben
 D661,308 S 6/2012 Capozzoli
 D662,100 S 6/2012 Van Den Nieuwenhuizen et al.
 D670,692 S 11/2012 Akana et al.
 D673,571 S * 1/2013 Akana et al. D14/447
 D673,572 S 1/2013 Akana et al.
 D687,441 S * 8/2013 Janzen D14/447
 D688,671 S * 8/2013 Avganim D14/447
 D690,137 S * 9/2013 Kikkert et al. D6/672
 D690,138 S * 9/2013 Kikkert et al. D6/672
 D692,420 S * 10/2013 McManigal et al. D14/341
 D708,270 S * 7/2014 Heirakuji et al. D20/43

* cited by examiner

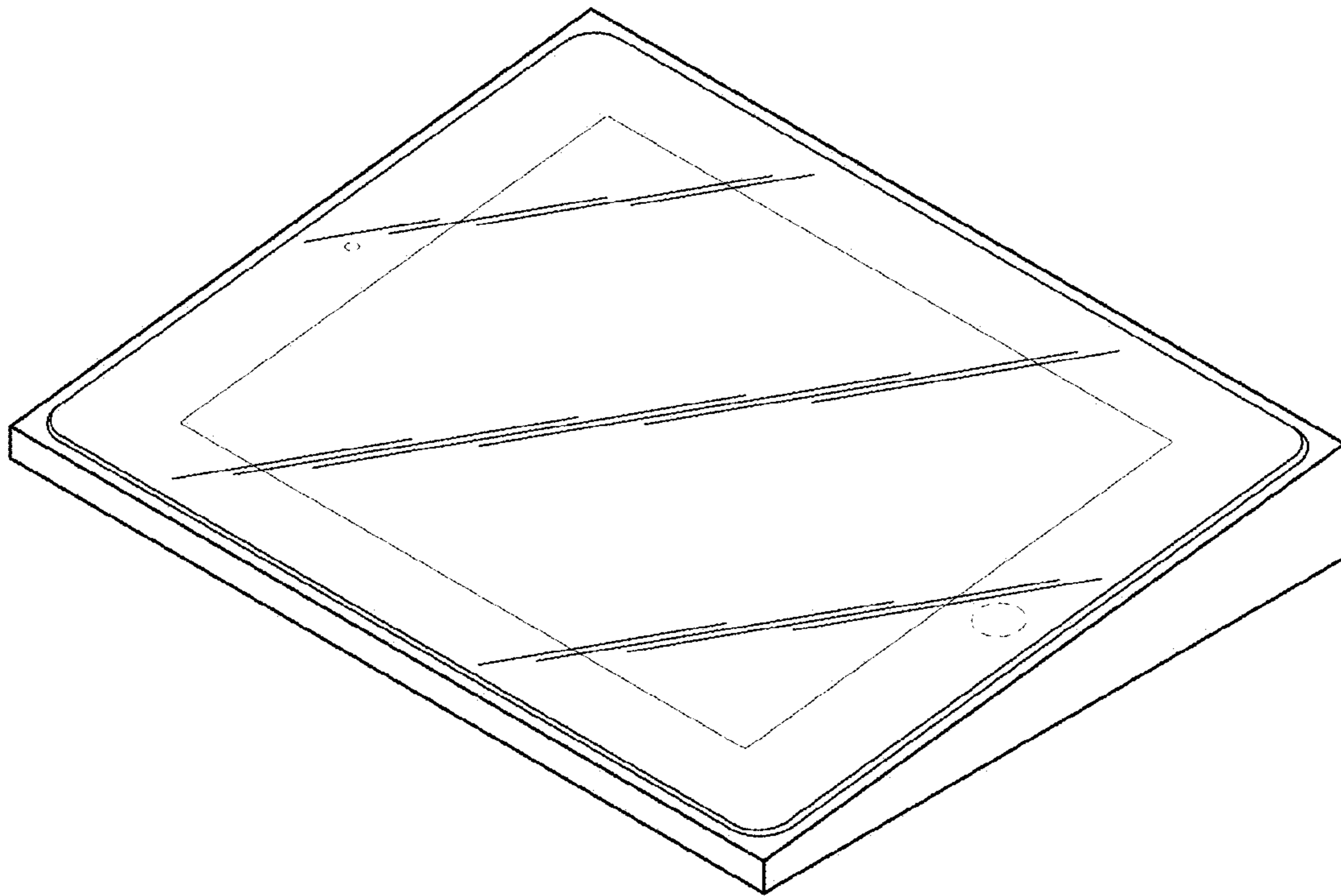


FIG. 1

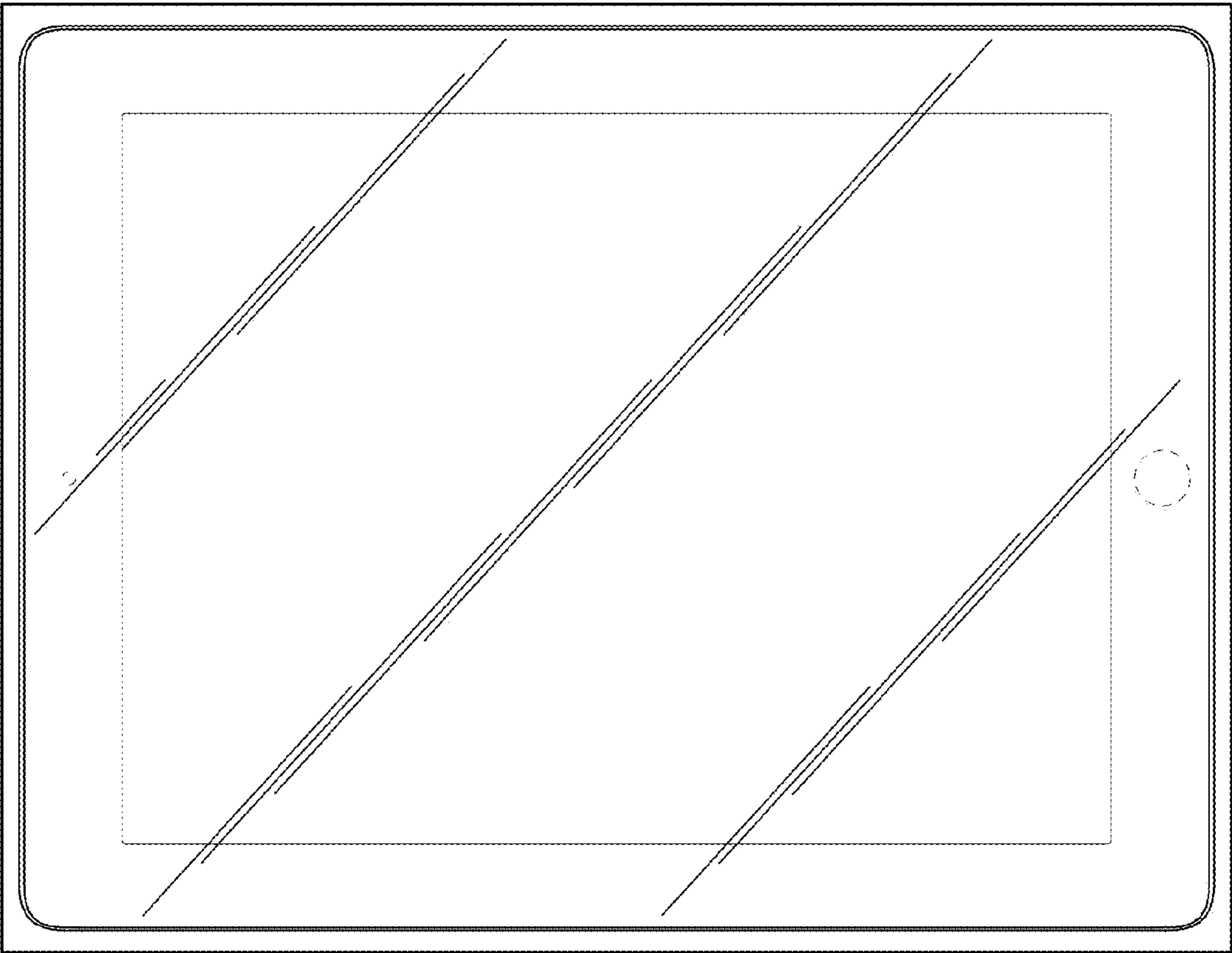


FIG. 2

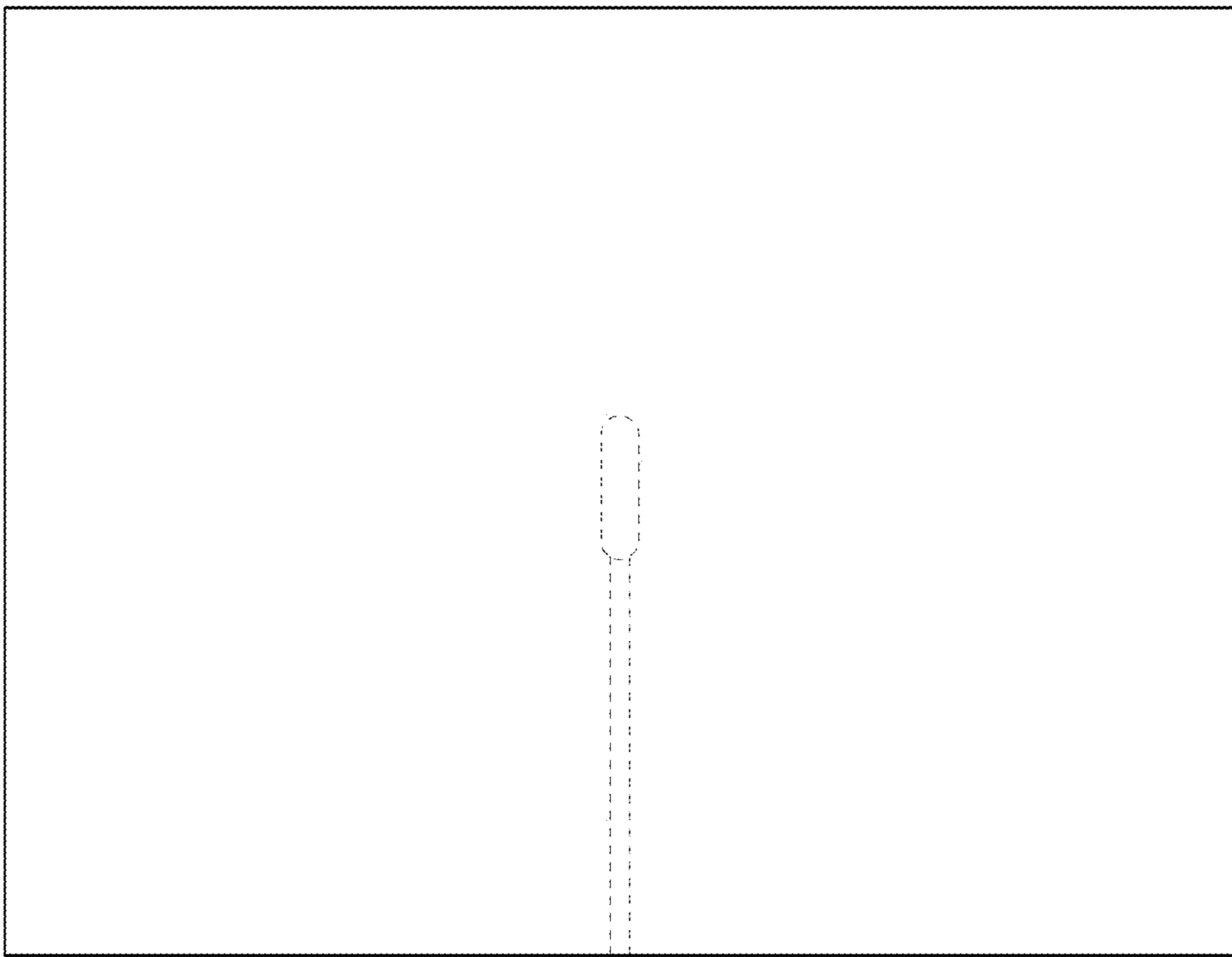


FIG. 3

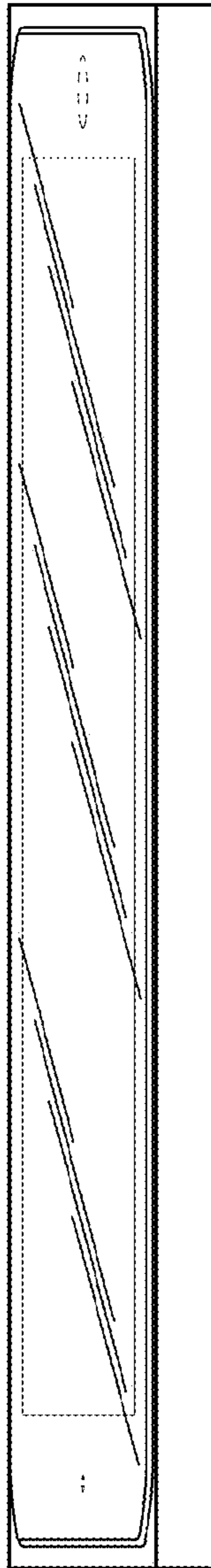


FIG. 4

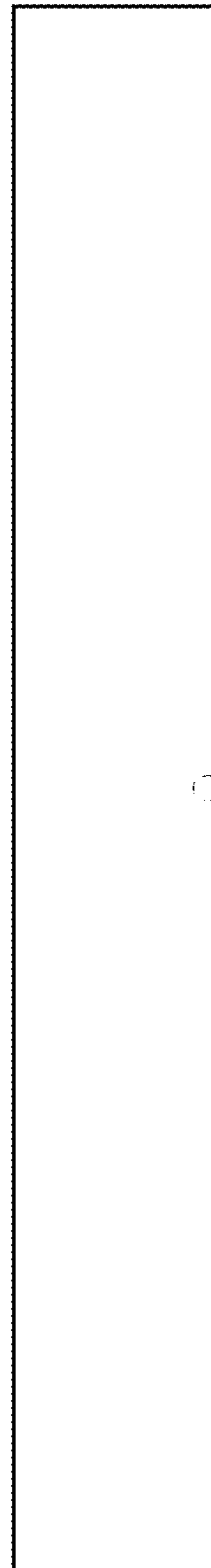


FIG. 5

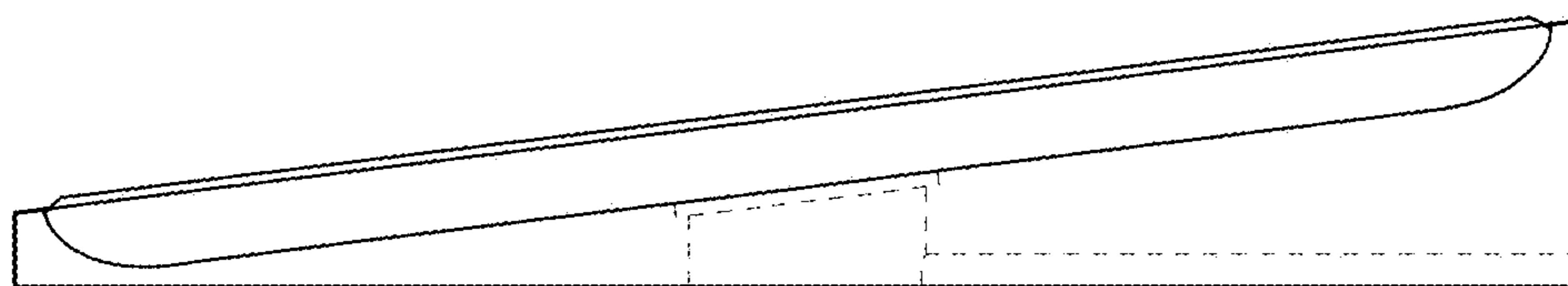


FIG. 6

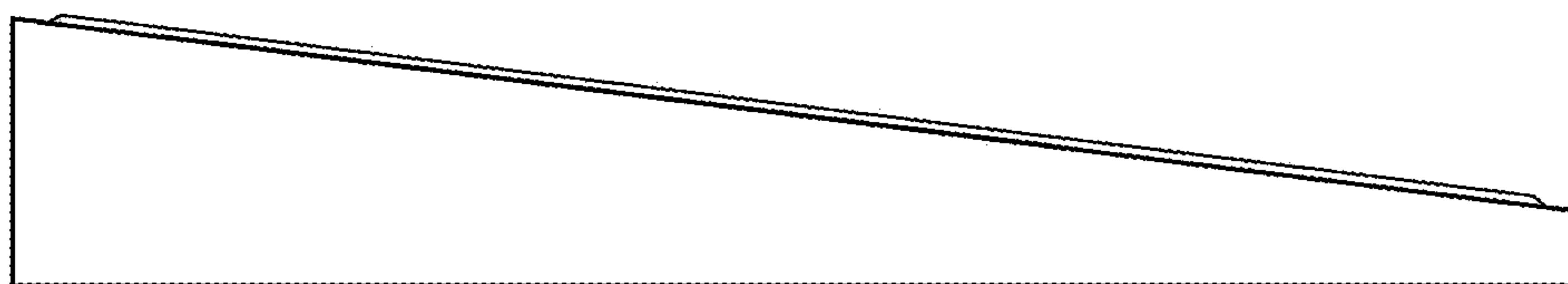


FIG. 7