



US00D724595S

(12) **United States Design Patent**
Sirichai

(10) **Patent No.:** **US D724,595 S**
(45) **Date of Patent:** **** Mar. 17, 2015**

(54) **UNIVERSAL DEVICE-HOLDING
MECHANISM FOR A MOBILE
COMMUNICATIONS DEVICE**

D619,586 S * 7/2010 Richter D14/447
D639,816 S * 6/2011 Bau D14/447
D641,610 S * 7/2011 Sedalo D8/354
D649,185 S * 11/2011 Bakrania D19/26

(Continued)

(71) Applicant: **Saharut Sirichai**, Bangkok (TH)

Primary Examiner — Cynthia Underwood

(72) Inventor: **Saharut Sirichai**, Bangkok (TH)

(73) Assignee: **World Richman Manufacturing Corporation**, Elgin, IL (US)

(57) **CLAIM**

The ornamental design for the universal device-holding mechanism for a mobile communications device, as shown and described.

(**) Term: **14 Years**

DESCRIPTION

(21) Appl. No.: **29/491,346**

(22) Filed: **May 20, 2014**

(51) **LOC (10) Cl.** **14-02**

(52) **U.S. Cl.**
USPC **D14/440**

(58) **Field of Classification Search**

CPC ... G06F 1/1601; G06F 1/1626; G06F 1/1633;
G06F 1/1675; G06F 1/1679; G02F 1/1306;
G02F 1/133; G02F 1/133308; G02F 1/153;
G02F 1/1533; G02F 2001/133317; H04M
1/185; H04M 1/0252; H04B 1/3888
USPC D14/250, 251, 253, 240, 217, 496, 440,
D14/203.3, 203.4, 203.5, 203.8, 341, 318;
D3/218, 215, 201, 294, 289, 900;
220/4.02; 248/309.1; 361/679.56;
379/426, 433.11, 455; 455/575.1,
455/575.8, 457.1; 190/100; 206/305, 320,
206/45.2; D21/469; 312/240

See application file for complete search history.

FIG. 1 is an anterior plan view of the universal device-holding mechanism for a mobile communications device.

FIG. 2 is a posterior plan view of the universal device-holding mechanism for a mobile communications device, shown reduced in scale.

FIG. 3 is a bottom edge view of the universal device-holding mechanism for a mobile communications device, shown reduced in scale.

FIG. 4 is a first lateral edge view of the universal device-holding mechanism for a mobile communications device, shown reduced in scale.

FIG. 5 is a top edge view of the universal device-holding mechanism for a mobile communications device, shown reduced in scale.

FIG. 6 is a second lateral edge view of the universal device-holding mechanism for a mobile communications device, shown reduced in scale.

FIG. 7 is an anterior perspective view of the universal device-holding mechanism for a mobile communications device.

FIG. 8 is a posterior perspective view of the universal device-holding mechanism for a mobile communications device.

FIG. 9 is an anterior perspective view of the universal device-holding mechanism for a mobile communications device shown in a first condition of use; and,

FIG. 10 is an anterior perspective view of the universal device-holding mechanism for a mobile communications device shown in a second condition of use.

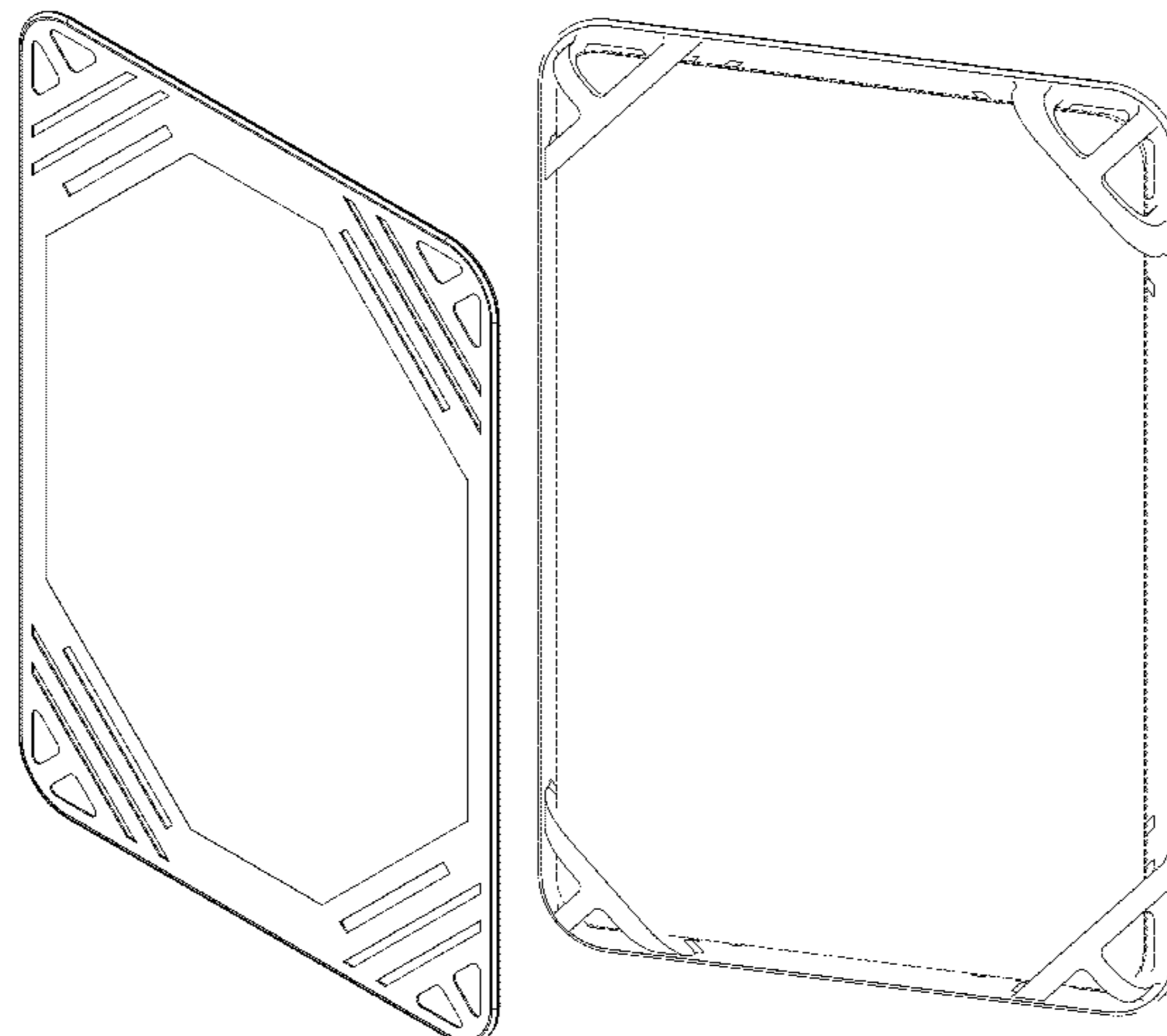
The broken lines in FIGS. 9 and 10 are included for the purpose of illustrating generic devices held by the device-holding mechanism and form no part of the claimed design.

(56) **References Cited**

U.S. PATENT DOCUMENTS

D118,197 S * 12/1939 Trussel D19/26
D323,348 S * 1/1992 Tooker D19/26
D374,037 S * 9/1996 Wyant et al. D19/26
D449,166 S * 10/2001 Shapiro D3/303
D551,847 S * 10/2007 Yeap et al. D3/201
D592,188 S * 5/2009 Huang D14/217
D600,699 S * 9/2009 Johnston et al. D14/440

1 Claim, 6 Drawing Sheets



(56)

References Cited

U.S. PATENT DOCUMENTS

D660,305 S * 5/2012 Ho et al. D14/447
D662,925 S * 7/2012 Mayberry et al. D14/250
D672,353 S * 12/2012 Liu 206/472
D673,960 S * 1/2013 Lindfield et al. D14/447
D674,799 S * 1/2013 Kim D14/440
D674,803 S * 1/2013 Westrup D14/440
D674,804 S * 1/2013 Cote D14/447

D676,050 S * 2/2013 Sanz D14/440
D678,884 S * 3/2013 Phillips et al. D14/440
D682,281 S * 5/2013 Barnard et al. D14/447
D684,978 S * 6/2013 Phillips et al. D14/440
D685,376 S * 7/2013 Kim D14/439
D686,629 S * 7/2013 Trinh et al. D14/447
D688,250 S * 8/2013 Phillips et al. D14/440
D689,502 S * 9/2013 Belitz et al. D14/447
2003/0222149 A1* 12/2003 Solomon et al. 235/472.01
2012/0091312 A1* 4/2012 Baker 248/682

* cited by examiner

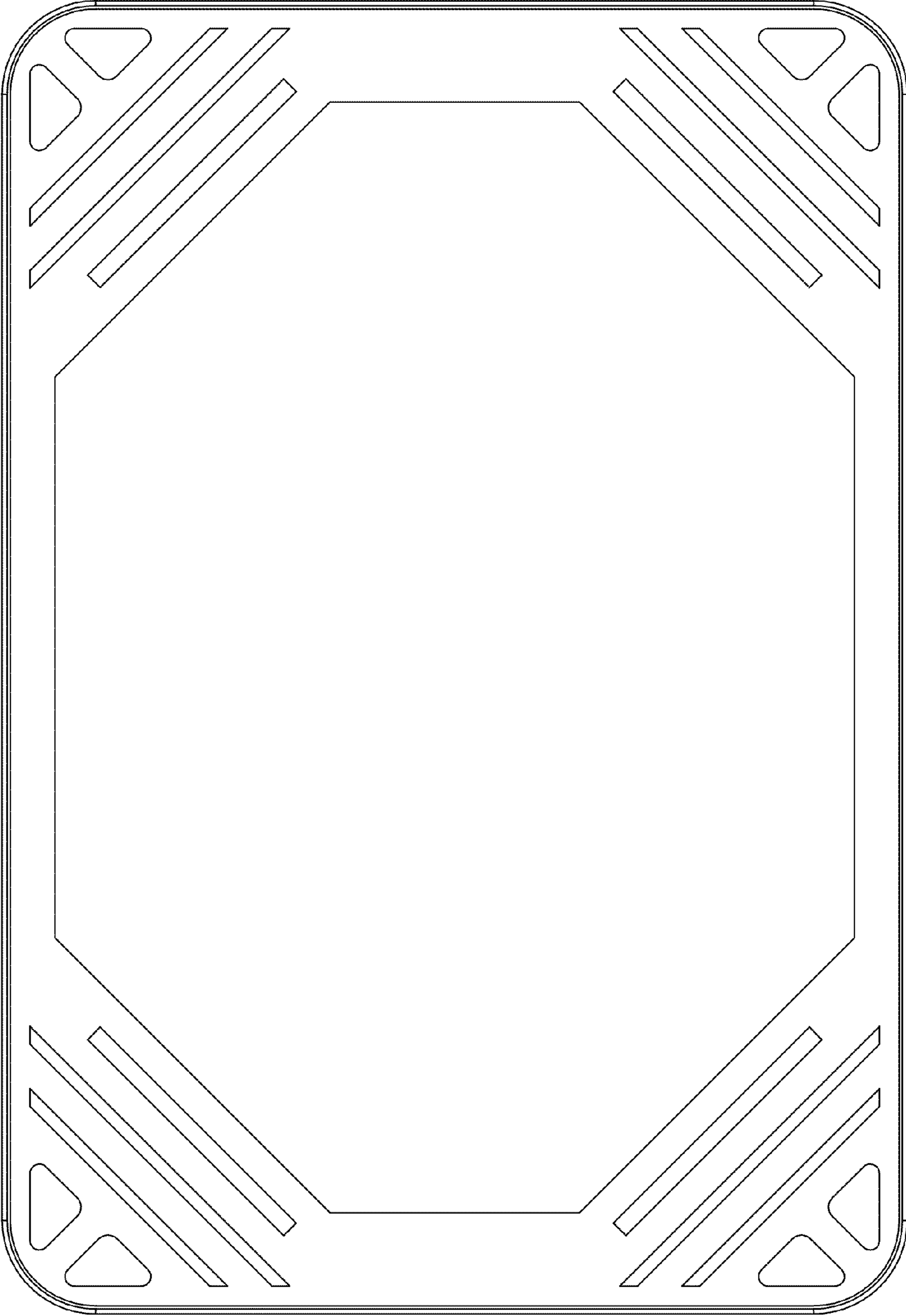


FIG. 1



FIG. 5



FIG. 2



FIG. 3



FIG. 4



FIG. 6

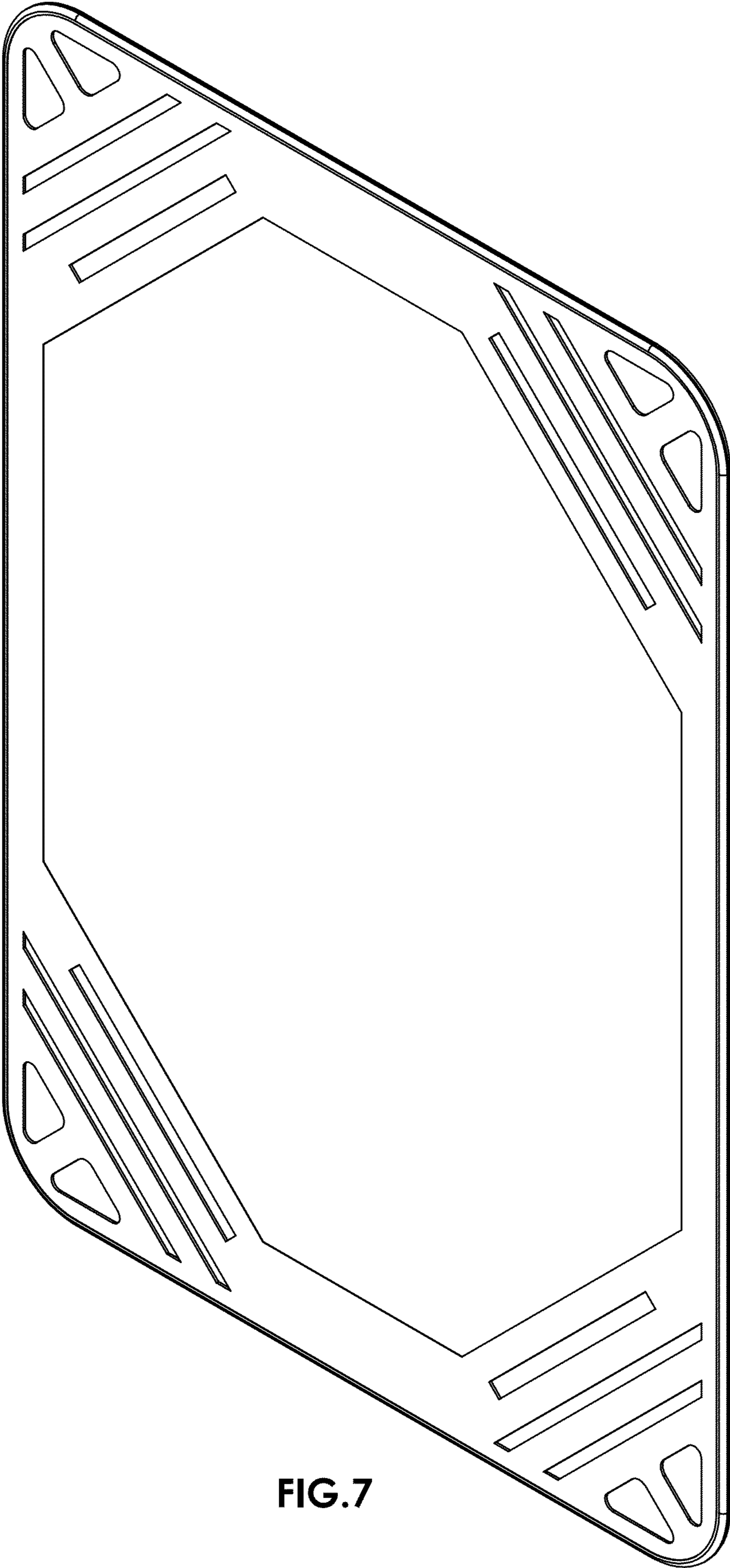


FIG.7

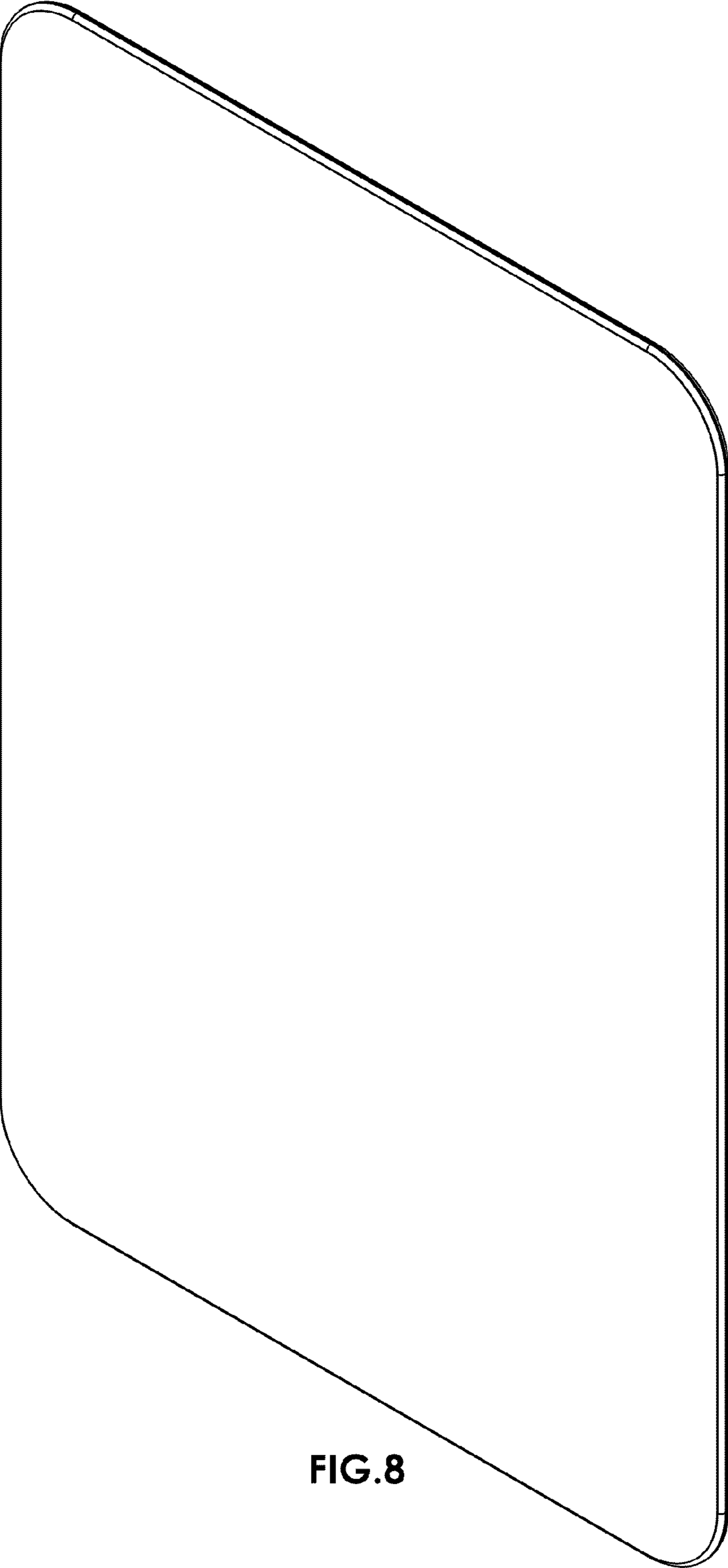


FIG.8

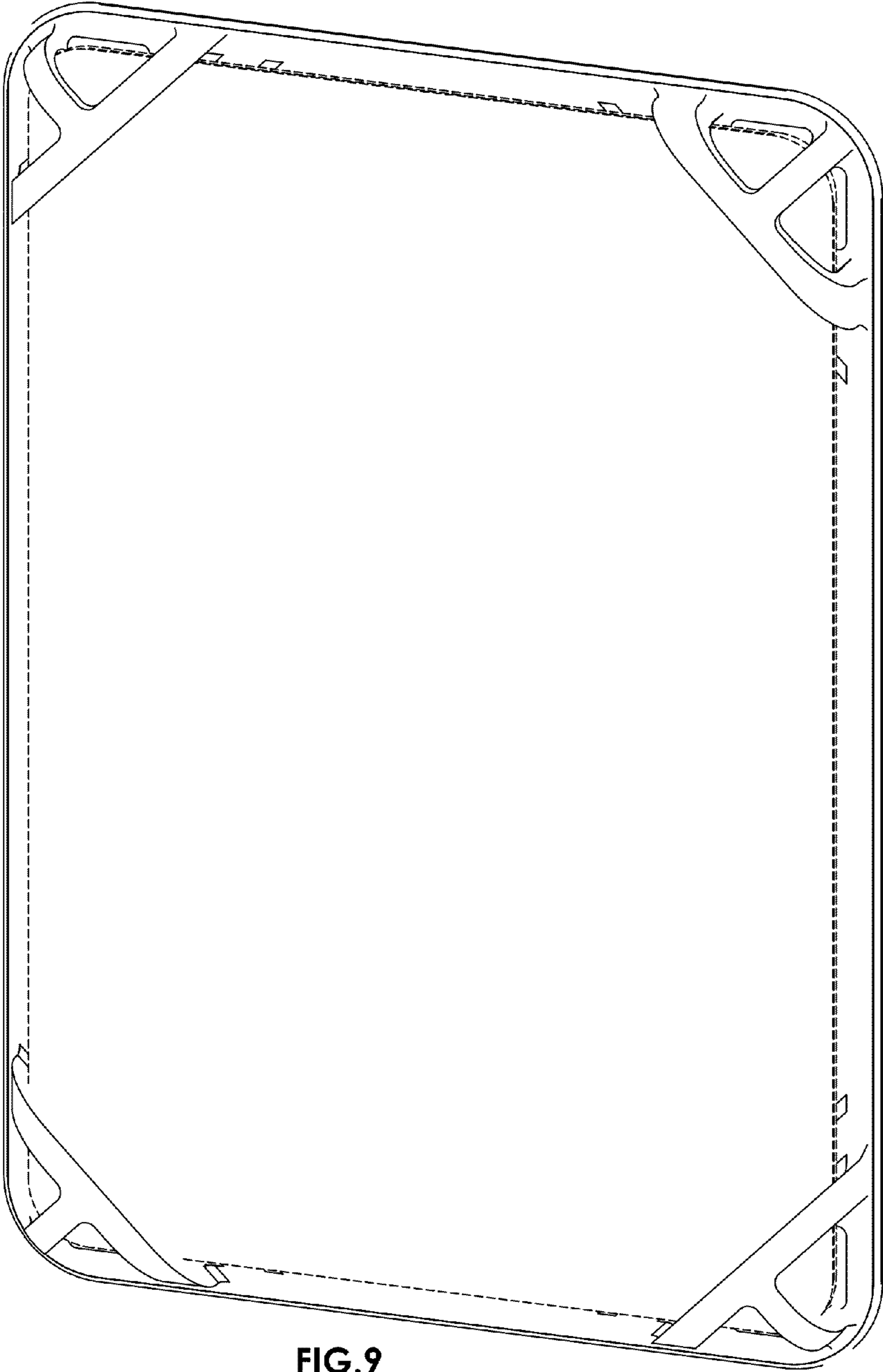


FIG. 9

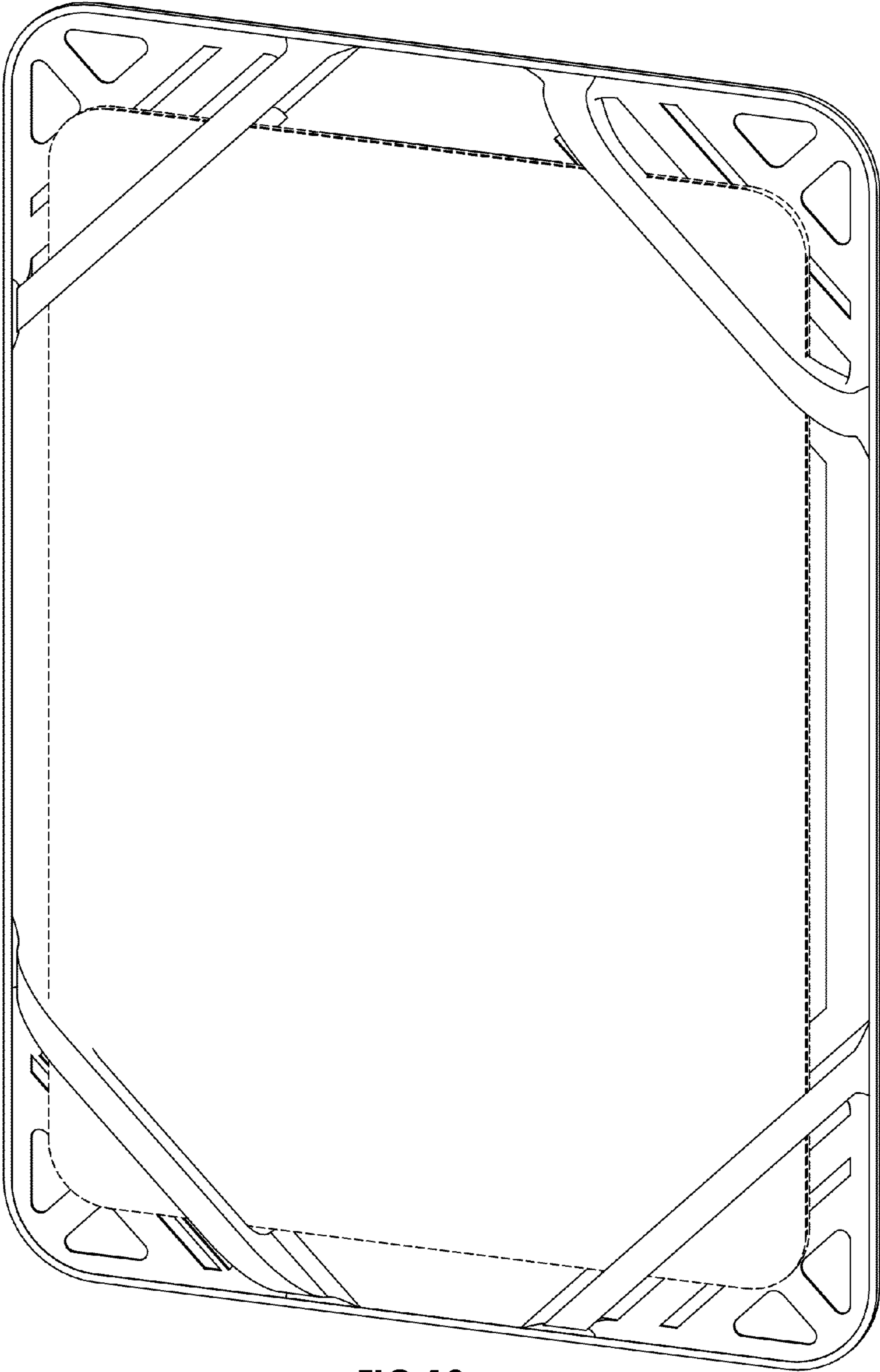


FIG.10