



US00D724594S

(12) **United States Design Patent**
Venida et al.

(10) **Patent No.:** **US D724,594 S**
(45) **Date of Patent:** **** Mar. 17, 2015**

(54) **PORTABLE ELECTRONIC DEVICE CASE**

(71) Applicant: **ACCO Brands Corporation**, Lake Zurich, IL (US)

(72) Inventors: **A. John Venida**, San Francisco, CA (US); **Wilson Shu Chiu Tse**, Burnaby (CA); **Jonathan Stacey**, Vancouver (CA)

(73) Assignee: **ACCO Brands Corporation**, Lake Zurich, IL (US)

(**) Term: **14 Years**

(21) Appl. No.: **29/470,210**

(22) Filed: **Oct. 18, 2013**

(51) **LOC (10) Cl.** **14-02**

(52) **U.S. Cl.**
USPC **D14/440**

(58) **Field of Classification Search**

CPC ... G06F 1/1601; G06F 1/1626; G06F 1/1633; G06F 1/1675; G06F 1/1679; G02F 1/1306; G02F 1/133; G02F 1/133308; G02F 1/153; G02F 1/1533; G02F 2001/13317; H04M 1/185; H04M 1/0252; H04B 1/3888
USPC D14/250, 251, 253, 240, 217, 496, 440, D14/203.3, 203.4, 203.5, 203.8, 341, 318; D3/218, 215, 201, 294, 289, 900; 220/4.02; 248/309.1; 361/679.56; 379/426, 433.11, 455; 455/575.1, 455/575.8, 457.1; 190/100; 206/305, 320, 206/45.2; D21/469; 312/240

See application file for complete search history.

(56) **References Cited**

U.S. PATENT DOCUMENTS

D36,329 S * 5/1903 Sackman D5/53
D624,067 S * 9/2010 Peng D14/315
D644,215 S * 8/2011 Dong D14/250
D648,332 S * 11/2011 Kim et al. D14/248
D674,792 S * 1/2013 Magness D14/250
D681,622 S * 5/2013 Melanson et al. D14/250
D685,357 S * 7/2013 Rekuc et al. D14/250

D691,142 S * 10/2013 Diebel D14/440
D693,823 S * 11/2013 Chen et al. D14/440
D706,272 S * 6/2014 Poon D14/440
D711,362 S * 8/2014 Poon D14/250
D713,832 S * 9/2014 Fathollahi D14/250
2010/0008028 A1* 1/2010 Richardson et al. 361/679.01

OTHER PUBLICATIONS

Ballistic, "New iPad and iPad2 Ballistic Tough Jacket Series Case" <<http://www.goballisticcase.com/products/new-ipad-and-ipad-2-ballistic-tough-jacket-series-case>> website available as early as Mar. 12, 2012.

Griffin, "Survivor for iPad 2, iPad 3, and iPad (4th gen)" <<http://store.griffintechology.com/survivor-for-ipad-2-3-4th-gen>> website available as early as Jul. 22, 2013.

Comm-Co Webshop, "iPad 2 Rugged Military Grade Case" <<http://www.comm-co.com/store/ipad-2-rugged-military-grade-case.html>> website available as early as Jul. 22, 2013.

* cited by examiner

Primary Examiner — Cynthia Underwood

(74) *Attorney, Agent, or Firm* — Michael Best & Friedrich LLP

(57) **CLAIM**

We claim the ornamental design for a portable electronic device case, as shown and described.

DESCRIPTION

FIG. 1 is a rear perspective view of a portable electronic device case according to the present invention;

FIG. 2 is a rear plan view of the portable electronic device case shown in FIG. 1.

FIG. 3 is a front plan view of the portable electronic device case shown in FIG. 1.

FIG. 4 is a first side view of the portable electronic device case shown in FIG. 1.

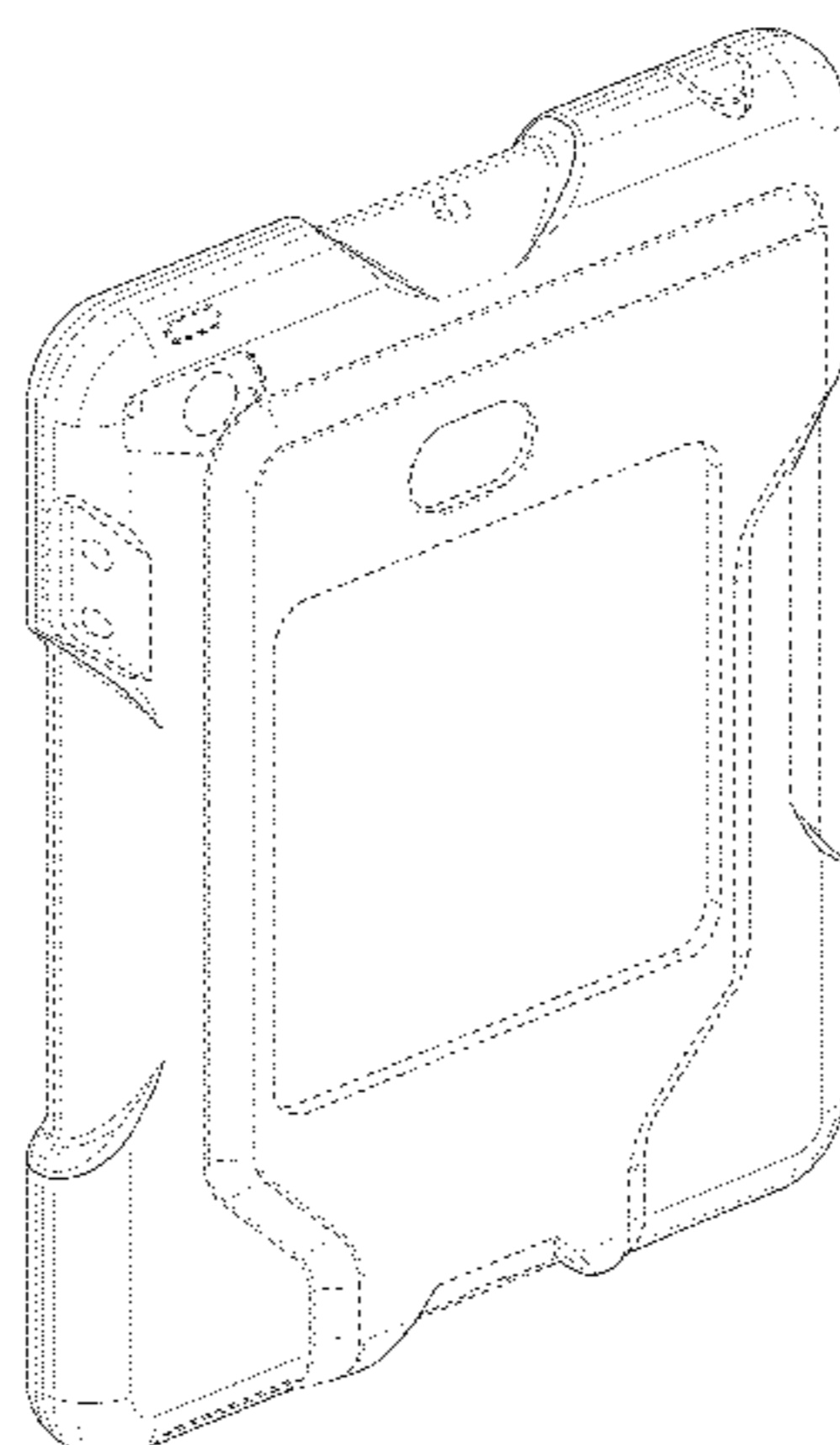
FIG. 5 is a second side view of the portable electronic device case shown in FIG. 1.

FIG. 6 is a top view of the portable electronic device case shown in FIG. 1; and,

FIG. 7 is a bottom view of the portable electronic device case shown in FIG. 1.

Portions of the electronic device case shown in broken lines form no part of the claimed design.

1 Claim, 5 Drawing Sheets



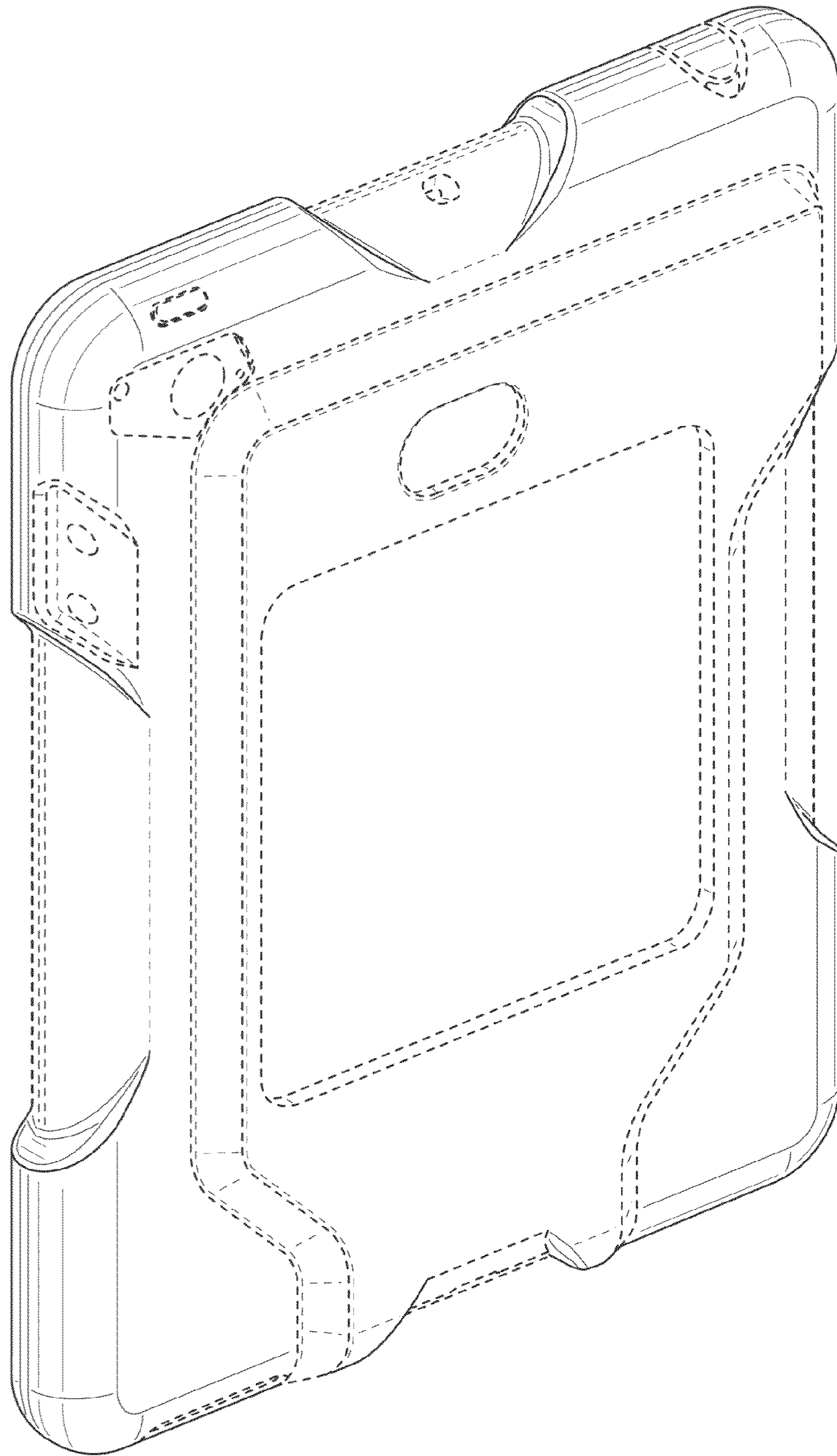


FIG. 1

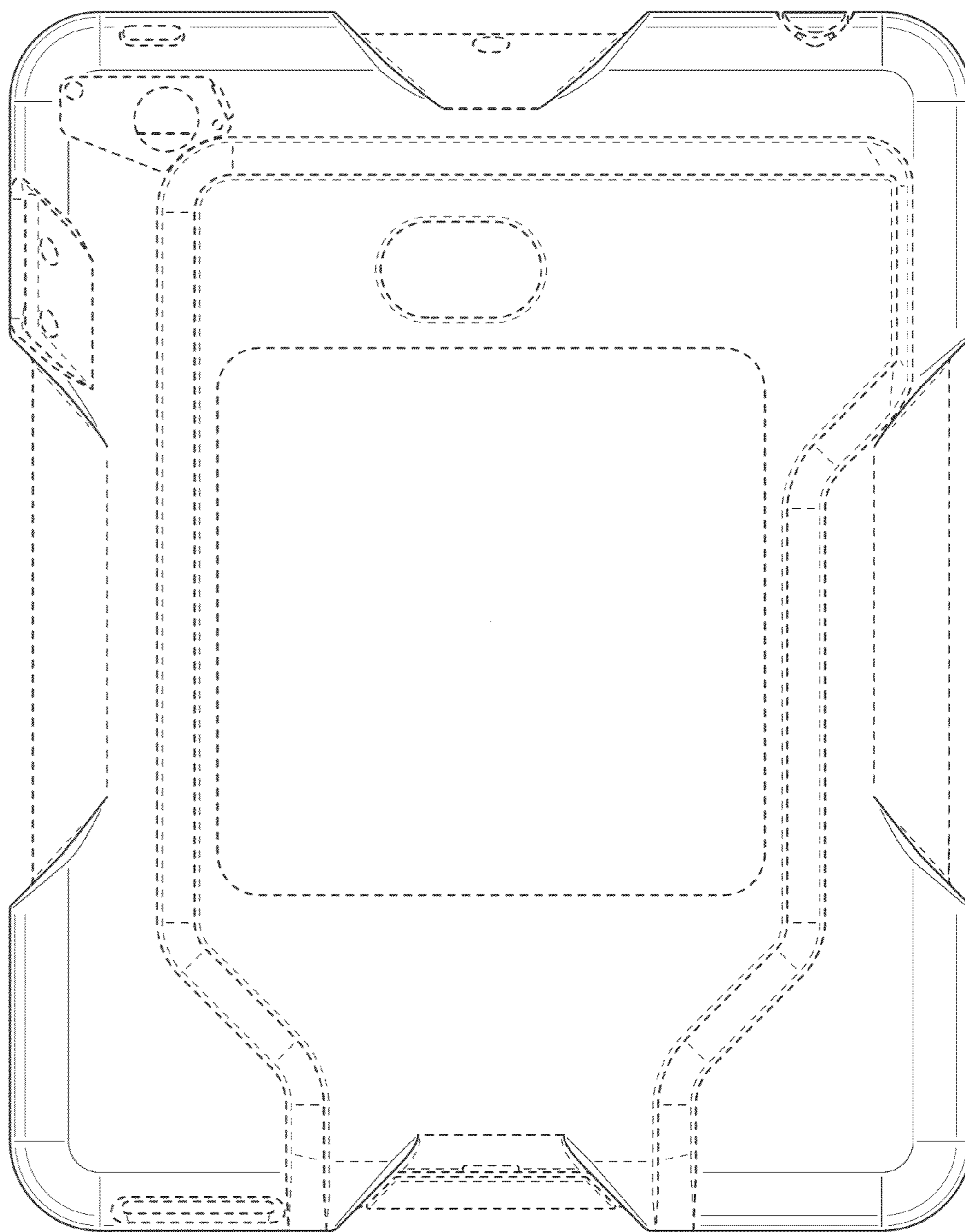


FIG. 2

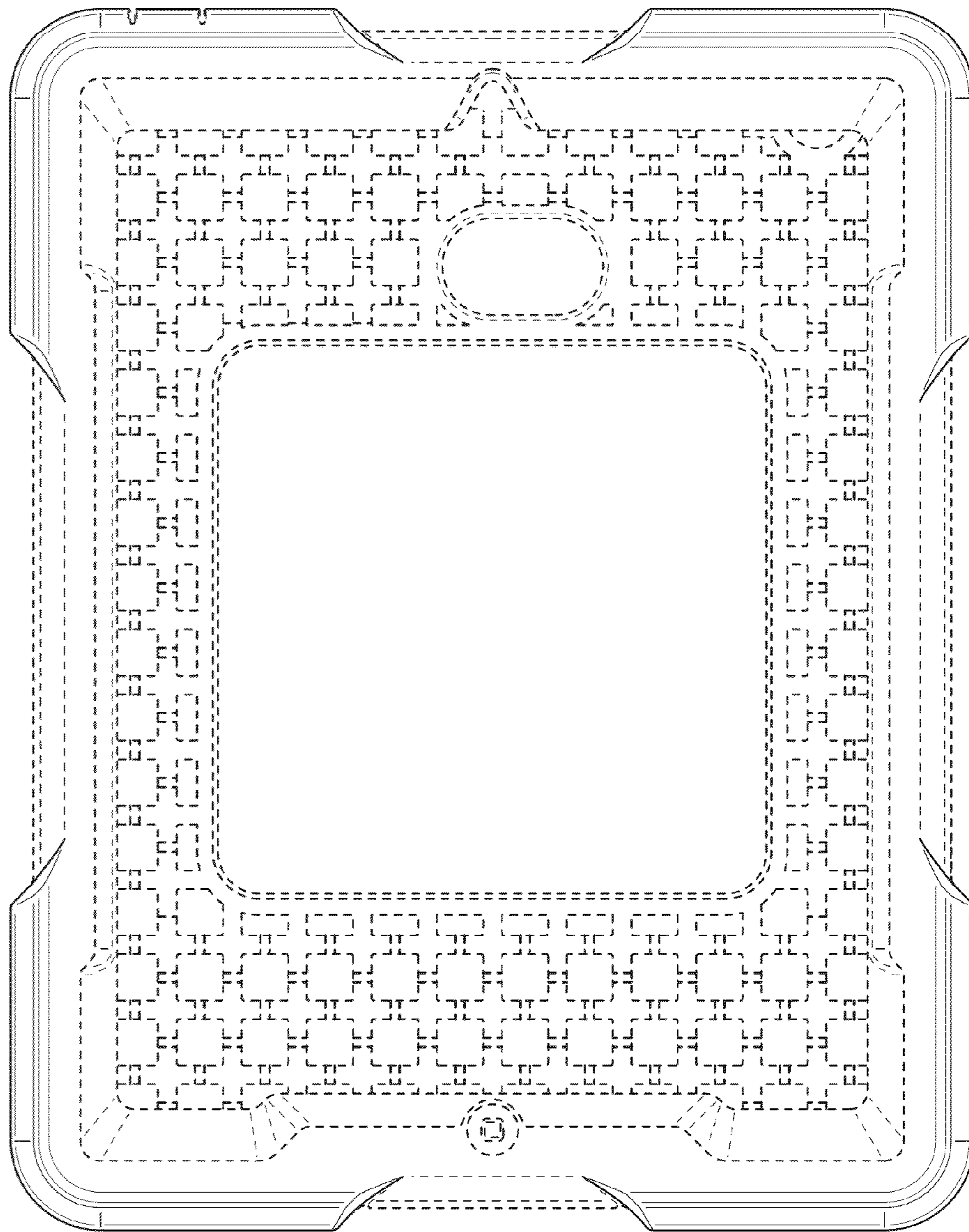


FIG. 3

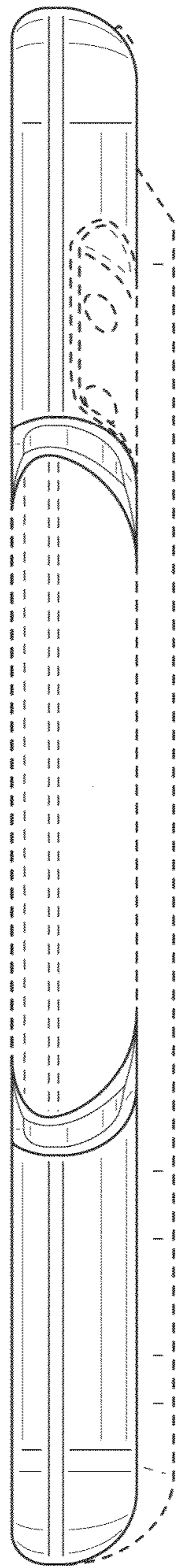


FIG. 4

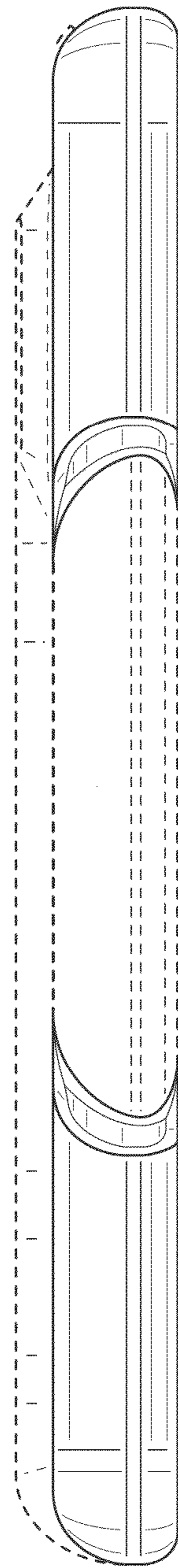


FIG. 5

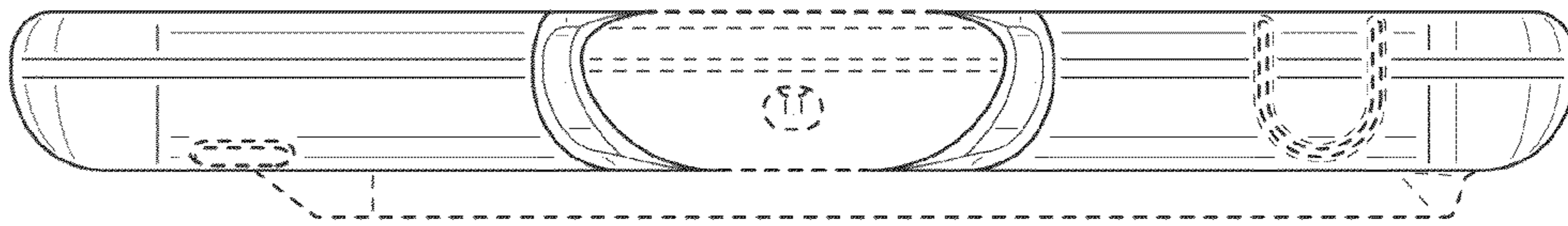


FIG. 6

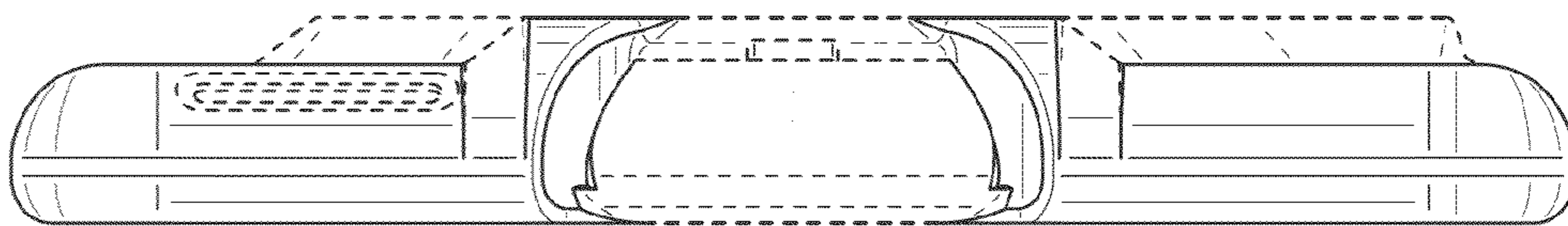


FIG. 7