



US00D724593S

(12) **United States Design Patent**
Cohen

(10) **Patent No.:** **US D724,593 S**
(45) **Date of Patent:** **** Mar. 17, 2015**

(54) **MOBILE DEVICE CASE**

(71) Applicant: **CellNorth Electronics, Corp.**, Dallas, TX (US)

(72) Inventor: **Gregg A. Cohen**, Dallas, TX (US)

(73) Assignee: **CellNorth Electronics Corp.**, Dallas, TX (US)

(**) Term: **14 Years**

(21) Appl. No.: **29/468,748**

(22) Filed: **Oct. 2, 2013**

(51) **LOC (10) Cl.** **14-02**

(52) **U.S. Cl.**
USPC **D14/440**

(58) **Field of Classification Search**

CPC .. H04W 64/00; H04W 4/02; H04L 29/08657;
G01S 5/0252; G01S 5/02; H04M 1/0214;
H04M 1/0216; H04M 1/23; H04M 1/0245;
H04M 1/0247; H04M 1/0237; H04B 1/3833
USPC D14/203.3–203.8, 217, 238.1, 240,
D14/250–253, 300, 341, 432, 439, 440, 447,
D14/496; D3/201, 218, 269, 273, 303;
D16/219; 455/456.1, 575.1, 575.3,
455/575.8

See application file for complete search history.

(56) **References Cited**

U.S. PATENT DOCUMENTS

D549,449 S * 8/2007 Malhotra D3/218
D559,532 S * 1/2008 Kwak et al. D3/218

(Continued)

Primary Examiner — Stella Reid

Assistant Examiner — Holly E Thurman

(74) *Attorney, Agent, or Firm* — Harper Washam LLP;
Steven H. Washam

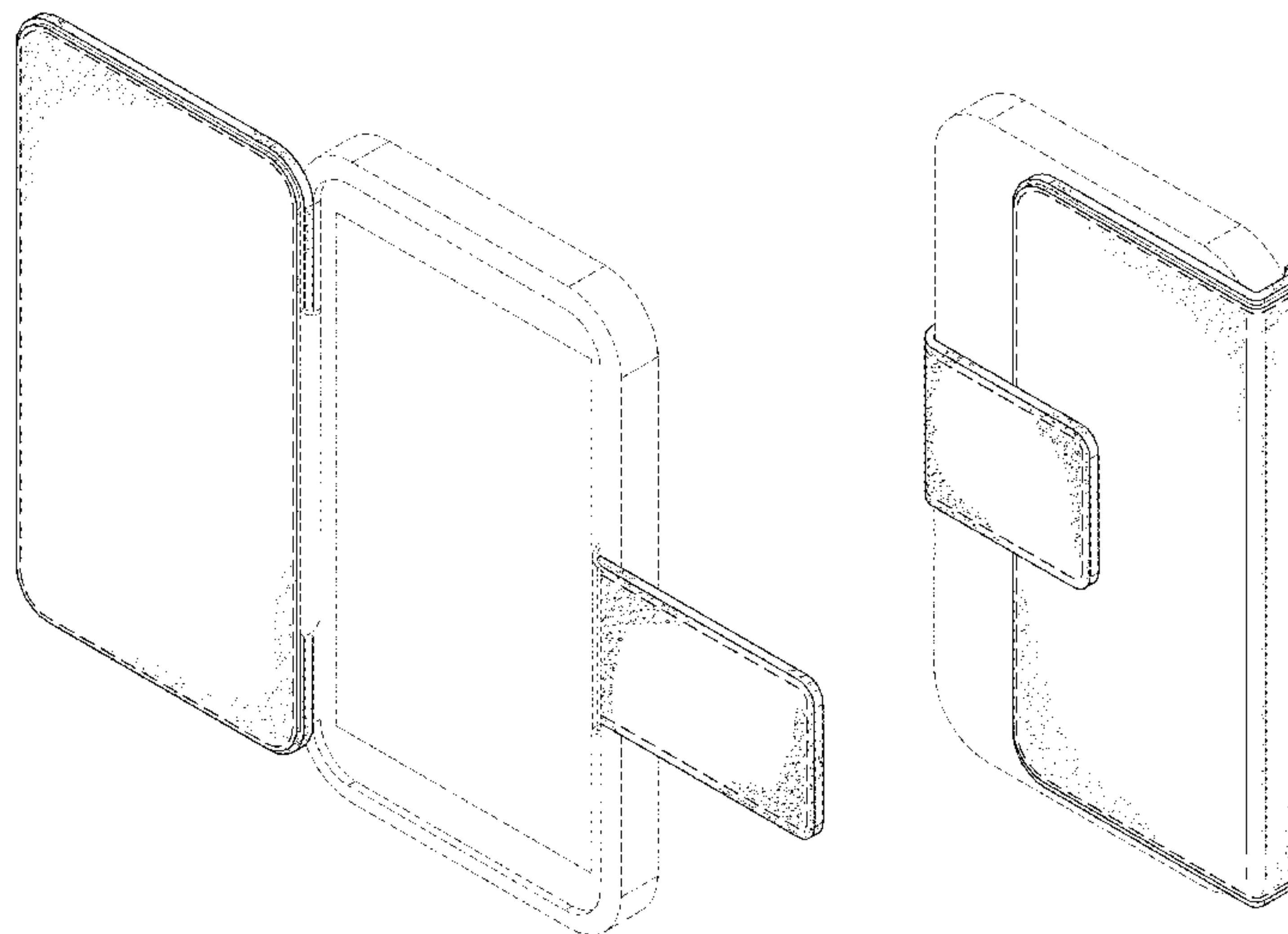
(57) **CLAIM**

The ornamental design for a mobile device case, as shown and described.

DESCRIPTION

FIG. 1 is an isometric view of a first embodiment of a mobile device case showing my new design;
FIG. 2 is a front elevational view thereof;
FIG. 3 is a rear elevational view thereof;
FIG. 4 is a left side elevational view thereof;
FIG. 5 is a right side elevational view thereof;
FIG. 6 is a top elevational view thereof;
FIG. 7 is a bottom elevational view thereof;
FIG. 8 is a front isometric view thereof, as installed on a notepad mobile device and with the case opened;
FIG. 9 is a front isometric view thereof, as installed on a notepad mobile device and with the case closed and fastened;
FIG. 10 is a rear isometric view thereof, as installed on a notepad mobile device and with the case open and fastened;
FIG. 11 is an isometric view of a second embodiment of a mobile device case showing my new design, with the broken lines and shading in each of the views illustrating a solid surface only and forming no part of the claimed design;
FIG. 12 is a front elevational view thereof;
FIG. 13 is a rear elevational view thereof;
FIG. 14 is a left side elevational view thereof;
FIG. 15 is a right side elevational view thereof;
FIG. 16 is a top elevational view thereof;
FIG. 17 is a bottom elevational view thereof;
FIG. 18 is a front isometric view thereof, as installed on a tablet mobile device and with the case opened;
FIG. 19 is a front isometric view thereof, as installed on a tablet mobile device and with the case closed and fastened; and,
FIG. 20 is a rear isometric view thereof, as installed on a tablet mobile device and with the case open and fastened.
The short broken lines throughout the drawings depict unclaimed environment and form no part of the claimed design. The long broken lines throughout the drawings depict decorative stitching which forms part of the claimed design.

1 Claim, 16 Drawing Sheets



(56)

References Cited

U.S. PATENT DOCUMENTS

D628,374 S *	12/2010	Lee et al.	D3/201	D700,599 S *	3/2014	Kim	D14/250
8,326,383 B1	12/2012	Patel et al.			D704,689 S *	5/2014	Chang	D14/250
D674,799 S *	1/2013	Kim	D14/440	D705,207 S *	5/2014	Kim et al.	D14/250
D676,031 S	2/2013	Melville et al.			D705,764 S *	5/2014	Thoni	D14/250
8,380,264 B2	2/2013	Hung et al.			D712,392 S *	9/2014	Corley et al.	D14/250
8,417,303 B2	4/2013	Ladouceur et al.			2009/0314400 A1 *	12/2009	Liu	150/165
D685,361 S	7/2013	Goradesky et al.			2011/0034221 A1 *	2/2011	Hung et al.	455/575.8
D685,799 S	7/2013	Canizares et al.			2012/0244920 A1 *	9/2012	Lee	455/575.8
					2013/0199908 A1	8/2013	Ladouceur et al.		
					2014/0183065 A1 *	7/2014	Toulotte	206/37

* cited by examiner

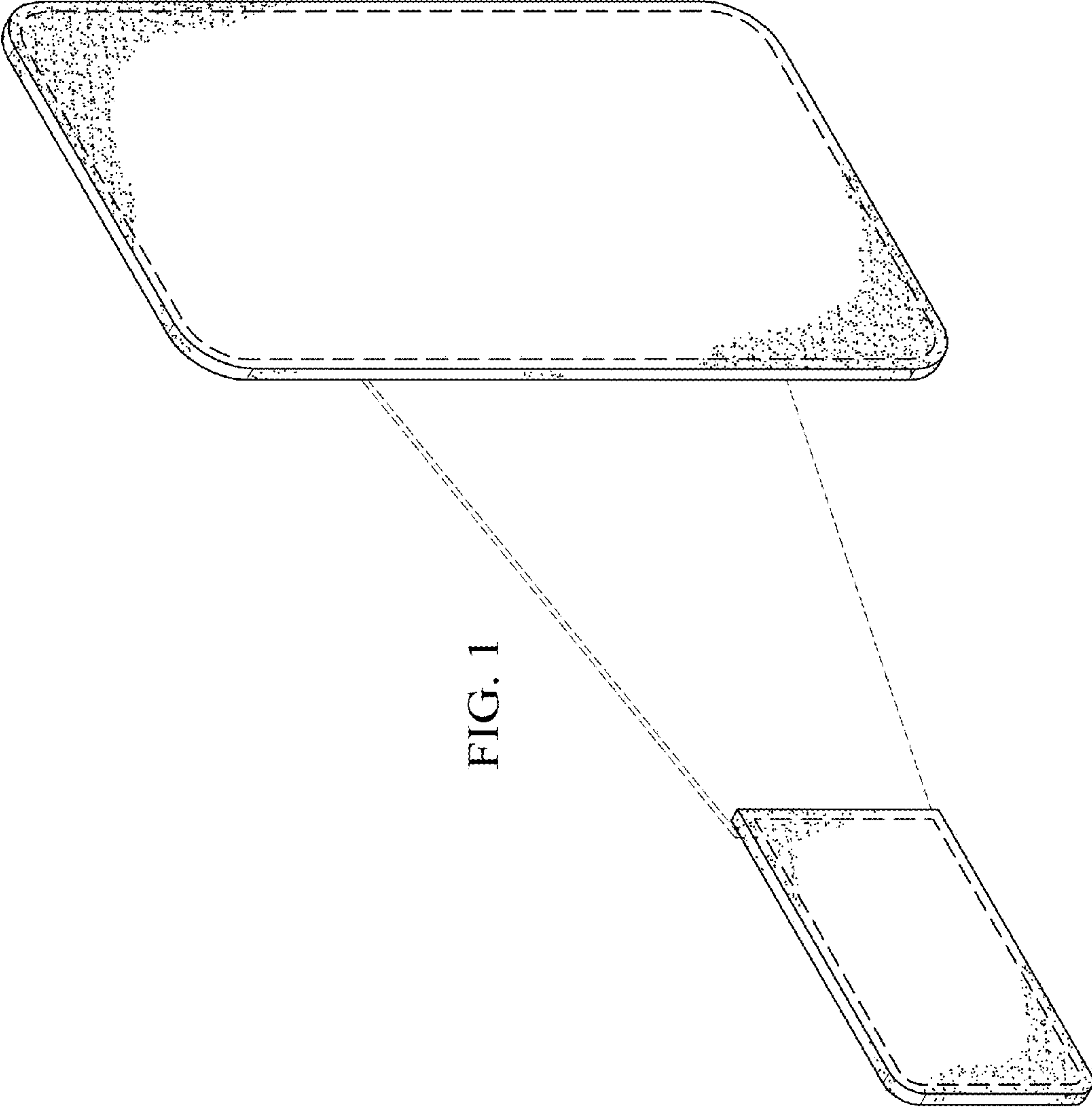


FIG. 1

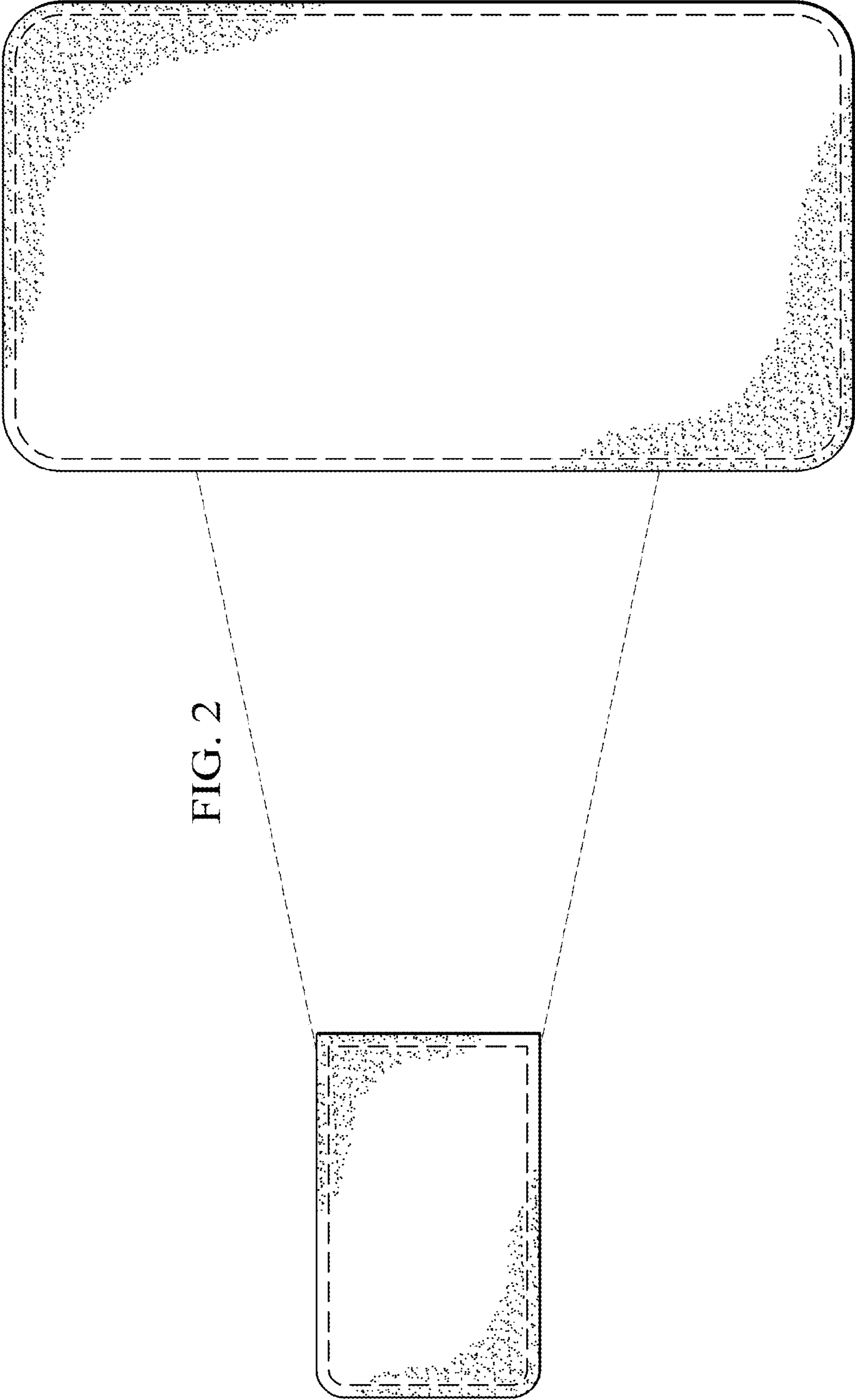


FIG. 2

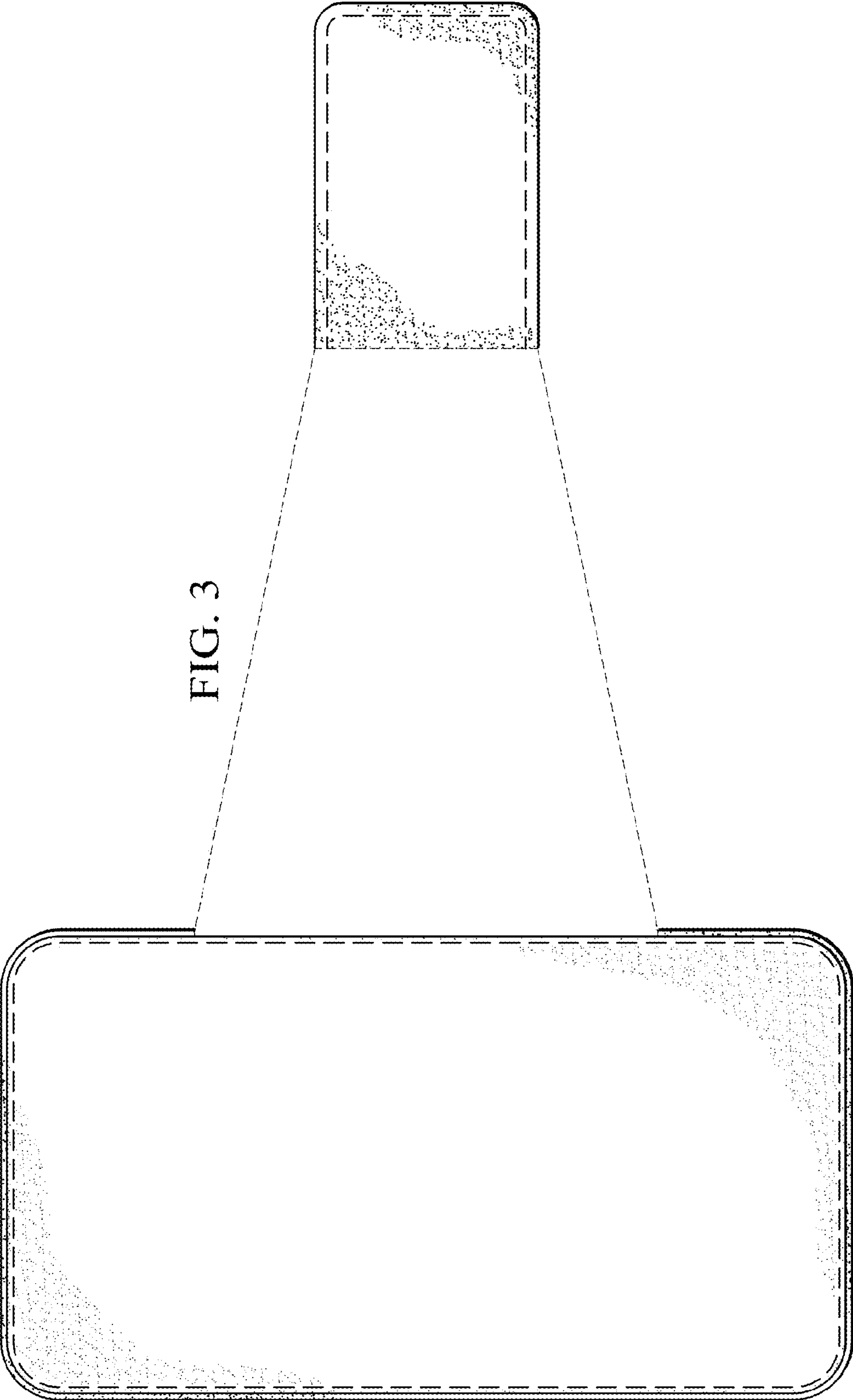


FIG. 3



FIG. 4



FIG. 5

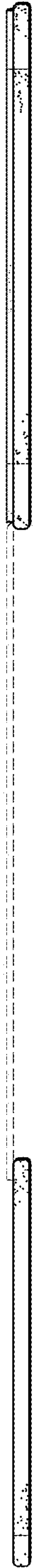


FIG. 6

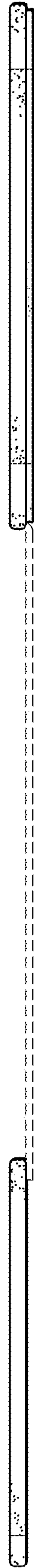


FIG. 7

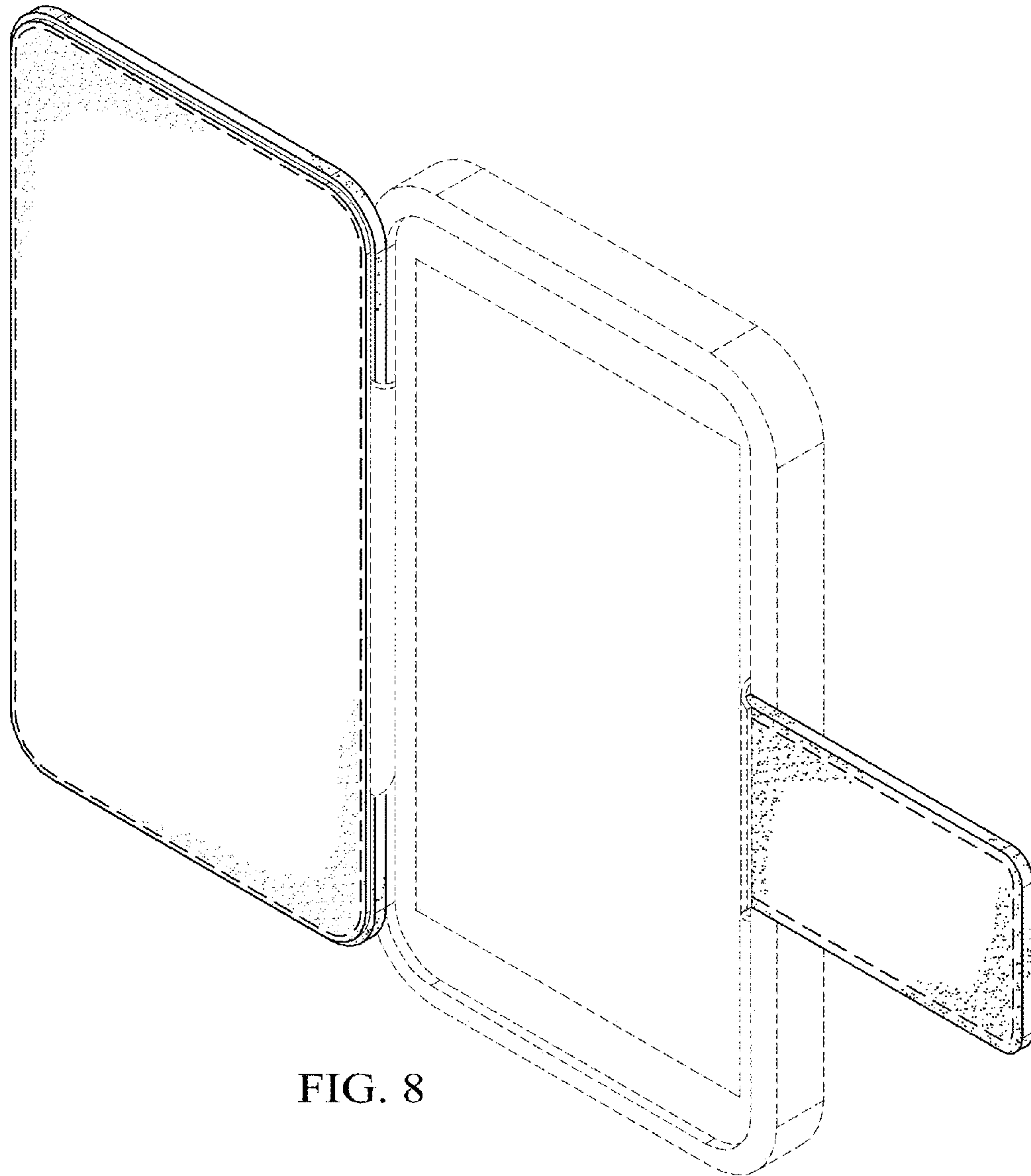


FIG. 8

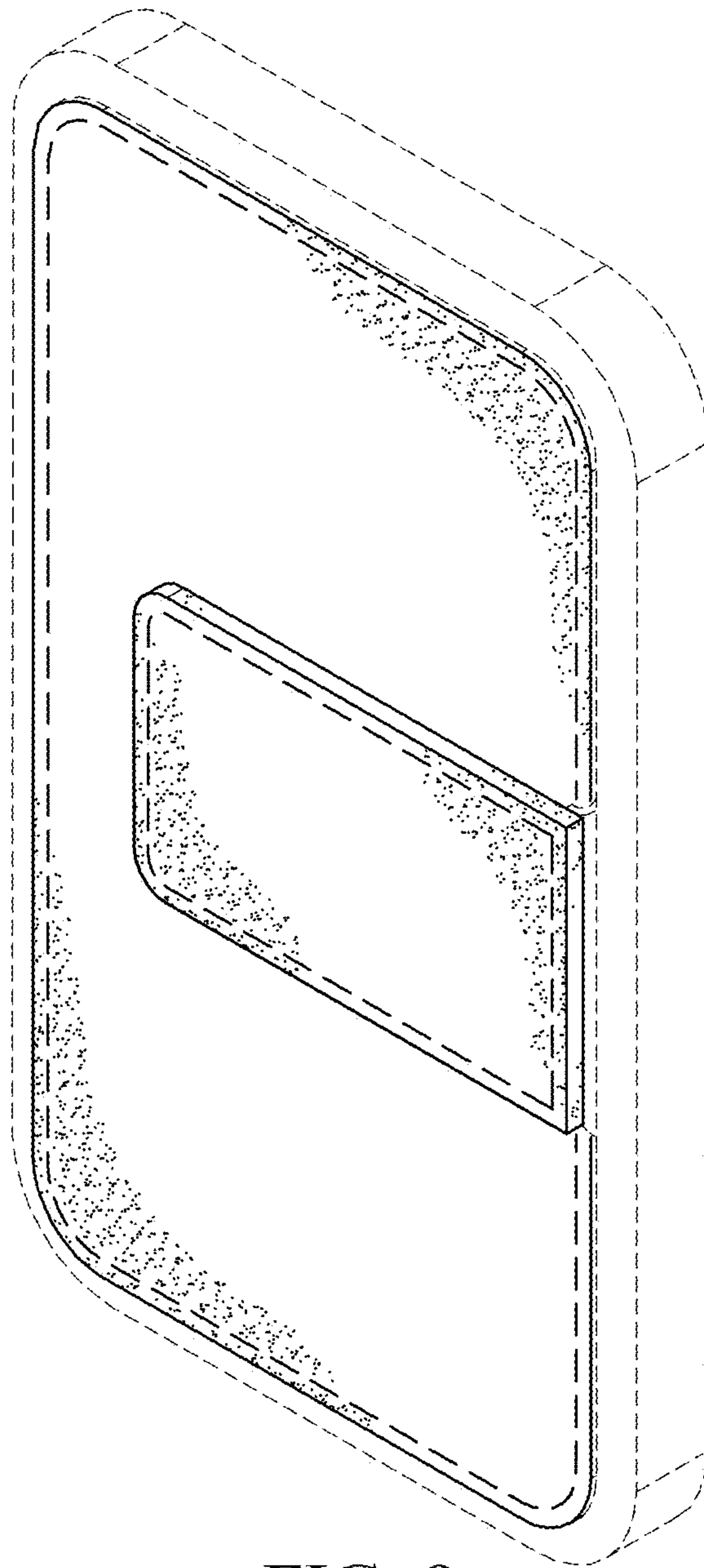


FIG. 9

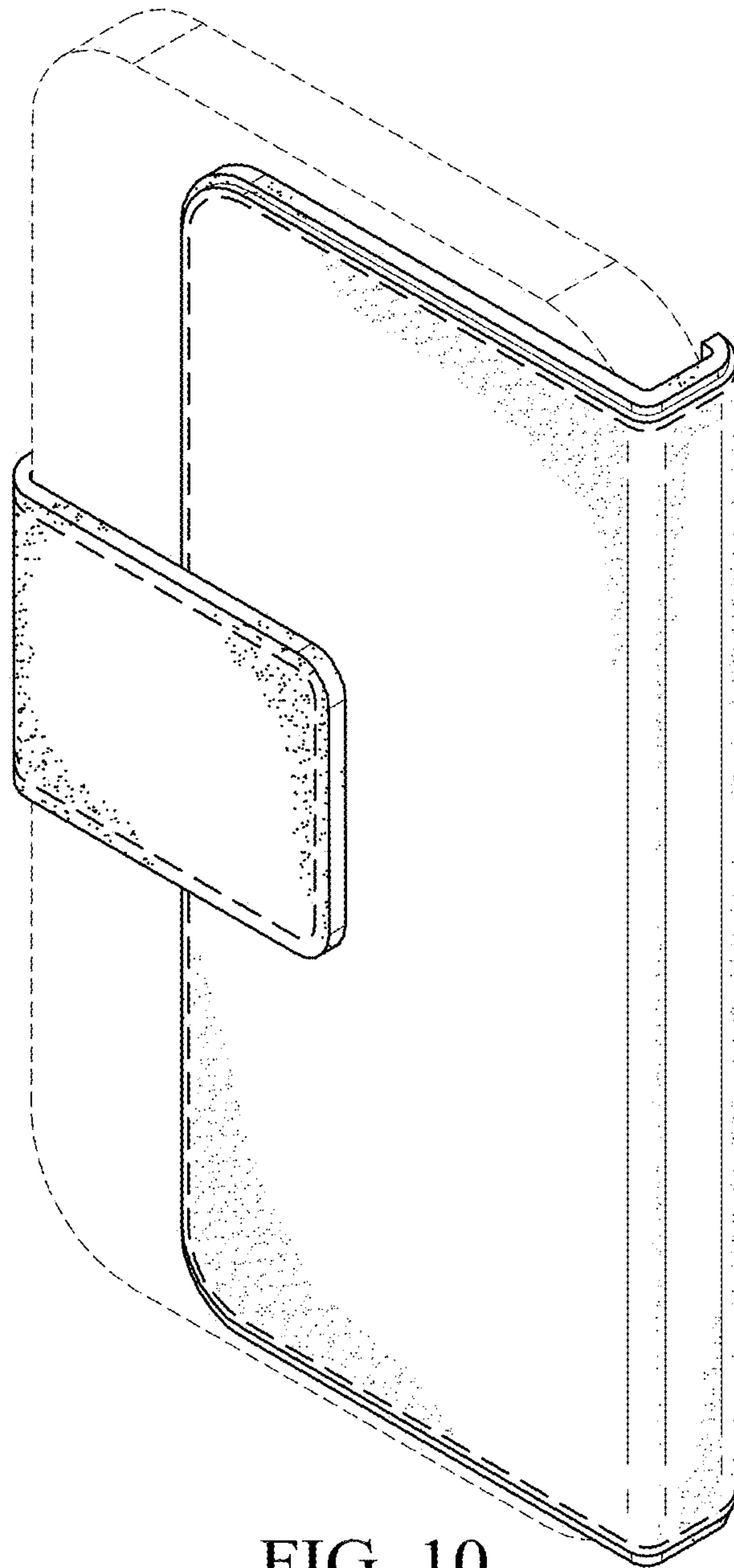
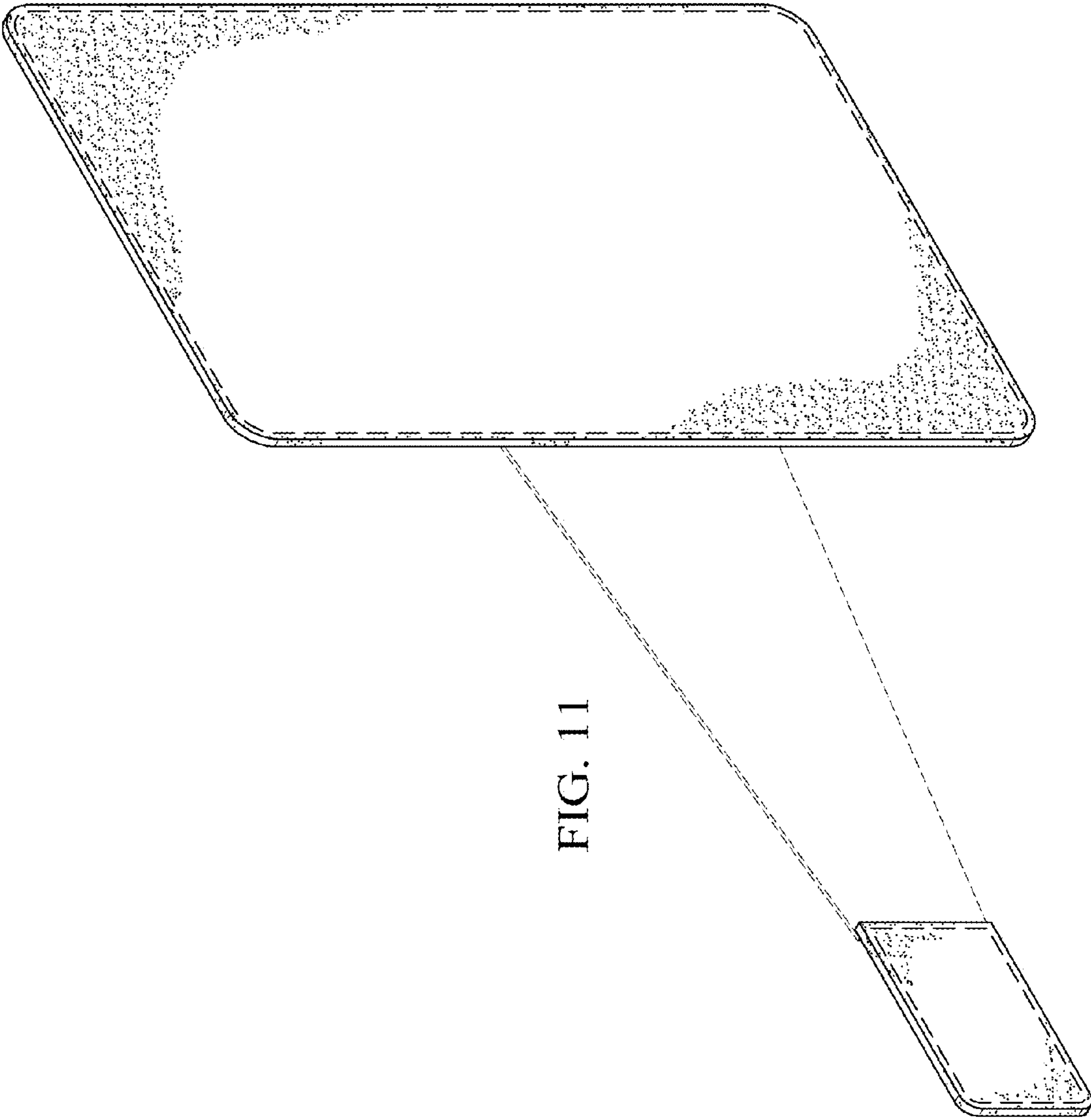


FIG. 10



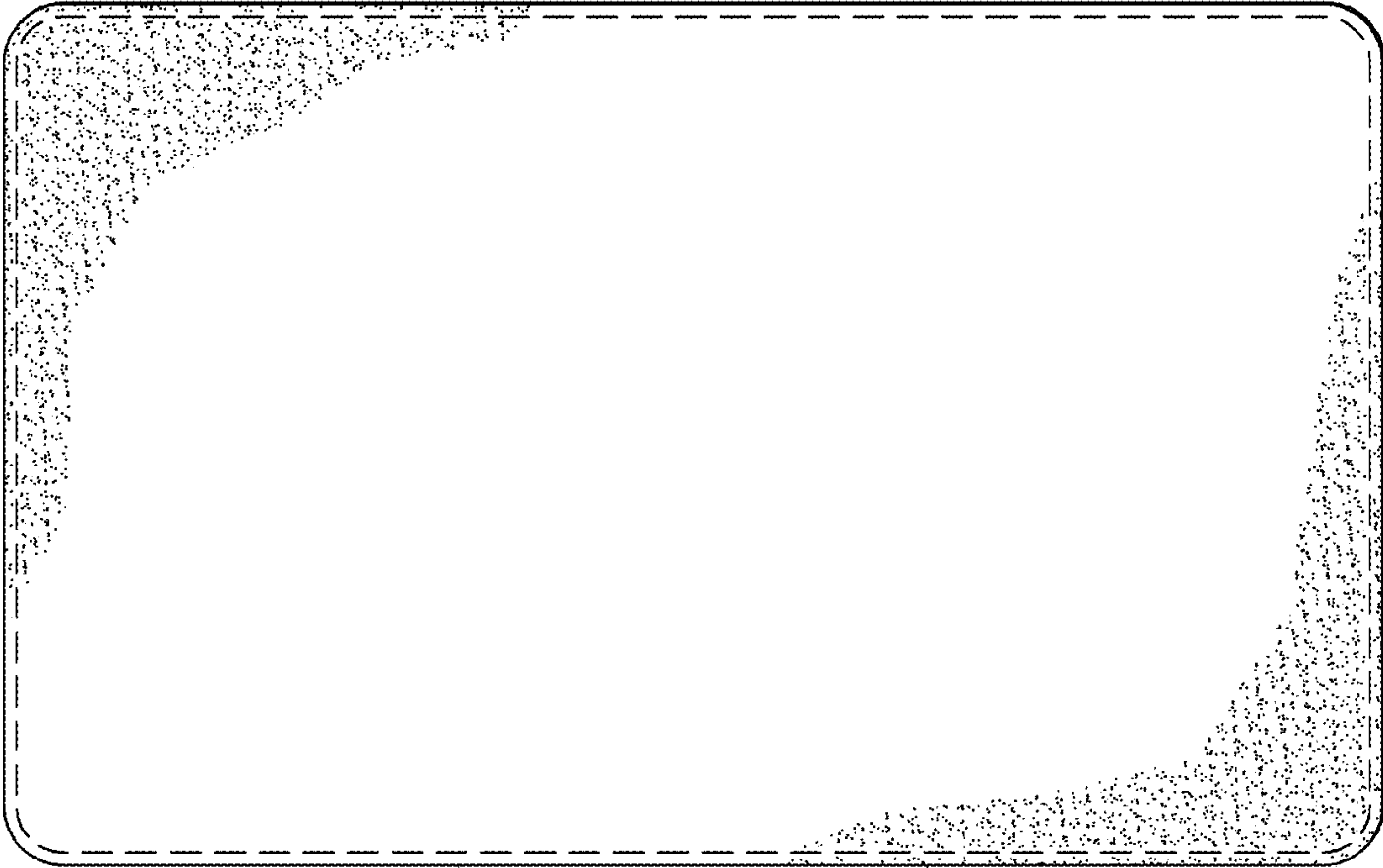
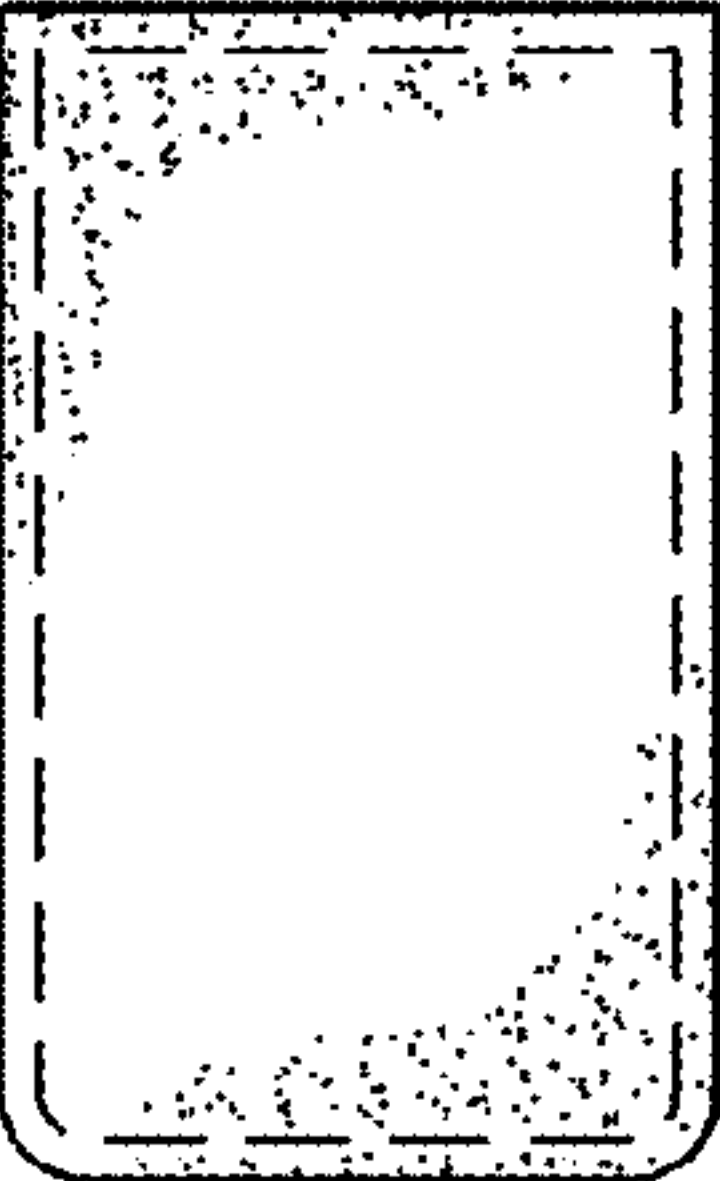


FIG. 12



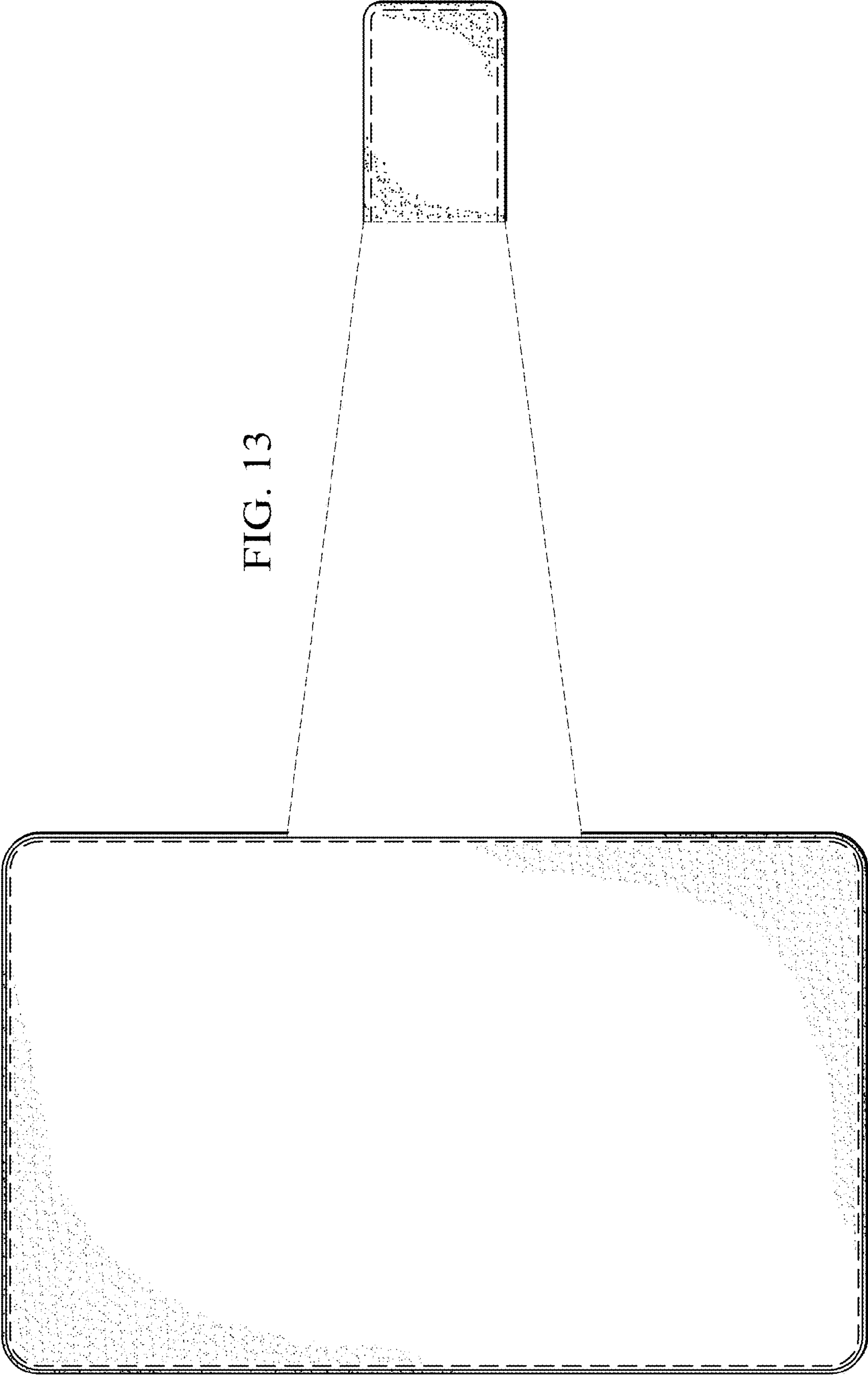


FIG. 13



FIG. 14



FIG. 15

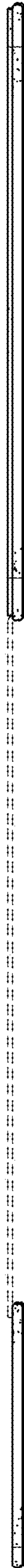


FIG. 16

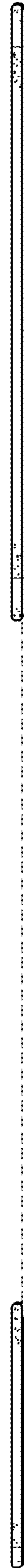


FIG. 17

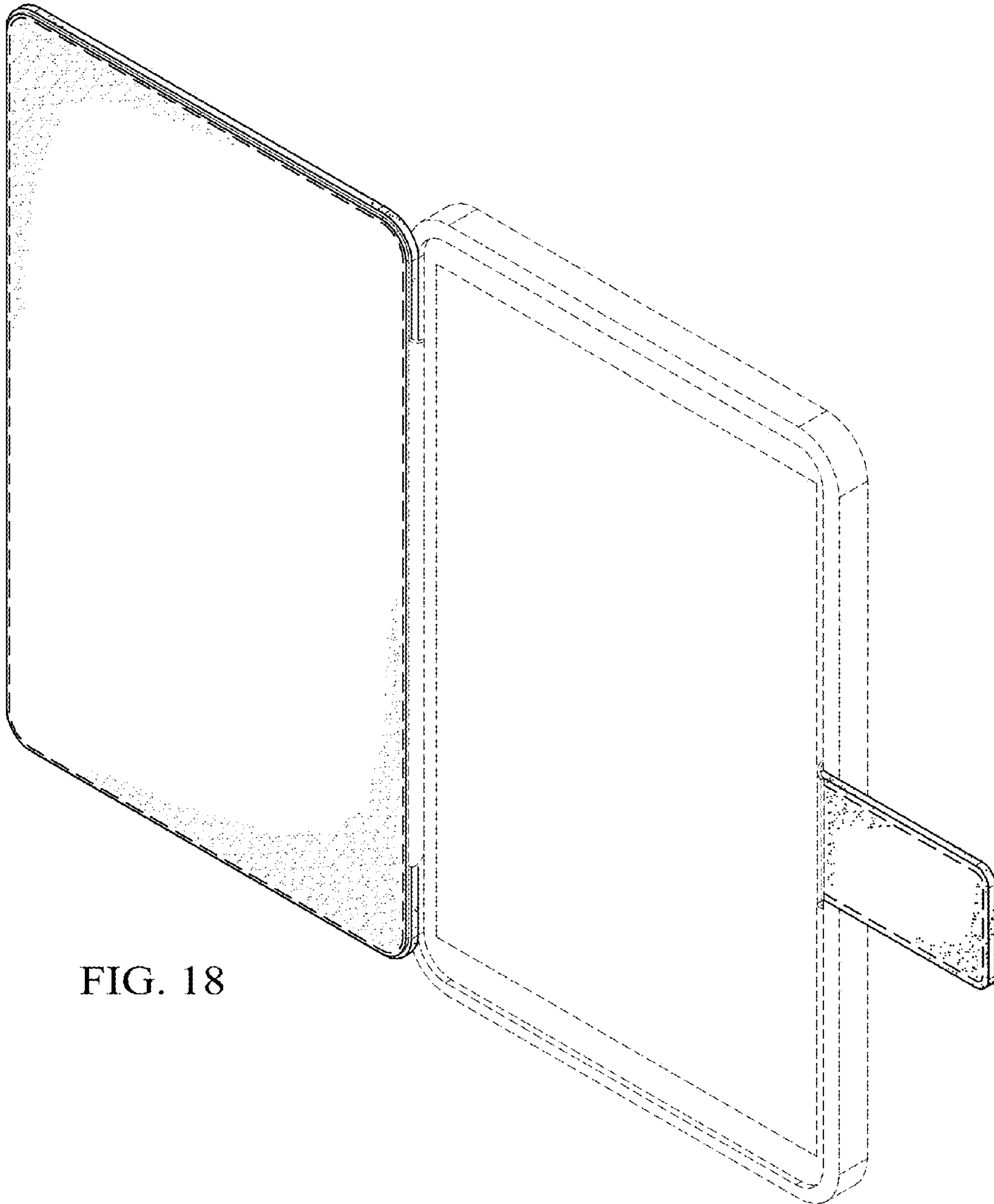


FIG. 18

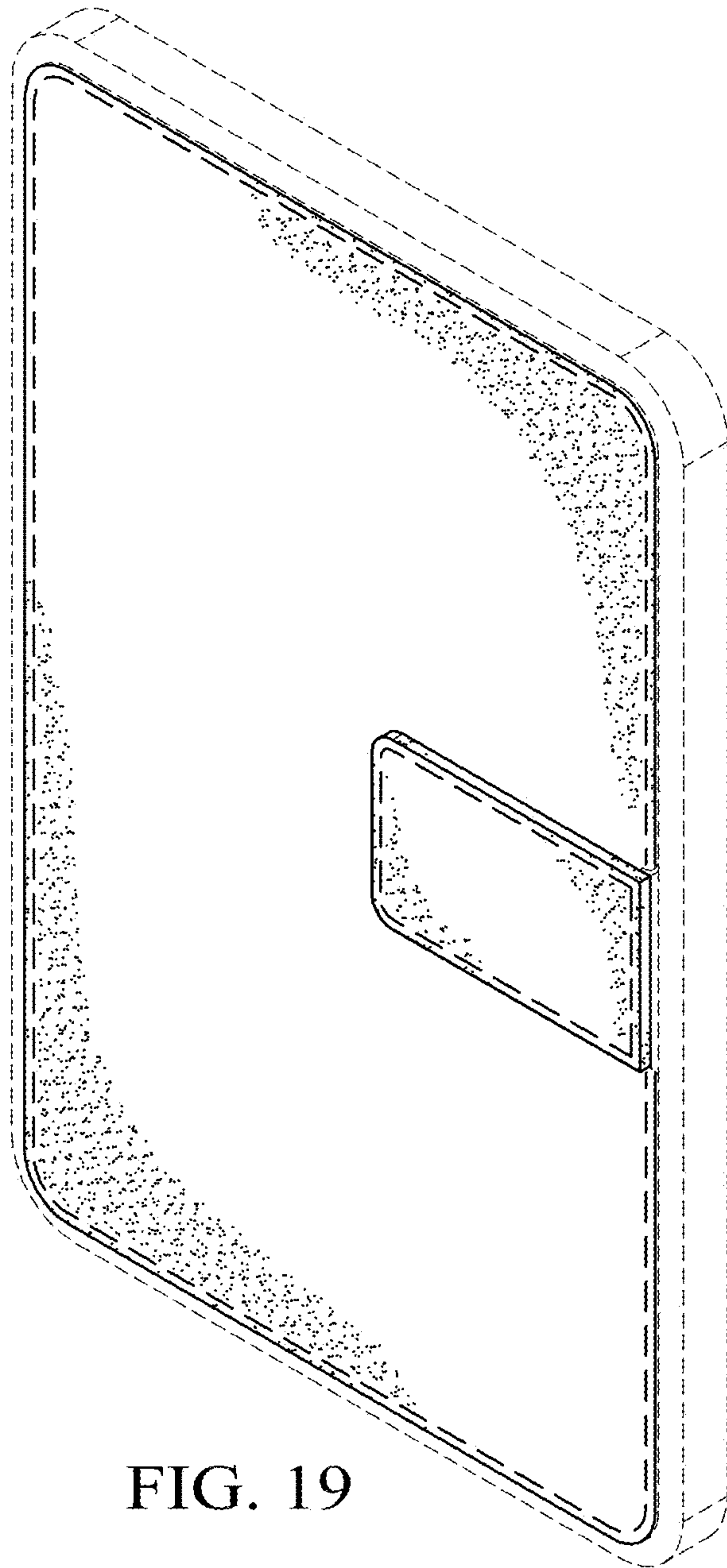


FIG. 19

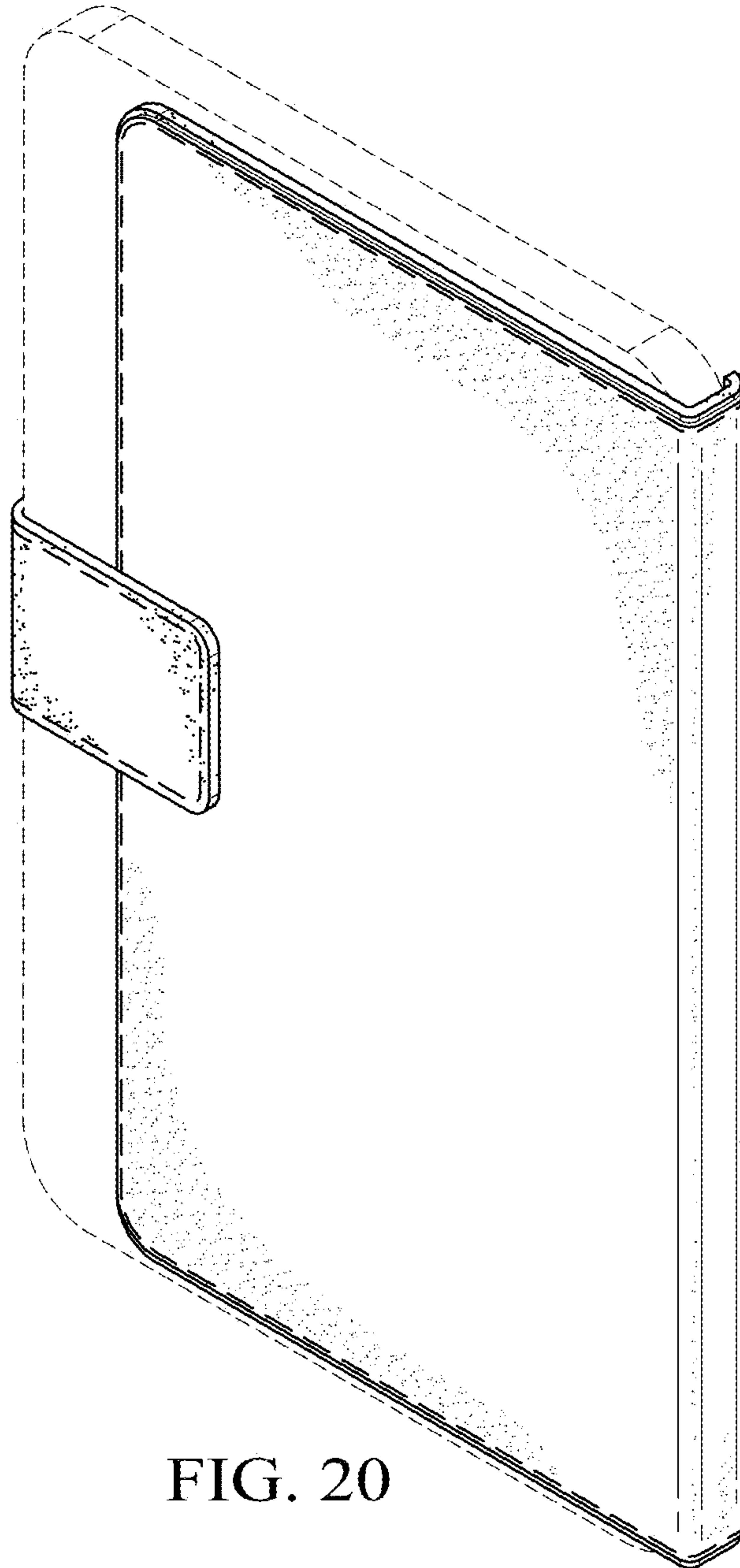


FIG. 20