



US00D724588S

(12) **United States Design Patent**
Miskiewicz et al.

(10) **Patent No.:** **US D724,588 S**
(45) **Date of Patent:** **** Mar. 17, 2015**

(54) **SMART CARD RFID READER**
(71) Applicant: **Essex Electronics, Inc.**, Carpinteria, CA (US)
(72) Inventors: **Henry L. Miskiewicz**, Carpinteria, CA (US); **Garrett Y. Kaufman**, Carpinteria, CA (US); **John C. Echols**, Santa Barbara, CA (US); **R. Douglas Hogg**, Santa Barbara, CA (US)
(73) Assignee: **Essex Electronics, Inc.**, Carpinteria, CA (US)

(**) Term: **14 Years**

(21) Appl. No.: **29/486,549**

(22) Filed: **Mar. 31, 2014**

(51) **LOC (10) Cl.** **14-02**

(52) **U.S. Cl.**
USPC **D14/385**

(58) **Field of Classification Search**
USPC D14/356-358, 383-385, 420, 426, 427, D14/432-439, 447, 453, 454, 217, 253, 299, D14/307; D13/107, 108, 133, 146, 147, D13/152, 154, 156, 158, 162, 162.1, 168, D13/173, 177, 102; 235/441, 451, 492, 380, 235/439, 375; 361/679.31, 600, 679.01, 361/679.02

See application file for complete search history.

(56) **References Cited**

U.S. PATENT DOCUMENTS

D448,770 S	*	10/2001	Morimiya	D14/385
D535,994 S	*	1/2007	Leibenguth	D14/385
D571,805 S	*	6/2008	Leung et al.	D14/385
D580,438 S	*	11/2008	Kuchler	D14/385
D659,138 S	*	5/2012	Hsu et al.	D14/385

D681,036 S	*	4/2013	Taunay da Graca	D14/385
D681,638 S	*	5/2013	Taunay da Graca	D14/385
D681,639 S	*	5/2013	Cruz et al.	D14/385
D684,574 S	*	6/2013	Taunay da Graca	D14/385
D684,575 S	*	6/2013	Taunay da Graca	D14/385
D692,885 S	*	11/2013	Cruz	D14/385
D696,255 S	*	12/2013	Bousfield et al.	D14/385
D698,789 S	*	2/2014	Daniel	D14/385
D706,266 S	*	6/2014	Rotsaert	D14/385
D707,676 S	*	6/2014	Azuma	D14/385
D707,677 S	*	6/2014	Azuma	D14/385
D707,678 S	*	6/2014	Azuma	D14/385
D709,069 S	*	7/2014	Cruz et al.	D14/385
D711,875 S	*	8/2014	Daniel	D14/385
D711,876 S	*	8/2014	McWilliam et al.	D14/385

* cited by examiner

Primary Examiner — Austin Murphy

(74) *Attorney, Agent, or Firm* — Leech Tishman Fuscaldo & Lampl; Kenneth D'Alessandro

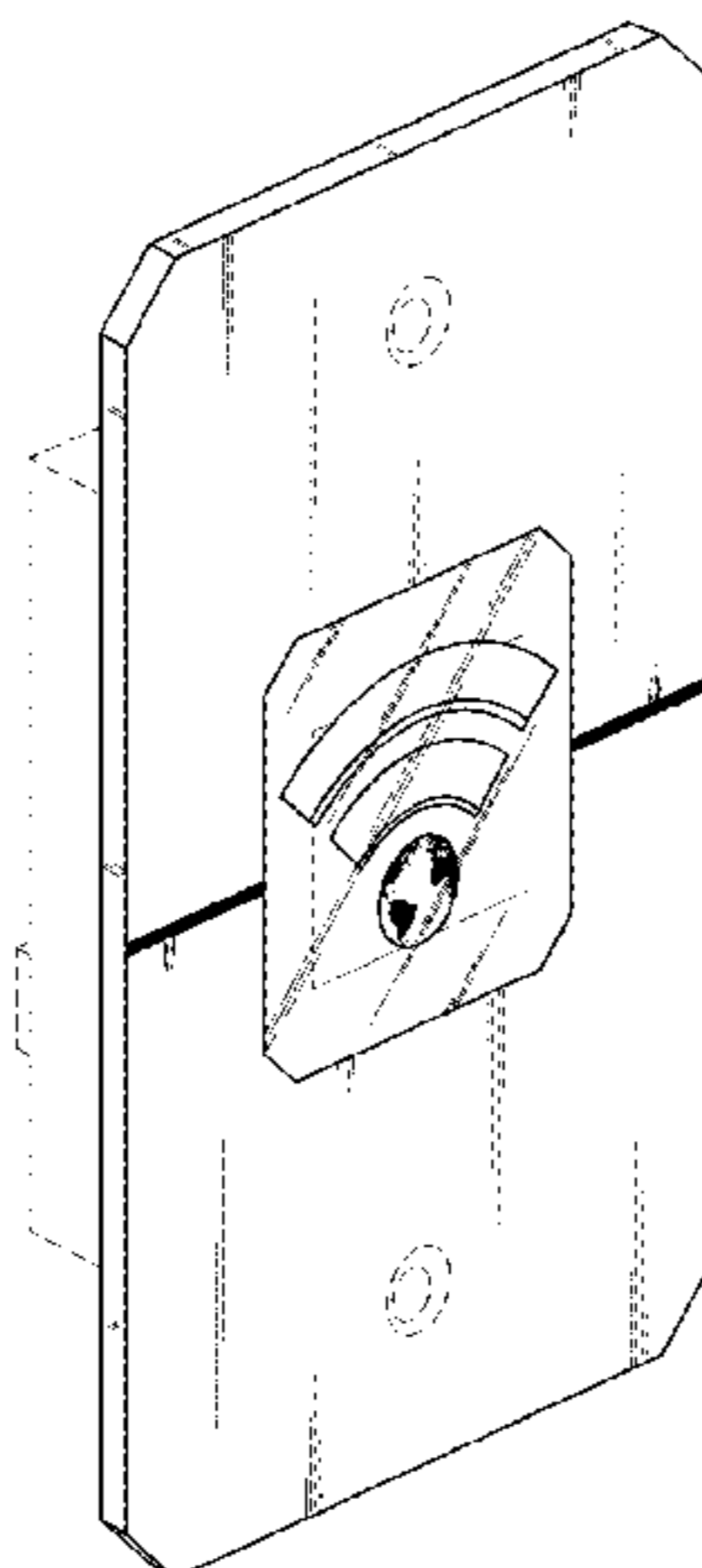
(57) **CLAIM**

The ornamental design for a smart card RFID reader, as shown and described.

DESCRIPTION

FIG. 1 is a front view of a smart card RFID reader showing our new design;
FIG. 2 is a rear view thereof;
FIG. 3 is a top view thereof;
FIG. 4 is a bottom view thereof;
FIG. 5 is a left side view thereof;
FIG. 6 is a right side view thereof; and,
FIG. 7 is an upper left perspective view thereof.
The broken line showings of FIGS. 1-7 are not part of the claimed design.

1 Claim, 4 Drawing Sheets



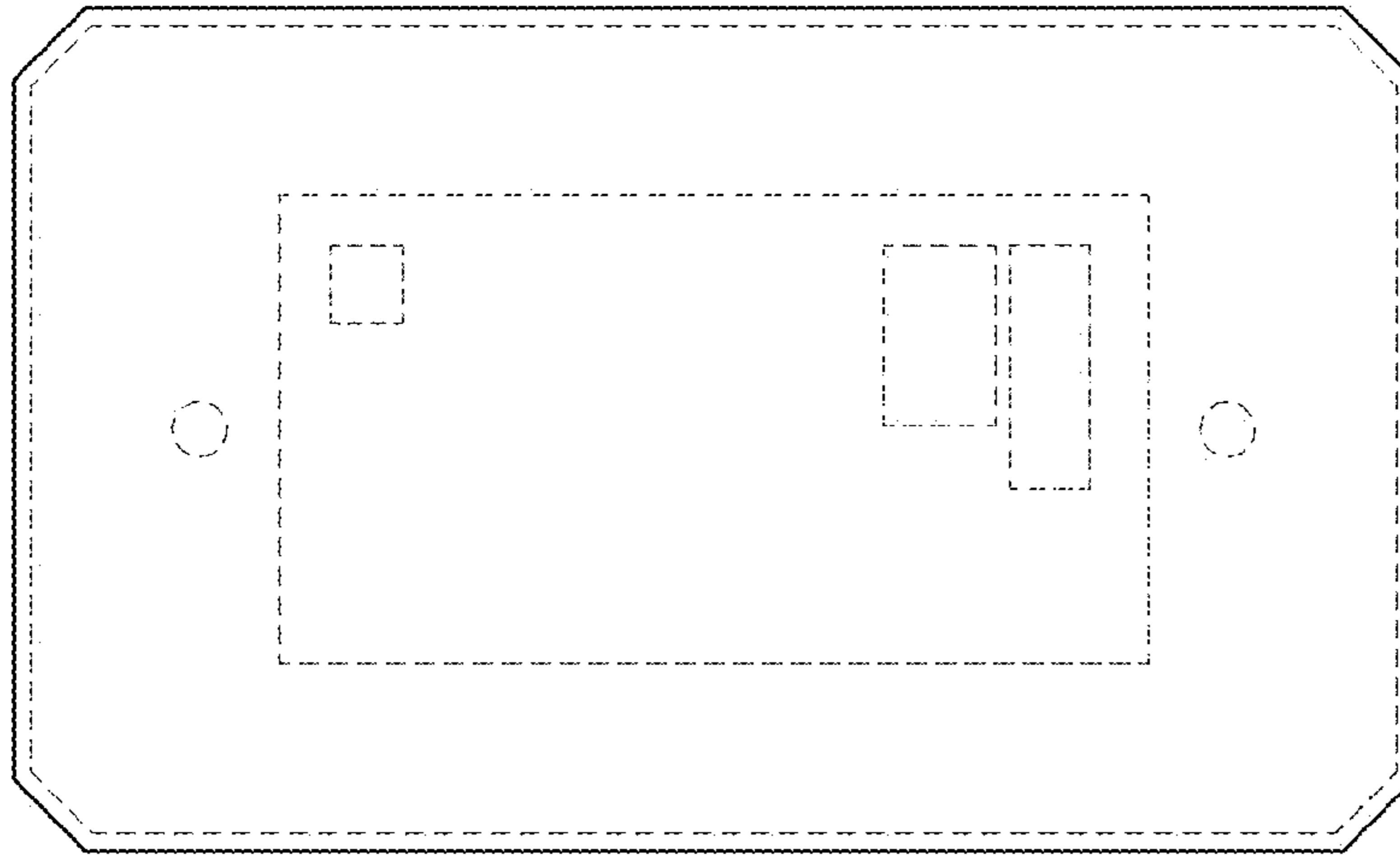


FIG. 2

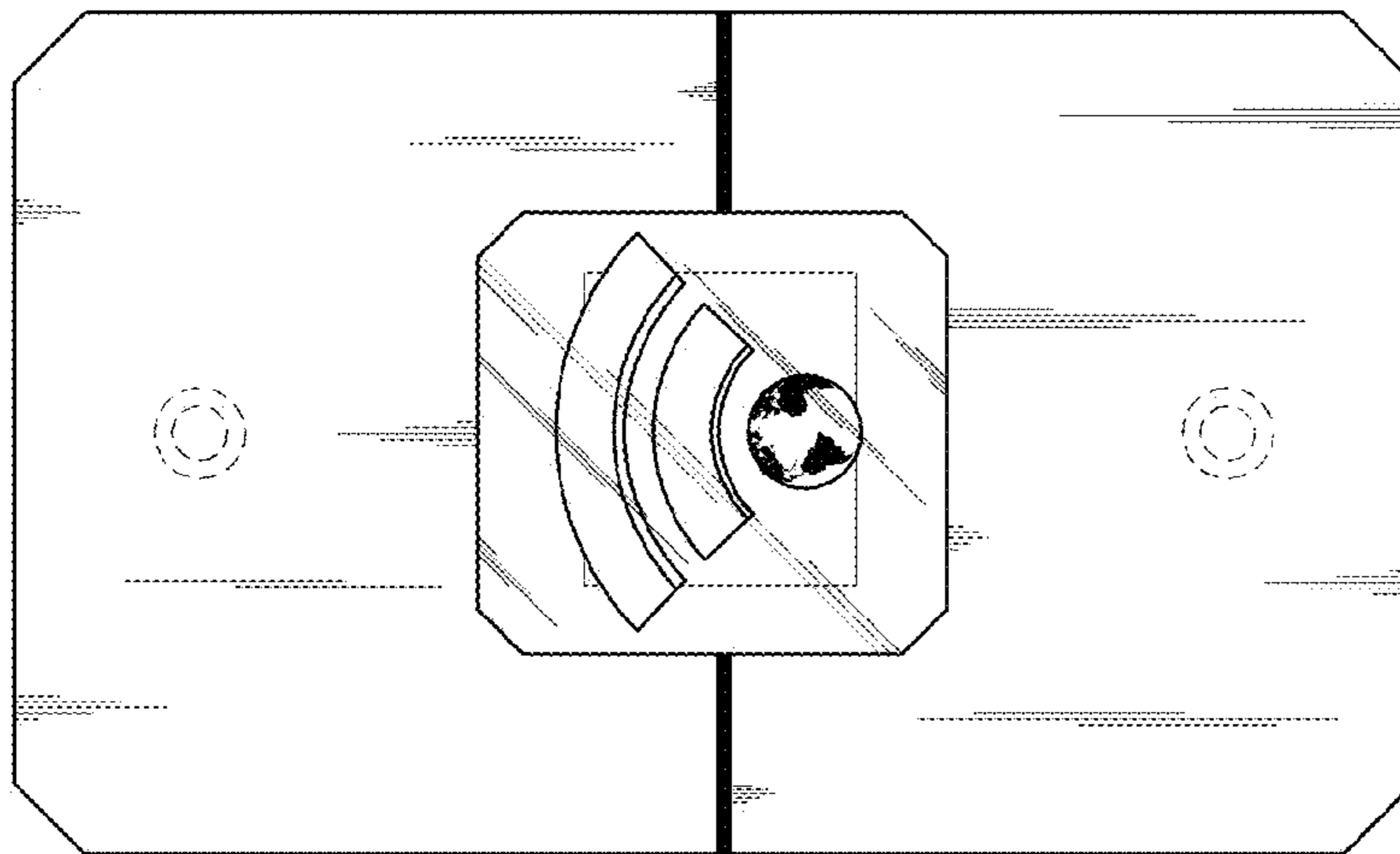


FIG. 1

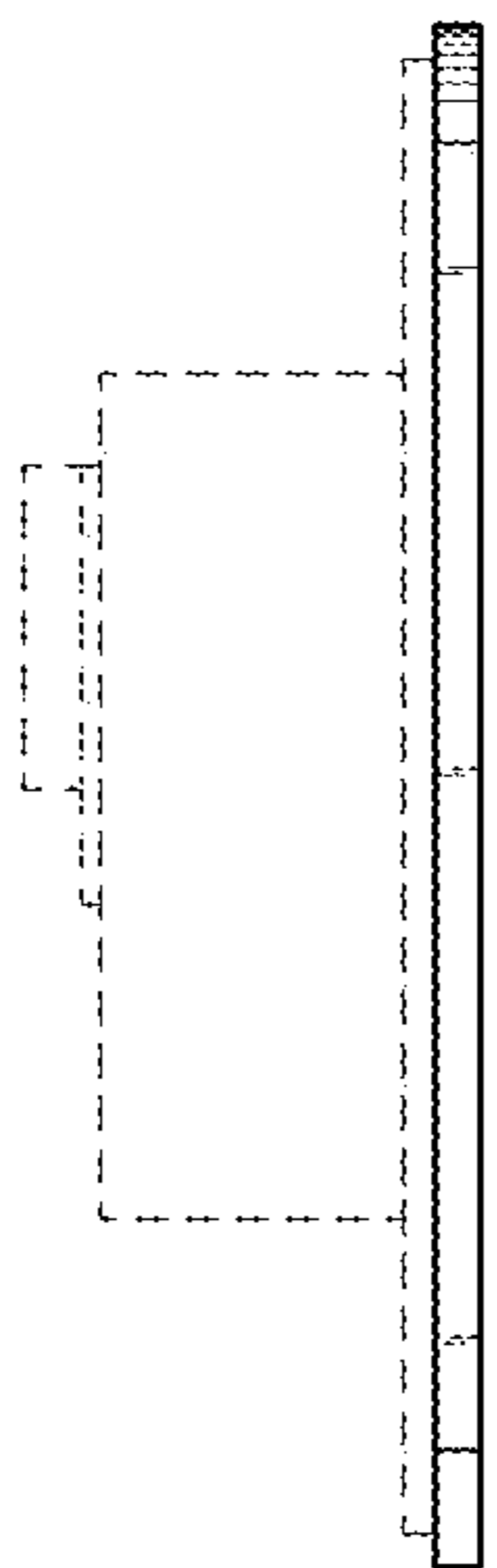


FIG. 3

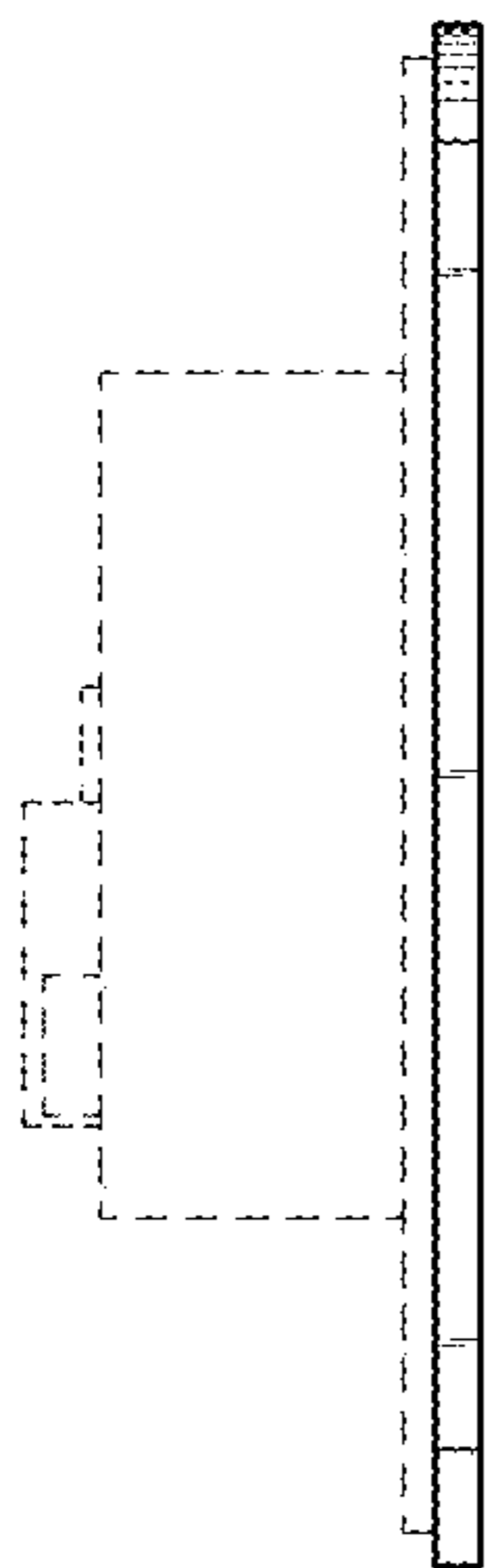


FIG. 4

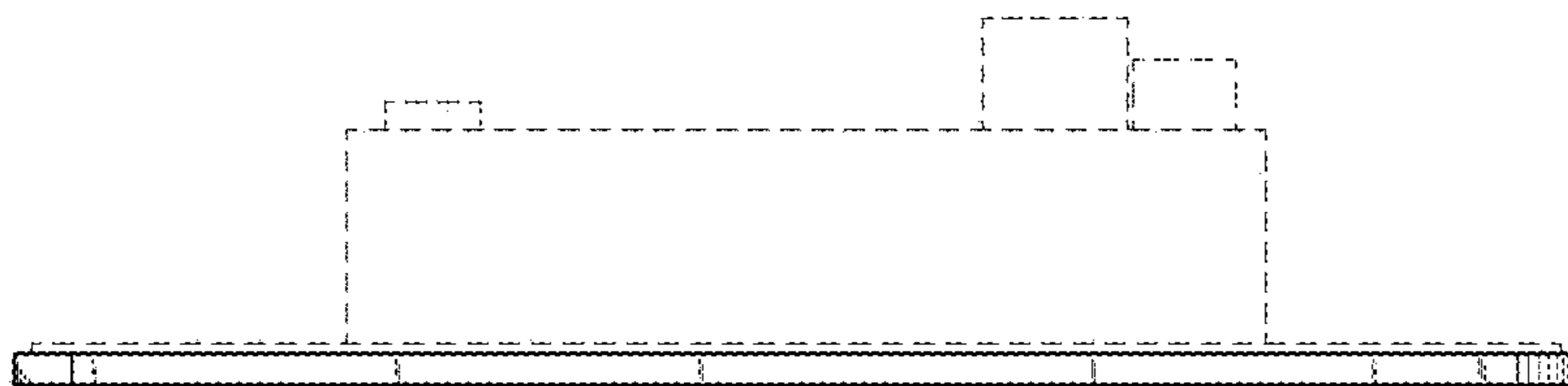


FIG. 6

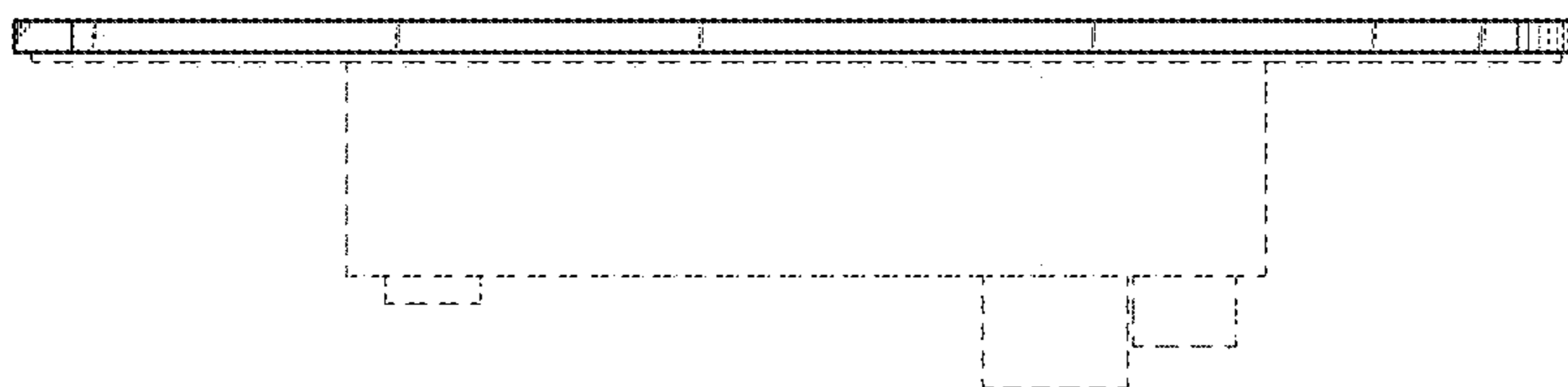


FIG. 5

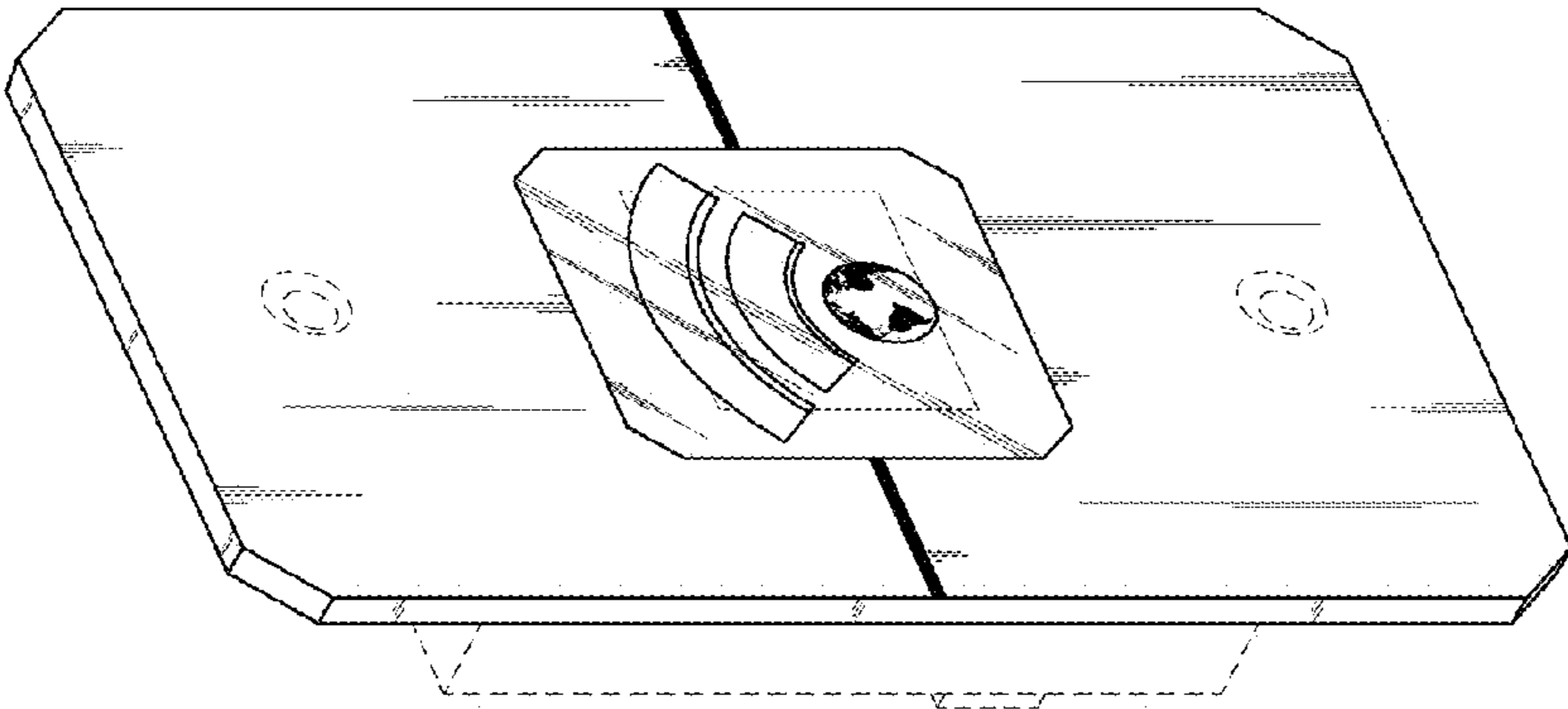


FIG. 7