

US00D724583S

(12) **United States Design Patent**
Ge

(10) **Patent No.:** **US D724,583 S**
(45) **Date of Patent:** **** Mar. 17, 2015**

(54) **WIFI REPEATER**

(71) Applicant: **Huawei Device Co., Ltd.**, Shenzhen (CN)

(72) Inventor: **Yahui Ge**, Shenzhen (CN)

(73) Assignee: **Huawei Device Co., Ltd.**, Shenzhen (CN)

(**) Term: **14 Years**

(21) Appl. No.: **29/445,594**

(22) Filed: **Feb. 13, 2013**

(30) **Foreign Application Priority Data**

Aug. 13, 2012 (CN) 2012 3 0396003

(51) **LOC (10) Cl.** **14-02**

(52) **U.S. Cl.**
USPC **D14/358**; D14/356

(58) **Field of Classification Search**
USPC 320/107, 108-115; 345/173-174;
455/556.1; 720/669; D3/216, 218;
D6/466; D8/396; D10/65, 78, 104,
D10/104.4, 105.1, 106.1; D13/78, 103, 108,
D13/110, 139.1-139.7, 158, 171, 184;
D14/125, 138 G, 155, 168, 188, 203.3,
D14/217, 240, 242

See application file for complete search history.

(56) **References Cited**

U.S. PATENT DOCUMENTS

D320,758 S * 10/1991 Lutz et al. D10/104.1
D479,016 S * 8/2003 Sgariboldi D28/78
D594,875 S * 6/2009 Sheba et al. D14/496
D605,113 S * 12/2009 Maier et al. D13/108
D635,940 S * 4/2011 Cho et al. D14/125

D636,724 S * 4/2011 Nomi et al. D13/108
D637,951 S * 5/2011 Perez D13/108
D648,298 S * 11/2011 Pierce et al. D14/138 G
D648,689 S * 11/2011 Mehlsen D14/125
D694,233 S * 11/2013 Hoofnagle et al. D14/356
D696,627 S * 12/2013 Tsoi D13/110

FOREIGN PATENT DOCUMENTS

CN 301625140 * 7/2011
CN 302456081 * 6/2013
CN 302680618 * 12/2013
CN 302694781 * 12/2013

OTHER PUBLICATIONS

Three ways to make your wireless Christmas tech gifts sound awesome! [online]. Aperion Audio, 2013 [retrieved on Jan. 29, 2014]. Retrieved from the Internet: <URL: <http://www.aperionaudio.com/blog/do-i-need-a-soundbar>>.*

(Continued)

Primary Examiner — Deanna L Pratt

(74) *Attorney, Agent, or Firm* — Slater & Matsil, L.L.P.

(57) **CLAIM**

The ornamental design for a wifi repeater, as shown and described.

DESCRIPTION

FIG. 1 is a bottom view of a wifi repeater showing my new design;

FIG. 2 is a right side view thereof;

FIG. 3 is a front view thereof;

FIG. 4 is a left side view thereof;

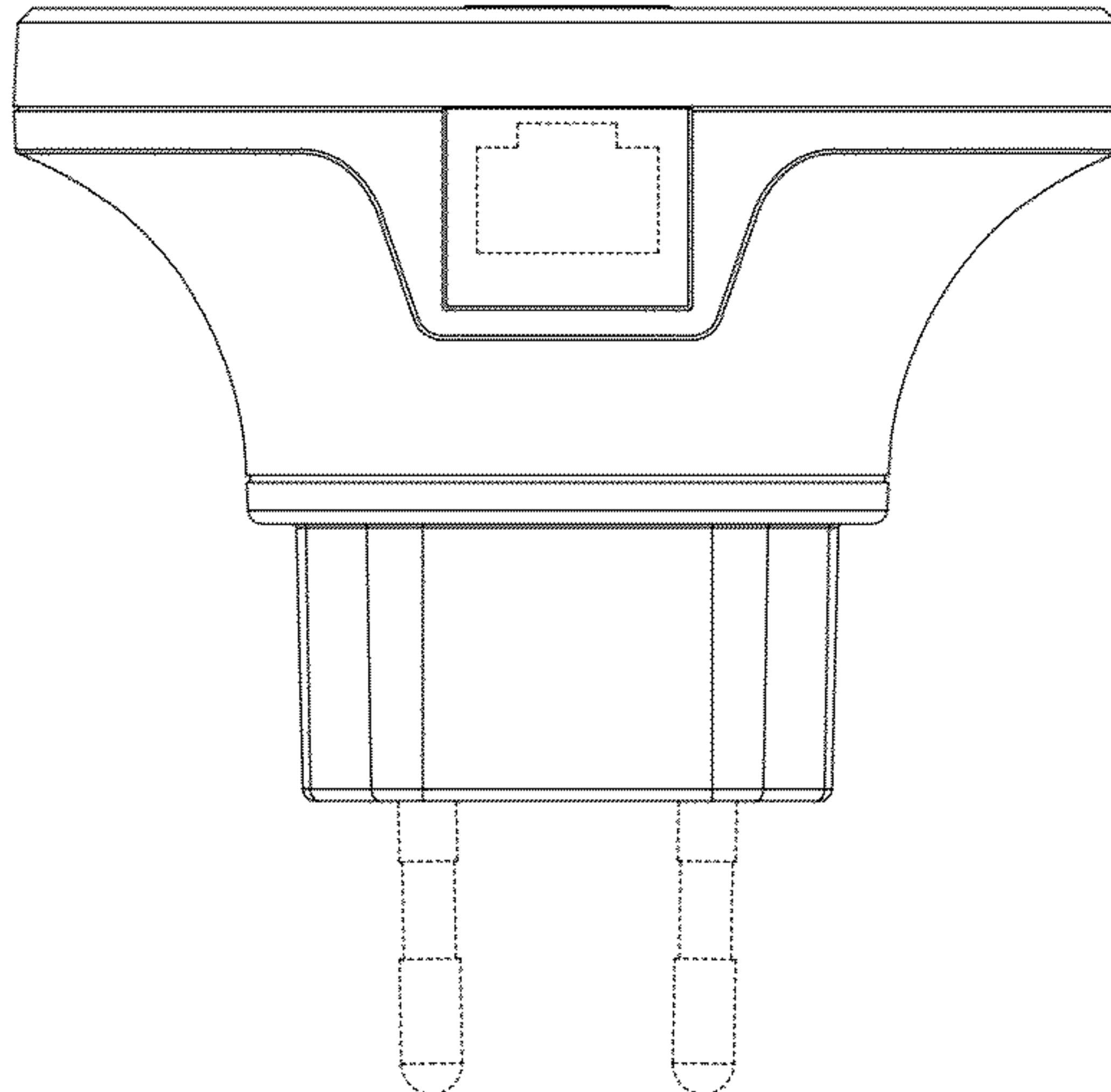
FIG. 5 is a back view thereof;

FIG. 6 is a top view thereof; and,

FIG. 7 is a front perspective view thereof.

The broken lines in the drawings illustrate portions of the wifi repeater that form no part of the claimed design.

1 Claim, 7 Drawing Sheets



(56)

References Cited

OTHER PUBLICATIONS

3Dconnexion SpaceMouse—3D motion controller—2 buttons—wireless, wired—2.4 GHz—USB wireless receiver [online]. Dell, 2014 [retrieved on Jan. 29, 2014]. Retrieved from the Internet: <URL: <http://accessories.us.dell.com/sna/productdetail.aspx?c=us&I=en&s=gen&sku=a7259029>>.*

Yamaha YBA-10WH Bluetooth Wireless Audio Receiver for Select Yamaha [online]. MCH Rewards, 2014 [retrieved on Jan. 29, 2014]. Retrieved from the Internet: <URL: <http://mchrewards.com/home-theater-accessories/305-yamaha-yba-10wh-bluetooth-wireless-audio-receiver-for-select-yamaha-home-theater-receivers.html>>.*

2.4G 500-800m wireless wifi radio receiver internet radio [online]. Alibaba.com, 2013 [retrieved on Jan. 29, 2014]. Retrieved from the Internet: <URL: http://www.alibaba.com/product-gs/1180692839/2_4G_500_800m_wireless_wifi.html>.*

* cited by examiner

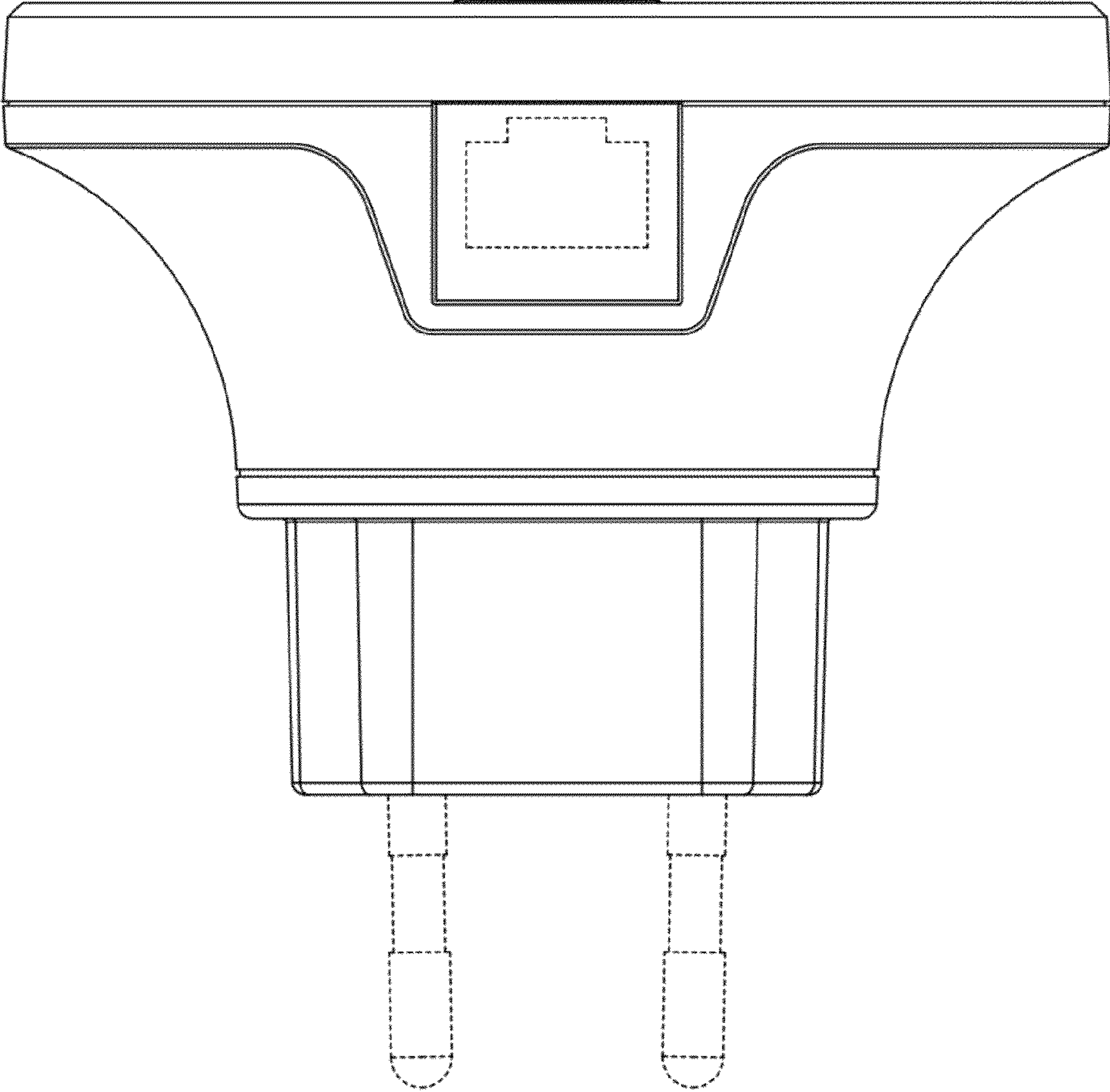


FIG. 1

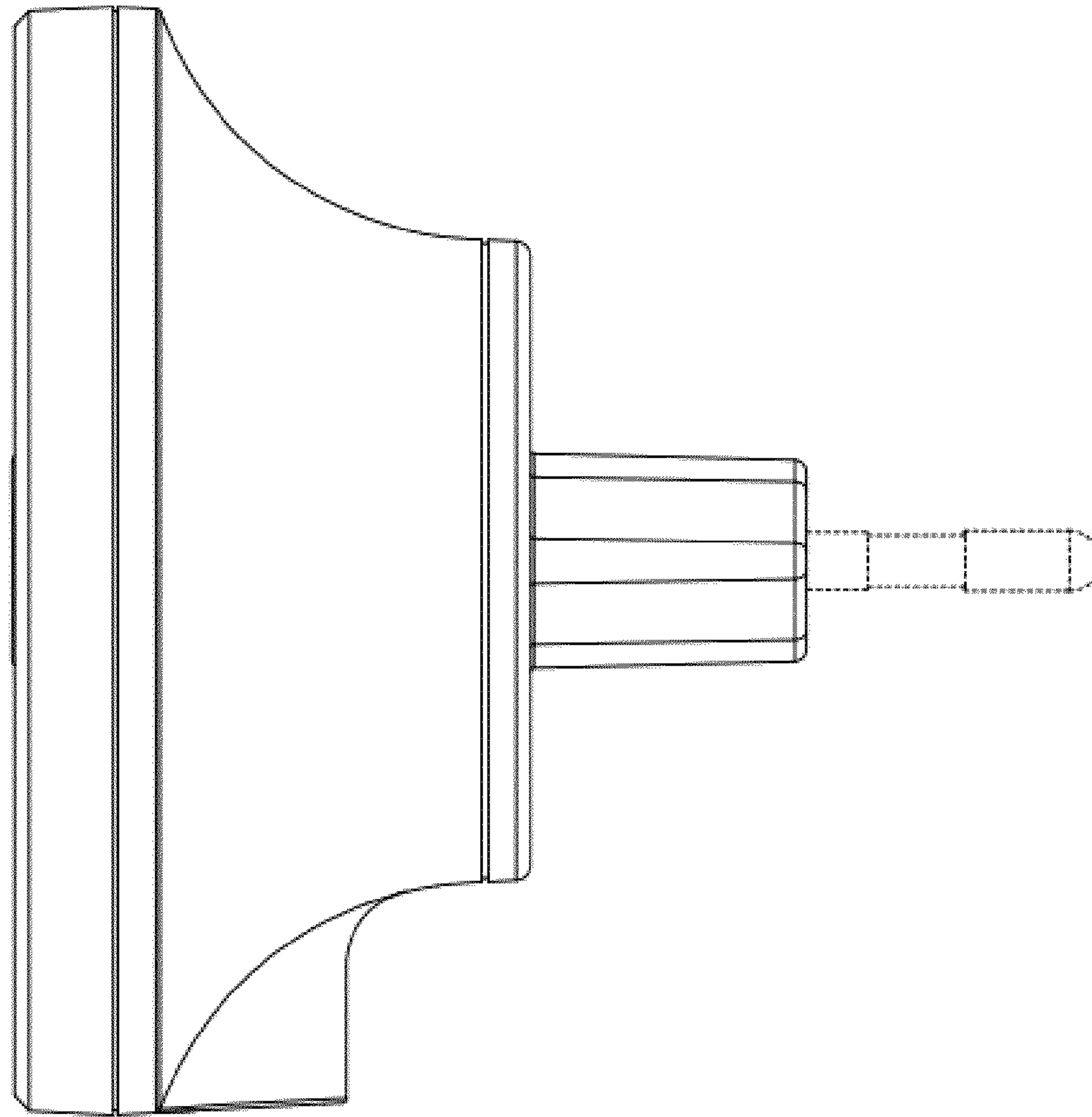


FIG.2

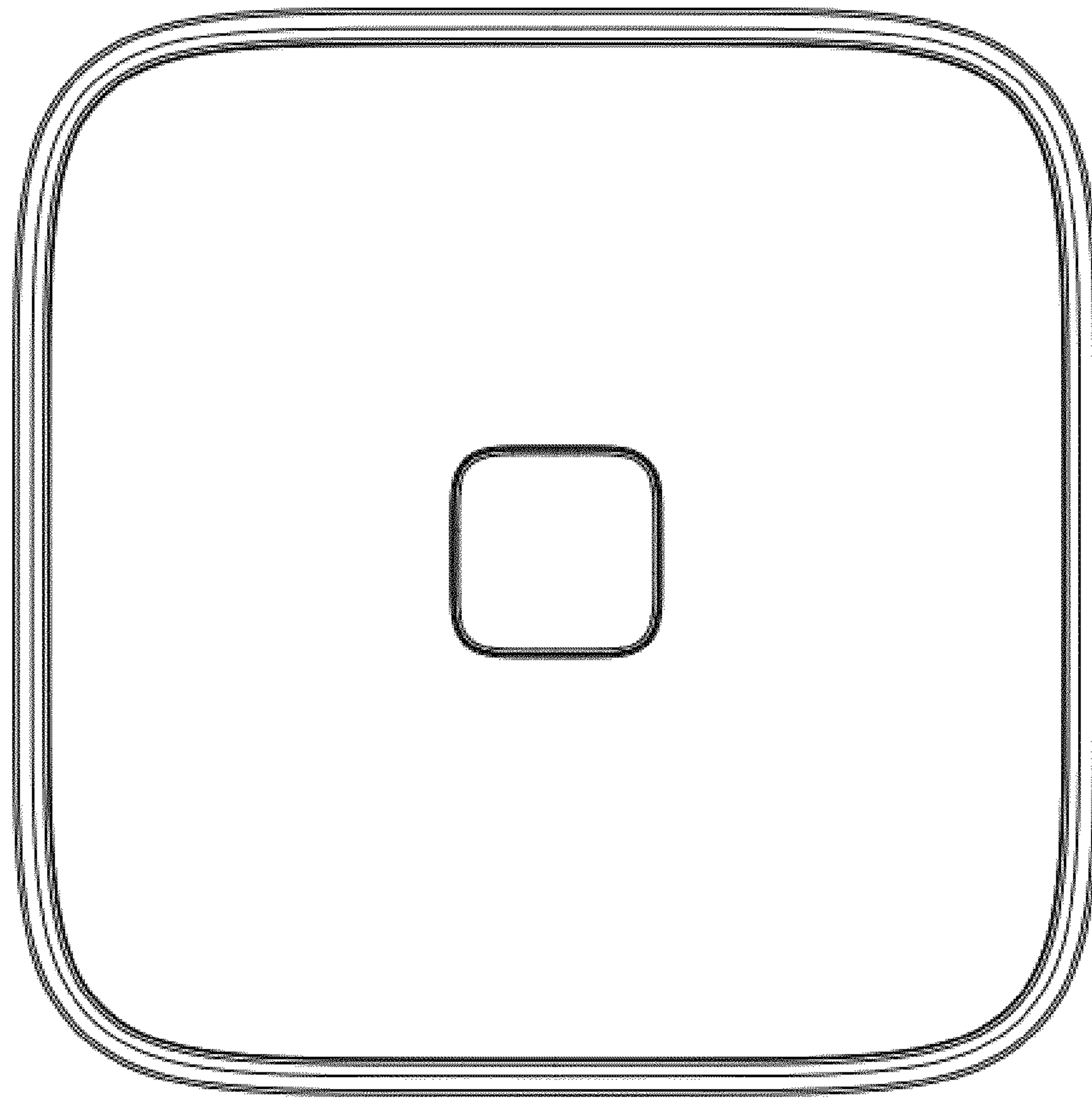


FIG.3

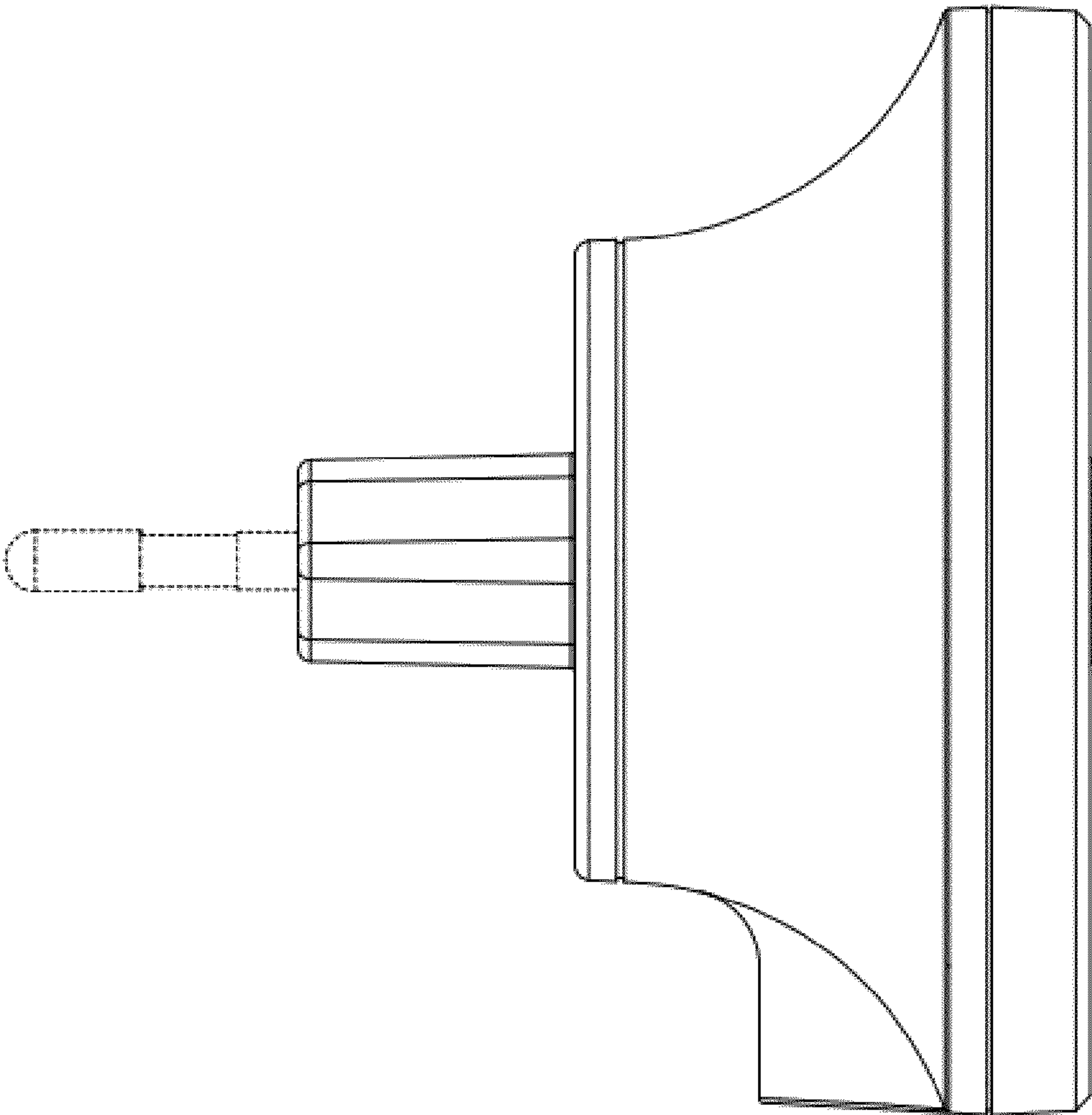


FIG.4

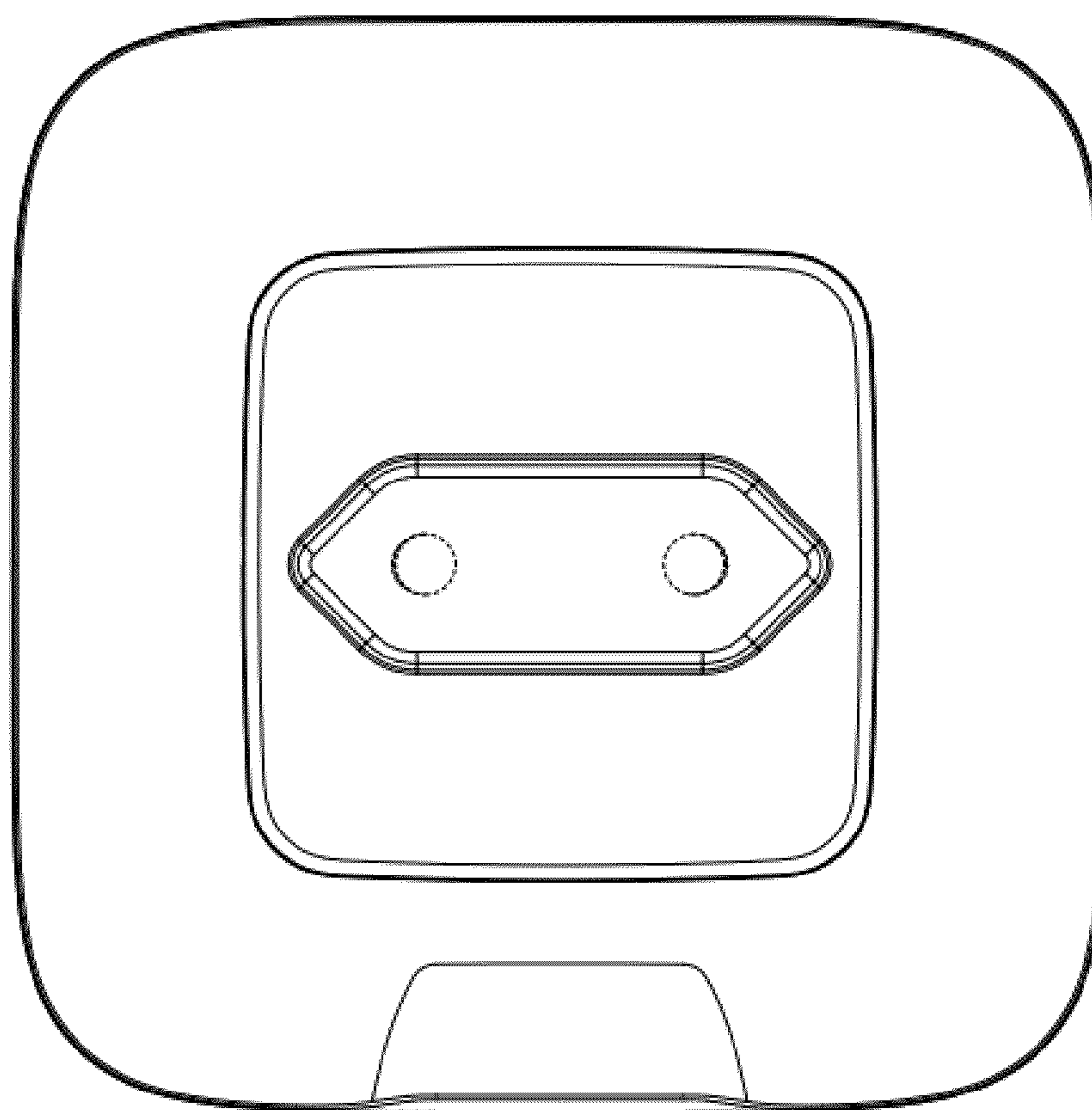


FIG.5

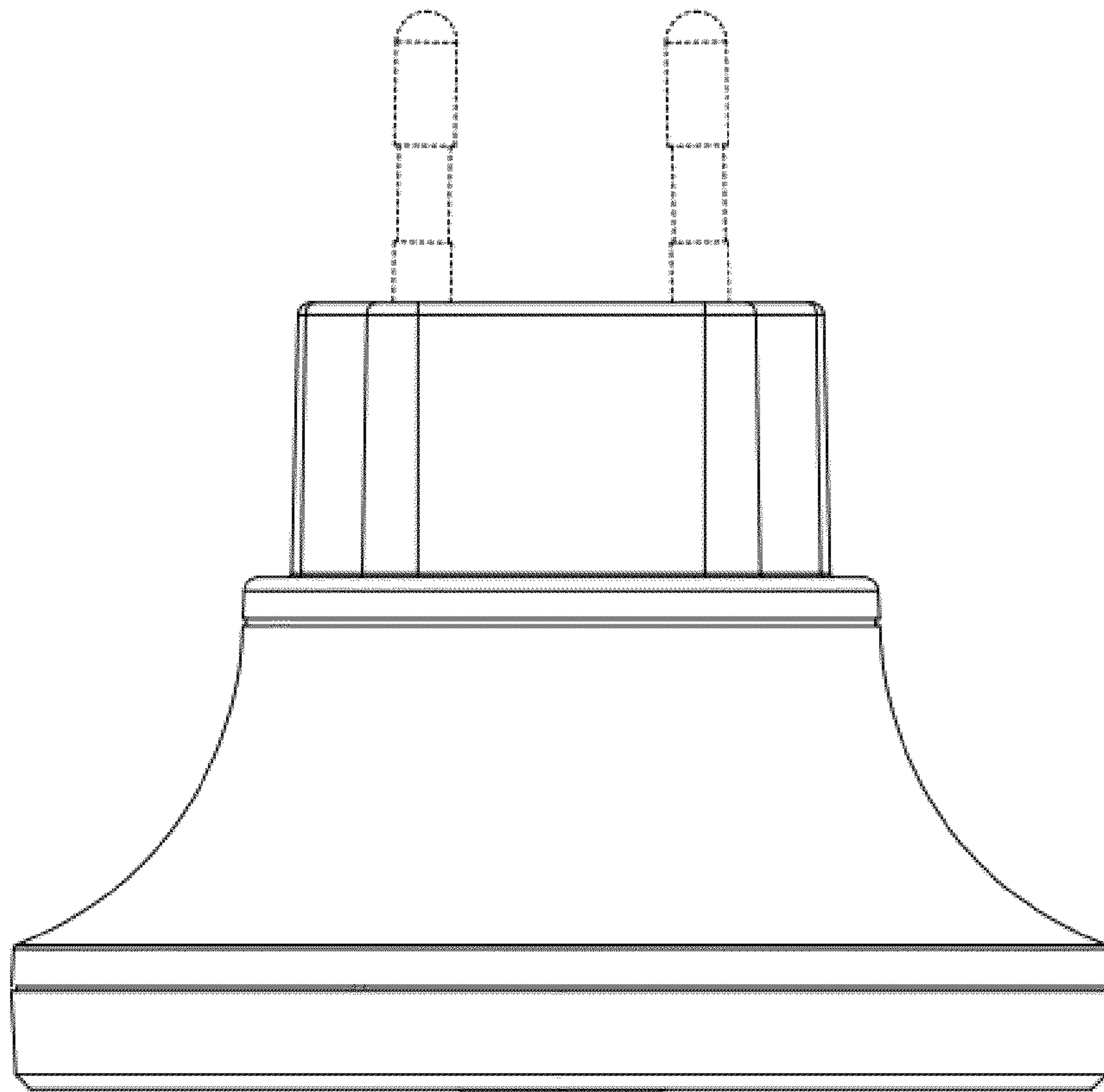


FIG.6

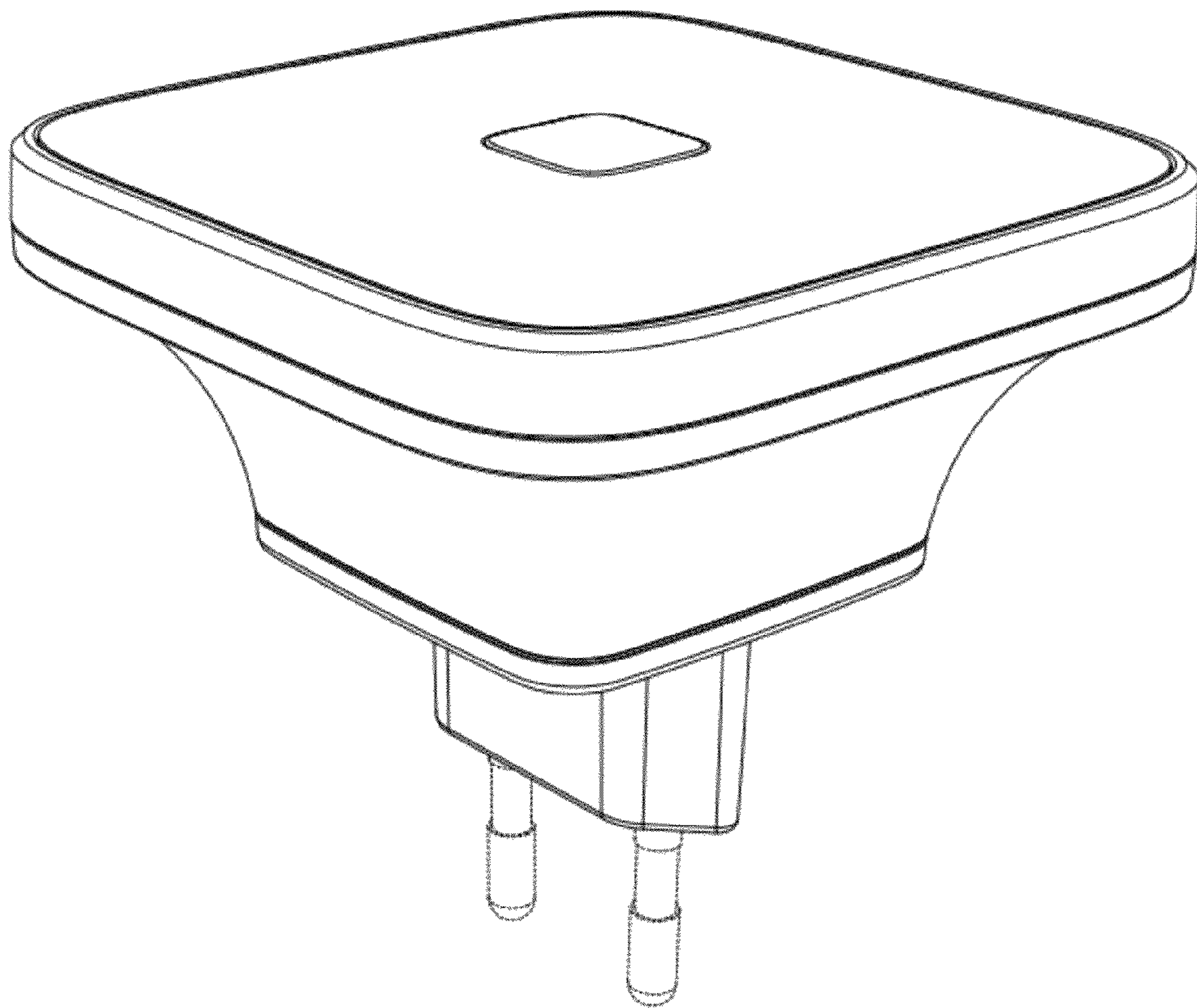


FIG.7