



US00D724582S

(12) **United States Design Patent**
Kim et al.

(10) **Patent No.:** **US D724,582 S**
(45) **Date of Patent:** **** Mar. 17, 2015**

(54) **TABLET COMPUTER**

(71) Applicant: **Samsung Electronics Co., Ltd.**,
Suwon-si (KR)

(72) Inventors: **Jun-Se Kim**, Seoul (KR); **Jung-Hoon Cho**, Seoul (KR)

(73) Assignee: **Samsung Electronics Co., Ltd.**,
Suwon-si (KR)

(**) Term: **14 Years**

(21) Appl. No.: **29/457,594**

(22) Filed: **Jun. 11, 2013**

(30) **Foreign Application Priority Data**

Dec. 12, 2012 (KR) 30-2012-0060021

(51) **LOC (10) Cl.** **14-02**

(52) **U.S. Cl.**
USPC **D14/341**

(58) **Field of Classification Search**
CPC A63H 33/3016; G06F 1/1613; H04M
1/0202; H04M 1/0279; H04M 1/0281; H04M
1/0283

USPC D14/341-347, 137, 138 R, 138 AA,
D14/138 C, 138 G, 496, 203.1, 203.3, 203.4,
D14/203.7, 129, 130, 147, 218, 247, 248,
D14/250, 374, 385, 388, 389, 315-318, 420,
D14/426, 439; D10/65, 104.1; D21/324,
D21/329, 330, 332; 455/556.1, 556.2, 566,
455/575.1, 90.3; 379/433.04, 433.01,
379/433.06, 916; 345/173, 901, 905;
361/679.26, 679.27, 679.3, 679.55,
361/679.56; D6/308, 310; 463/37;
248/917-924; 348/376; D19/26, 59-60

See application file for complete search history.

(56) **References Cited**

U.S. PATENT DOCUMENTS

D117,096 S *	10/1939	Good et al.	D19/52
D350,555 S *	9/1994	Field et al.	D16/221
D390,861 S *	2/1998	Liao	D16/225
D404,761 S *	1/1999	Tarpenning et al.	D14/341
D478,894 S *	8/2003	Oikawa	D14/218
D483,361 S *	12/2003	Yao et al.	D14/374
D532,048 S *	11/2006	Delaney	D19/88
D656,137 S *	3/2012	Chung et al.	D14/341
D675,180 S *	1/2013	Zhang et al.	D14/138 G
D675,613 S *	2/2013	Chu et al.	D14/341
D687,825 S *	8/2013	Lee et al.	D14/341
D687,826 S *	8/2013	Jeon et al.	D14/341
D691,145 S *	10/2013	Nam-Su	D14/440
D692,420 S *	10/2013	McManigal et al.	D14/341
D712,401 S *	9/2014	Lee et al.	D14/341
D714,286 S *	9/2014	Kim et al.	D14/341
D714,784 S *	10/2014	Park	D14/341

* cited by examiner

Primary Examiner — Barbara Fox

Assistant Examiner — Dana K Weiland

(74) *Attorney, Agent, or Firm* — NSIP Law

(57) **CLAIM**

The ornamental design for a tablet computer, as shown and described.

DESCRIPTION

FIG. 1 is a perspective view of a tablet computer, showing our new design;

FIG. 2 is a front view thereof;

FIG. 3 is a rear view thereof;

FIG. 4 is a left-side view thereof;

FIG. 5 is a right-side view thereof;

FIG. 6 is a top plan view thereof; and,

FIG. 7 is a bottom plan view thereof.

The shade lines in the figures show contour and not surface ornamentation. The diagonal lines in FIGS. 1 and 6 represent a reflective surface.

1 Claim, 5 Drawing Sheets

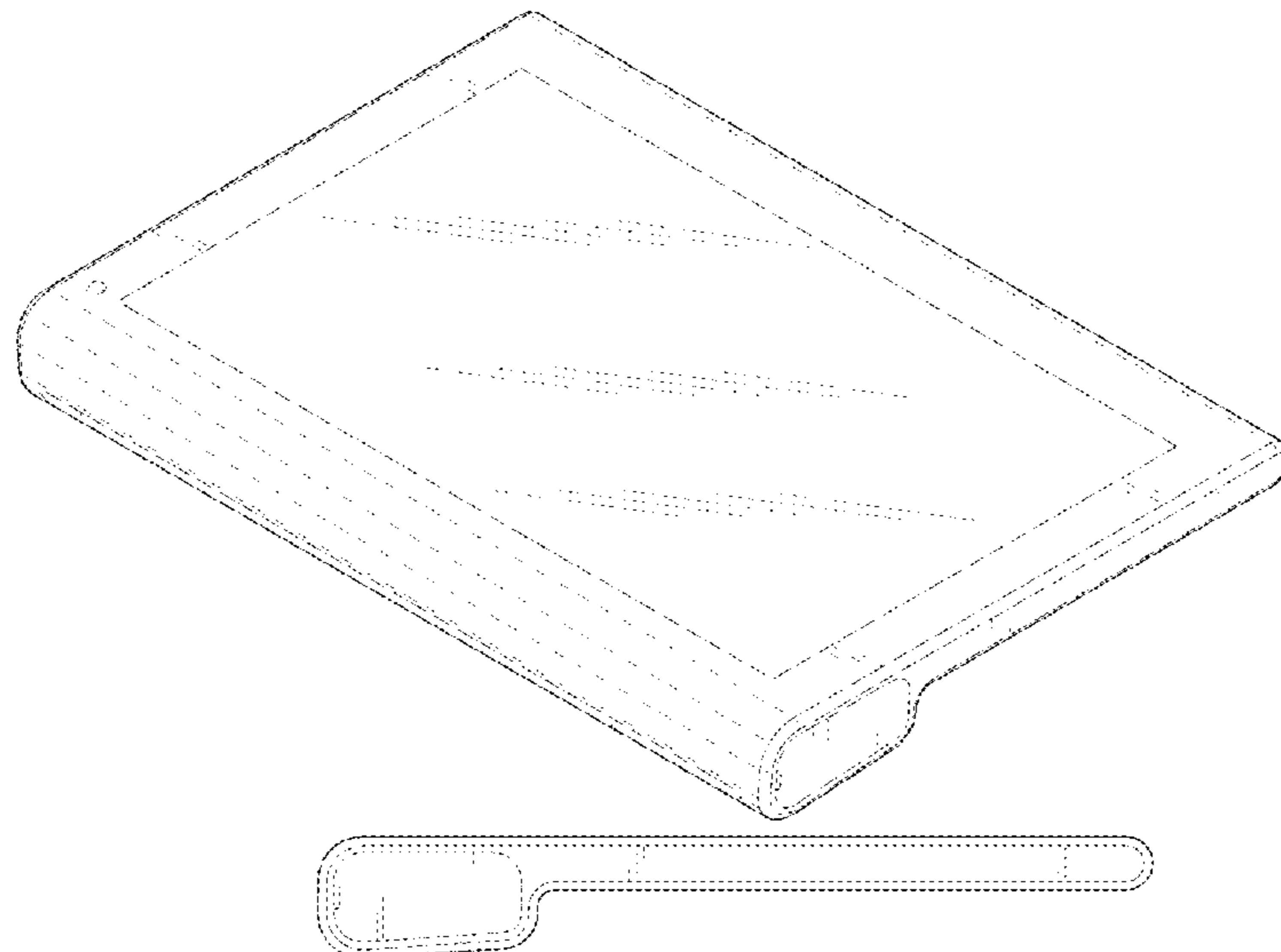


FIG. 1

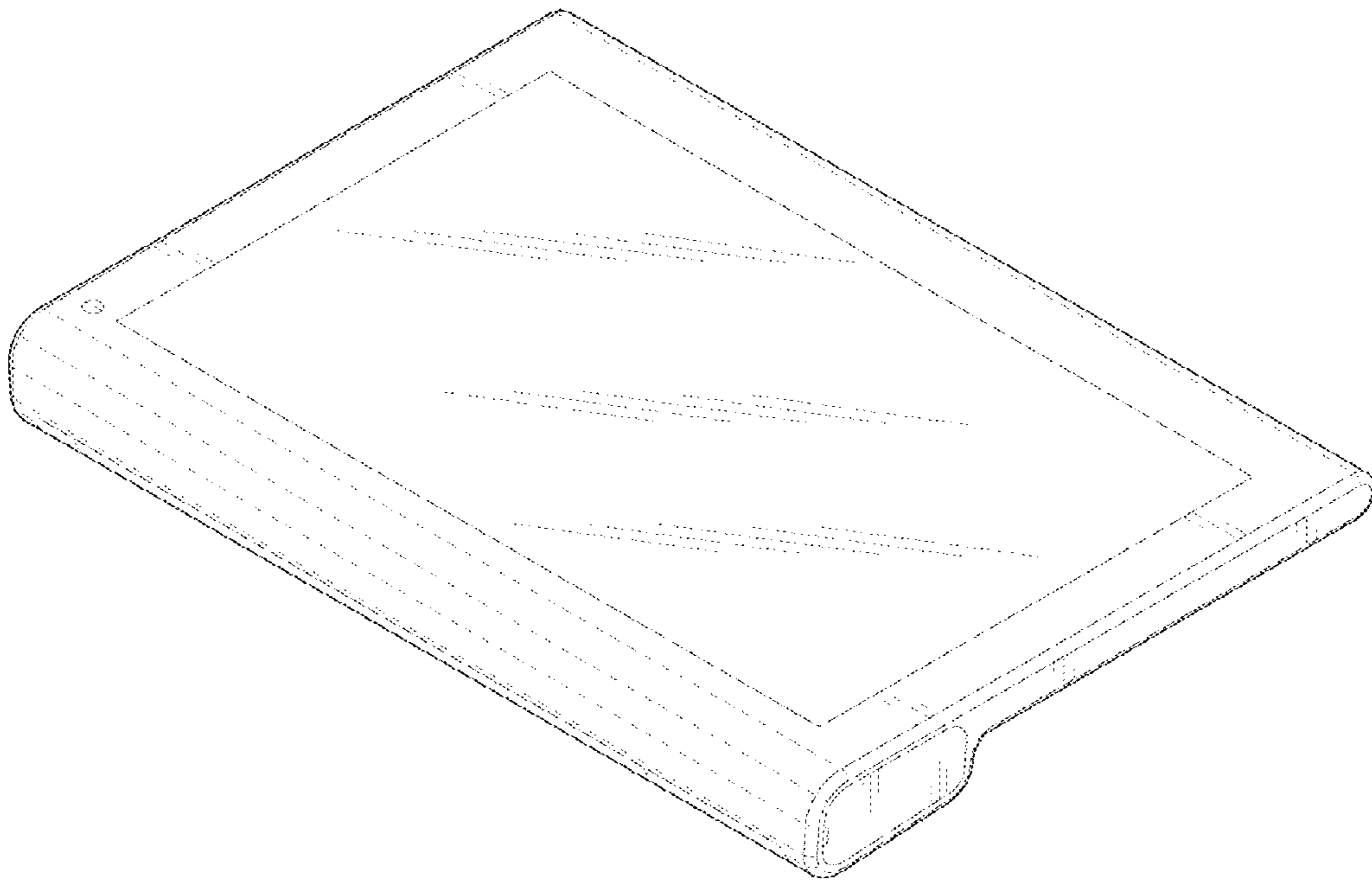


FIG. 2

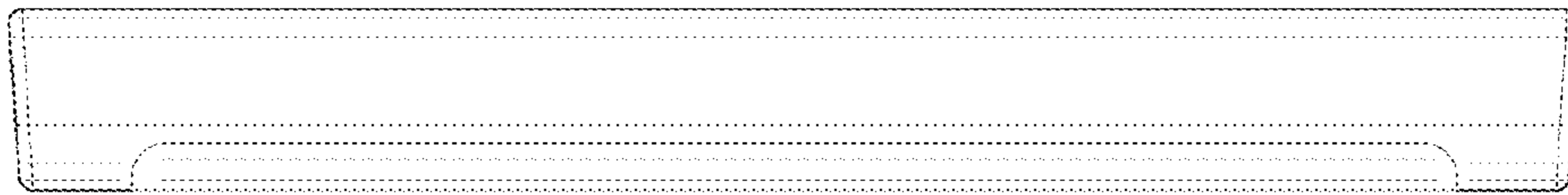


FIG. 3

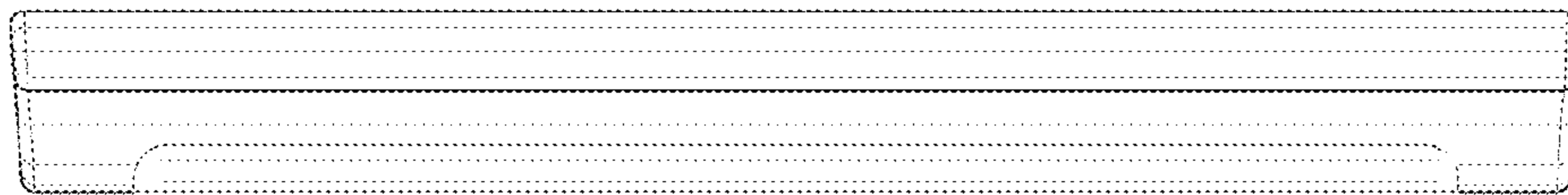


FIG. 4

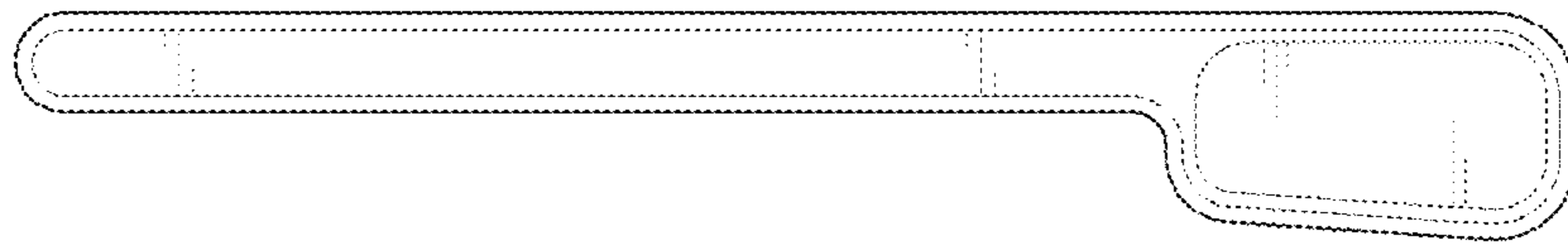


FIG. 5

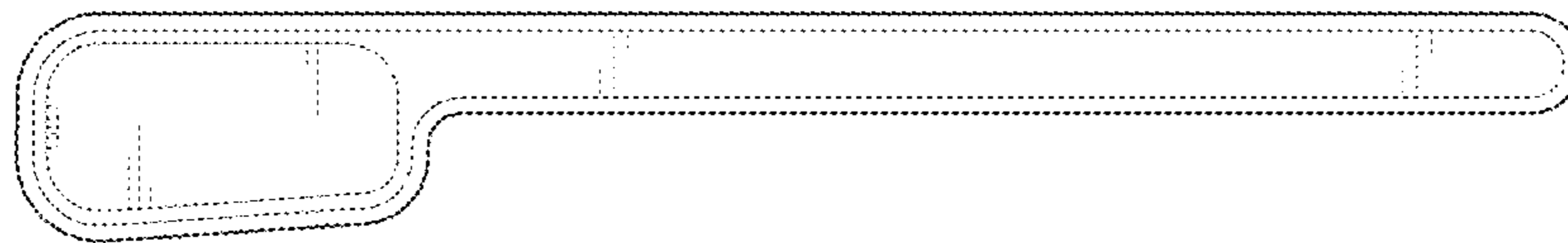


FIG. 6

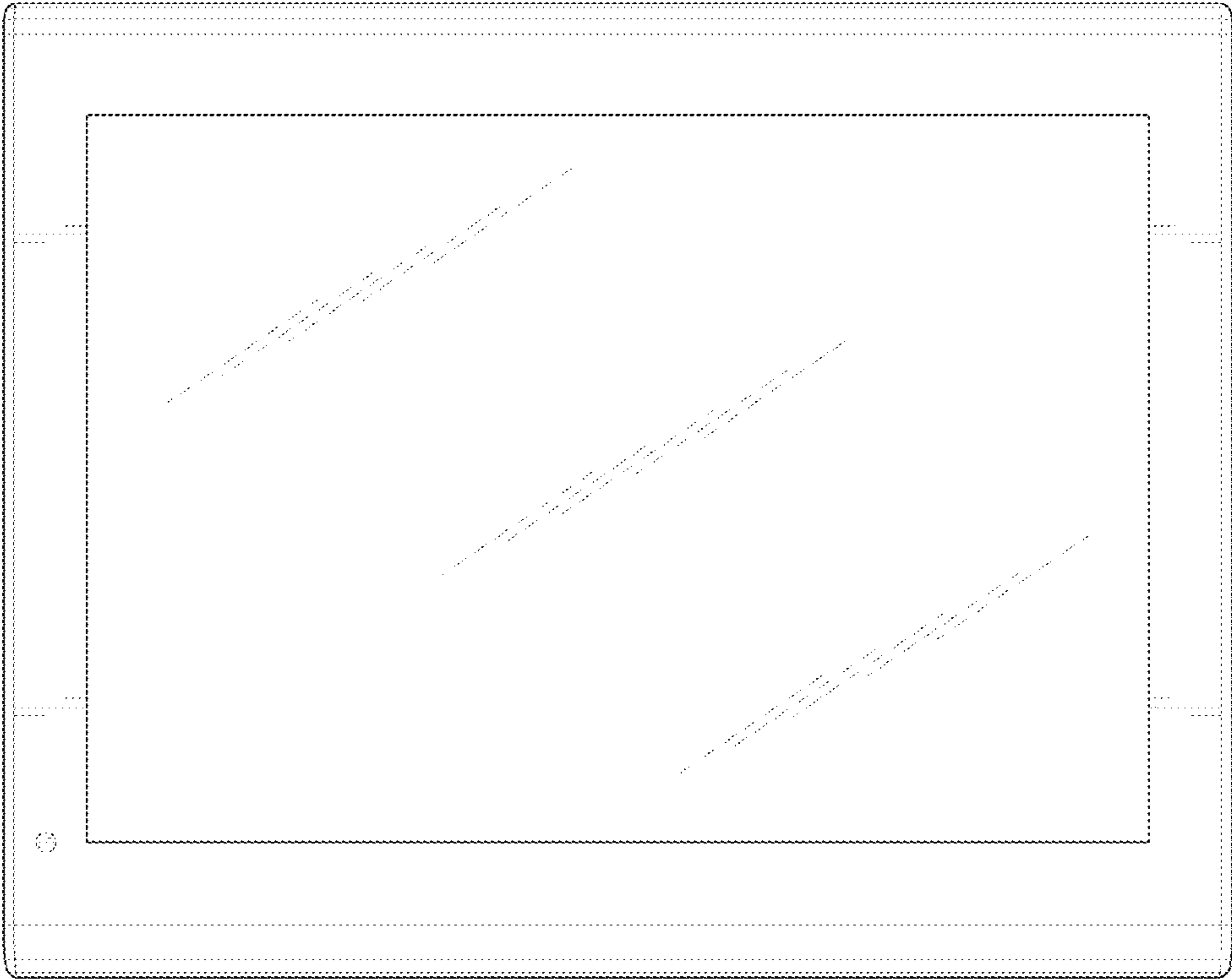


FIG. 7

