



US00D724580S

(12) **United States Design Patent**
Yamazaki et al.

(10) **Patent No.:** **US D724,580 S**
(45) **Date of Patent:** **** Mar. 17, 2015**

(54) **PORTABLE INFORMATION TERMINAL**
(71) Applicant: **Semiconductor Energy Laboratory Co., Ltd.**, Atsugi, Kanagawa-ken (JP)
(72) Inventors: **Shunpei Yamazaki**, Tokyo (JP); **Kensuke Yoshizumi**, Kanagawa (JP); **Hideki Uochi**, Kanagawa (JP); **Yoshiaki Oikawa**, Kanagawa (JP)

D474,963 S * 5/2003 Gersten et al. D9/727
D475,616 S * 6/2003 Lambrecht D9/727
D492,592 S * 7/2004 Palomino, Jr. D9/727
D519,116 S * 4/2006 Tanaka et al. D14/341
D535,631 S * 1/2007 Millora D14/126
D543,850 S * 6/2007 Legros D9/522
D546,186 S * 7/2007 Legros D9/522

(Continued)

(73) Assignee: **Semiconductor Energy Laboratory Co., Ltd.**, Kanagawa-ken (JP)

Yamazaki et al., "Portable Information Terminal", U.S. Appl. No. 29/447,204, filed Mar. 1, 2013, Specification, Drawings.

(**) Term: **14 Years**

Primary Examiner — Barbara Fox

(21) Appl. No.: **29/447,198**

(74) *Attorney, Agent, or Firm* — Nixon Peabody LLP; Jeffrey L. Costellia

(22) Filed: **Mar. 1, 2013**

(57) **CLAIM**

(30) **Foreign Application Priority Data**

We claim, the ornamental design for a portable information terminal, as shown and described.

Sep. 3, 2012 (JP) 2012-021232

(51) **LOC (10) Cl.** **14-02**

(52) **U.S. Cl.**
USPC **D14/341**

(58) **Field of Classification Search**
USPC D14/341–347, 137, 138 R, 138 AA, D14/138 C, 138 G, 496, 203.1, 203.3, 203.4, D14/203.7, 129, 130, 147, 218, 248, 389, D14/388, 426, 420; D10/65, 104.1; D18/6–7; D21/324, 329, 330; 455/556.1, 556.2, 566, 575.1, 90.3; 379/433.04, 433.01, 433.06, 916; 345/173, 901, 905; 361/679.26, 679.3, 361/679.55, 679.56; D9/600–729

See application file for complete search history.

(56) **References Cited**

U.S. PATENT DOCUMENTS

D270,063 S * 8/1983 Ackeret D6/308
D341,315 S * 11/1993 Seymour D9/529
D356,252 S * 3/1995 Thompson D9/729
5,984,553 A * 11/1999 Piscopo et al. 401/82
D438,790 S * 3/2001 Holthaus D9/728

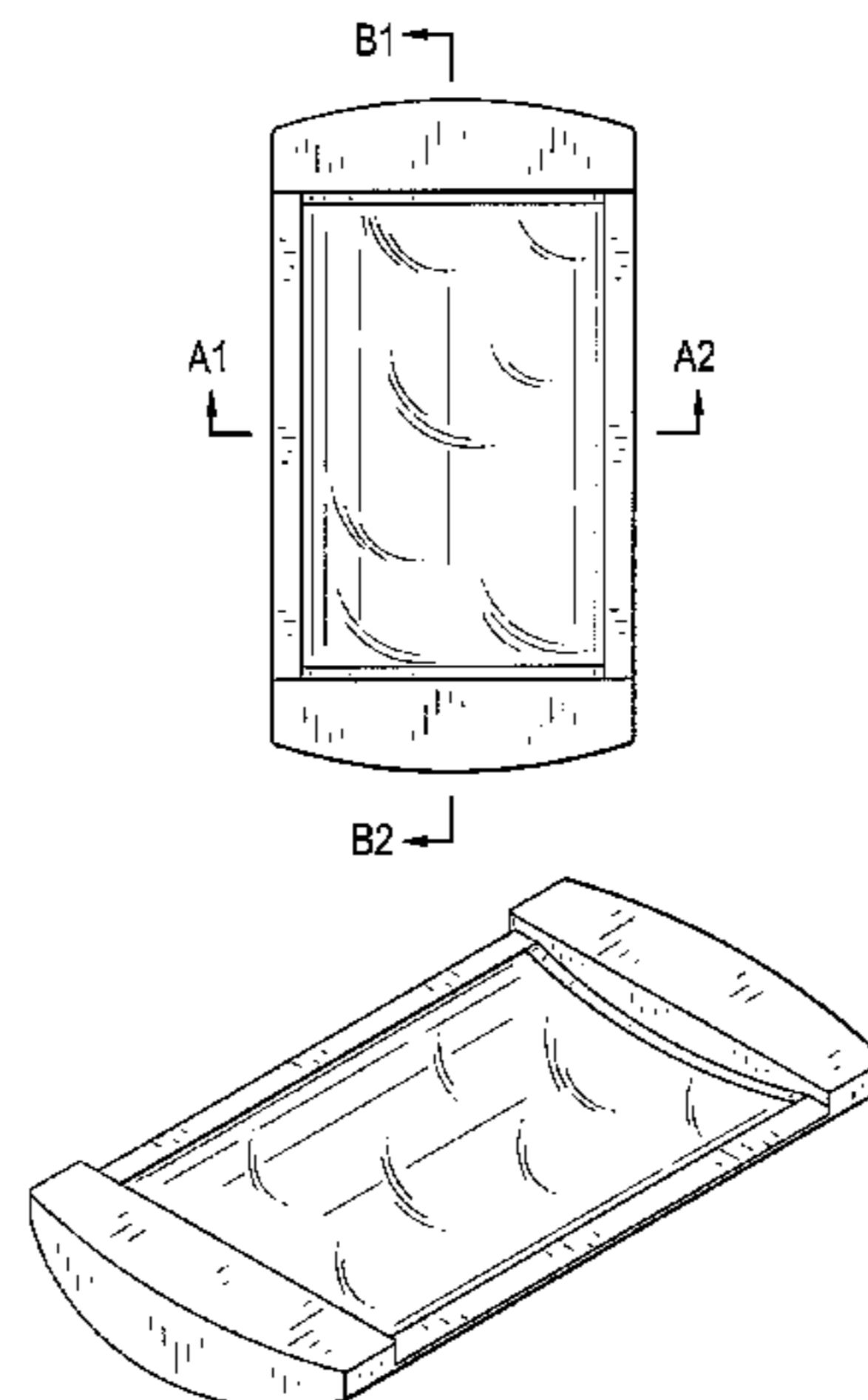
DESCRIPTION

FIG. 1 is a front side view of a portable information terminal showing our new design;
FIG. 2 is a back side view thereof;
FIG. 3 is a left side view thereof;
FIG. 4 is a right side view thereof;
FIG. 5 is a top plan view thereof;
FIG. 6 is a bottom plan view thereof;
FIG. 7 is a sectional view taken from A1-A2 in FIG. 1 with the internal mechanisms omitted;
FIG. 8 is a sectional view taken from B1-B2 in FIG. 1 with the internal mechanisms omitted; and,
FIG. 9 is a diagrammatic perspective view thereof.

The portable information terminal can function as a computer a media reproducing device (e.g., a music player, a movie player, or a game player), a media storage device, a communication device (e.g., a portable telephone), or the like, for example.

The portable information terminal is used in a state in which the portable information terminal includes a concave curved display.

1 Claim, 5 Drawing Sheets



(56)

References Cited

U.S. PATENT DOCUMENTS

D558,197 S * 12/2007 Forester et al. D14/341
D562,151 S * 2/2008 Larocca et al. D9/723
D571,226 S * 6/2008 Bartolucci et al. D9/734
D643,827 S * 8/2011 Lee et al. D14/138 G
D645,010 S * 9/2011 Lee et al. D14/138 G

D649,967 S * 12/2011 Chiu D14/341
D650,702 S * 12/2011 Schriener et al. D9/727
D657,261 S * 4/2012 de Gast D9/711
D681,595 S * 5/2013 Kim D14/138 G
D687,822 S * 8/2013 Grownney et al. D14/341
D700,180 S * 2/2014 Hong D14/341
D700,605 S * 3/2014 Hong D14/341
D703,203 S * 4/2014 Hong D14/341

* cited by examiner

FIG. 1

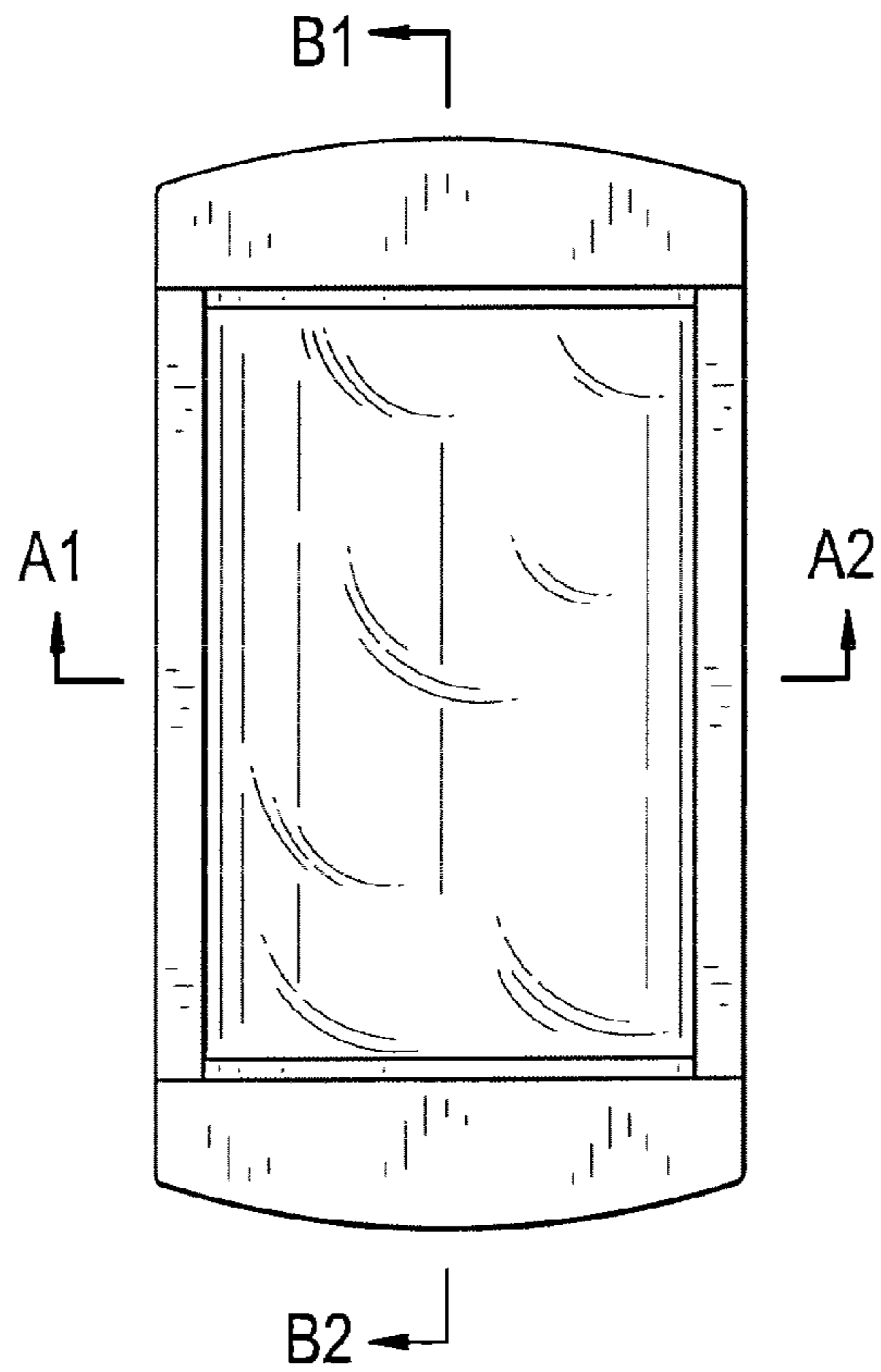


FIG. 2

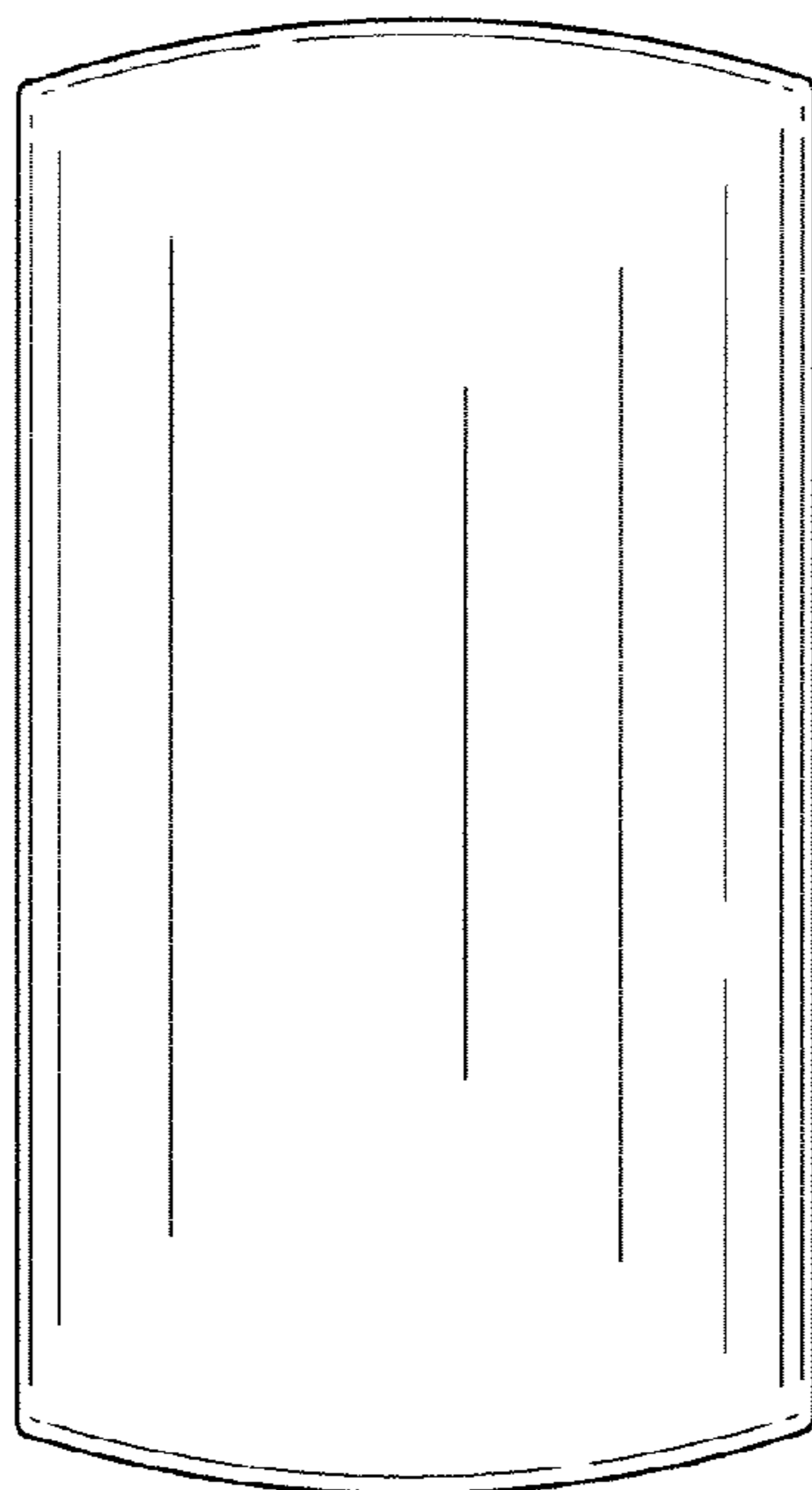


FIG. 3

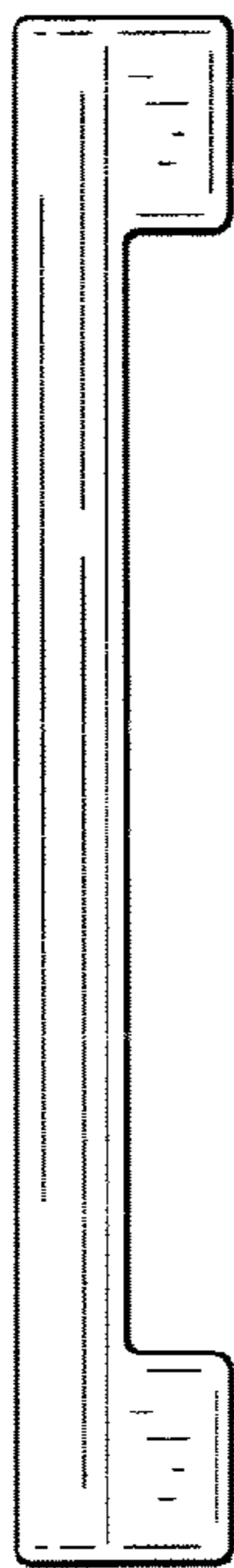


FIG. 4

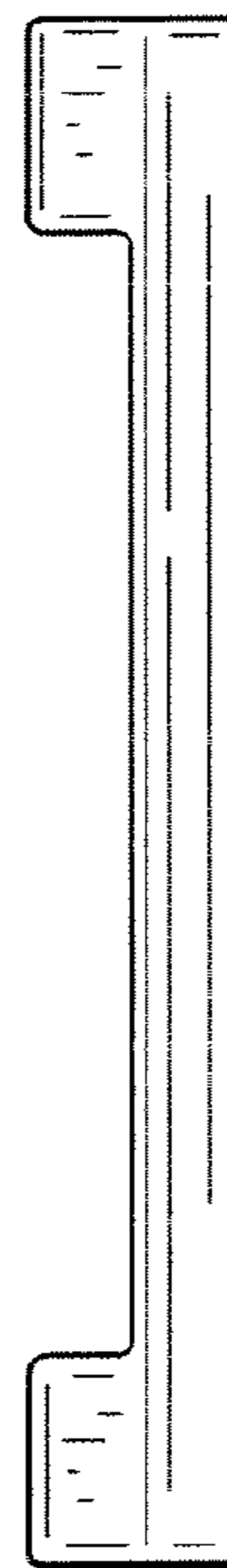


FIG. 5



FIG. 6



FIG. 7

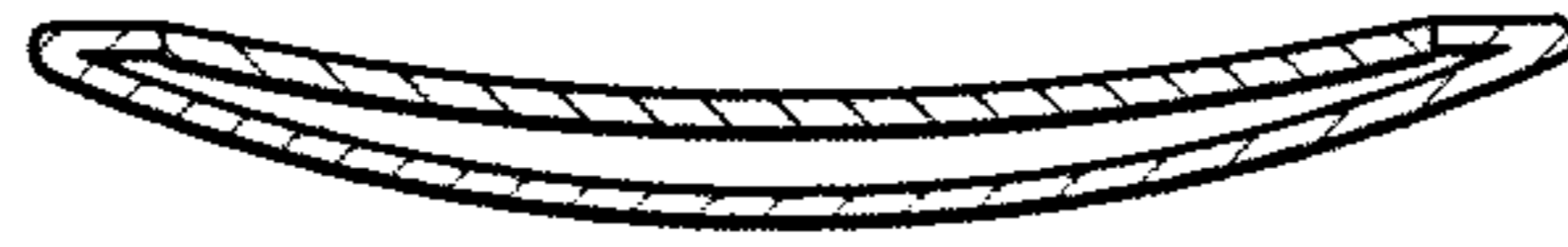


FIG. 8

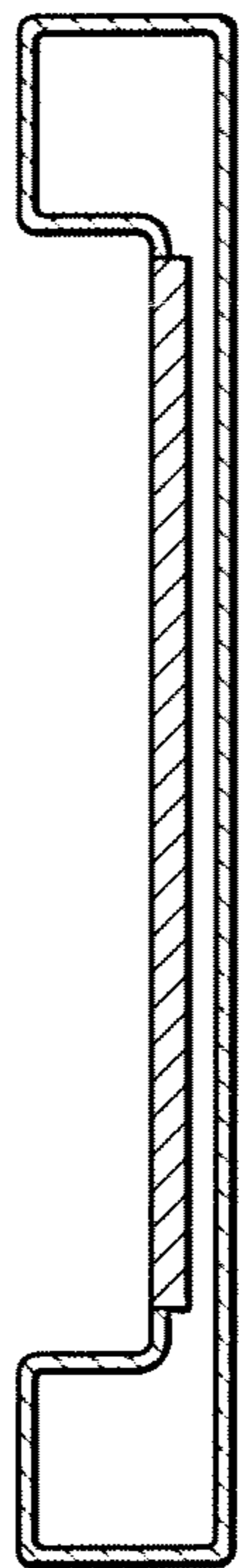


FIG. 9

