



US00D724579S

(12) **United States Design Patent**
Moradian

(10) **Patent No.:** **US D724,579 S**
(45) **Date of Patent:** **** Mar. 17, 2015**

(54) **ELECTRONIC DEVICE**
(71) Applicant: **Payam Moradian**, Los Angeles, CA
(US)
(72) Inventor: **Payam Moradian**, Los Angeles, CA
(US)
(**) Term: **14 Years**
(21) Appl. No.: **29/446,575**
(22) Filed: **Feb. 25, 2013**
(51) **LOC (10) Cl.** **14-02**
(52) **U.S. Cl.**
USPC **D14/341**
(58) **Field of Classification Search**
CPC ... H04M 1/00; H04M 11/066; H04M 1/2478;
H04M 1/72519; H04M 2201/38; H04M
2250/22; G06F 15/00
USPC D14/341-347, 137, 138 R, 138 AA,
D14/138 C, 138 G, 496, 203.1, 203.3, 203.4,
D14/203.7, 129, 130, 147, 218, 248, 389,
D14/388, 426, 420; D10/65, 104.1;
D18/6-7; D21/324, 329, 330;
455/556.1, 556.2, 566, 575.1, 90.3;
379/433.04, 433.01, 433.06, 916;
345/173, 901, 905; 361/679.26, 679.3,
361/679.55, 679.56
See application file for complete search history.

D676,854 S * 2/2013 Hsu et al. D14/447
D684,630 S * 6/2013 Pham D19/91
D685,347 S * 7/2013 Szymanski et al. D14/214
D685,778 S * 7/2013 Fahrendorff et al. D14/250
D690,305 S * 9/2013 Wen D14/440
D695,287 S * 12/2013 Chang et al. D14/315
D695,735 S * 12/2013 Kitchen et al. D14/341
8,605,433 B2 * 12/2013 Chiang et al. 361/679.59
D704,200 S * 5/2014 Rayner D14/447
D707,683 S * 6/2014 Nam-Su D14/440
2003/0153355 A1 8/2003 Warren
2006/0160567 A1 7/2006 Parivash
2010/0309617 A1 * 12/2010 Wang et al. 361/679.01

OTHER PUBLICATIONS

<http://www.asus.com/Tablet_Mobile/PadFone/>.
<http://reviews.cnet.com/tablets/asus-padfone-infinity/4505-3126_7-35619201.html>.
Office Action for U.S. Appl. No. 13/776,722 Dated Oct. 3, 2014.

* cited by examiner

Primary Examiner — Barbara Fox

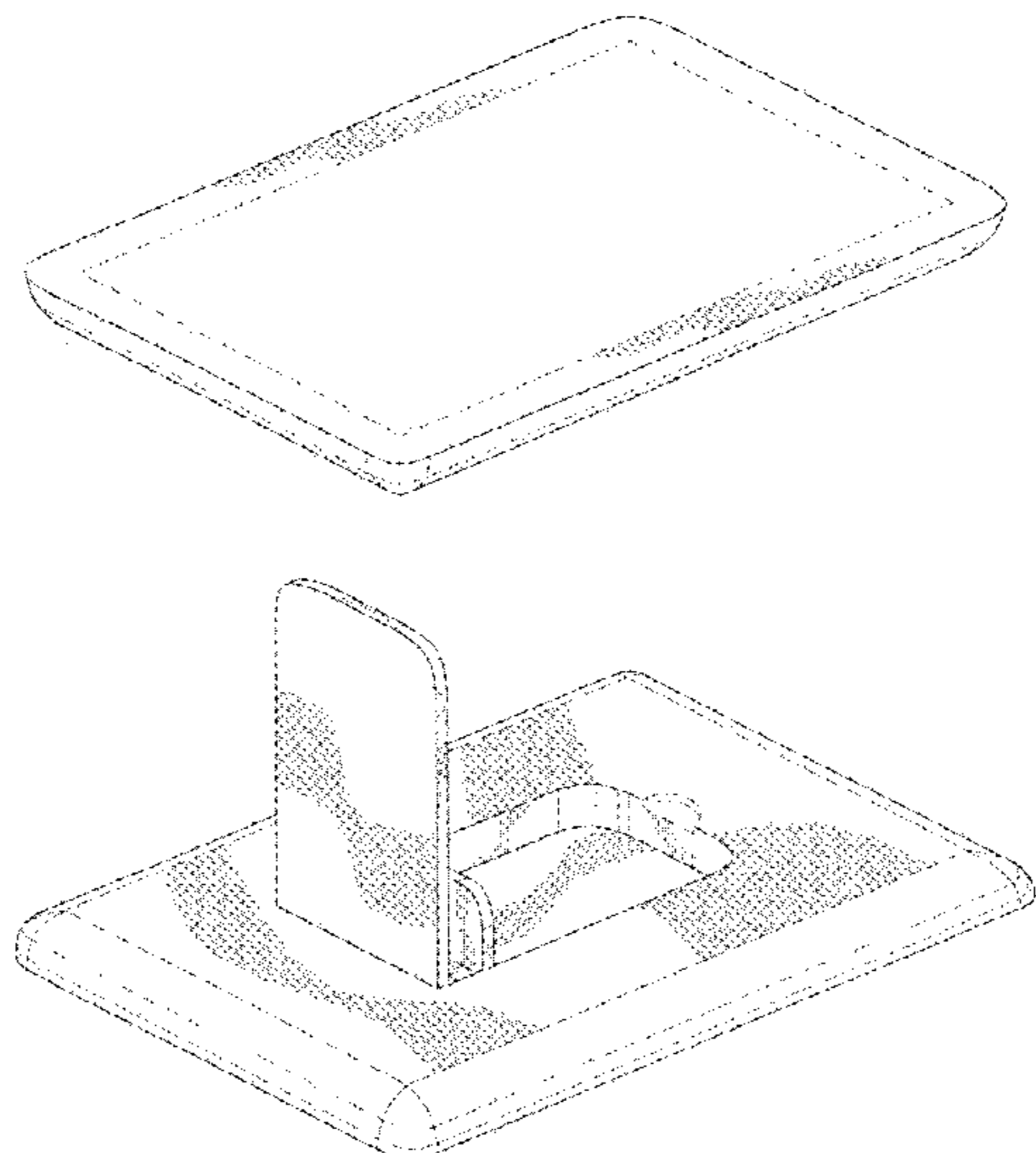
(57) **CLAIM**
The ornamental design for an electronic device, as shown and described.

DESCRIPTION

FIG. 1 is a front perspective view of an electronic device showing my new design.
FIG. 2 is a back perspective view thereof, showing a rotating member in an open position.
FIG. 3 is a right side view thereof.
FIG. 4 is a left side view thereof.
FIG. 5 is a top side view thereof.
FIG. 6 is a front view thereof.
FIG. 7 is a back view thereof; and,
FIG. 8 is back perspective view of the electronic device, showing the rotating member in a closed position.

1 Claim, 5 Drawing Sheets

(56) **References Cited**
U.S. PATENT DOCUMENTS
D164,483 S * 9/1951 Flannery D19/91
D276,734 S * 12/1984 Landstrom D19/91
D438,849 S * 3/2001 Adachi et al. D14/126
D513,008 S * 12/2005 Takizawa et al. D14/447
7,299,580 B2 * 11/2007 Wang et al. 40/719
D590,404 S * 4/2009 Kim et al. D14/447
D636,373 S * 4/2011 Miu D14/170



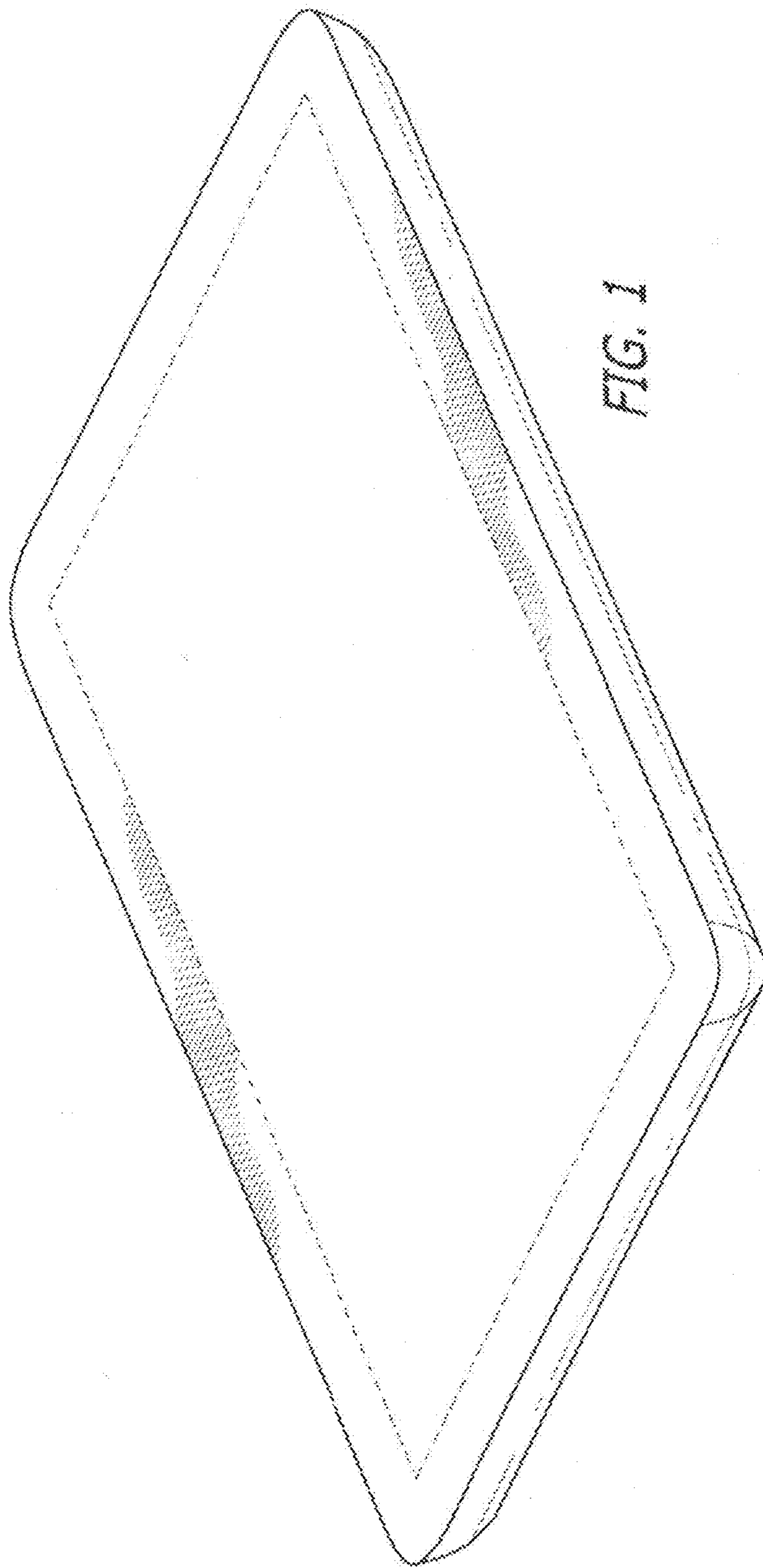


FIG. 1

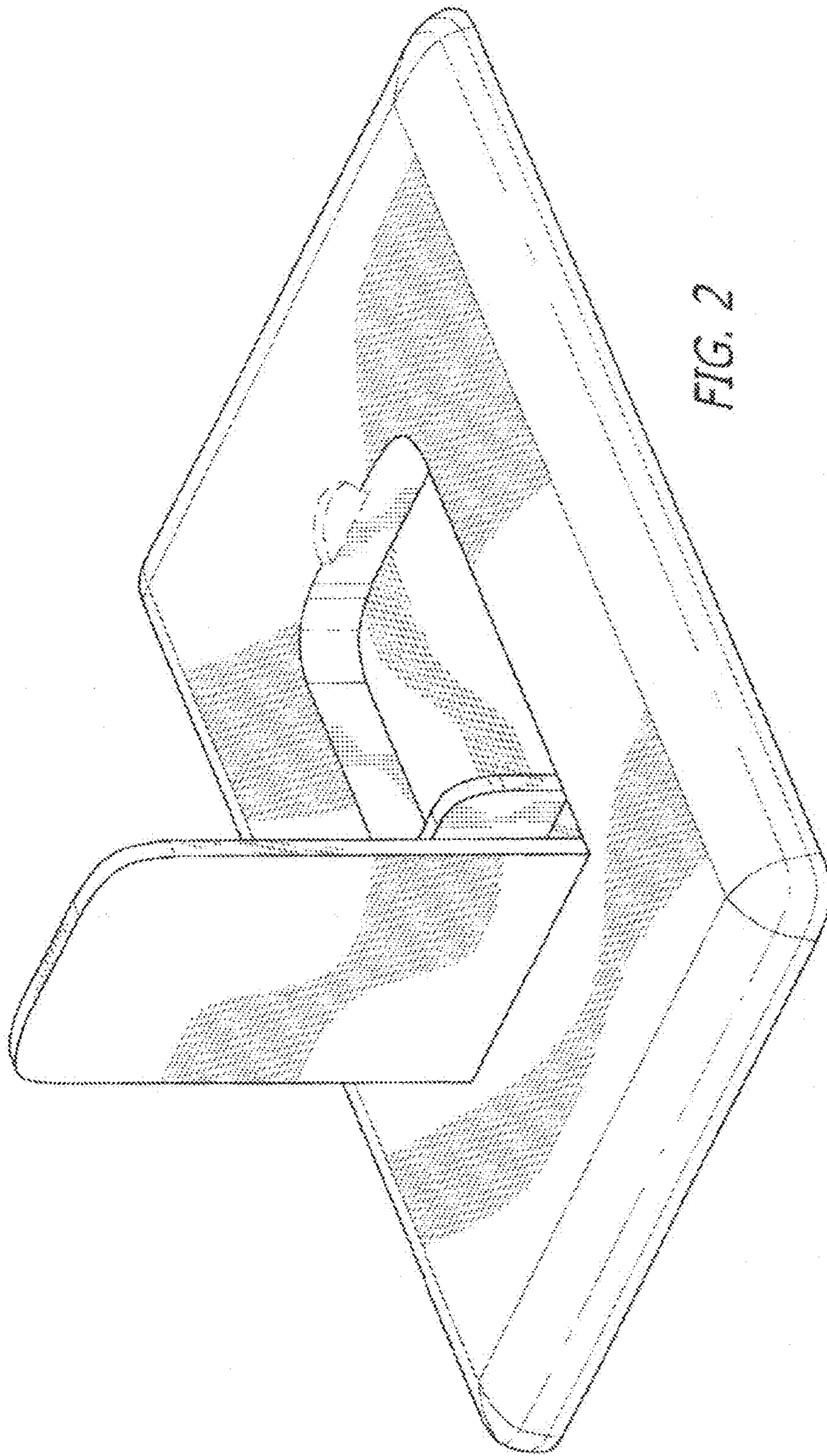


FIG. 2

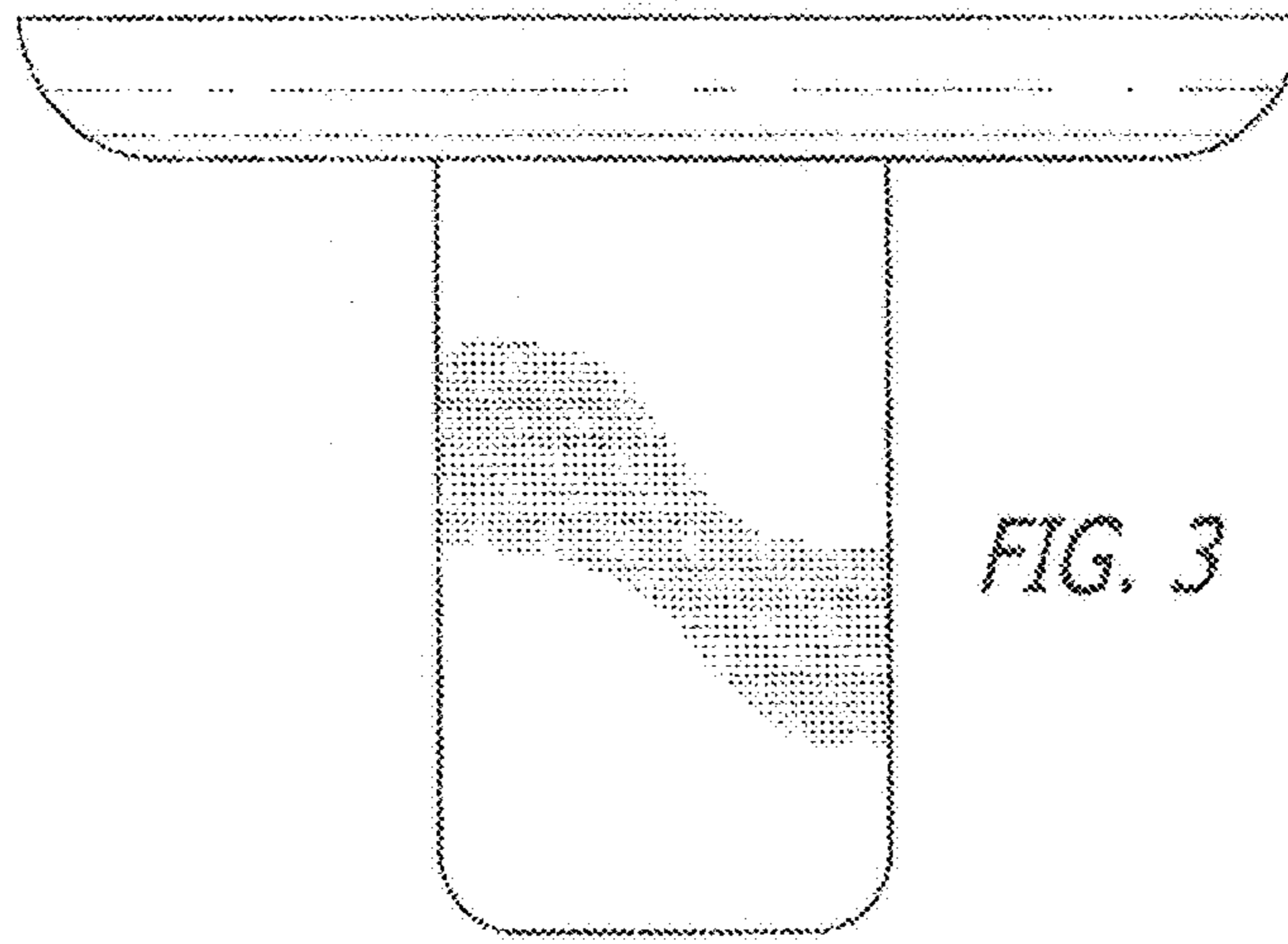


FIG. 3

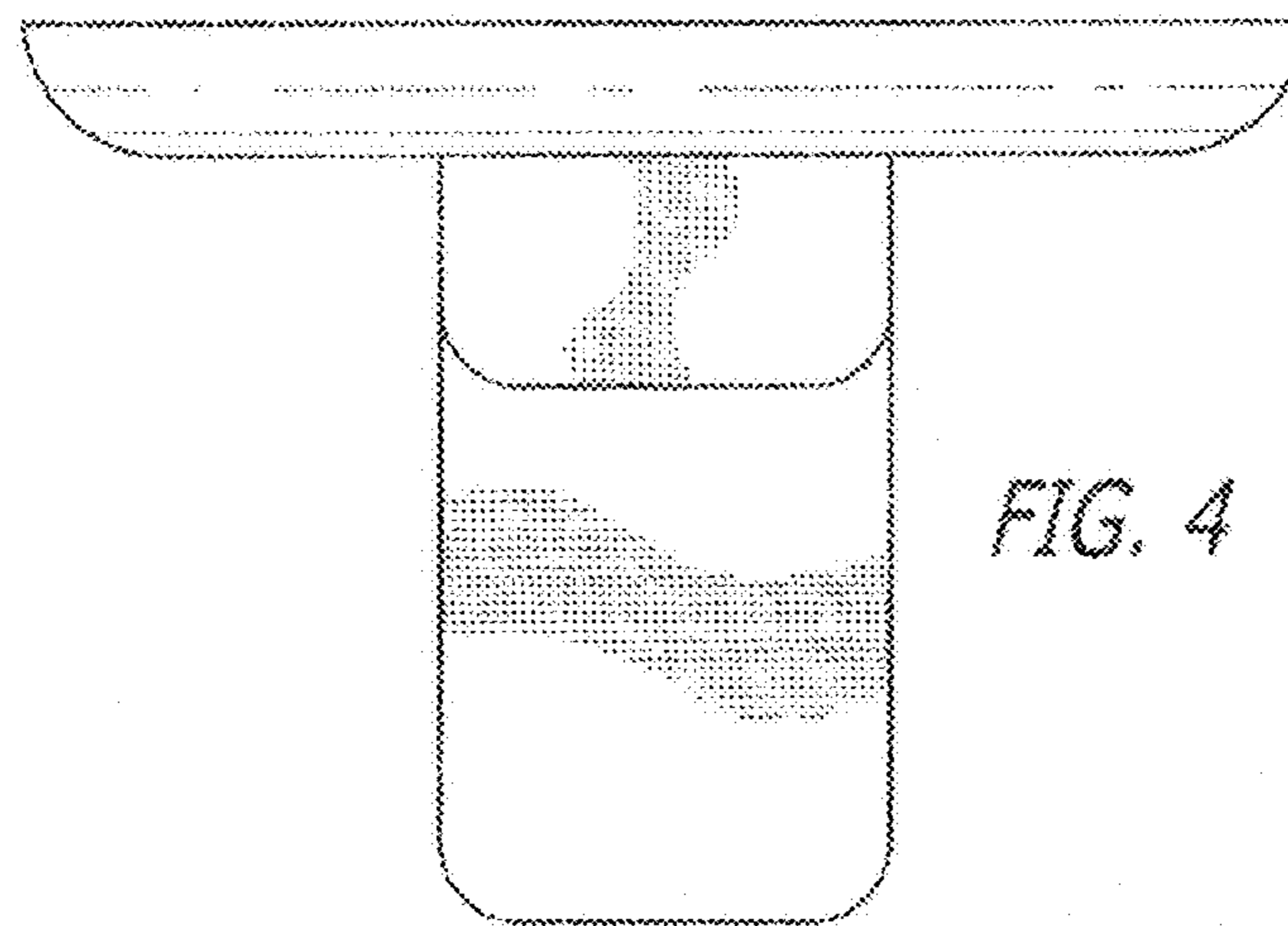


FIG. 4

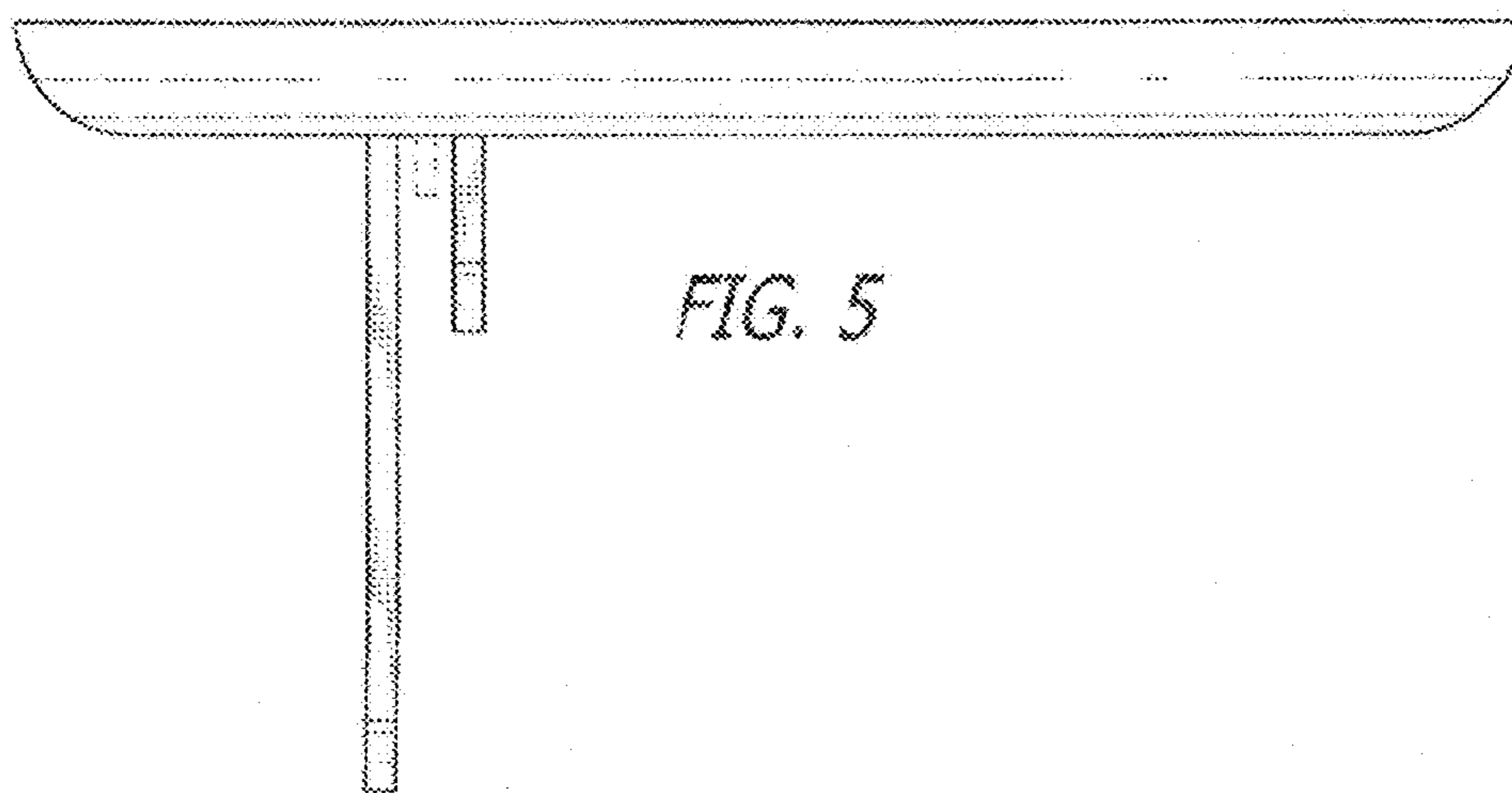


FIG. 5

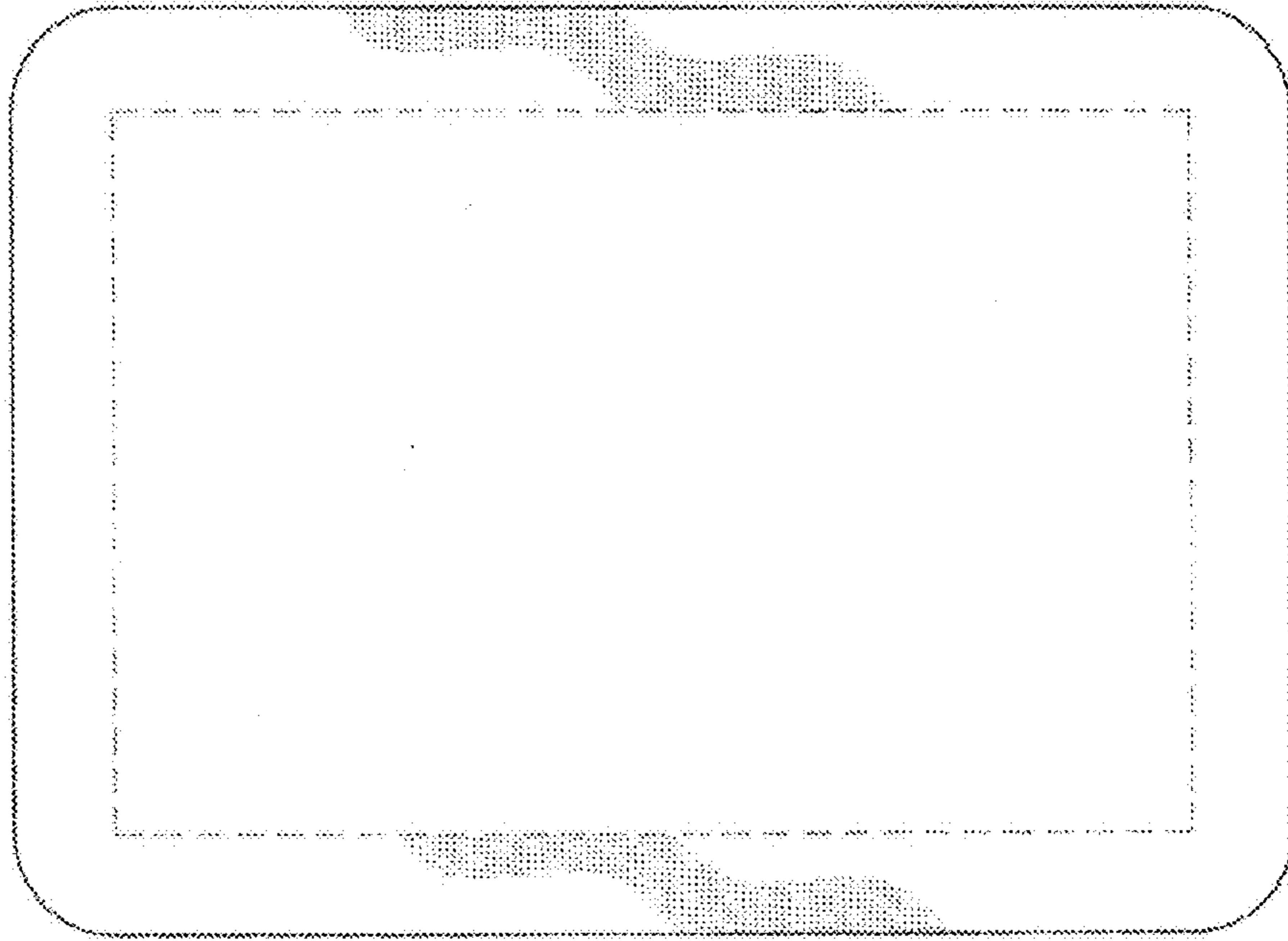


FIG. 6

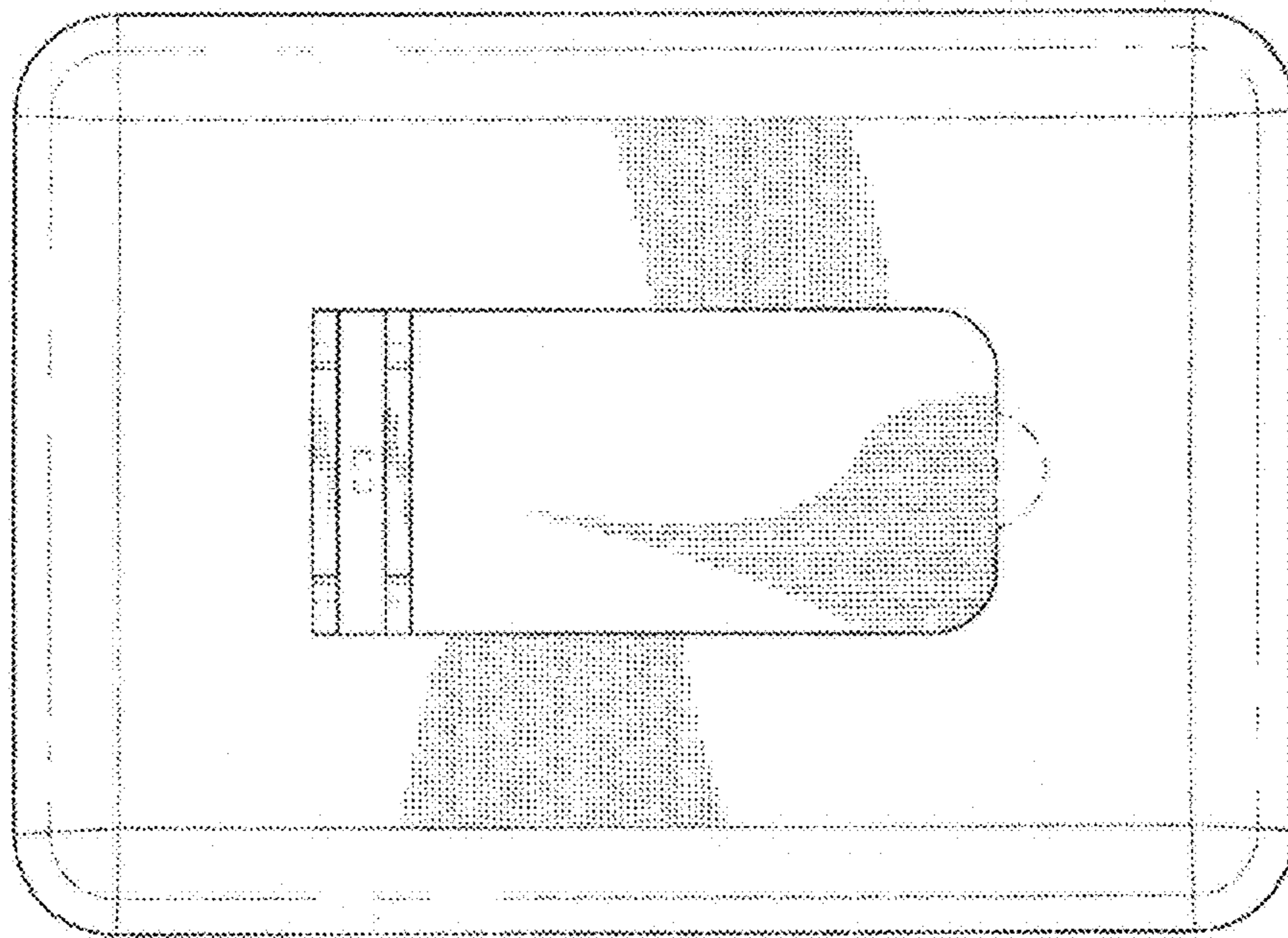


FIG. 7

