

US00D724572S

(12) **United States Design Patent**
Wildner

(10) **Patent No.:** **US D724,572 S**
(45) **Date of Patent:** **** Mar. 17, 2015**

(54) **CASE FOR A PORTABLE ELECTRONIC DEVICE**

(71) Applicant: **HTC Corporation**, Taoyuan County (TW)

(72) Inventor: **Bernhard Wildner**, San Francisco, CA (US)

(73) Assignee: **HTC Corporation**, Taoyuan (TW)

(**) Term: **14 Years**

(21) Appl. No.: **29/445,157**

(22) Filed: **Feb. 8, 2013**

(51) **LOC (10) Cl.** **14-03**

(52) **U.S. Cl.**
USPC **D14/250**

(58) **Field of Classification Search**

CPC G06F 2200/1632; G06F 1/1656; G06F 1/1632; G06F 1/1626; G06F 2200/1633
USPC D14/138 AD, 138 C, 138 G, 203.7, 230, D14/238.1, 240, 247, 248, 250, 253, 341, D14/346, 356, 439, 440, 447, 496; D13/103, 107, 108, 119; D3/201, 218, D3/247, 269, 273, 301, 303; 206/305, 320; 361/679.56, 679.3, 816; 455/575.1, 455/575.8

See application file for complete search history.

(56) **References Cited**

U.S. PATENT DOCUMENTS

7,612,997	B1 *	11/2009	Diebel et al.	361/679.56
D626,540	S *	11/2010	Brown et al.	D14/250
D650,810	S *	12/2011	Lemelman et al.	D14/496
D653,202	S *	1/2012	Hasbrook et al.	D13/103
D676,432	S *	2/2013	Hasbrook et al.	D14/250
D691,575	S *	10/2013	Park	D14/138 AD
D692,405	S *	10/2013	Lee	D14/138 AD
D695,255	S *	12/2013	Kim	D14/138 G
2012/0211382	A1 *	8/2012	Rayner	206/320

FOREIGN PATENT DOCUMENTS

JP D1469757 5/2013
TW D125581 10/2008

OTHER PUBLICATIONS

“Office Action of Taiwan Counterpart Application”, issued on Oct. 23, 2013, p. 1-p. 3.

* cited by examiner

Primary Examiner — Barbara Fox

Assistant Examiner — Chelsea Sealey

(74) *Attorney, Agent, or Firm* — Jianq Chyun IP Office

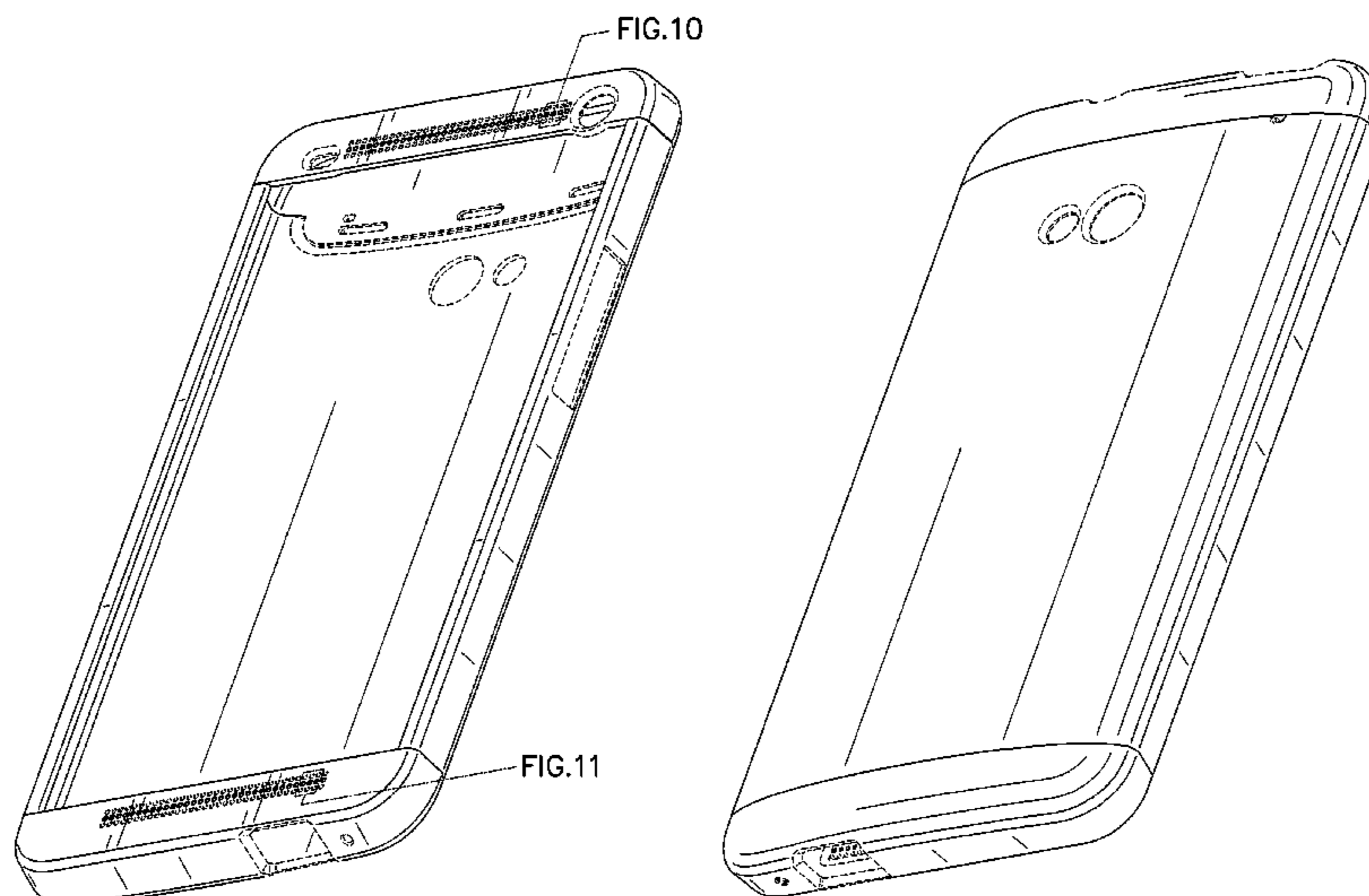
(57) **CLAIM**

The ornamental design for a case for a portable electronic device, as shown and described.

DESCRIPTION

FIG. 1 is a perspective view of a case for a portable electronic device showing my new design;
FIG. 2 is another perspective view thereof;
FIG. 3 is a front view thereof;
FIG. 4 is a rear view thereof;
FIG. 5 is a left view thereof;
FIG. 6 is a right view thereof;
FIG. 7 is a top view thereof;
FIG. 8 is a bottom view thereof;
FIG. 9 is an exploded perspective view thereof;
FIG. 10 is a partial enlarged view of an upper portion of FIG. 1; and,
FIG. 11 is a partial enlarged view of a lower portion of FIG. 1.
The dash-dash broken lines represent portions of the case for a portable electronic device that form no part of the claimed design. The dot-dash broken lines in FIGS. 1, 10 and 11 define the bounds of the partial enlarged views and form no part thereof.

1 Claim, 8 Drawing Sheets



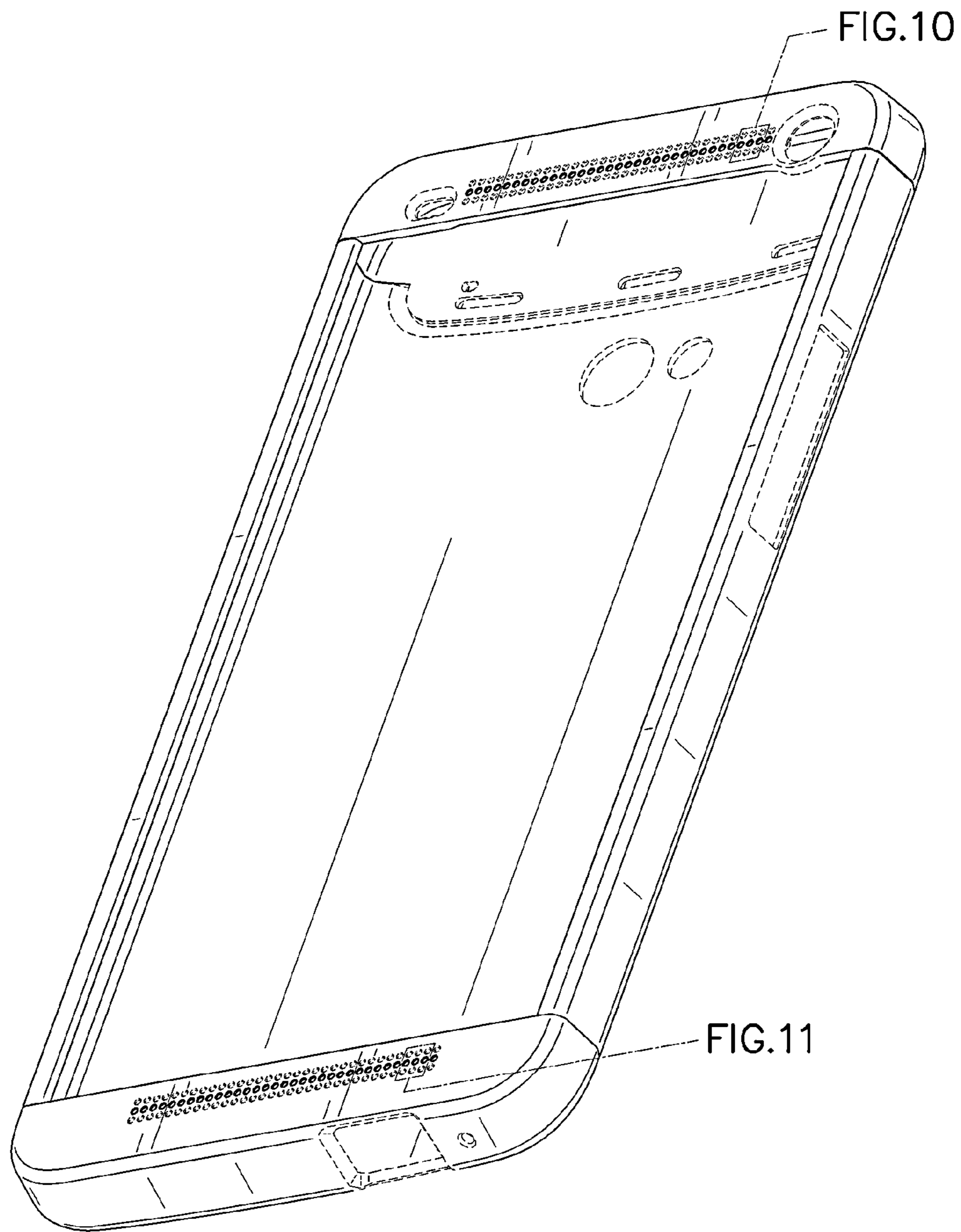


FIG. 1

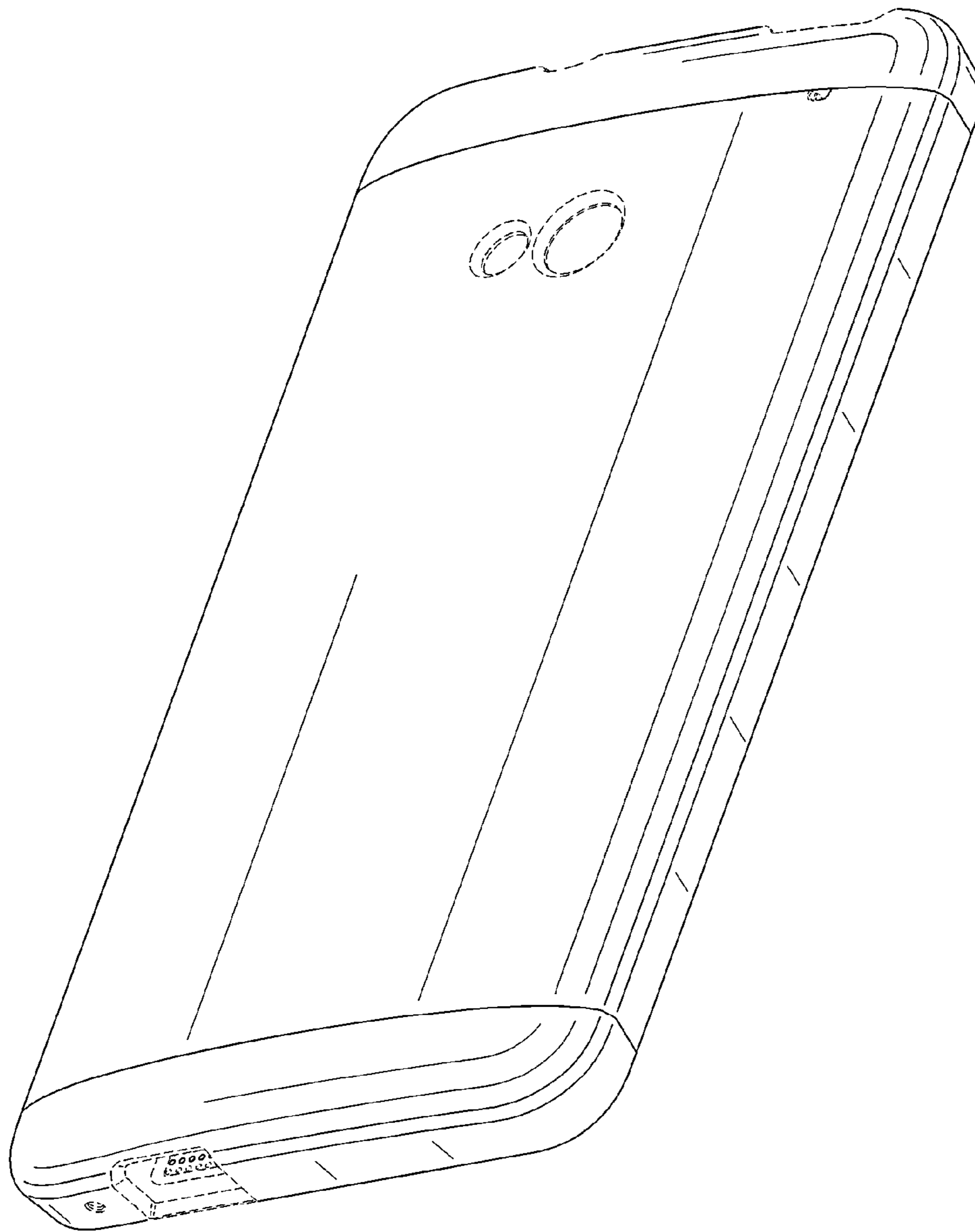


FIG. 2

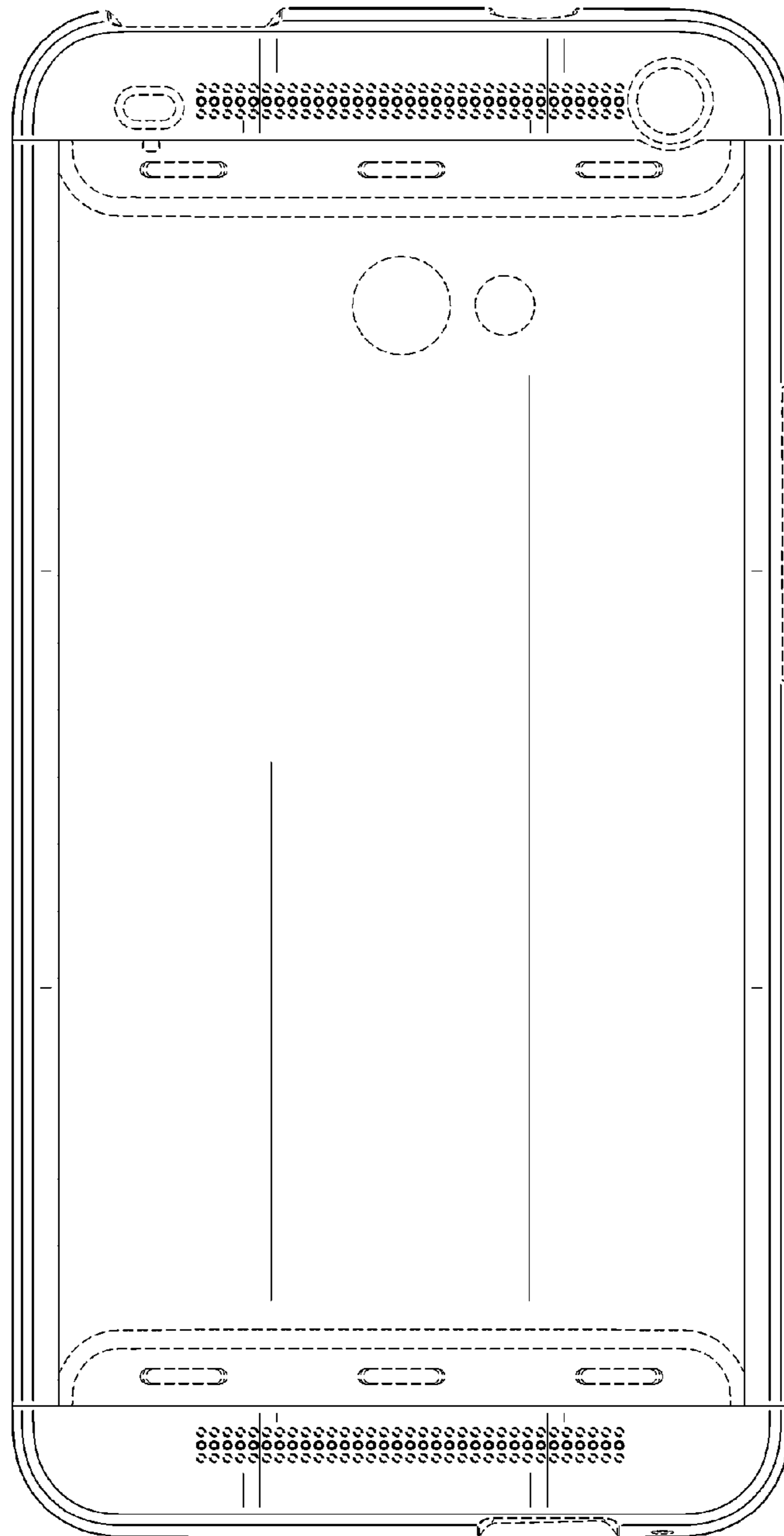


FIG. 3

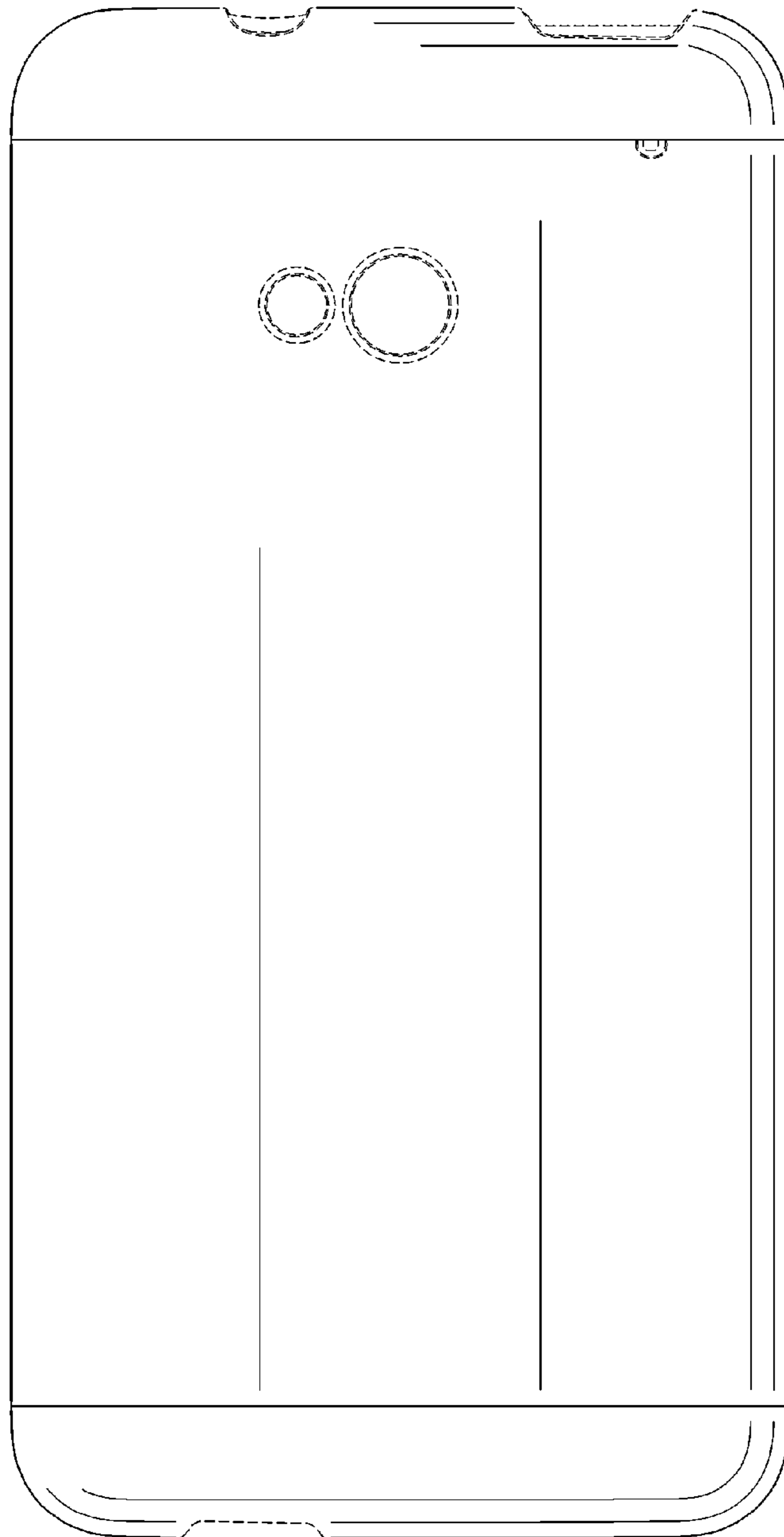


FIG. 4

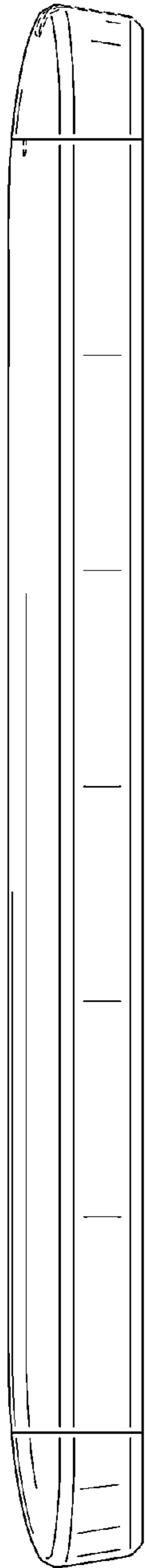


FIG. 5

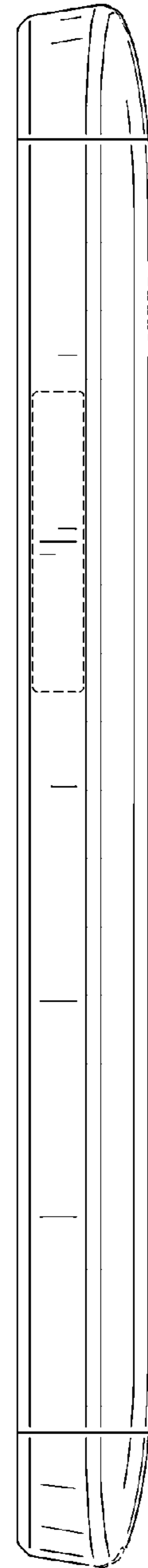


FIG. 6

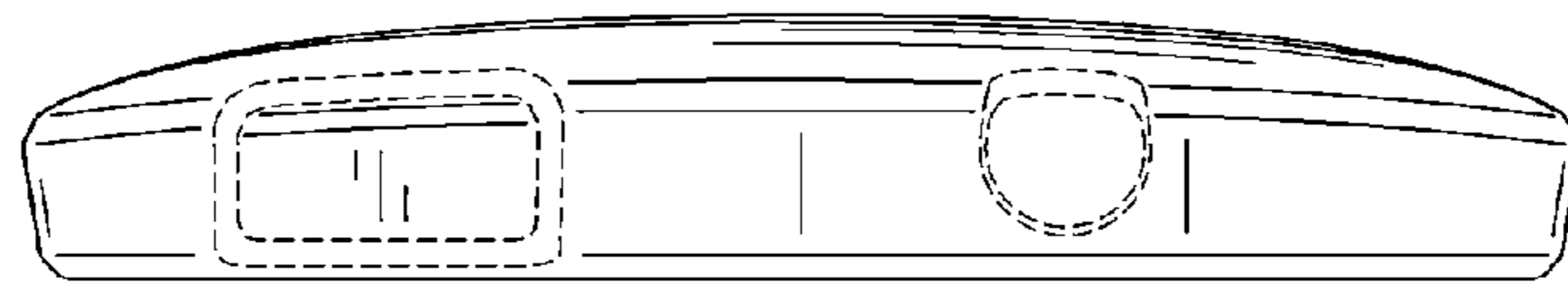


FIG. 7

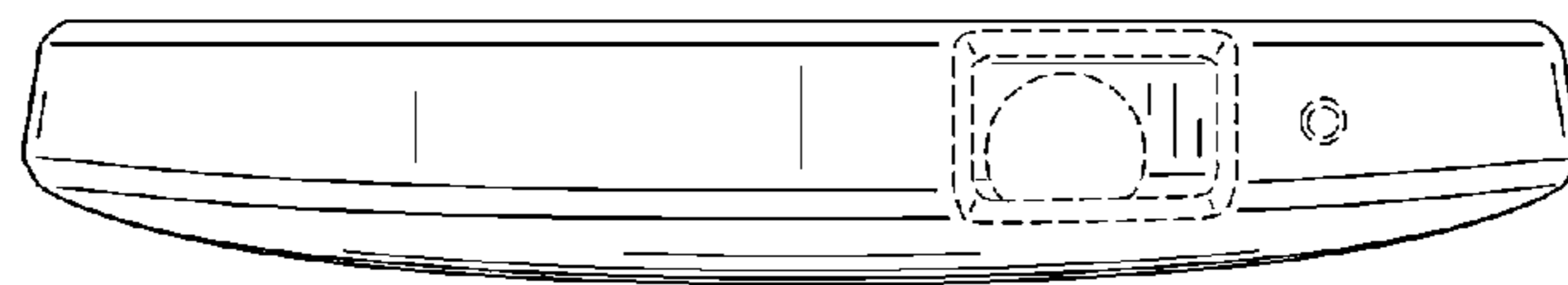


FIG. 8

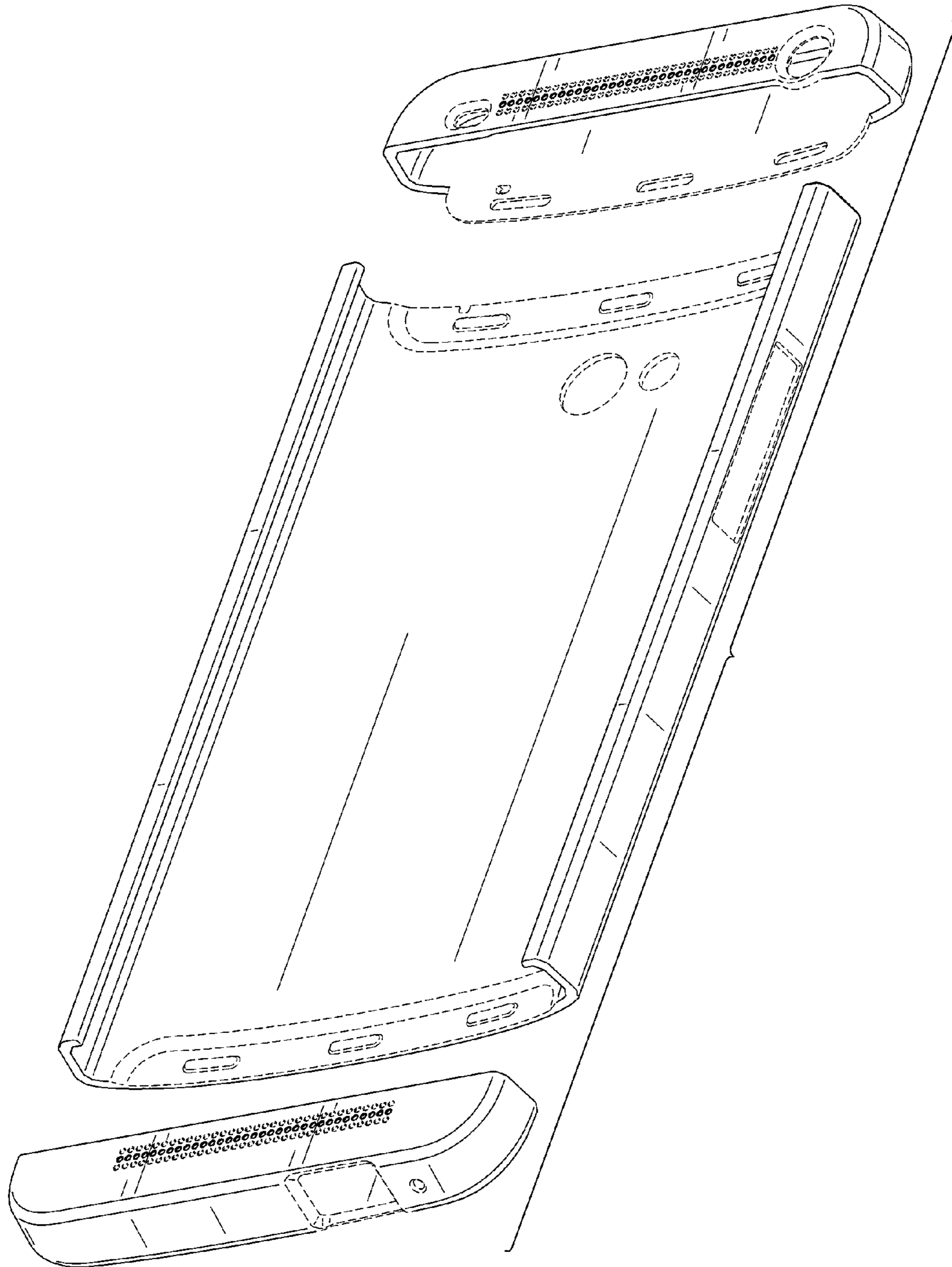


FIG. 9

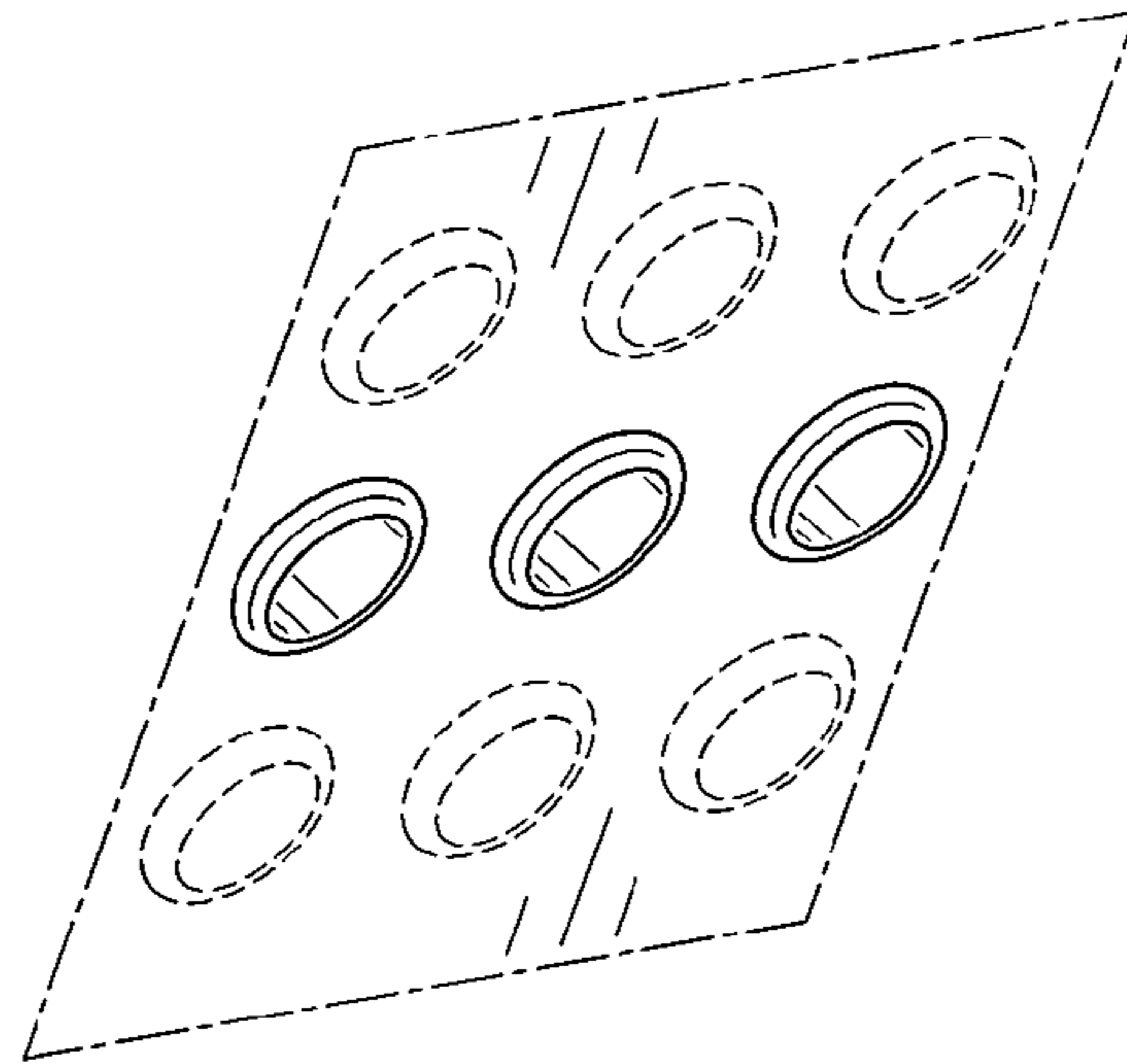


FIG. 10

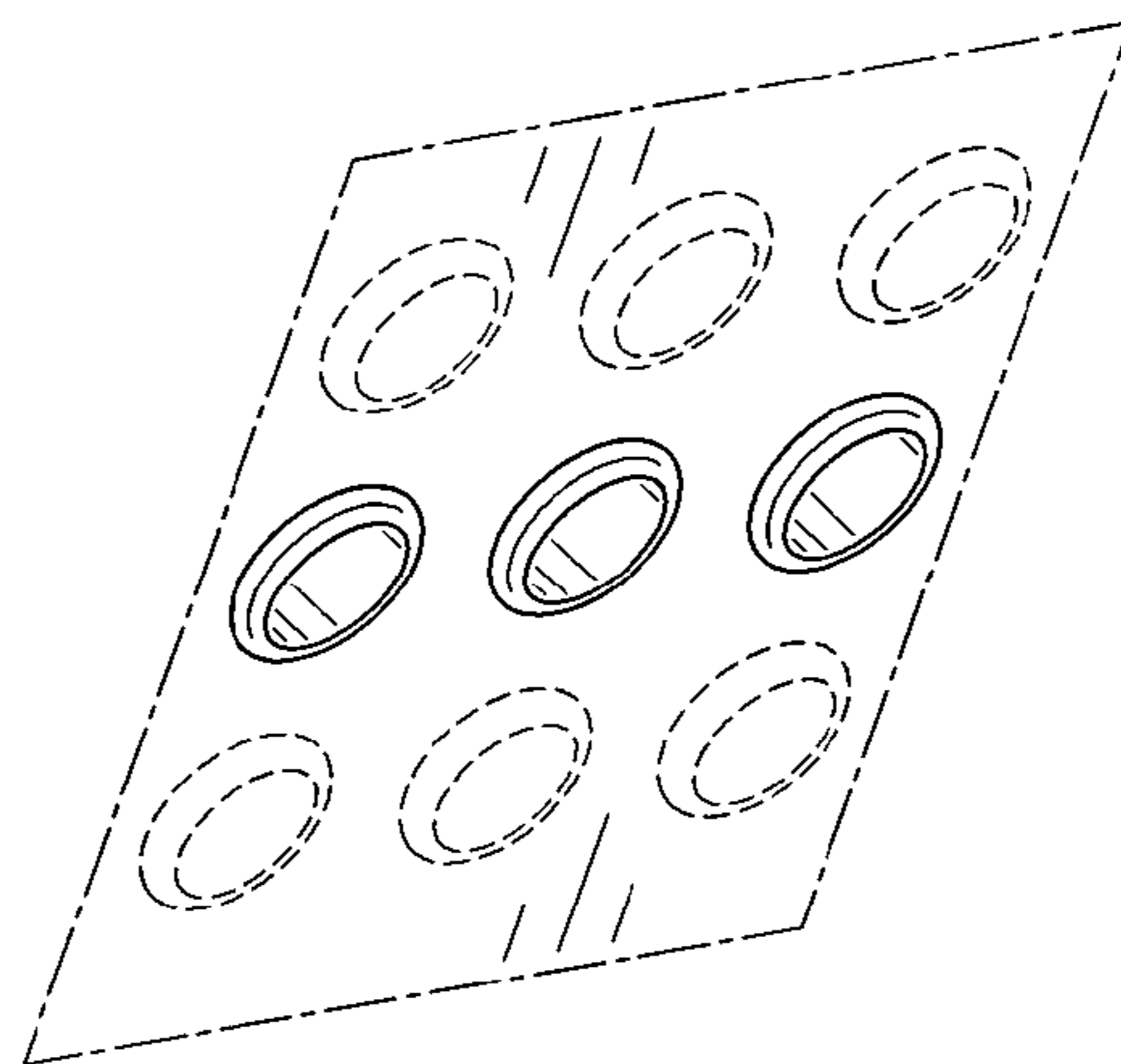


FIG. 11