



US00D724564S

(12) **United States Design Patent**
Davies

(10) **Patent No.:** **US D724,564 S**
(45) **Date of Patent:** **** Mar. 17, 2015**

(54) **SPEAKER**

(75) Inventor: **Simon Davies**, New Territories (HK)

(73) Assignee: **GP Acoustics International Limited**,
New Territories (HK)

(**) Term: **14 Years**

(21) Appl. No.: **29/414,629**

(22) Filed: **Mar. 1, 2012**

(51) **LOC (10) Cl.** **14-03**

(52) **U.S. Cl.**
USPC **D14/215**

(58) **Field of Classification Search**
USPC D13/107, 108, 163, 164; D14/162,
D14/167-169, 171, 172, 175, 188, 194,
D14/196-198, 203.1-203.8, 204, 207,
D14/210-217, 221, 222, 257, 258, 265, 496,
D14/498-511; 84/625, 660, 697; 181/143,
181/144, 145, 147, 148, 153, 157, 198,
181/199; 360/99.02, 99.07; 369/75.11,
369/77.11, 77.21; 381/119, 300, 301, 306,
381/332, 333, 336, 345, 361-364; 455/344,
455/350; 720/601, 612, 619, 649, 655
See application file for complete search history.

(56) **References Cited**

U.S. PATENT DOCUMENTS

D340,245 S * 10/1993 Christie D14/214
D358,818 S * 5/1995 Rozier et al. D14/214

D401,583 S * 11/1998 Shin et al. D14/214
D478,886 S * 8/2003 Christianson D14/507
D500,490 S * 1/2005 Zeitman D14/188
D552,082 S * 10/2007 Law D14/214
D565,549 S * 4/2008 Sawhney et al. D14/214
D568,293 S * 5/2008 Sawhney et al. D14/214
D568,294 S * 5/2008 Sawhney et al. D14/214
D655,691 S * 3/2012 Stewart et al. D14/214
2012/0321117 A1* 12/2012 Chen 381/333

* cited by examiner

Primary Examiner — Stella Reid

Assistant Examiner — Janice Lim

(74) *Attorney, Agent, or Firm* — Buchanan Ingersoll &
Rooney PC

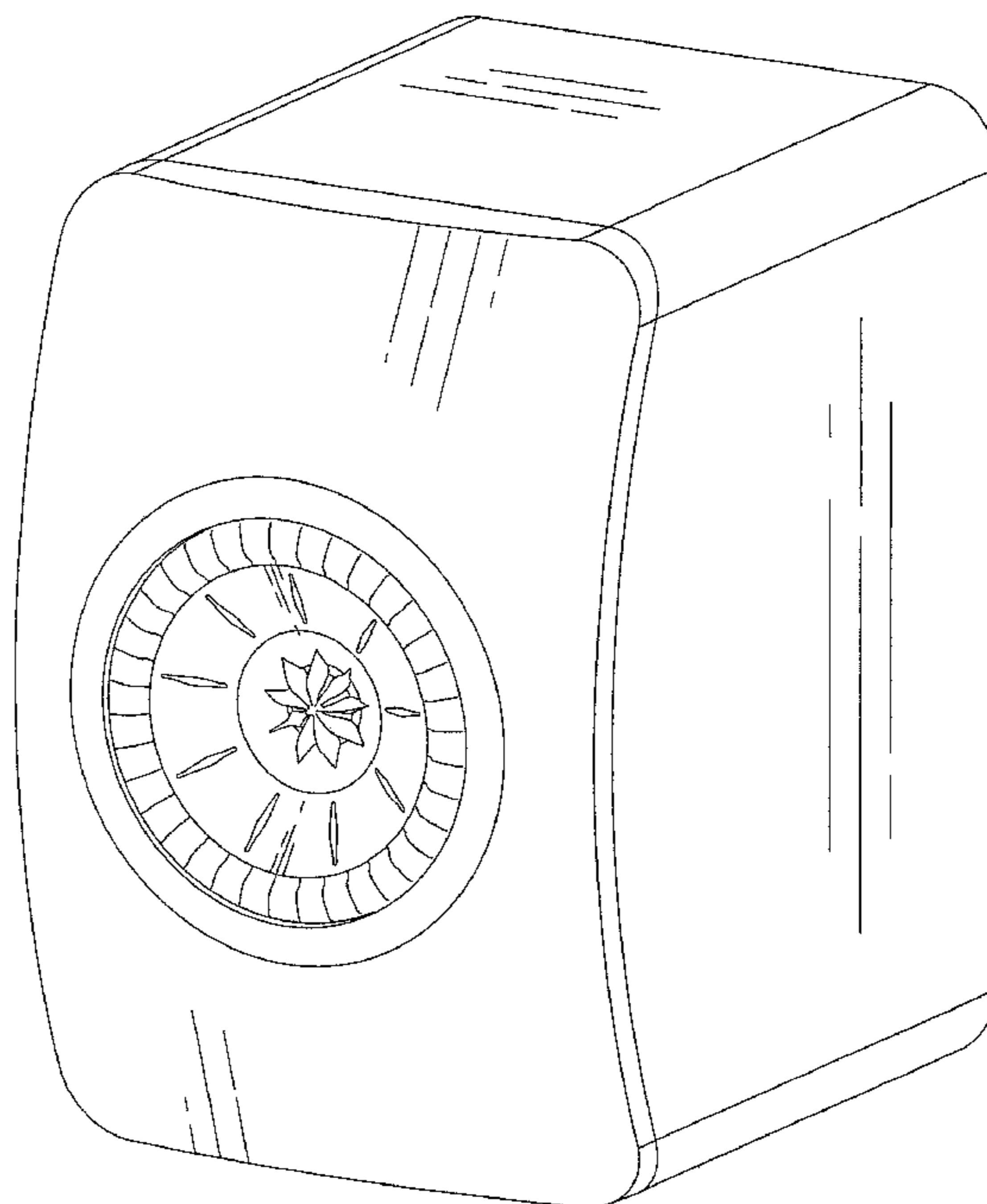
(57) **CLAIM**

The ornamental design for a speaker, as shown and described.

DESCRIPTION

FIG. 1 is a front, top, right-side perspective view of a speaker showing my new design;
FIG. 2 is a rear, top, left-side perspective view thereof;
FIG. 3 is a front view thereof;
FIG. 4 is a rear view thereof;
FIG. 5 is a top plan view thereof;
FIG. 6 is a bottom plan view thereof;
FIG. 7 is a left side view thereof; and,
FIG. 8 is a right side view thereof.
The broken line portions of FIGS. 2, 4, and 6 are included to show unclaimed subject matter only and form no part of the claimed design.

1 Claim, 8 Drawing Sheets



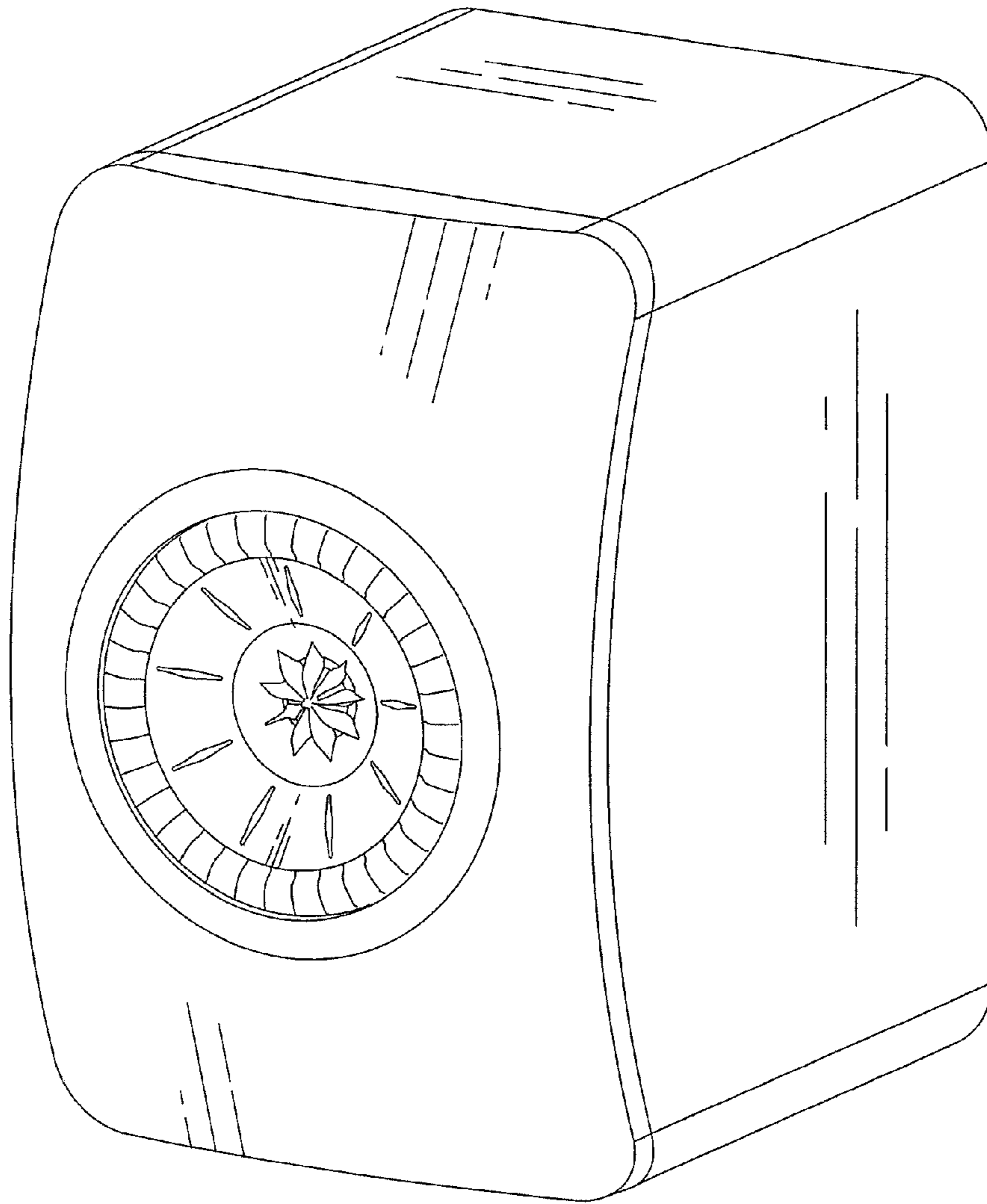


Figure 1

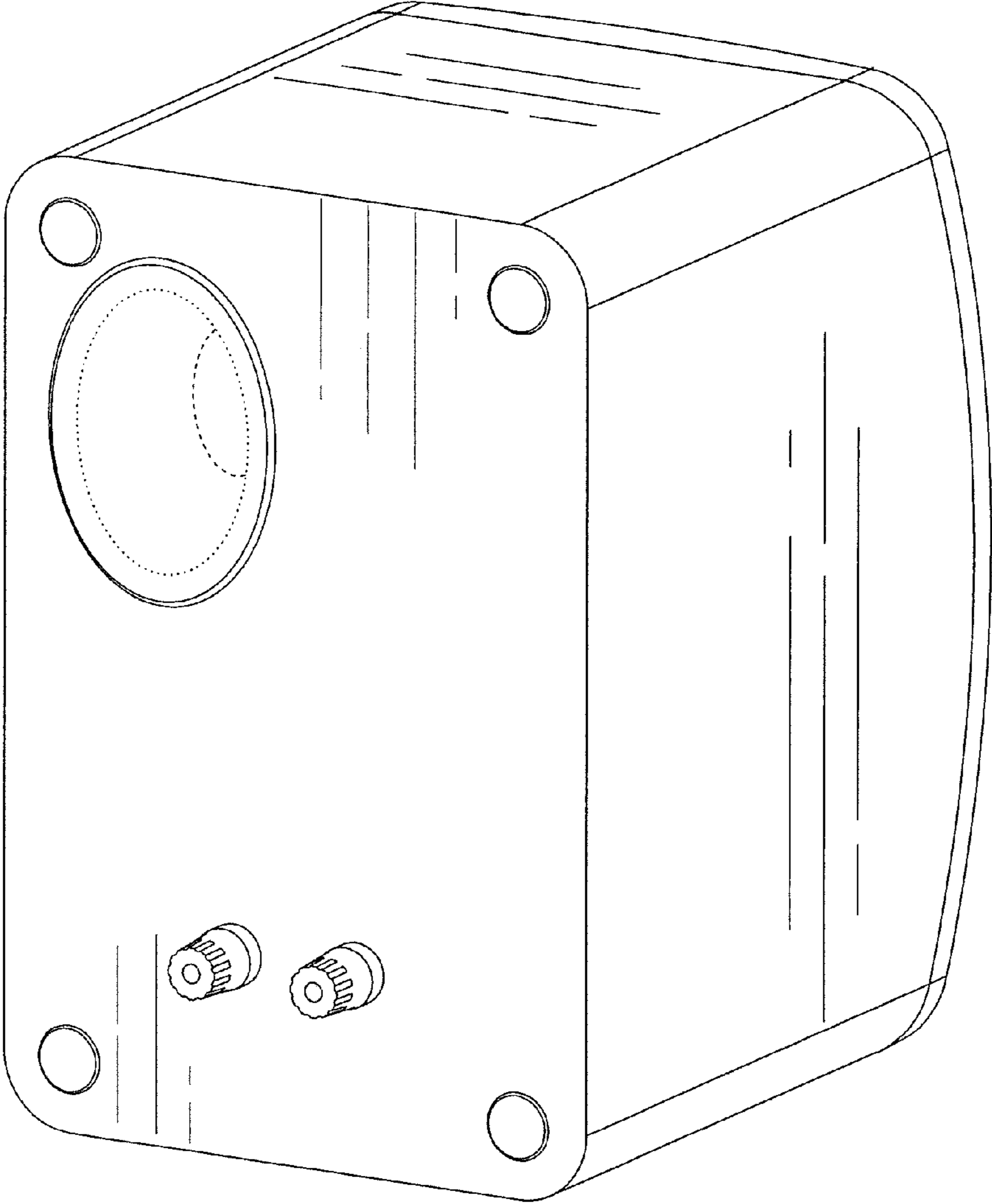


Figure 2

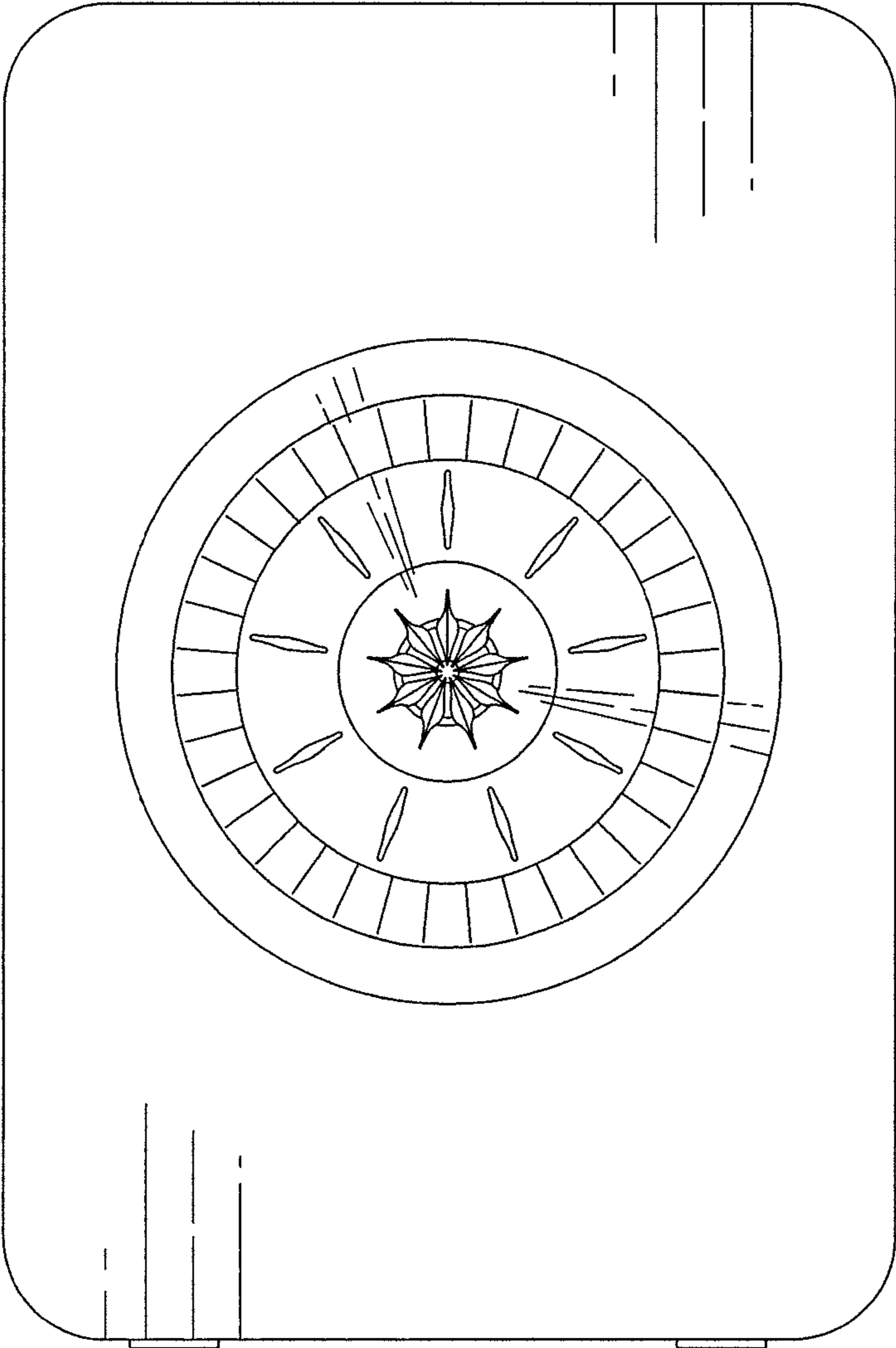


Figure 3

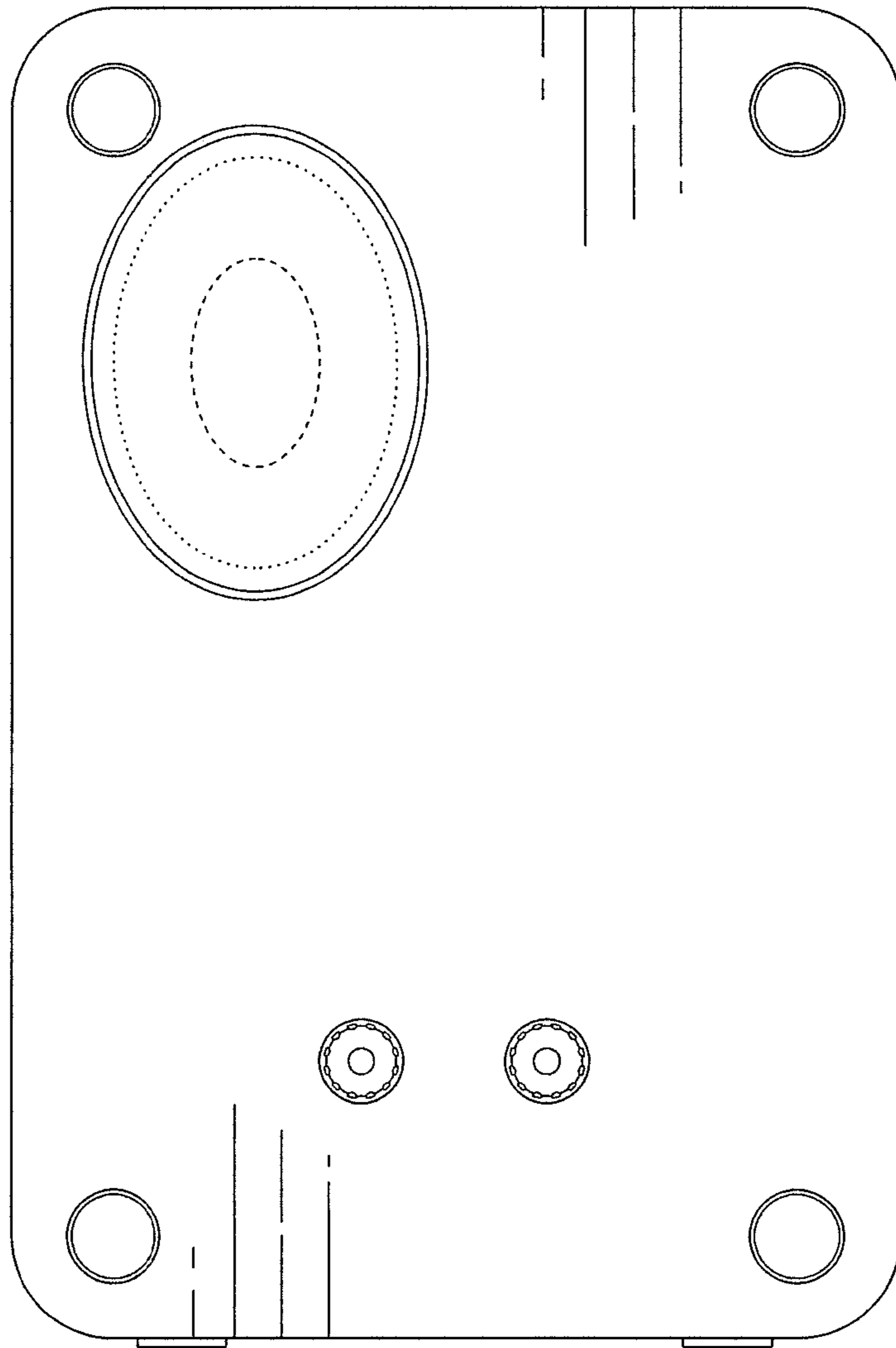


Figure 4

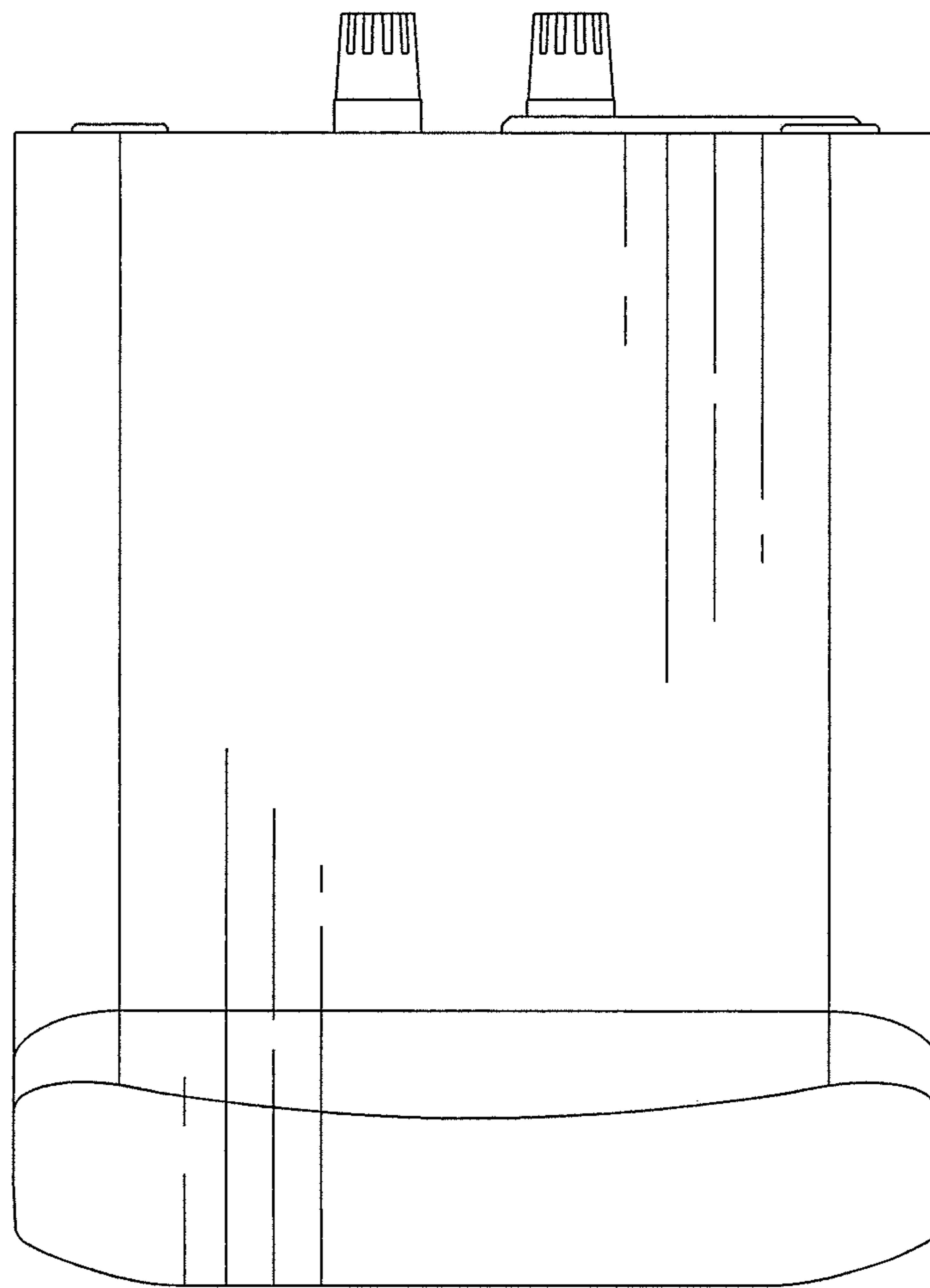


Figure 5

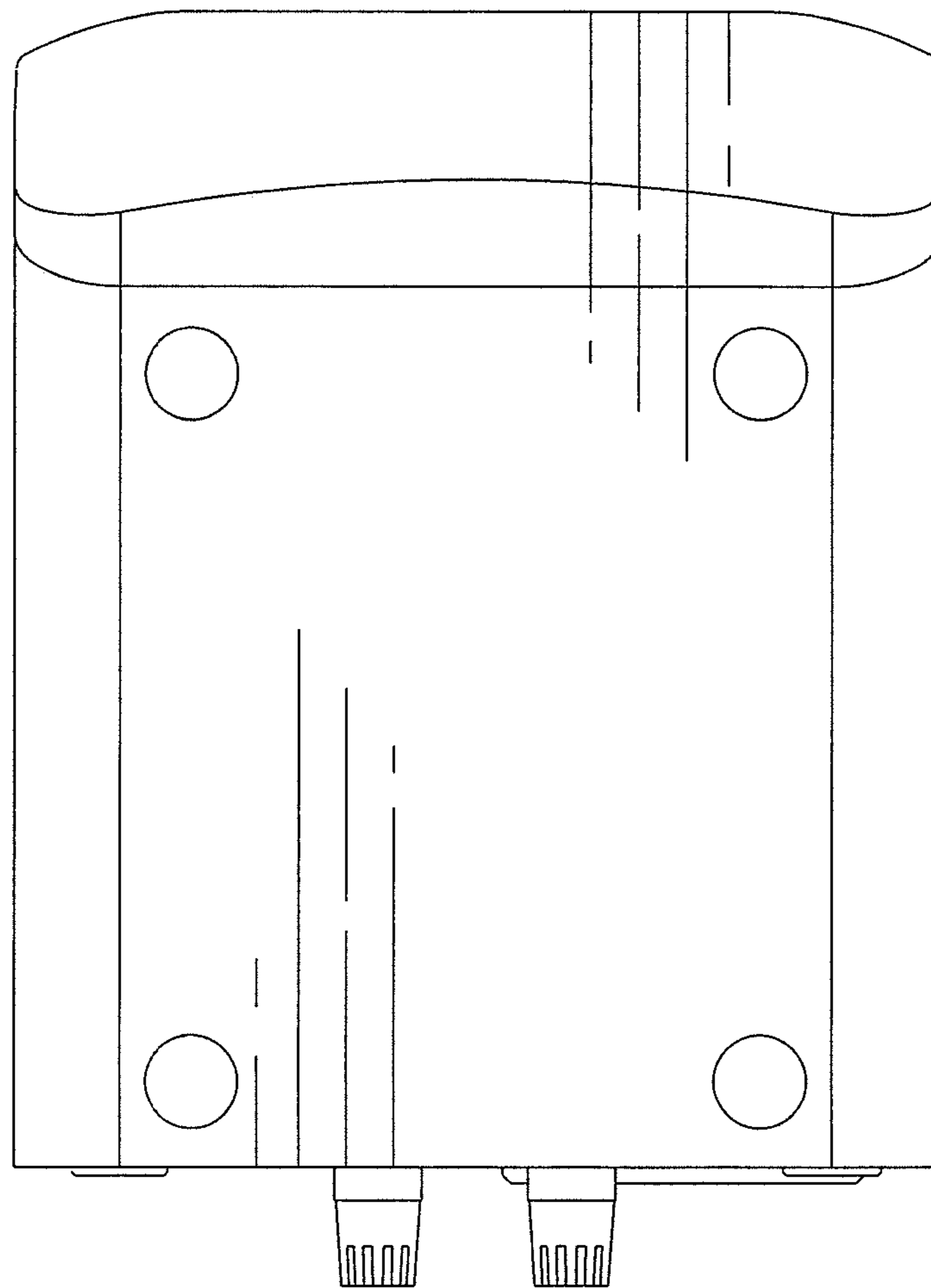


Figure 6

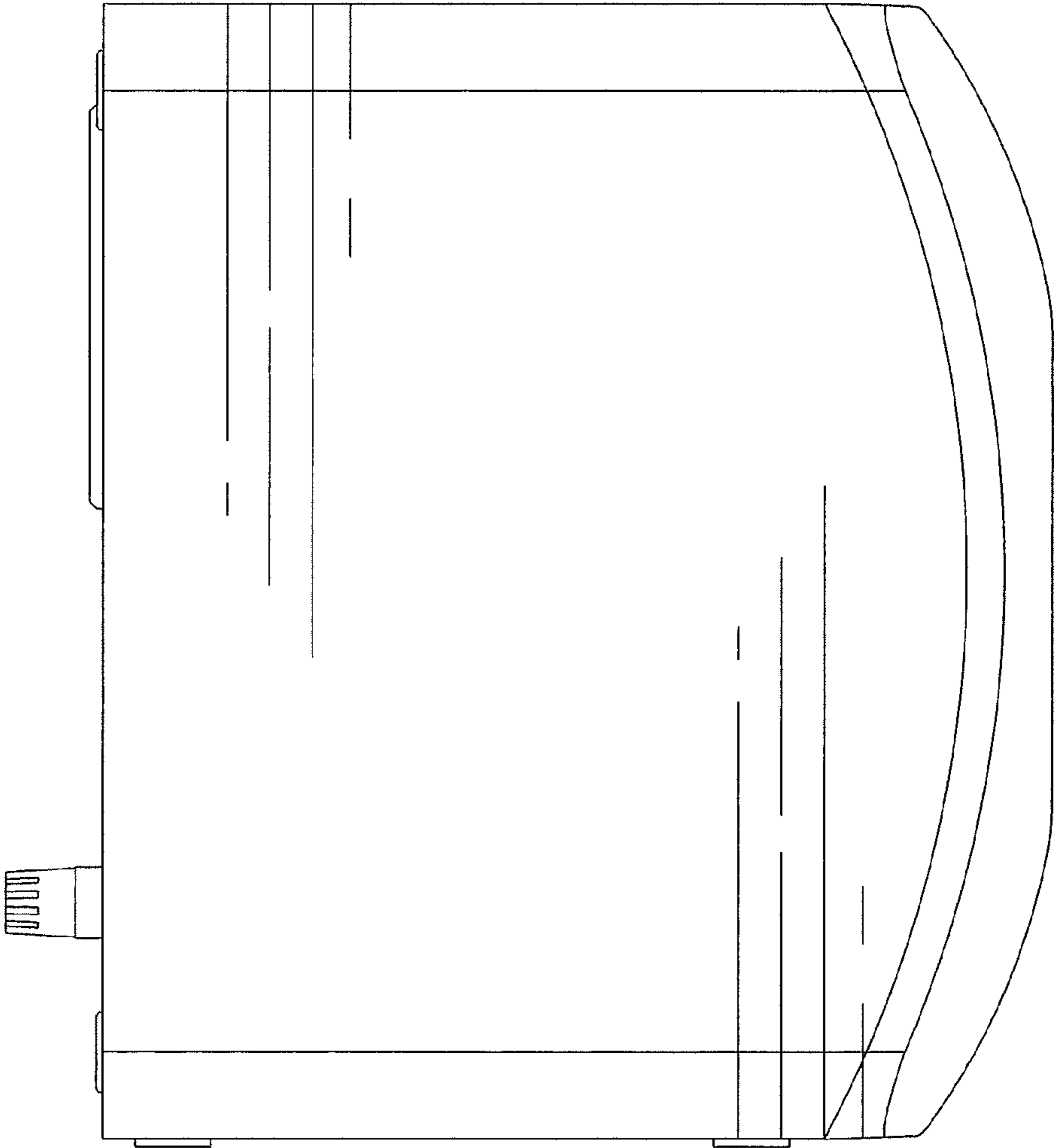


Figure 7

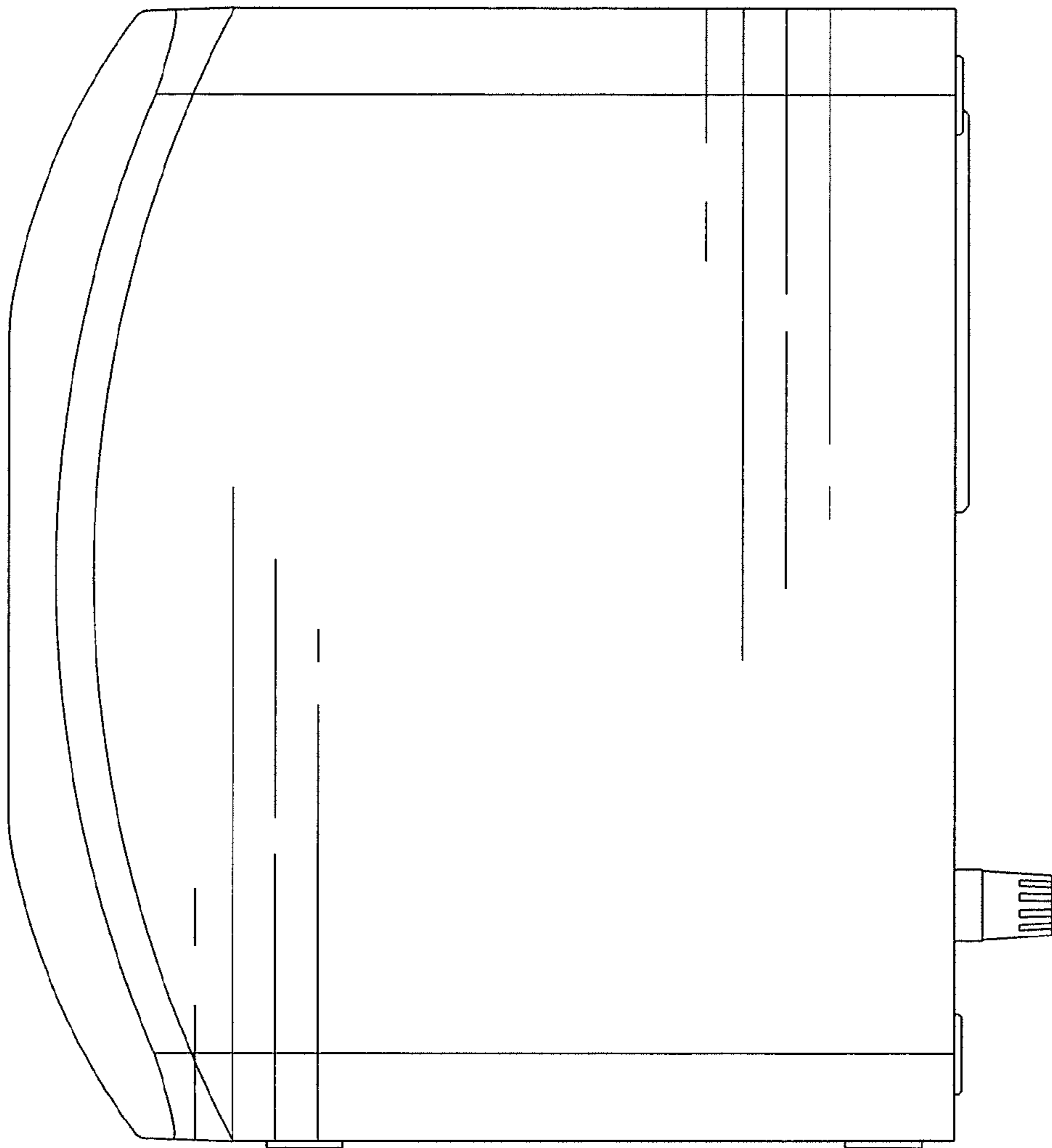


Figure 8