



US00D724562S

(12) **United States Design Patent**
Sparks et al.

(10) **Patent No.:** **US D724,562 S**
(45) **Date of Patent:** **** Mar. 17, 2015**

(54) **HEADSET**

(71) Applicant: **Microsoft Corporation**, Redmond, WA
(US)

(72) Inventors: **Bryan A. Sparks**, Sammamish, WA
(US); **Monika Wolf**, Redmond, WA
(US); **Eric Joseph Wahl**, Kirkland, WA
(US); **Aditha May Adams**, Seattle, WA
(US); **Austin Porter**, Redmond, WA
(US)

(73) Assignee: **Microsoft Corporation**, Redmond, WA
(US)

(**) Term: **14 Years**

(21) Appl. No.: **29/464,505**

(22) Filed: **Aug. 16, 2013**

(51) **LOC (10) Cl.** **14-01**

(52) **U.S. Cl.**
USPC **D14/206**

(58) **Field of Classification Search**
CPC H04R 1/1066
USPC D14/205, 206, 226; 181/129, 130, 135;
379/430, 431, 433.03; 381/380, 381,
381/370, 371, 374, 375, 390, 382;
455/90.3, 575.2

See application file for complete search history.

(56) **References Cited**

U.S. PATENT DOCUMENTS

2,812,517 A	11/1957	Francis et al.
2,883,671 A	4/1959	Hornickel
2,883,672 A	4/1959	Hornickel et al.
2,954,442 A	9/1960	Mickenberg
3,073,410 A	1/1963	Gogoll et al.
D196,654 S	10/1963	Van Den Berg
3,454,964 A	7/1969	Brinkhoff
3,506,981 A	4/1970	Stewart et al.

3,593,341 A	7/1971	Aileo
3,637,040 A	1/1972	Gorman
D228,352 S	9/1973	Itagaki
3,797,045 A	3/1974	Aho
3,875,592 A	4/1975	Aileo
3,922,725 A	12/1975	Csiki et al.
4,459,707 A	7/1984	Stallings
4,542,803 A	9/1985	Houng
4,546,215 A	10/1985	Ferraro
4,572,323 A	2/1986	Randall
4,597,469 A *	7/1986	Nagashima 181/129
D300,133 S *	3/1989	Daidoh et al. D14/205

(Continued)

OTHER PUBLICATIONS

Webpage, http://www.werefriends.com/women/collection/taylor-silver_71/, date unknown but believed to be prior to Aug. 16, 2013.

(Continued)

Primary Examiner — Paula Greene

(74) *Attorney, Agent, or Firm* — Banner & Witcoff, Ltd.

(57) **CLAIM**

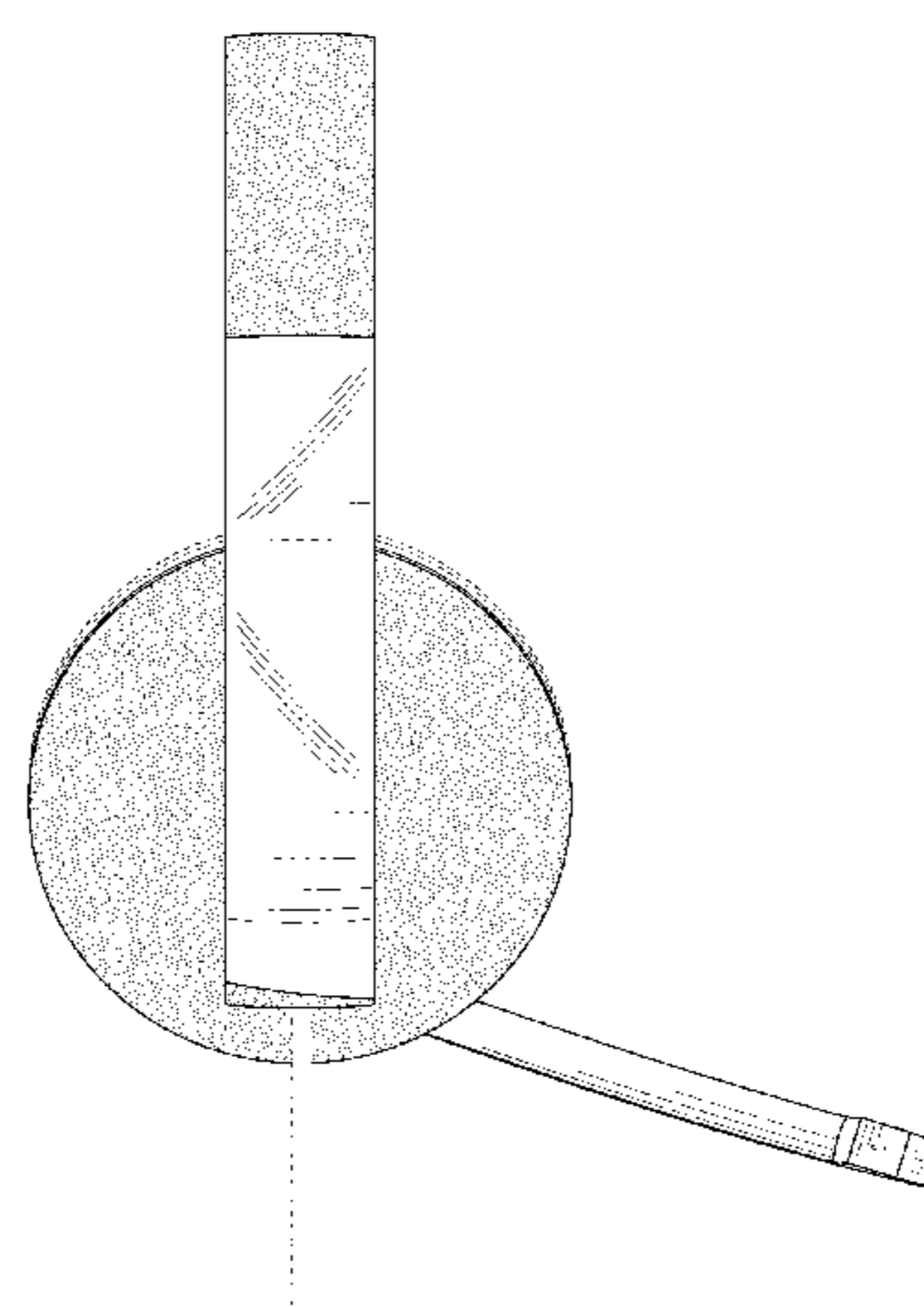
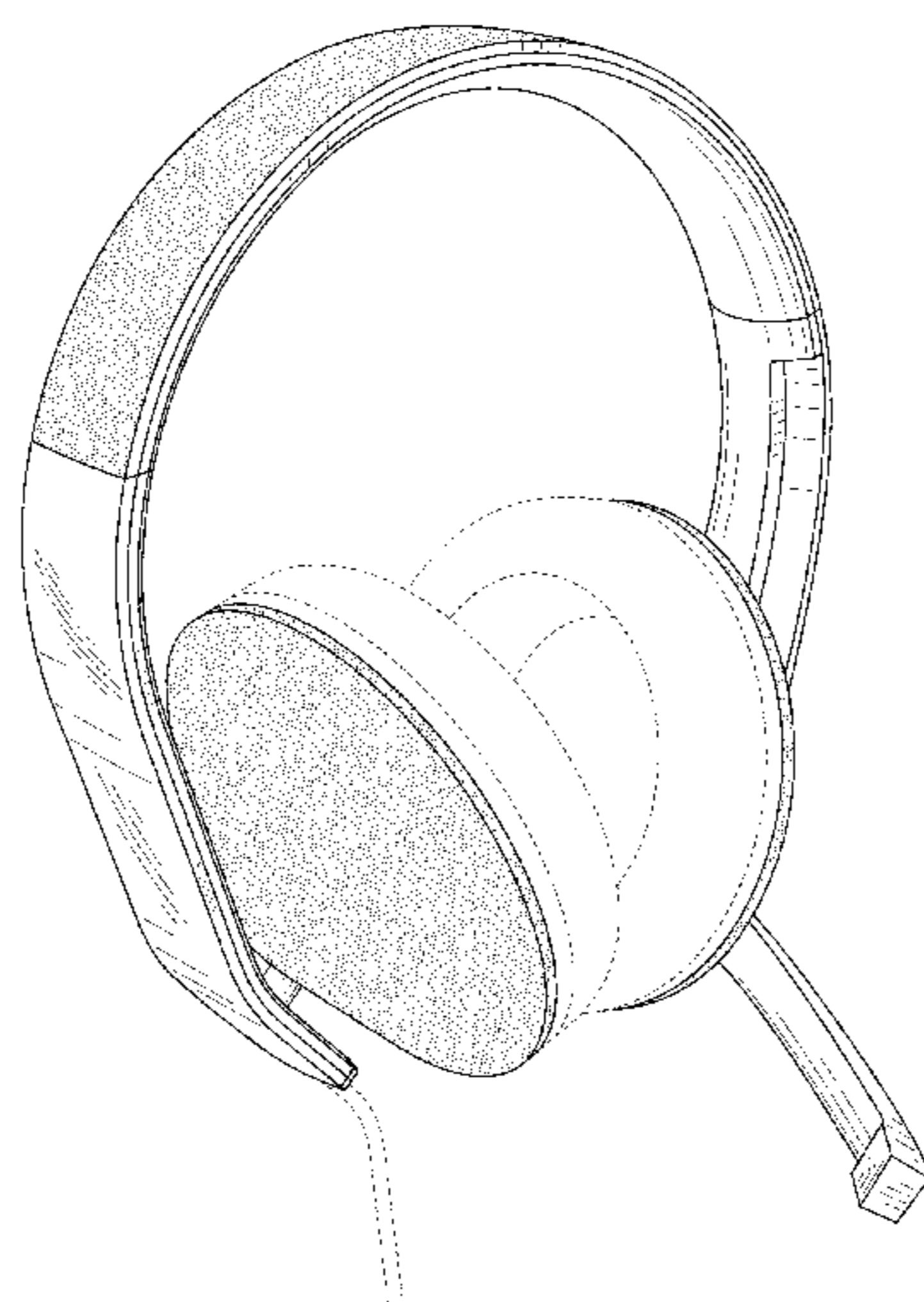
The ornamental design for a headset, as shown and described.

DESCRIPTION

FIG. 1 is a front perspective view of a headset showing our new design;
FIG. 2 is a front view thereof;
FIG. 3 is a rear view thereof;
FIG. 4 is a right side view thereof;
FIG. 5 is a left side view thereof;
FIG. 6 is a top view thereof; and,
FIG. 7 is a bottom view thereof.

The broken line showing of the remainder of the headset and the unshaded regions therein in FIGS. 1-7 is for environmental purposes only and forms no part of the claimed design. The difference in shading in the figures indicates a contrast of appearance and does not depict any particular color, texture, or material.

1 Claim, 7 Drawing Sheets



(56)

References Cited

U.S. PATENT DOCUMENTS

4,856,118 A 8/1989 Sapiejewski
D310,081 S * 8/1990 Daido et al. D14/205
D313,092 S 12/1990 Nilsson
D316,551 S 4/1991 Ichikawa
D346,172 S 4/1994 Fields et al.
D350,354 S 9/1994 Nakamura
D371,558 S 7/1996 Yoshizawa
D371,560 S 7/1996 Fenton et al.
5,826,597 A 10/1998 Chou
5,987,647 A 11/1999 Ouellette
5,996,123 A 12/1999 Leight et al.
6,016,574 A * 1/2000 Chen 2/209
D430,140 S * 8/2000 Roman D14/205
6,353,938 B1 3/2002 Young
D461,931 S 8/2002 Kelly
D463,857 S 10/2002 Dix et al.
6,560,346 B2 * 5/2003 Ohta et al. 381/382
6,584,984 B2 7/2003 Kelly
D491,163 S 6/2004 Green
D512,708 S 12/2005 Harris, Jr. et al.
D518,479 S * 4/2006 Skulley D14/225
D530,307 S * 10/2006 Rath D14/206
D534,156 S * 12/2006 Obata D14/205
D539,788 S * 4/2007 Thompson et al. D14/225
D540,777 S * 4/2007 Rausch et al. D14/205
D541,256 S * 4/2007 Rausch et al. D14/205
D541,257 S 4/2007 Thursfield
D542,774 S 5/2007 Rausch et al.
D571,354 S 6/2008 Ng
D588,100 S * 3/2009 Densho et al. D14/205
D603,371 S 11/2009 Boateng et al.
D625,705 S 10/2010 Ohori et al.
D633,471 S 3/2011 Sugiyama
D633,717 S 3/2011 Searcy
D634,732 S 3/2011 Kondo et al.

D641,003 S 7/2011 Alden
D649,528 S 11/2011 Park
D654,471 S 2/2012 Fischer
D654,472 S 2/2012 Fischer
D657,344 S 4/2012 Brunner et al.
D657,776 S 4/2012 Lee et al.
D663,717 S * 7/2012 Hutchieson D14/206
D664,114 S 7/2012 Tsuchiya
D665,775 S 8/2012 Katsumata
D666,992 S 9/2012 Lee et al.
D671,914 S 12/2012 Lee et al.
D675,595 S 2/2013 Cho et al.
D677,647 S 3/2013 Lee et al.
D678,859 S 3/2013 Lee
D680,516 S 4/2013 Lee
D683,329 S * 5/2013 Hagelin D14/205
D683,717 S 6/2013 Kelly et al.
D689,464 S 9/2013 Bonahoom et al.
D690,282 S 9/2013 Lee et al.
D690,283 S 9/2013 Lee et al.
D691,579 S 10/2013 Lee et al.
D697,495 S * 1/2014 Lian D14/205
D697,896 S 1/2014 Lee et al.
D697,897 S 1/2014 Lee et al.
D699,216 S 2/2014 Bonahoom et al.
8,646,466 B2 2/2014 Howard et al.
2006/0027245 A1 2/2006 Spector

OTHER PUBLICATIONS

Webpage, <http://www.bestbuy.com/site/friends-taylor-over-the-ear-headphones-silver-black/6453663.p?id=1218737493896&skuId=6453663&skulD=6453663>; date of posting Dec. 10, 2012.
Webpage, <http://www.revolveclothing.com/friends-friends-with-benefits-taylor-headphones-in-gold-black/dp/FNDS-WA1/?d=Womens>; date unknown but believed to be prior to Aug. 16, 2013.

* cited by examiner

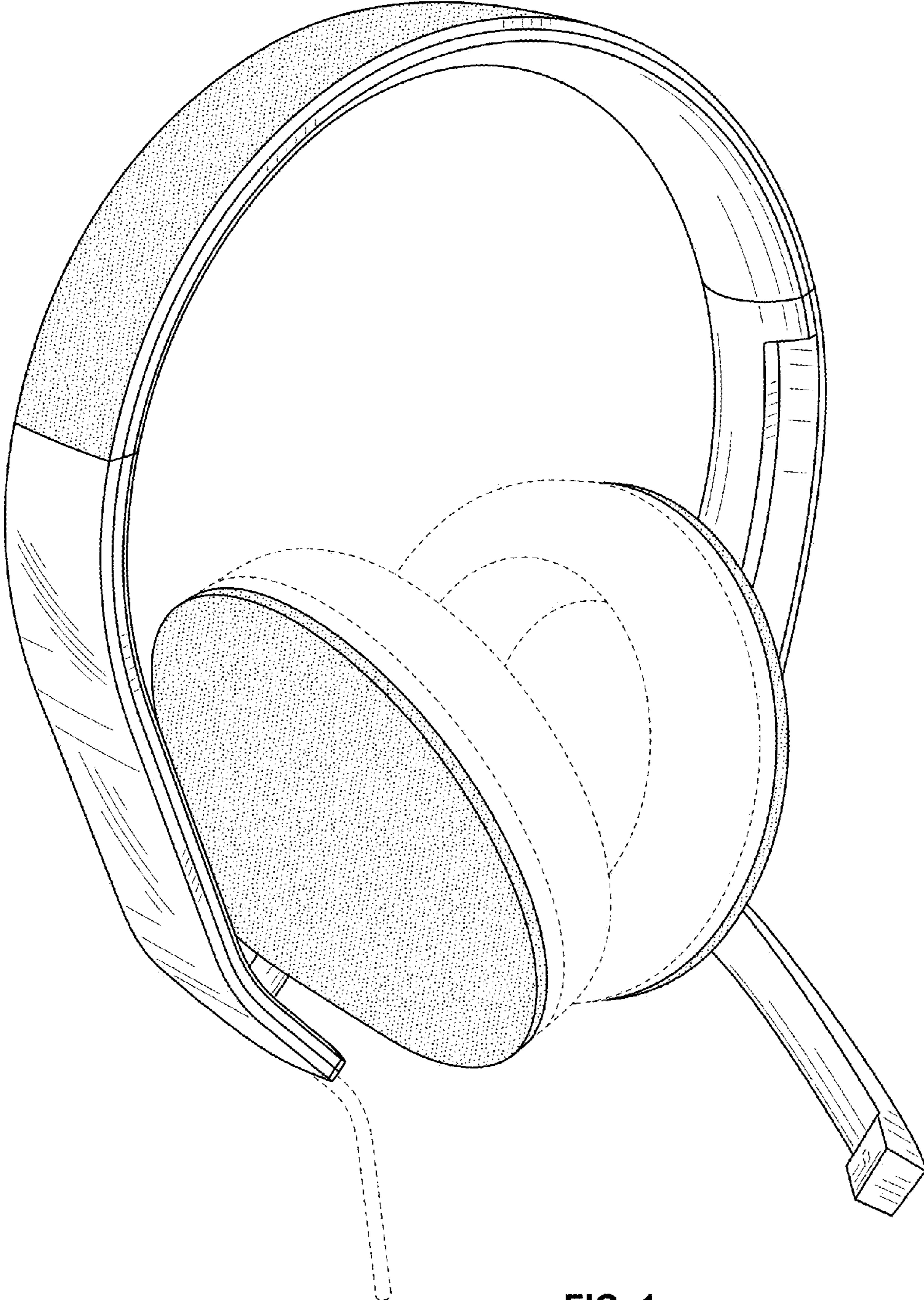


FIG. 1

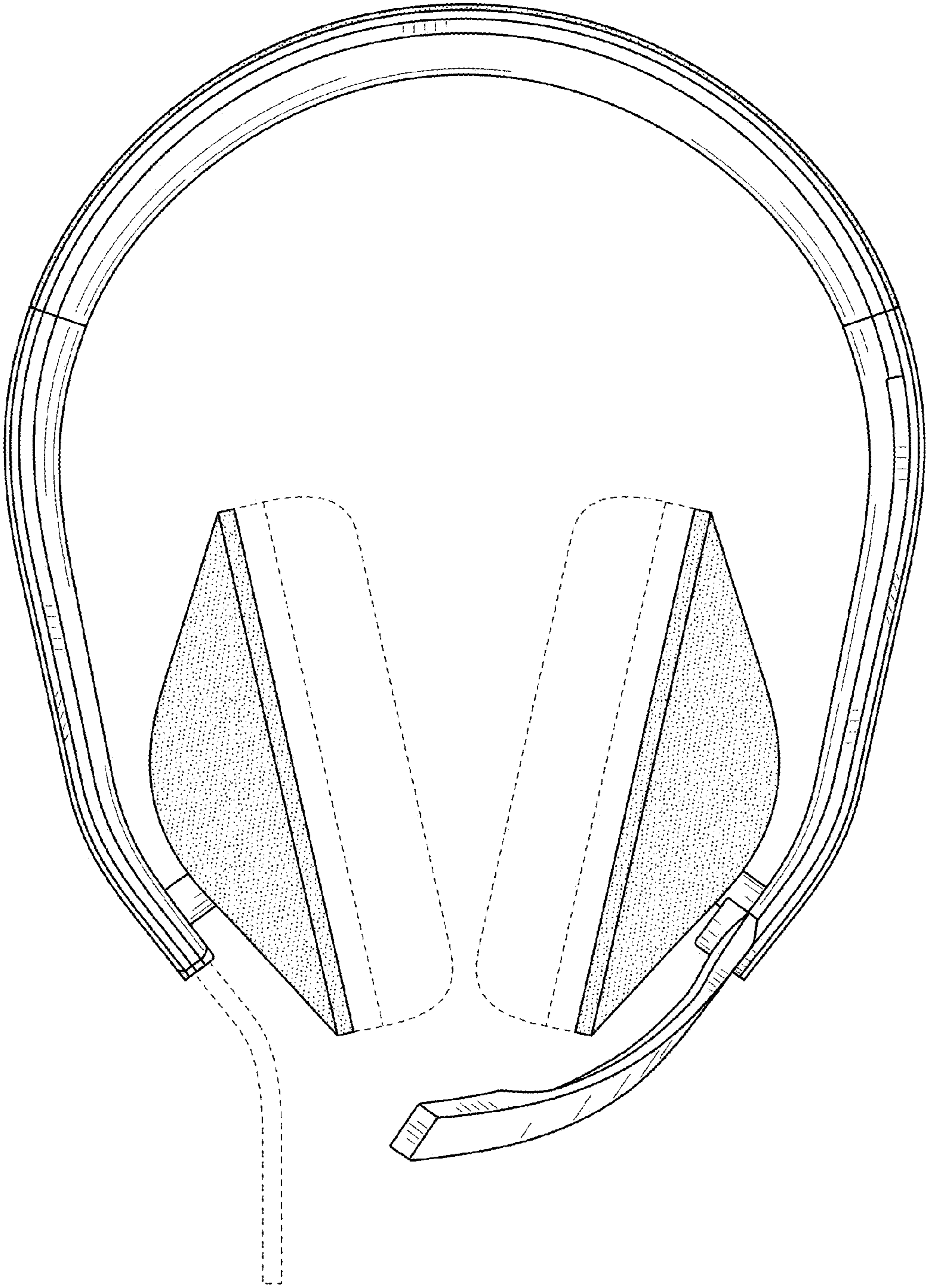


FIG. 2

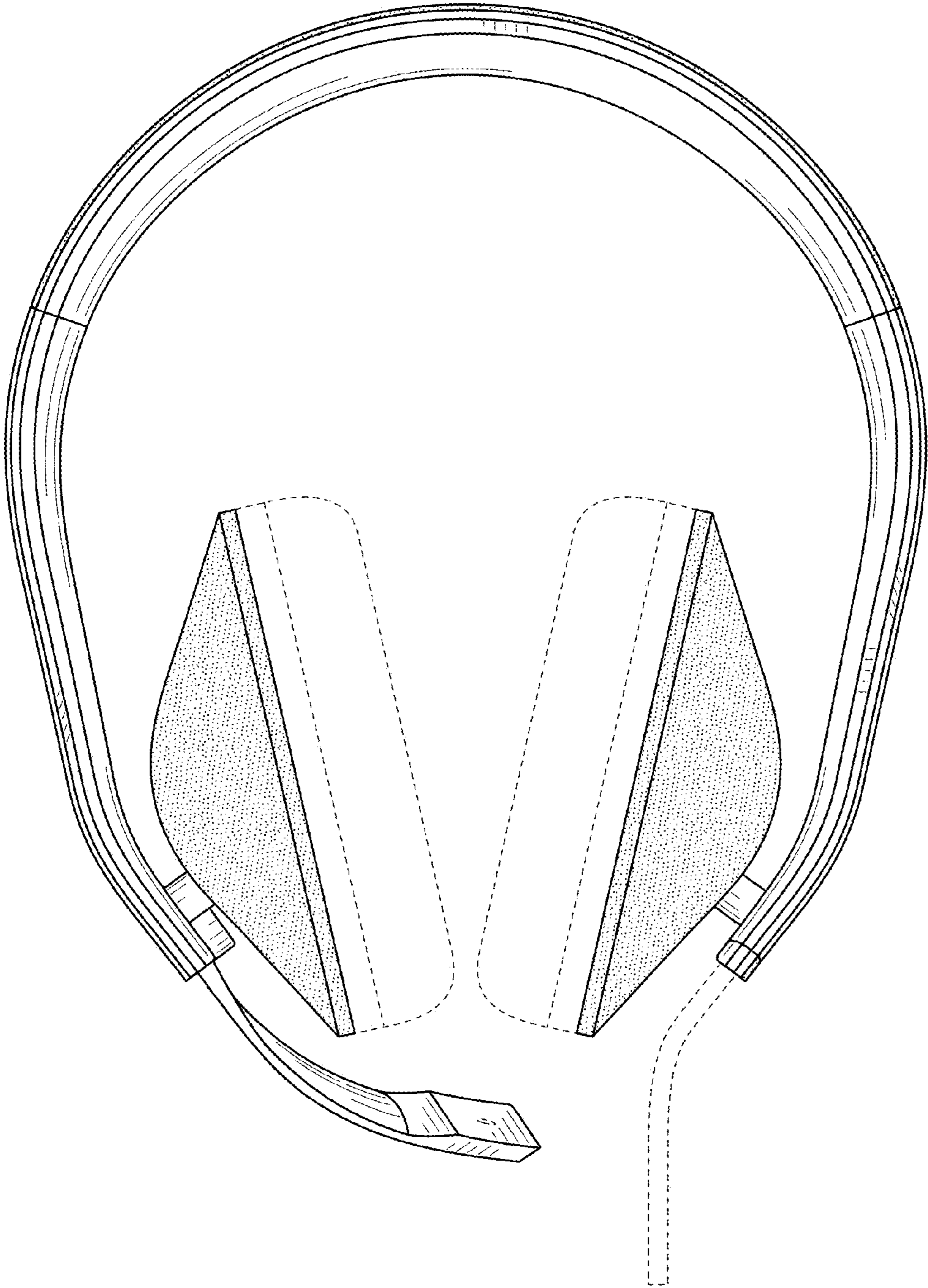


FIG. 3

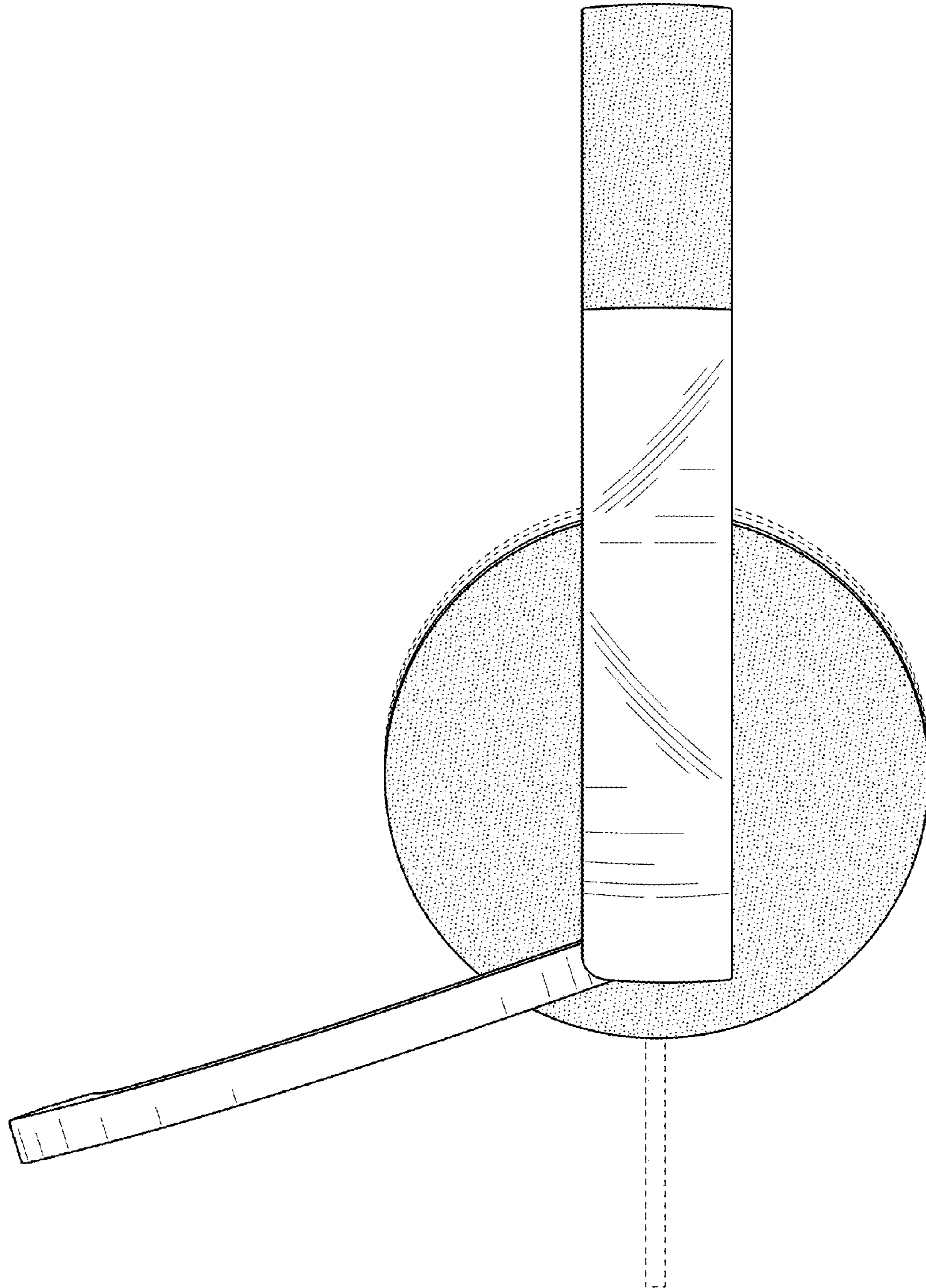


FIG. 4

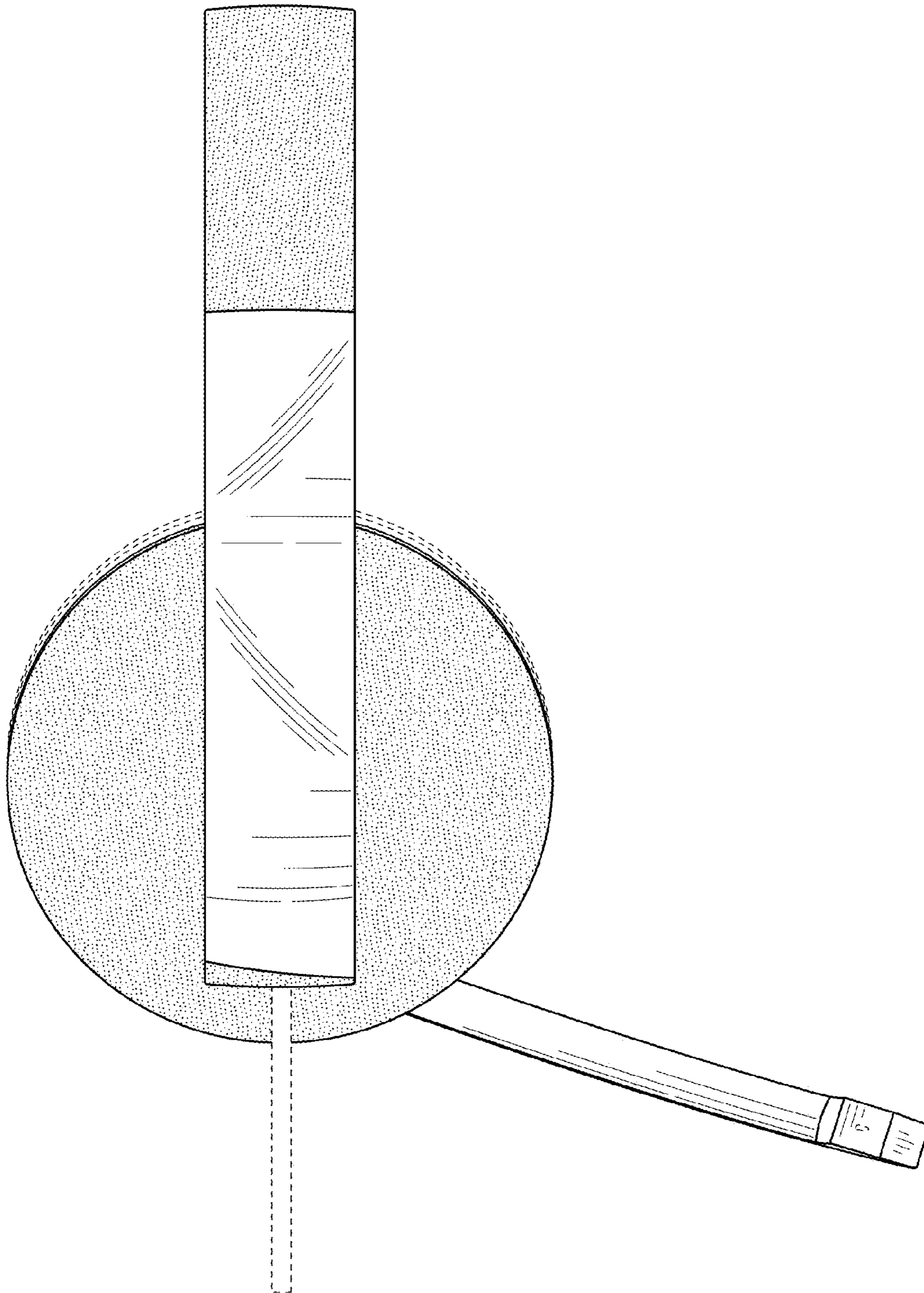


FIG. 5

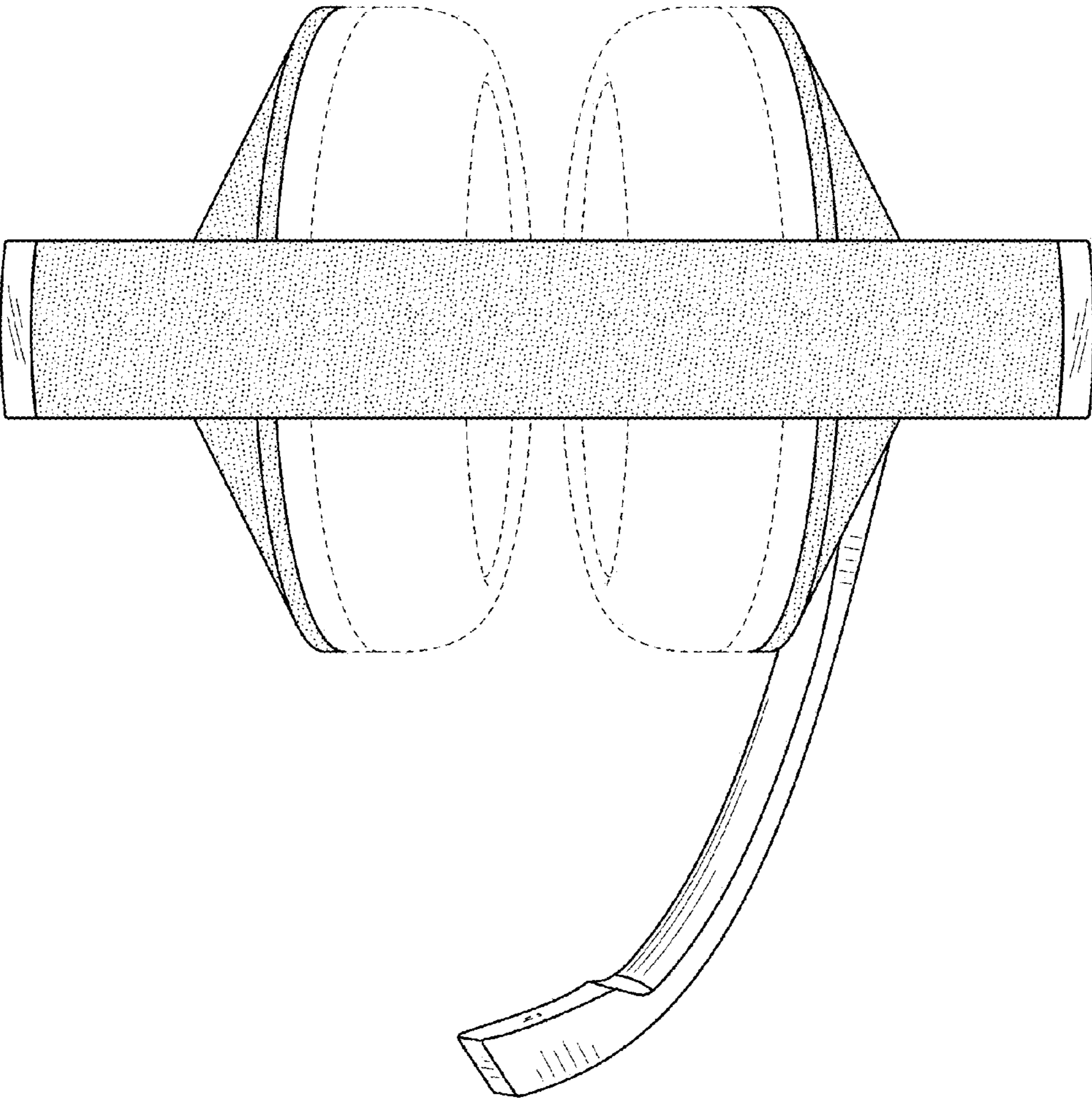


FIG. 6

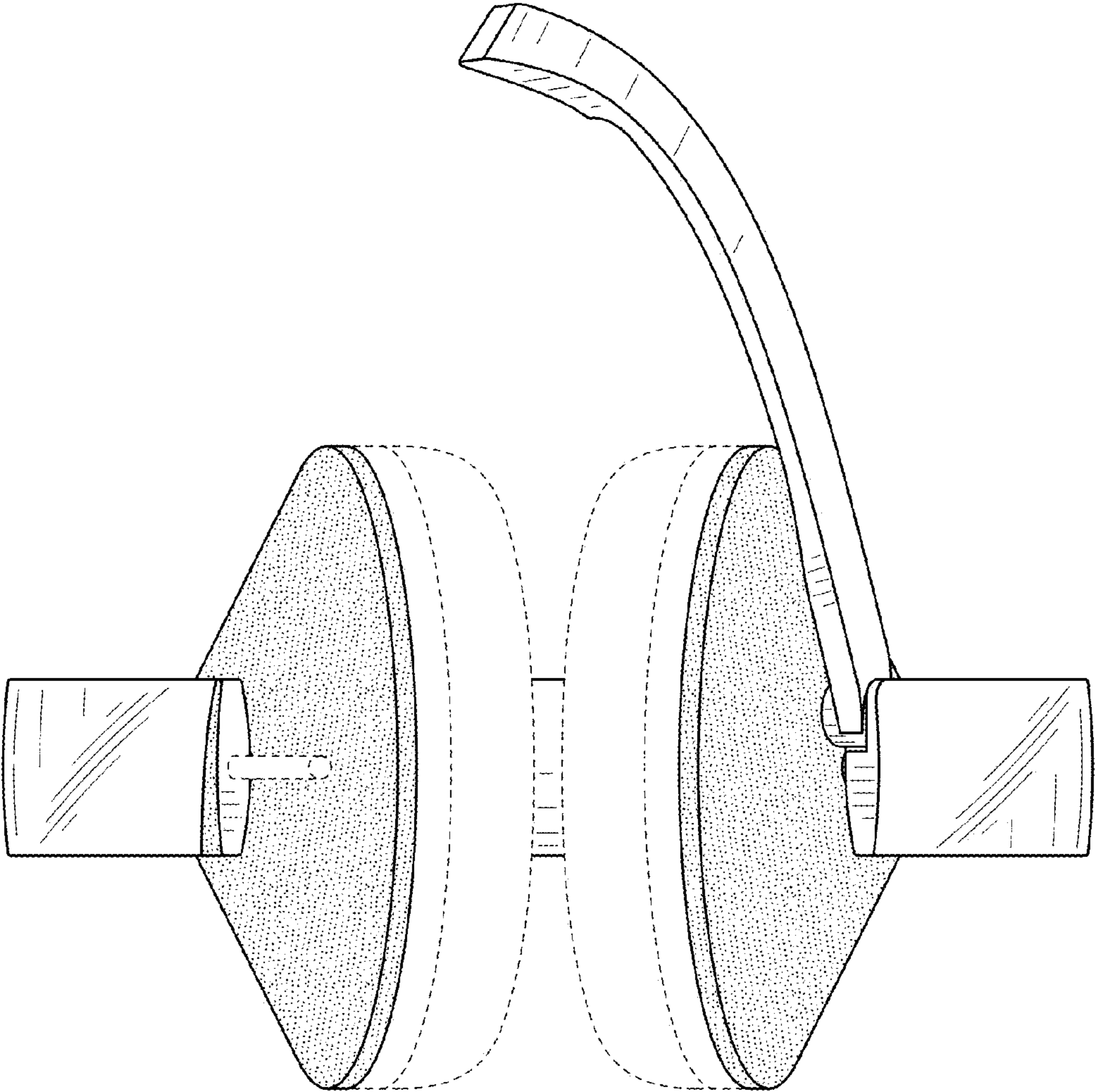


FIG. 7