



US00D724560S

(12) **United States Design Patent**
Galler

(10) **Patent No.:** **US D724,560 S**

(45) **Date of Patent:** **** *Mar. 17, 2015**

(54) **HEADPHONE**

(71) Applicant: **Sennheiser electronic GmbH & Co. KG, Wedemark (DE)**

(72) Inventor: **Niklas Galler, Berlin (DE)**

(73) Assignee: **Sennheiser electronic GmbH & Co. KG, Wedemark (DE)**

(*) Notice: This patent is subject to a terminal disclaimer.

(**) Term: **14 Years**

(21) Appl. No.: **29/473,594**

(22) Filed: **Nov. 25, 2013**

(30) **Foreign Application Priority Data**

May 29, 2013 (EM) 002246249-0001

(51) **LOC (10) Cl.** **14-01**

(52) **U.S. Cl.**
USPC **D14/205**

(58) **Field of Classification Search**
CPC H04R 1/1066
USPC D14/205, 223; D29/112; 2/209;
181/129, 130, 135; 379/430, 431;
381/380, 381, 374, 378; 455/90.3,
455/575.1, 569.1

See application file for complete search history.

(56) **References Cited**

U.S. PATENT DOCUMENTS

661,963 A * 11/1900 Woo et al. 160/100
1,483,315 A * 2/1924 Saal 381/378
2,149,341 A * 3/1939 Harrison 381/379

D203,677 S * 2/1966 Spilman D14/205
3,505,684 A * 4/1970 Hutchinson et al. 2/209
D229,833 S * 1/1974 Woodbury D14/205
4,133,053 A * 1/1979 Lundin 2/209
4,572,323 A * 2/1986 Randall 181/129
D313,092 S * 12/1990 Nilsson D29/112
D449,034 S * 10/2001 Weikel et al. D14/205
6,678,897 B2 * 1/2004 Lindgren 2/209
D560,654 S * 1/2008 Feng et al. D14/205
D570,825 S * 6/2008 Schultz et al. D14/205
D620,474 S * 7/2010 Komiyama D14/205
7,766,120 B2 * 8/2010 Hansson et al. 181/129
D650,356 S * 12/2011 Alden et al. D14/205
D657,345 S * 4/2012 Brunner et al. D14/205
D668,633 S * 10/2012 Enquist D14/205
D673,929 S * 1/2013 Combs et al. D14/205
D677,241 S * 3/2013 Kelly et al. D14/205
D693,793 S * 11/2013 Kelly et al. D14/205
D695,263 S * 12/2013 Mogili D14/205
D696,226 S * 12/2013 Brunner et al. D14/205
D700,590 S * 3/2014 Heath D14/205
D704,163 S * 5/2014 Brunner et al. D14/205

* cited by examiner

Primary Examiner — Paula Greene

(74) *Attorney, Agent, or Firm* — Frommer Lawrence & Haug LLP

(57) **CLAIM**

The ornamental design for a headphone, as shown and described.

DESCRIPTION

FIG. 1 is a front view of a headphone showing my new invention;

FIG. 2 is a rear elevational view thereof;

FIG. 3 is a left side elevational view thereof;

FIG. 4 is a right side elevational view thereof;

FIG. 5 is a top plan view thereof; and,

FIG. 6 is a bottom plan view thereof.

1 Claim, 6 Drawing Sheets





Fig. 1



Fig. 2

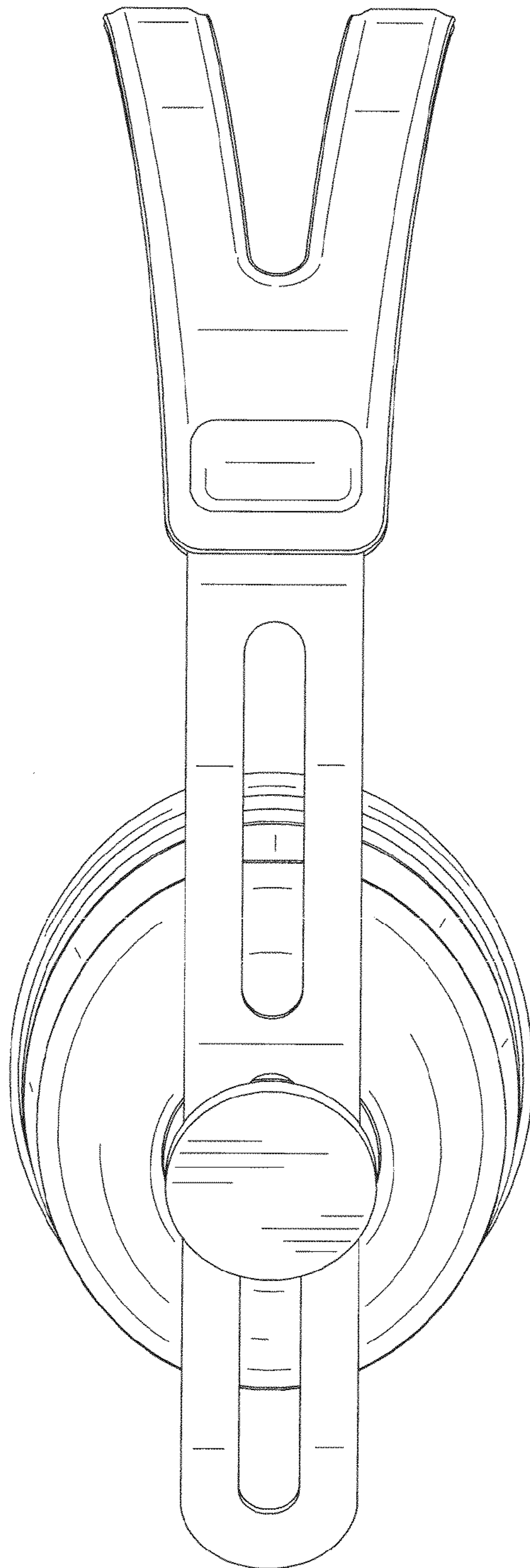


Fig. 3

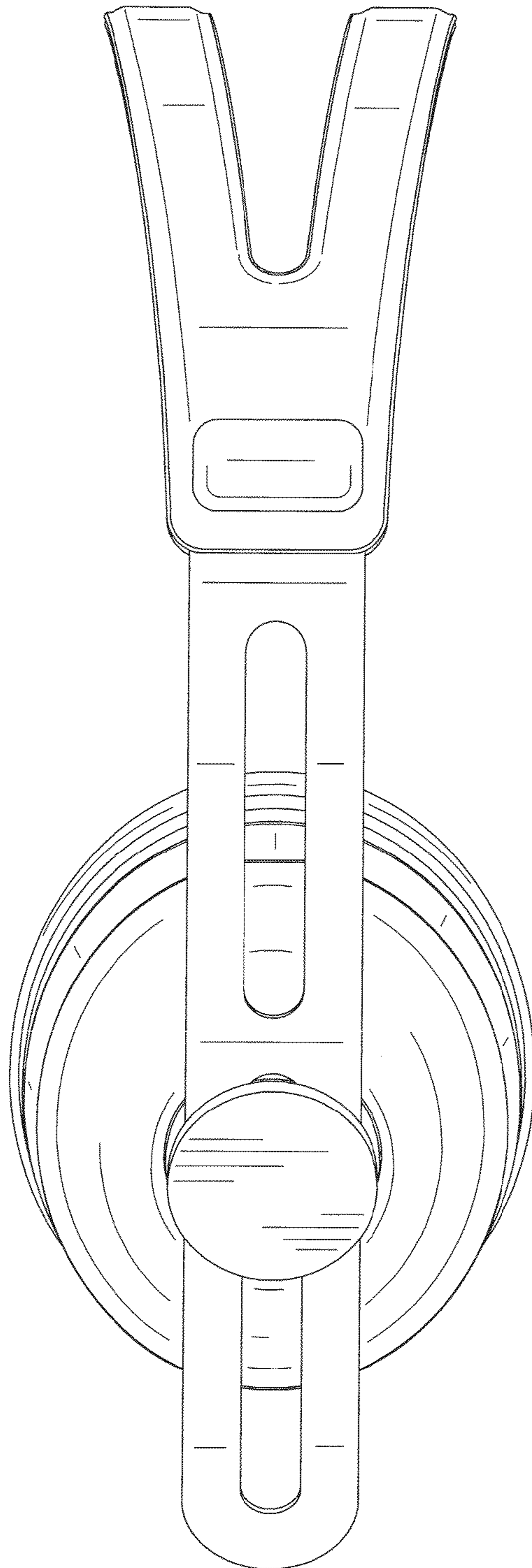


Fig. 4

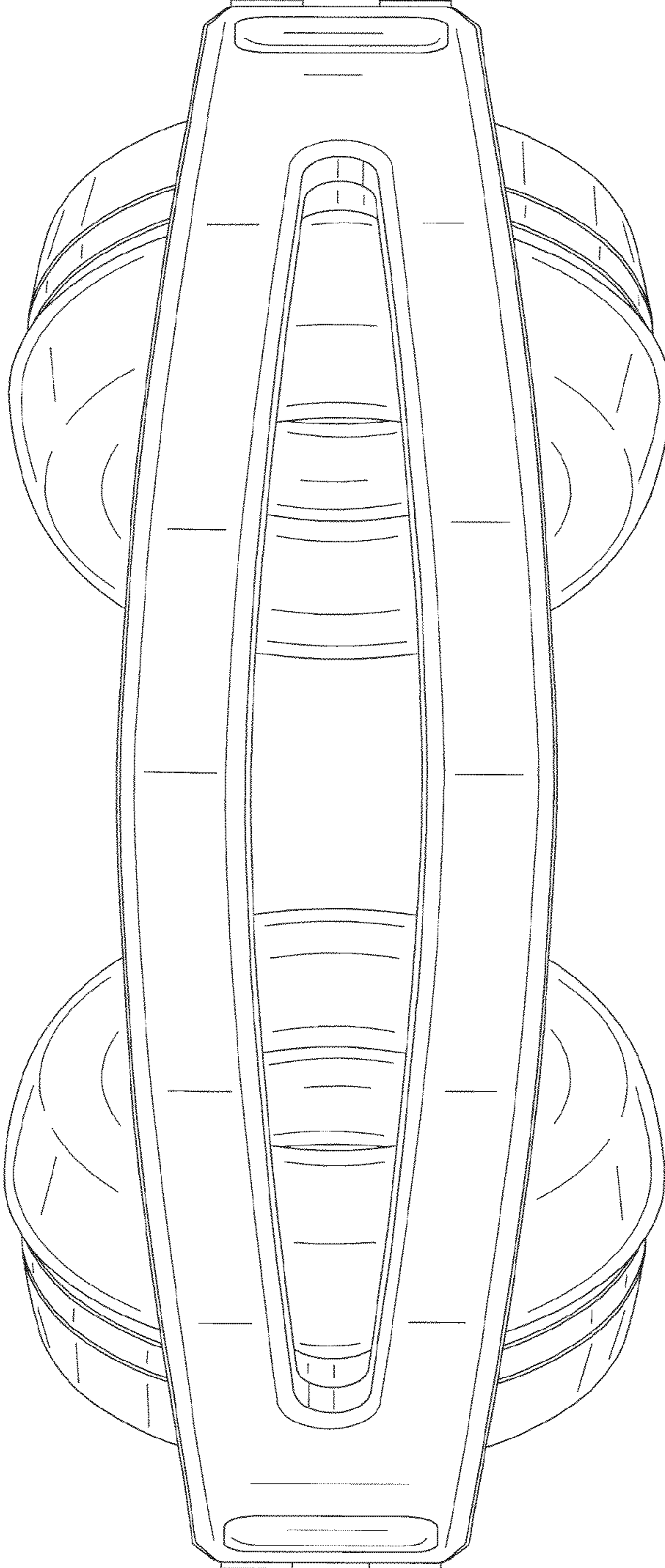


Fig. 5

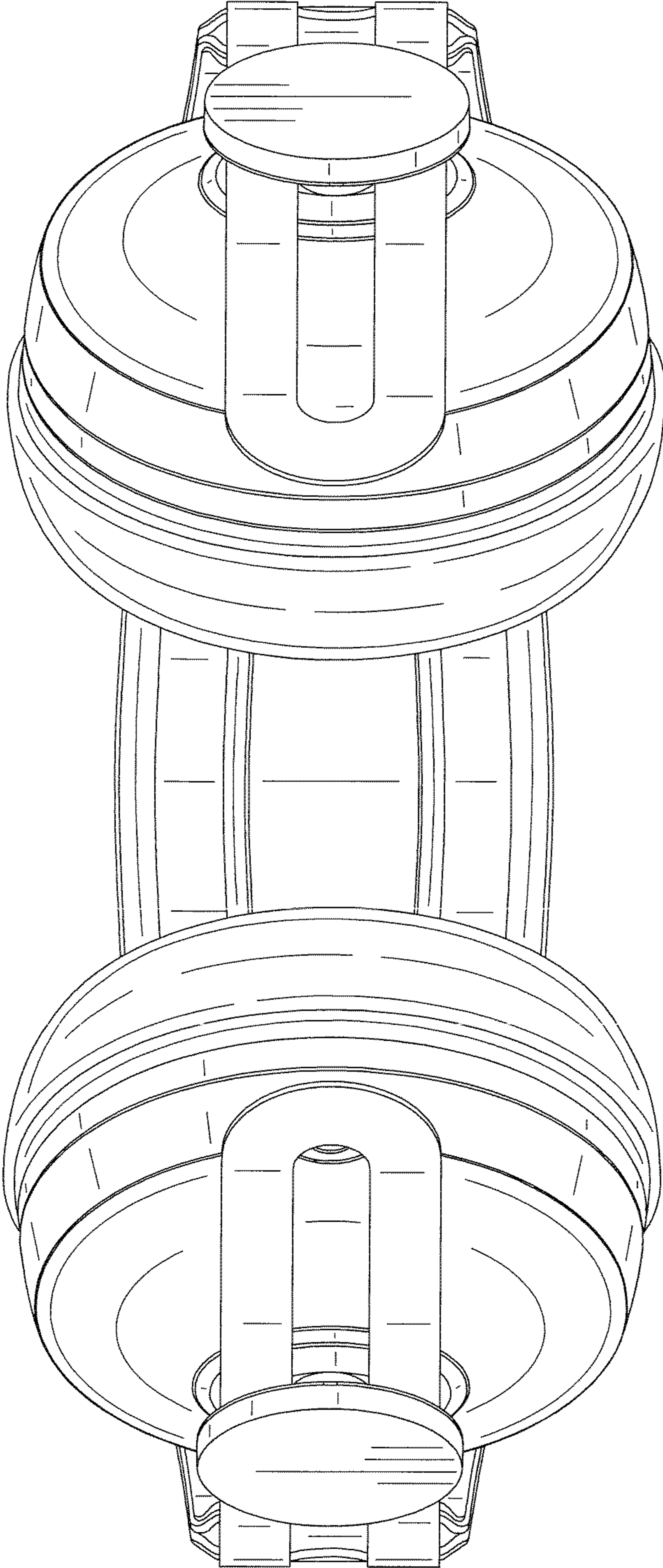


Fig. 6