



US00D724557S

(12) **United States Design Patent**
Katsuno

(10) **Patent No.:** **US D724,557 S**
(45) **Date of Patent:** **** Mar. 17, 2015**

(54) **IN-VEHICLE DIGITAL AUDIO PLAYER**

(75) Inventor: **Keita Katsuno**, Chiba (JP)

(73) Assignee: **Clarion Co., Ltd.**, Saitama-shi (JP)

(**) Term: **14 Years**

(21) Appl. No.: **29/427,474**

(22) Filed: **Jul. 18, 2012**

(30) **Foreign Application Priority Data**

Feb. 10, 2012 (JP) 2012-002819

(51) **LOC (10) CL.** **14-03**

(52) **U.S. CL.**
USPC **D14/157**; D14/498; D14/258

(58) **Field of Classification Search**
USPC D14/126, 129, 131–133, 203.1, 203.4,
D14/137, 155, 157, 168–171, 188, 194, 197,
D14/198, 239, 257, 258, 496, 498–508;
455/90.1–90.3, 344–355; 369/6–12
See application file for complete search history.

(56) **References Cited**

U.S. PATENT DOCUMENTS

D483,733 S	*	12/2003	Yoshihara	D14/157
D537,433 S	*	2/2007	Shimizu	D14/505
D541,795 S	*	5/2007	Kimura et al.	D14/258
D553,643 S	*	10/2007	Nemoto	D14/496
D554,087 S	*	10/2007	Matsumoto	D14/505
D554,088 S	*	10/2007	Matsumoto	D14/505
D565,043 S	*	3/2008	Shiono	D14/258
D571,350 S	*	6/2008	Iwamoto et al.	D14/157

D578,522 S	*	10/2008	Muto	D14/258
D583,371 S	*	12/2008	Yamamoto	D14/258
D593,989 S	*	6/2009	Endo et al.	D14/157
D603,367 S	*	11/2009	Shimizu	D14/157
D604,287 S	*	11/2009	Kimura et al.	D14/258
D611,059 S	*	3/2010	Sugita	D14/505
D611,060 S	*	3/2010	Sugita	D14/505
D633,072 S	*	2/2011	Kitamura	D14/157
D633,074 S	*	2/2011	Tomono	D14/157
D645,464 S	*	9/2011	Kimura	D14/257
D671,520 S	*	11/2012	Kanou	D14/157
D671,906 S	*	12/2012	Kimura	D14/157
D680,094 S	*	4/2013	Kanou	D14/157

* cited by examiner

Primary Examiner — Keli L Hill

(74) *Attorney, Agent, or Firm* — McDermott Will & Emery LLP

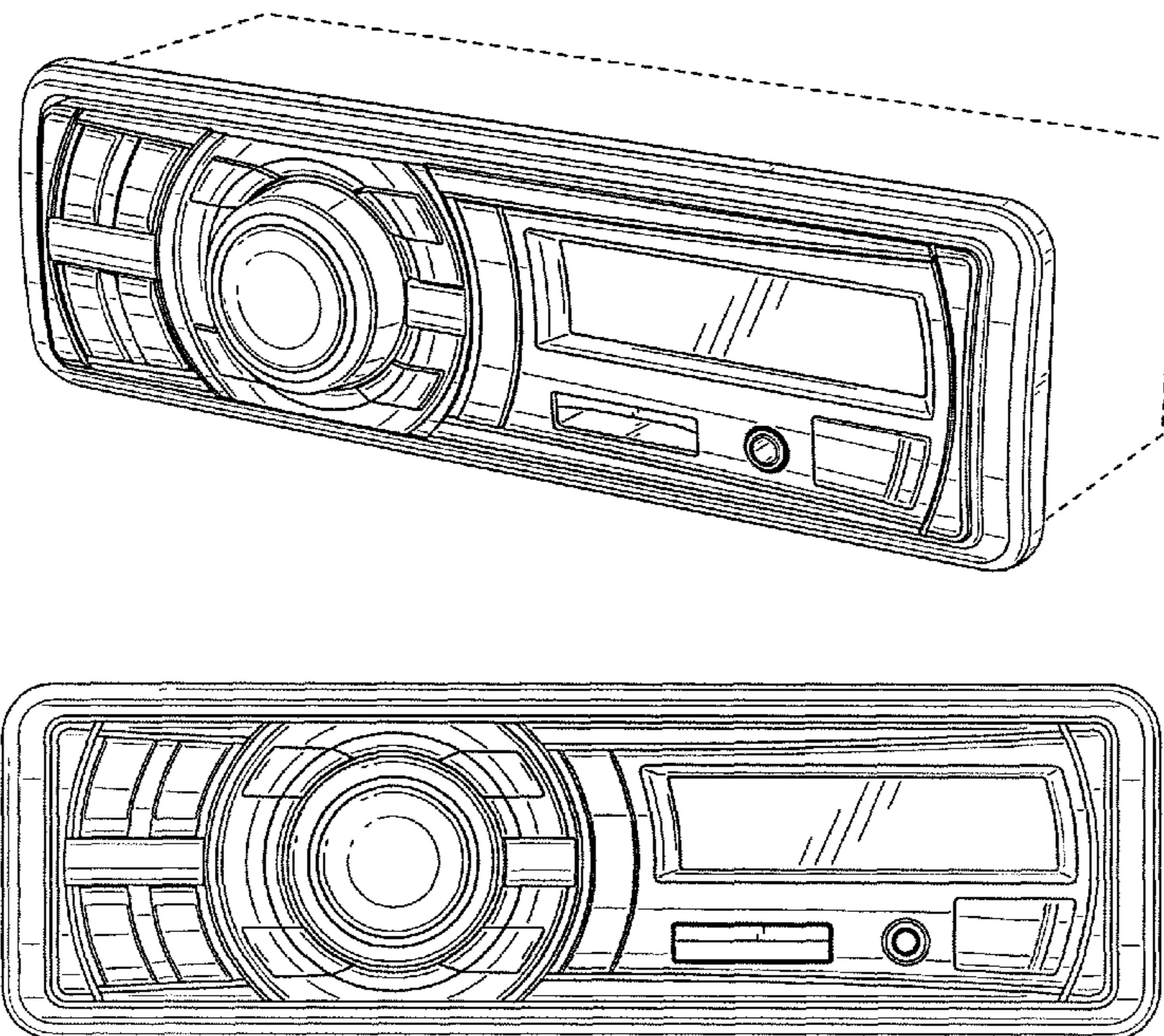
(57) **CLAIM**

The ornamental design for an in-vehicle digital audio player, as shown and described.

DESCRIPTION

FIG. 1 is a perspective view of an in-vehicle digital audio player;
FIG. 2 is a front view thereof;
FIG. 3 is a rear view thereof;
FIG. 4 is a left side view thereof;
FIG. 5 is a right side view thereof;
FIG. 6 is a top view thereof; and,
FIG. 7 is a bottom view thereof.
The broken lines in the drawings illustrate environmental subject matter only and form no part of the claimed design.

1 Claim, 4 Drawing Sheets



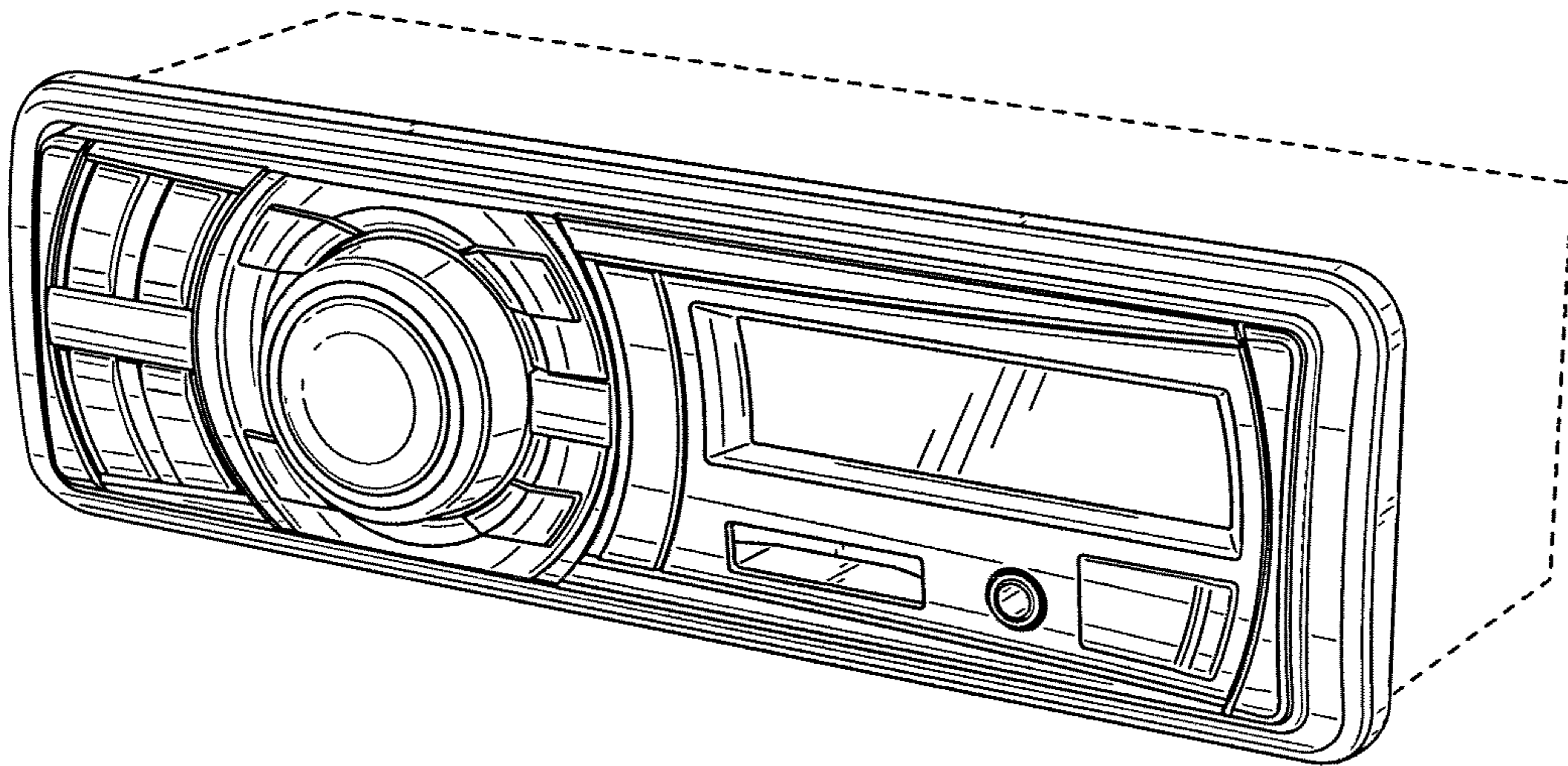


FIG. 1

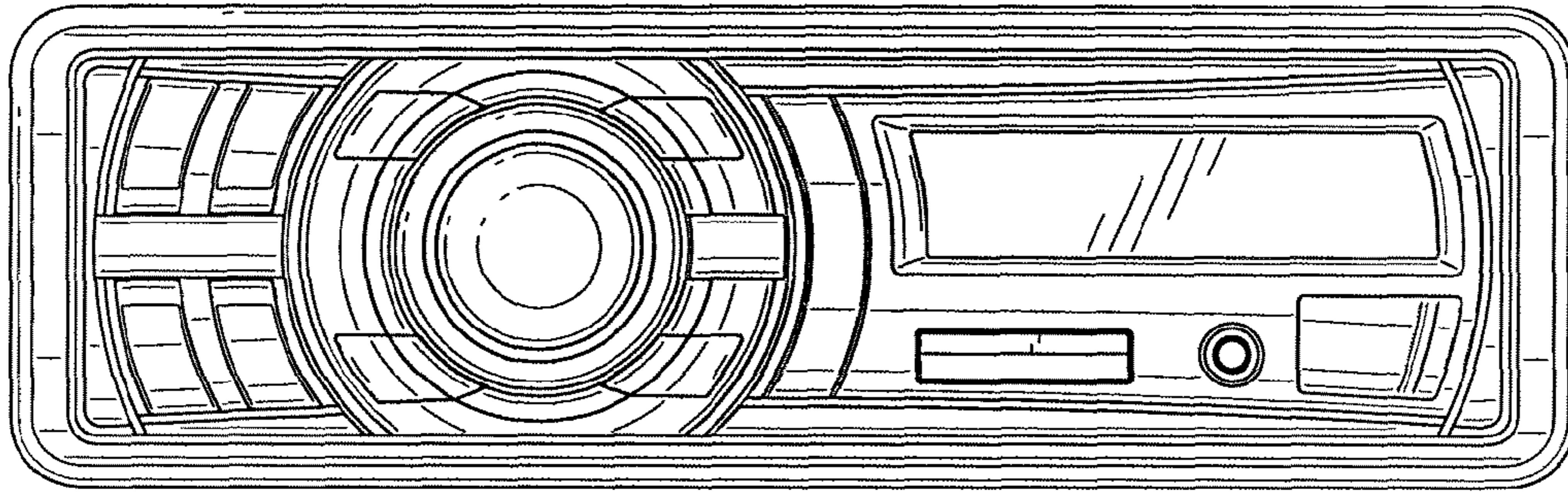


FIG. 2

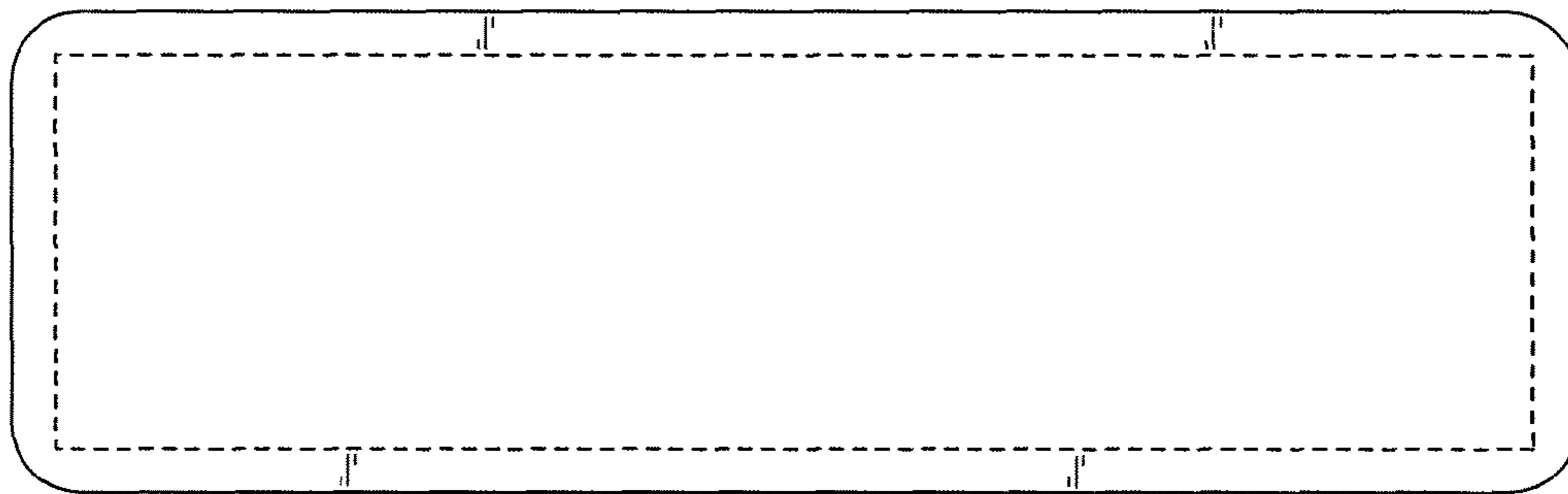


FIG. 3

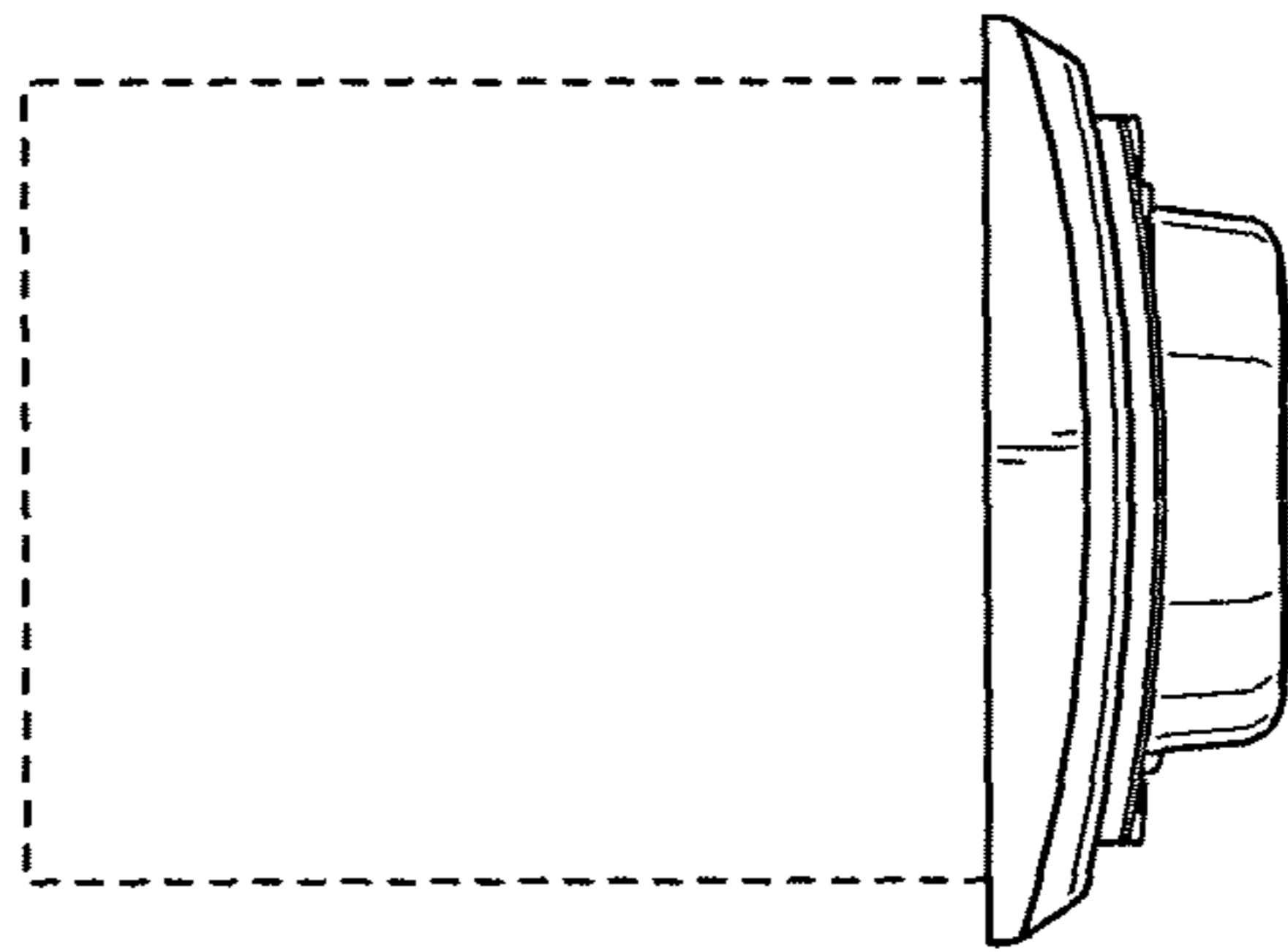


FIG. 4

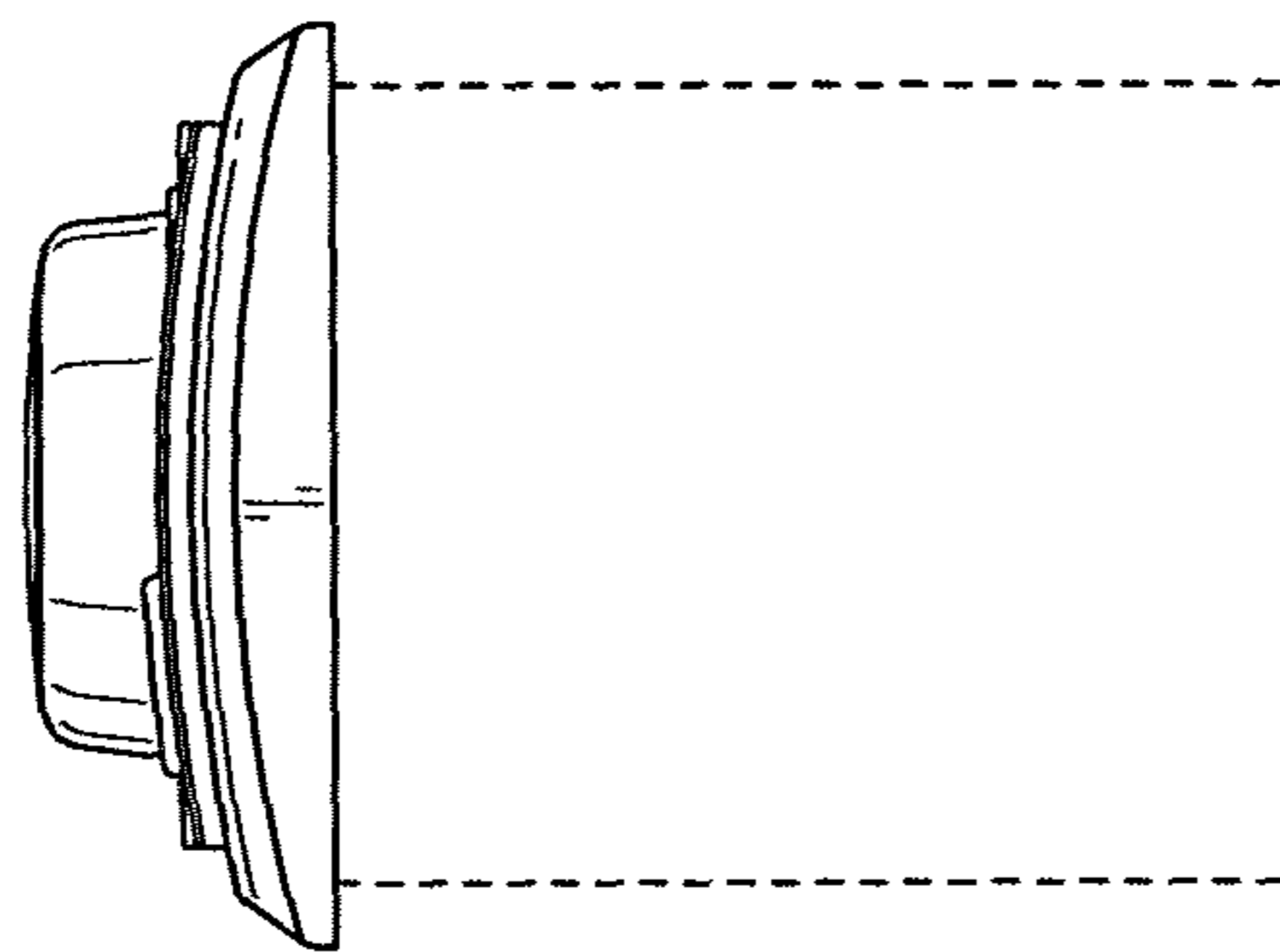


FIG. 5

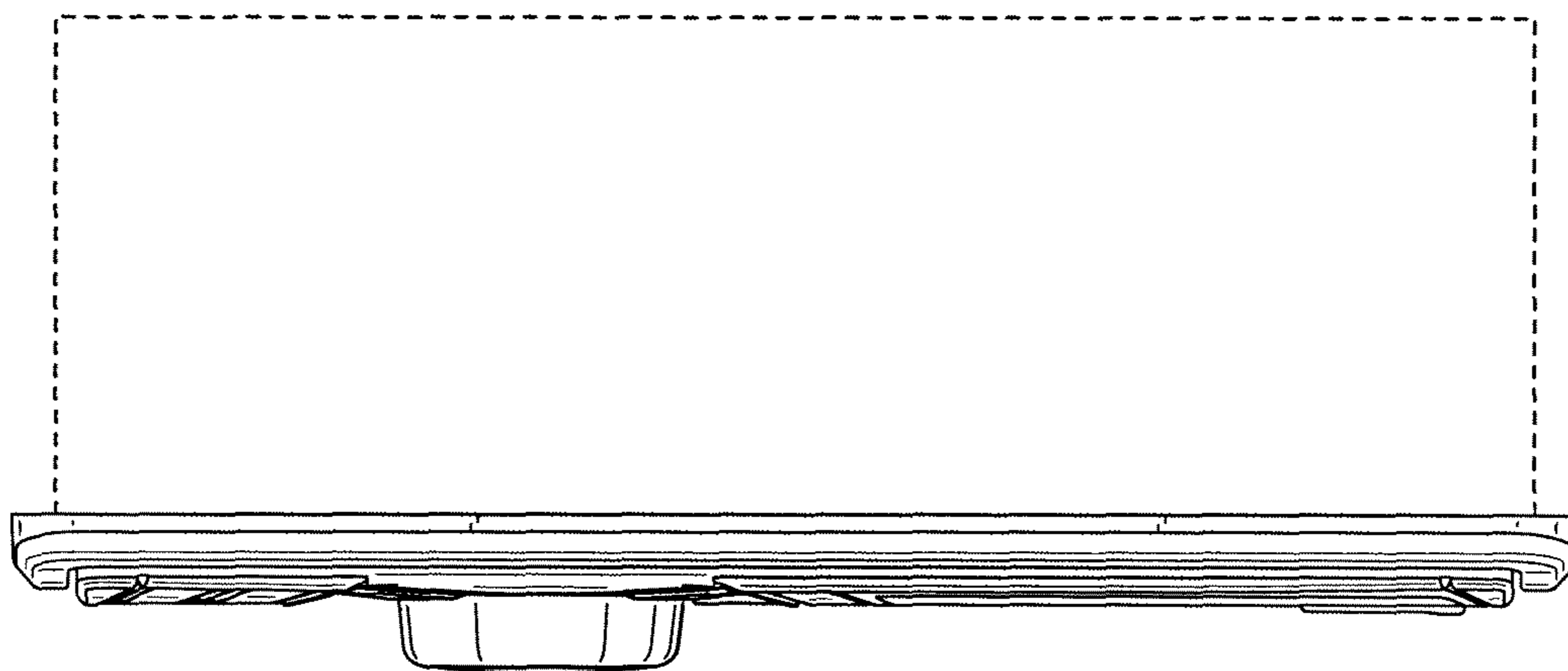


FIG. 6

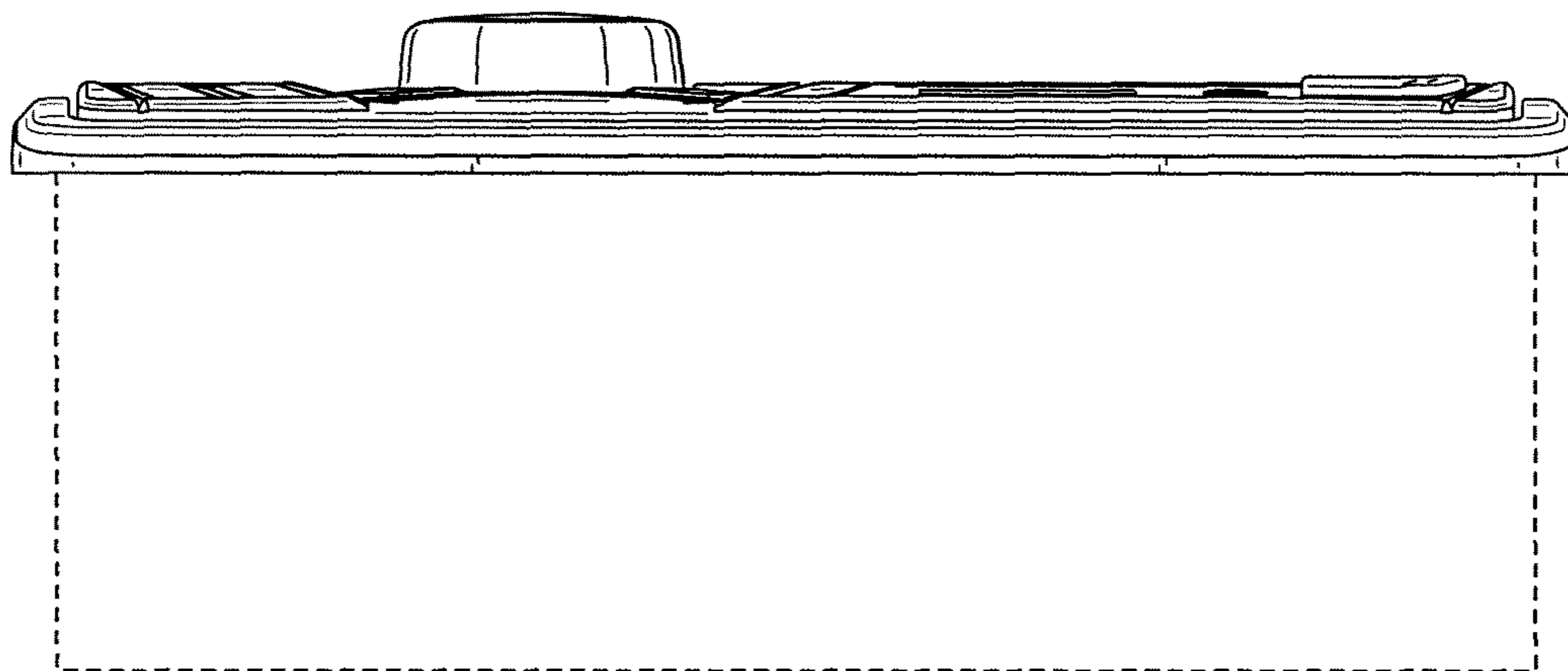


FIG. 7