



US00D724556S

(12) **United States Design Patent**
Choi et al.

(10) **Patent No.:** **US D724,556 S**
(45) **Date of Patent:** **** Mar. 17, 2015**

(54) **WIRELESS COMMUNICATION DEVICE FOR MOBILE PHONES**

(71) Applicant: **LG Electronics Inc.**, Seoul (KR)

(72) Inventors: **Won Sang Choi**, Seoul (KR); **Dong Soon Kim**, Seoul (KR)

(73) Assignee: **LG Electronics Inc.**, Seoul (KR)

(**) Term: **14 Years**

(21) Appl. No.: **29/453,246**

(22) Filed: **Apr. 26, 2013**

(30) **Foreign Application Priority Data**

Nov. 14, 2012 (KR) 30-2012-0054456

(51) **LOC (10) Cl.** **14-03**

(52) **U.S. Cl.**
USPC **D14/138 R**; D14/344; D10/32

(58) **Field of Classification Search**
USPC D14/140, 137, 138 R, 138 AB, 139, 155, D14/203.1, 203.3, 203.4, 203.5, 203.7, 248, D14/226, 218, 144, 240, 341, 346, 496; D10/30-39, 70, 65, 78, 104.1, 104.2, D10/125; D11/3-5, 12, 19, 25; D13/168; D8/354, 366, 402, 499; D3/215; D15/199; 381/364, 151; 379/433.1; 455/575.1, 556.1, 556.2, 558, 575.3, 455/575.4, 575.6, 90.3; 368/10, 13, 69, 368/223; D21/329; D24/167
See application file for complete search history.

(56) **References Cited**

U.S. PATENT DOCUMENTS

D80,307 S * 1/1930 Conant D10/38
D266,230 S * 9/1982 Tsukahara D10/38
4,444,513 A * 4/1984 Proelochs et al. 368/223
4,673,936 A * 6/1987 Kotoh 342/51
D293,892 S * 1/1988 Ichikawa D10/38
4,853,682 A * 8/1989 Asano et al. 345/169

D331,020 S * 11/1992 Ishii et al. D10/31
D361,042 S * 8/1995 Nanayakkara D10/31
D361,723 S * 8/1995 Nanayakkara D10/31
D364,097 S * 11/1995 Mickey, Sr. D10/125
D364,570 S * 11/1995 Nanayakkara D10/31
5,838,643 A * 11/1998 Reiner 368/223
D419,899 S * 2/2000 Levar et al. D10/104.1
6,212,414 B1 * 4/2001 Alameh et al. 455/575.6
D447,704 S * 9/2001 Deguines D10/39

(Continued)

OTHER PUBLICATIONS

Wrist type mobile devices (1/8-Designs- © Questel). orbit.com [online] 35 pages. Uploaded range from 2012-2014 [retrieved on Aug. 26, 2014]. Retrieved from Internet: <http://sobjprd.questel.fr/export/QPTUJ214/pdf2/0d8b8de5-a86b-43d0-a833-96f92dd739c2-202020.pdf>.*

Primary Examiner — Susan Bennett Hattan

Assistant Examiner — Marie Fast Horse

(74) *Attorney, Agent, or Firm* — Birch, Stewart, Kolasch & Birch, LLP

(57) **CLAIM**

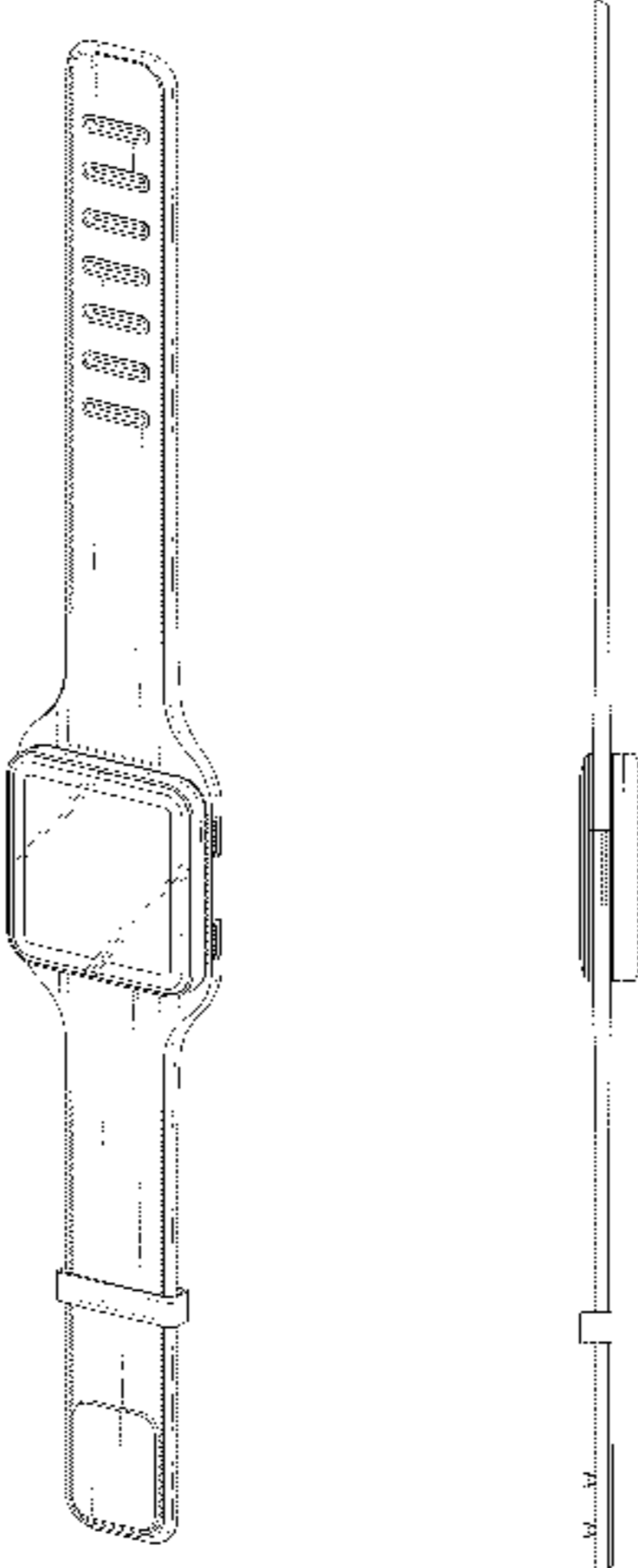
We claim the ornamental design for a wireless communication device for mobile phones, as shown and described.

DESCRIPTION

FIG. 1 is a perspective view of a wireless communication device for mobile phones showing the new design;
FIG. 2 is a front elevation view thereof;
FIG. 3 is a rear elevation view thereof;
FIG. 4 is a left-side elevation view thereof;
FIG. 5 is a right-side elevation view thereof;
FIG. 6 is a top plan view thereof;
FIG. 7 is a bottom plan view thereof; and,
FIG. 8 is an enlarged fragment of a perspective view showing a state of use thereof.

The broken lines shown in FIG. 3 are included for the purpose of illustrating portions of the article that form no part of the claim.

1 Claim, 5 Drawing Sheets



(56)

References Cited

U.S. PATENT DOCUMENTS

6,556,222 B1 *	4/2003	Narayanaswami	715/786	D667,126 S *	9/2012	Cho et al.	D24/186
6,678,535 B1 *	1/2004	Narayanaswami	455/557	8,301,211 B2 *	10/2012	Lee et al.	455/575.6
D528,439 S *	9/2006	Burton	D10/32	D672,255 S *	12/2012	Zanella et al.	D10/32
D528,441 S *	9/2006	Burton	D10/38	D674,488 S *	1/2013	McKay et al.	D24/167
D528,928 S *	9/2006	Burton	D10/38	D676,007 S *	2/2013	McCrary	D14/126
D535,205 S *	1/2007	Frederick et al.	D10/104.1	8,380,258 B2 *	2/2013	Kim et al.	455/575.1
D584,170 S *	1/2009	Morrison	D10/32	D701,504 S *	3/2014	Christopher et al.	D14/344
D589,375 S *	3/2009	Tang	D10/32	D703,204 S *	4/2014	Riddiford et al.	D14/344
D596,610 S *	7/2009	Hou	D14/144	D708,534 S *	7/2014	Martin	D10/104.1
D599,217 S *	9/2009	Chen	D10/32	D708,980 S *	7/2014	Brantman	D10/128
D599,681 S *	9/2009	Chen	D10/32	D709,873 S *	7/2014	Aumiller et al.	D14/344
D621,808 S *	8/2010	Kim	D14/138 R	2007/0287923 A1 *	12/2007	Adkins et al.	600/485
D637,094 S *	5/2011	Cobbett et al.	D10/32	2009/0156255 A1 *	6/2009	Shin et al.	455/558
D637,918 S *	5/2011	Cobbett et al.	D10/31	2011/0059771 A1 *	3/2011	Kondo	455/556.2
D638,725 S *	5/2011	Morrison	D10/39	2012/0041278 A1 *	2/2012	Sadhu	600/301
D639,955 S *	6/2011	Riobo Aboy et al.	D24/165	2012/0051193 A1 *	3/2012	Yu	368/204
D645,360 S *	9/2011	Kiser et al.	D10/32	2012/0092383 A1 *	4/2012	Hysek et al.	345/684
D655,497 S *	3/2012	Stanley	D3/218	2012/0122519 A1 *	5/2012	Jochheim	455/556.1
D660,726 S *	5/2012	Register et al.	D10/38	2013/0197857 A1 *	8/2013	Lu et al.	702/141
				2014/0172983 A1 *	6/2014	Imamura	709/204
				2014/0177402 A1 *	6/2014	Carlson et al.	368/241
				2014/0177877 A1 *	6/2014	Liao et al.	381/122

* cited by examiner

FIG. 1

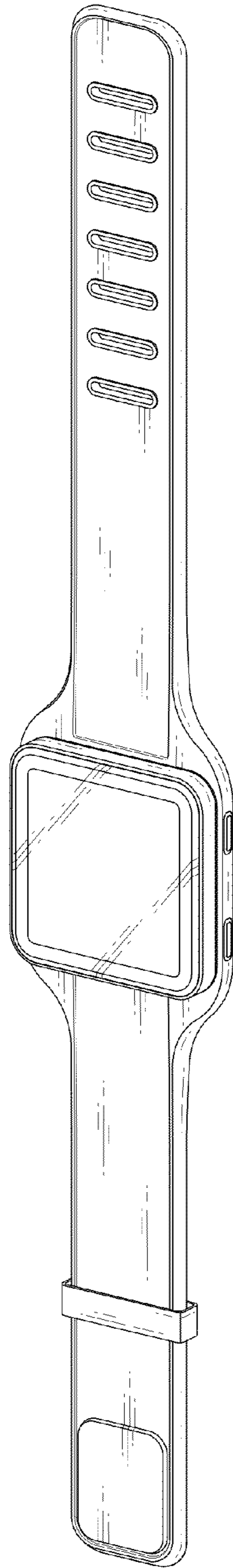


FIG. 2

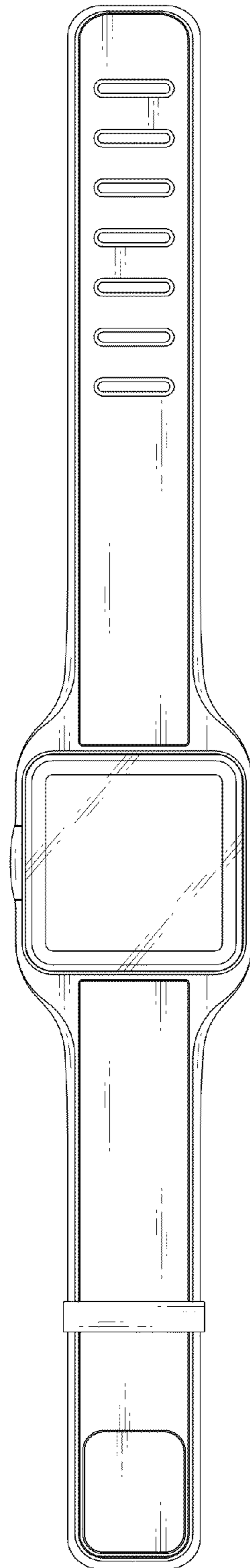


FIG. 3

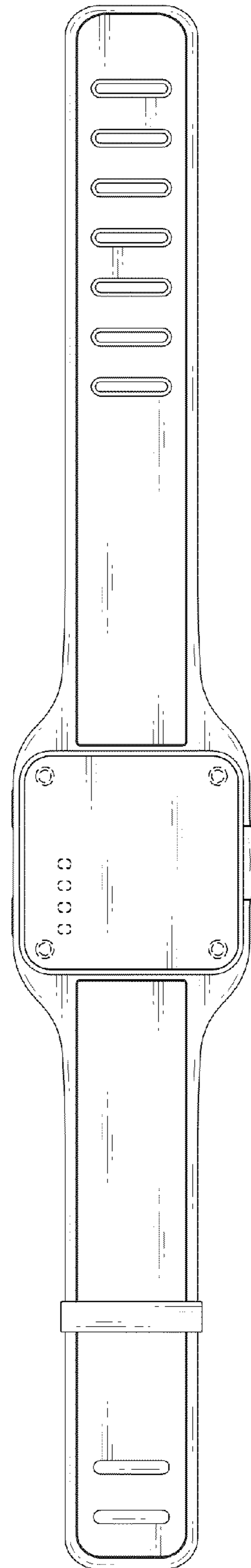


FIG. 4

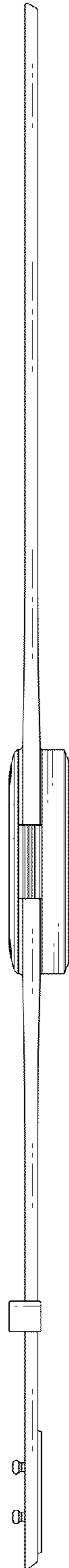


FIG. 5

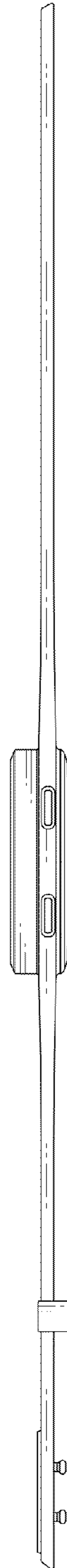


FIG. 6

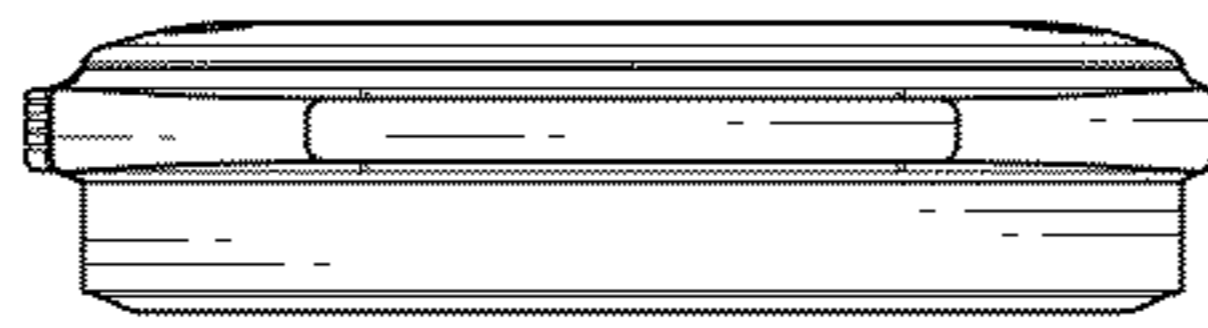


FIG. 7

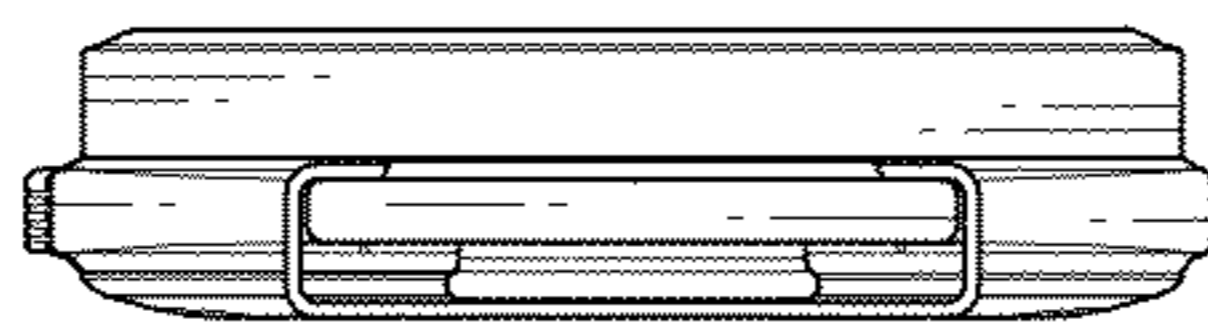


FIG. 8

