



US00D724550S

(12) **United States Design Patent**  
**Song**

(10) **Patent No.:** **US D724,550 S**  
(45) **Date of Patent:** **\*\* Mar. 17, 2015**

(54) **LED COMPONENT**  
(71) Applicant: **Kingbright Electronic Co., Ltd.**, New Taipei (TW)  
(72) Inventor: **Wen-Joe Song**, New Taipei (TW)  
(73) Assignee: **Kingbright Electronics Co. Ltd.** (TW)  
(\*\*) Term: **14 Years**

7,675,087 B1 \* 3/2010 Cheng et al. .... 257/99  
D624,511 S \* 9/2010 Watanabe et al. .... D13/180  
8,089,092 B2 \* 1/2012 Tanaka ..... 257/99  
8,222,653 B2 \* 7/2012 Tsuchiya ..... 257/91  
D671,506 S \* 11/2012 Lee et al. .... D13/180  
D671,507 S \* 11/2012 Lee et al. .... D13/180  
2007/0246731 A1 \* 10/2007 Isokawa et al. .... 257/99  
2009/0045428 A1 \* 2/2009 Lin ..... 257/99

\* cited by examiner

Primary Examiner — Selina Sikder

(74) *Attorney, Agent, or Firm* — Roger H. Chu

(21) Appl. No.: **29/490,349**  
(22) Filed: **May 9, 2014**  
(51) **LOC (10) Cl.** ..... **13-03**  
(52) **U.S. Cl.**  
USPC ..... **D13/180**

(57) **CLAIM**  
The ornamental design for a LED component, as shown and described.

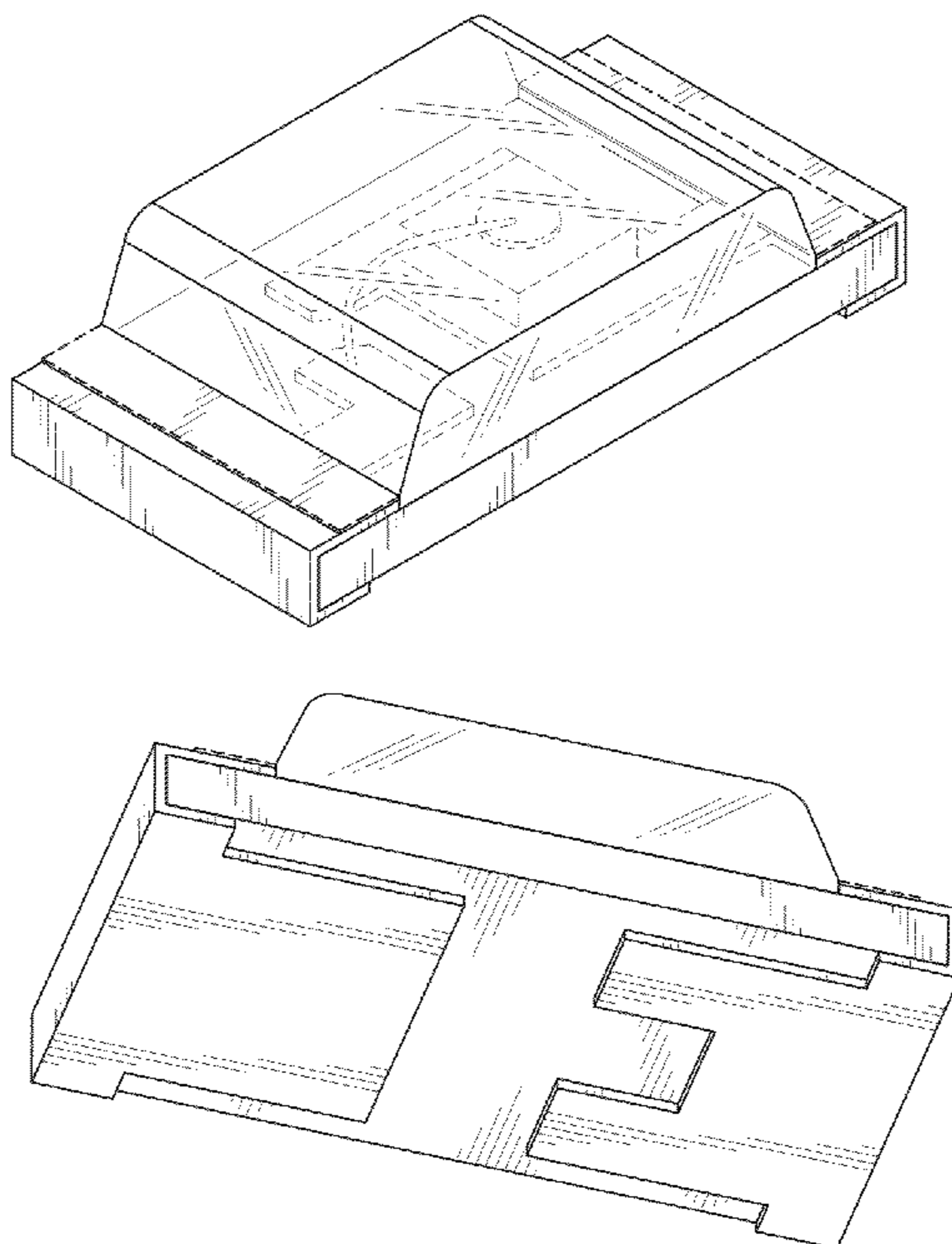
(58) **Field of Classification Search**  
CPC ... H01L 25/167; H01L 25/0753; H01L 27/15;  
H01L 27/156; H01L 31/02; H01L 33/00;  
H01L 33/04; H01L 33/08; H01L 33/10;  
H01L 33/20; H01L 33/38; H01L 33/42;  
H01L 33/48; H01L 33/483; H01L 33/486  
USPC ..... D13/180; D26/1; 257/79, 80, 81, 88,  
257/89, 95, 98, 99, 100, E33.058; 313/483,  
313/498, 500; 362/555, 800  
See application file for complete search history.

**DESCRIPTION**

FIG. 1 is a top, front and left side perspective view of a LED component showing my design;  
FIG. 2 is a front elevation view thereof;  
FIG. 3 is a rear elevation view thereof  
FIG. 4 is a left side elevation view thereof  
FIG. 5 is a right side elevation view thereof;  
FIG. 6 is a top plan view thereof;  
FIG. 7 is a bottom plan view thereof; and,  
FIG. 8 is a bottom, front and right side perspective view thereof.  
The broken line showing in the embodiments of FIGS. 1-8 are for illustrative purposes only and forms no part of the claimed design. The top layer can have be visually transparent or translucent as shown in the embodiments of FIGS. 1-8.

(56) **References Cited**  
U.S. PATENT DOCUMENTS  
6,777,719 B1 \* 8/2004 Fujii ..... 257/99  
6,847,116 B2 \* 1/2005 Isokawa ..... 257/736  
7,002,185 B2 \* 2/2006 Isokawa ..... 257/99  
D609,653 S \* 2/2010 Watanabe et al. .... D13/180

**1 Claim, 5 Drawing Sheets**



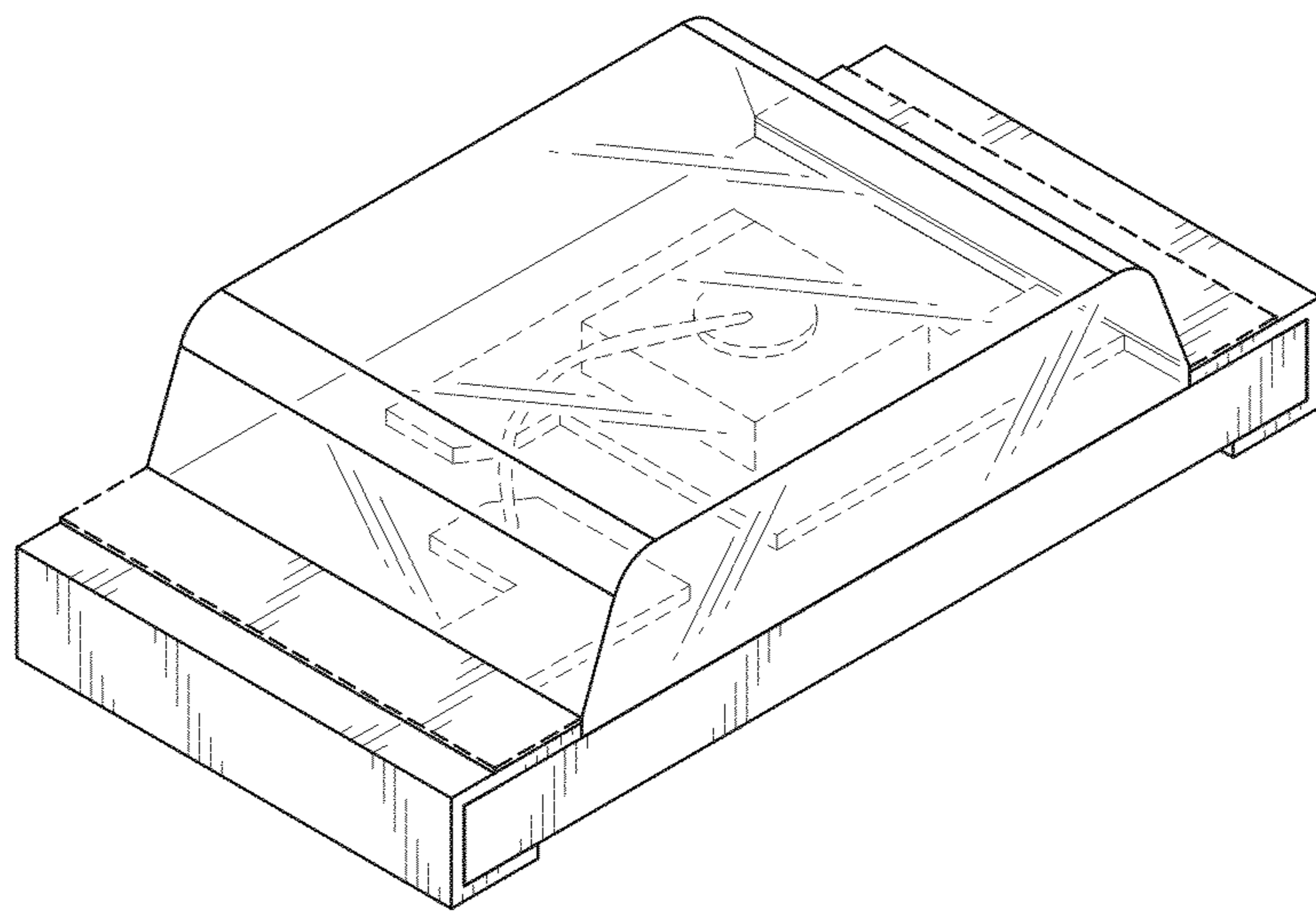


FIG. 1

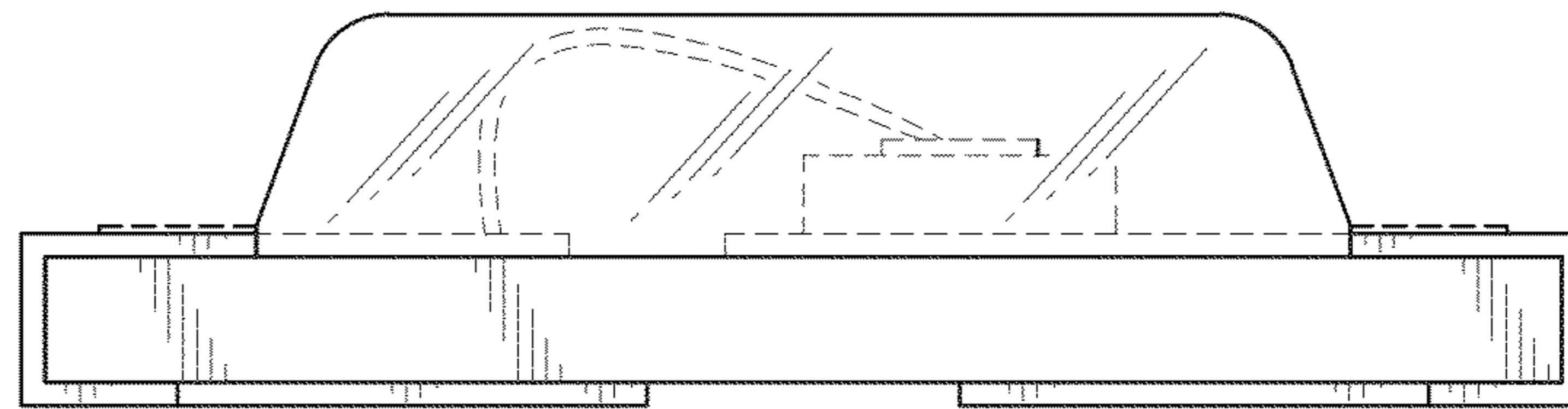


FIG. 2

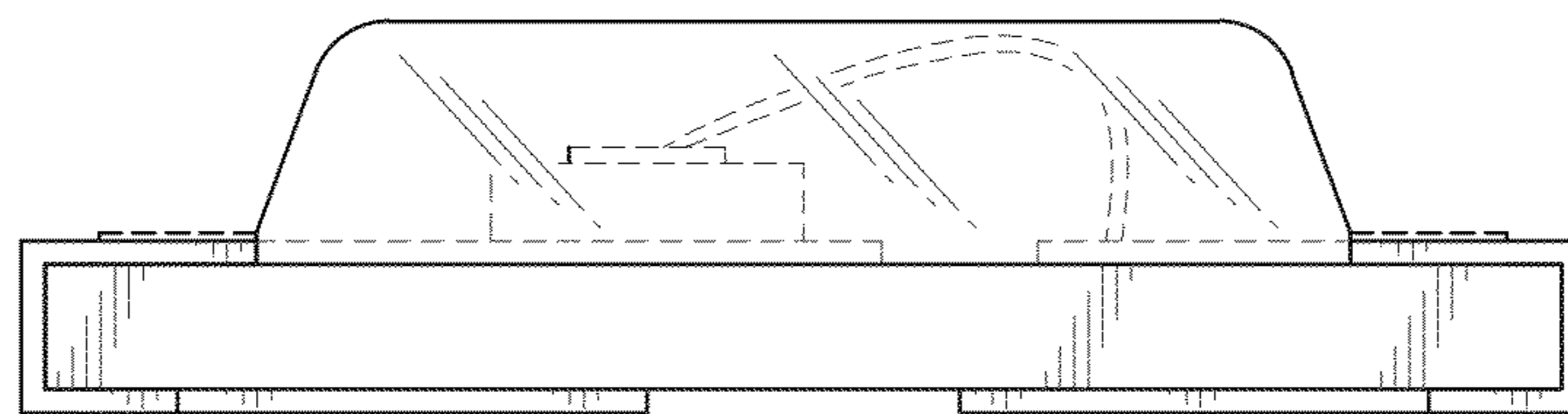


FIG. 3

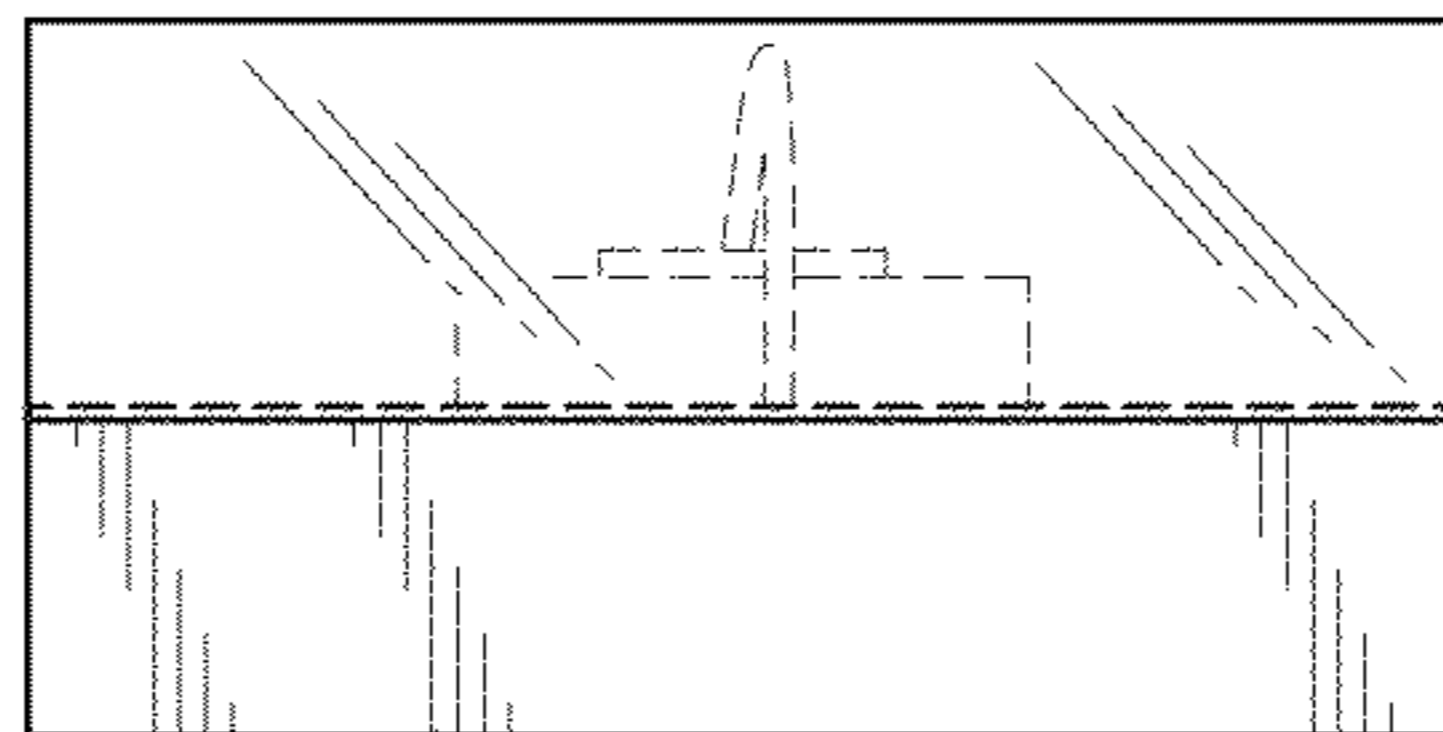


FIG. 4

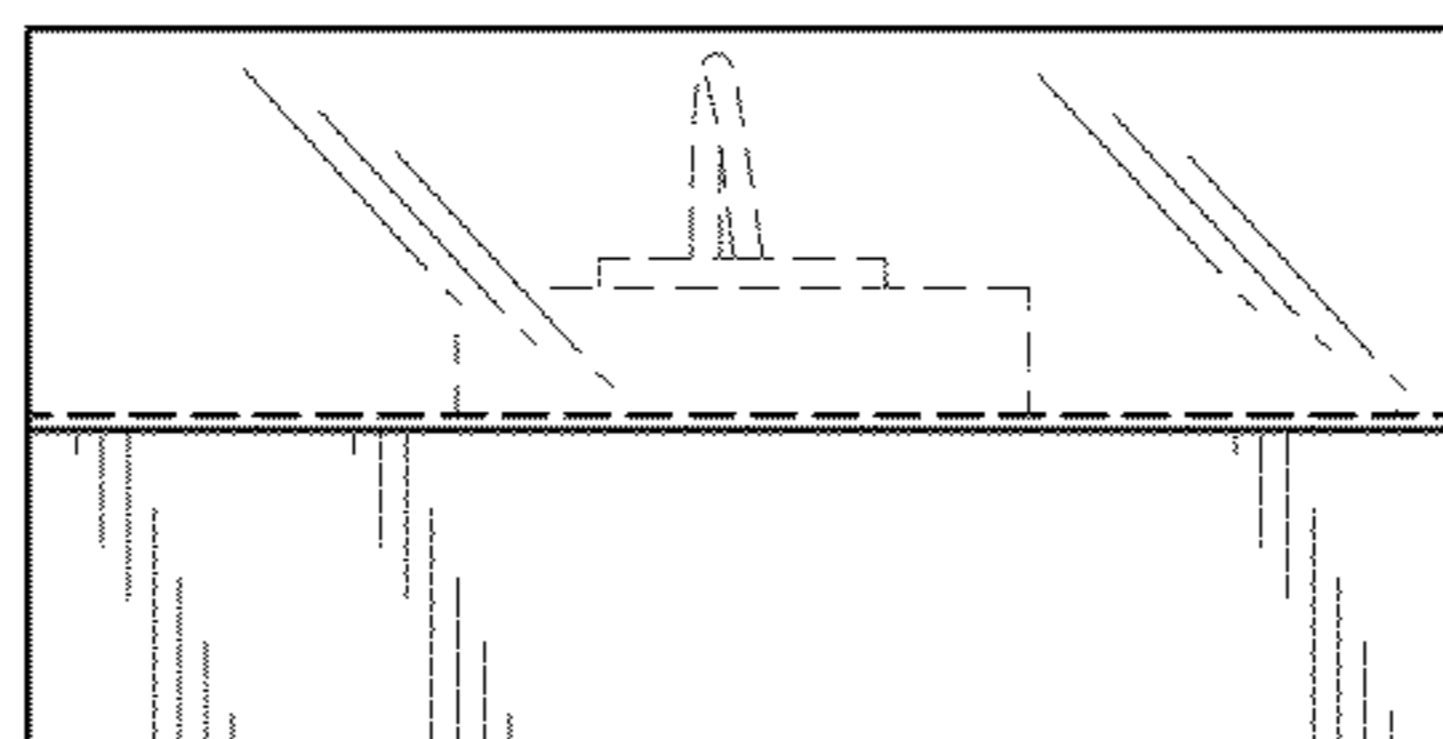


FIG. 5

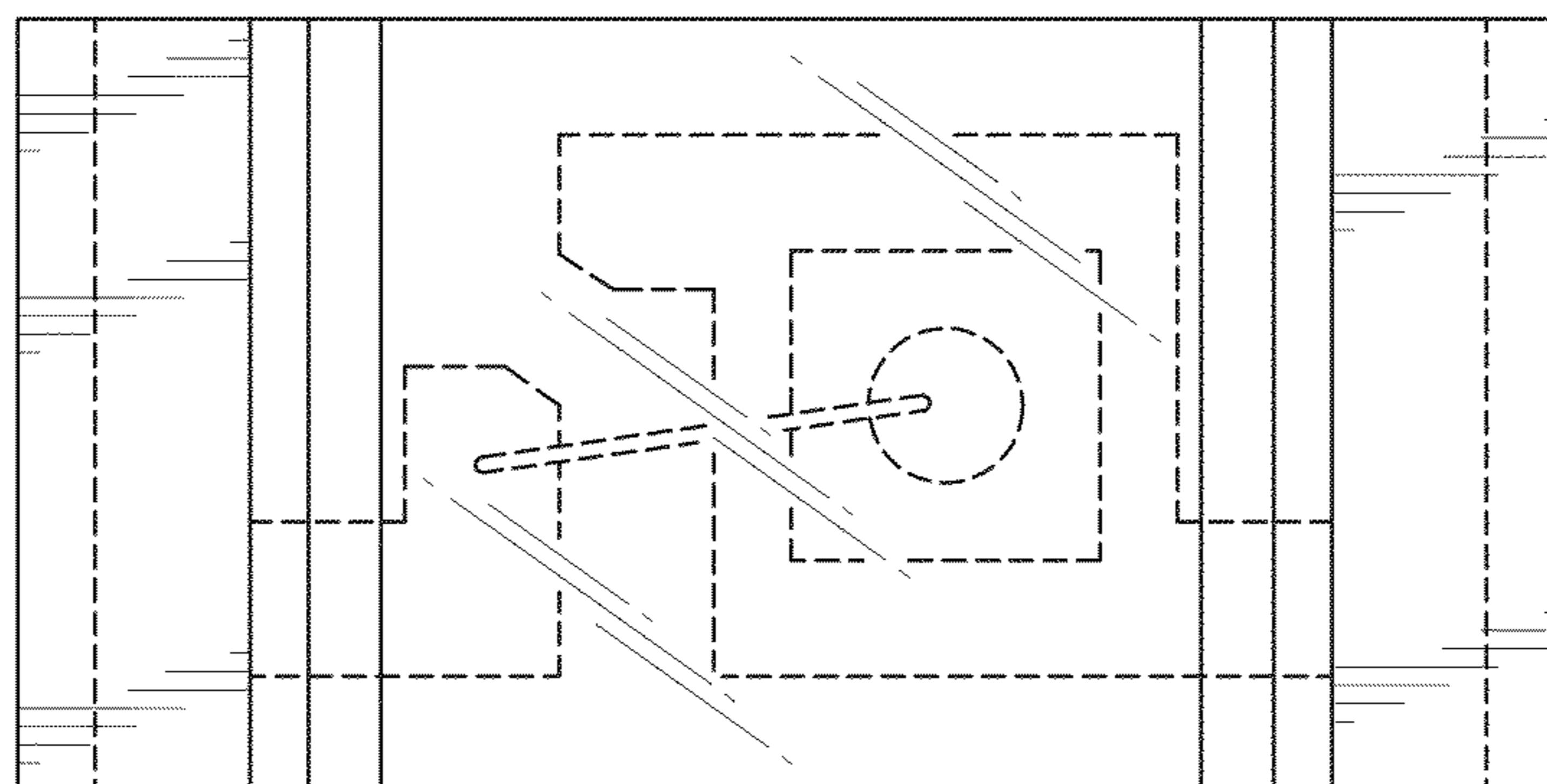


FIG. 6

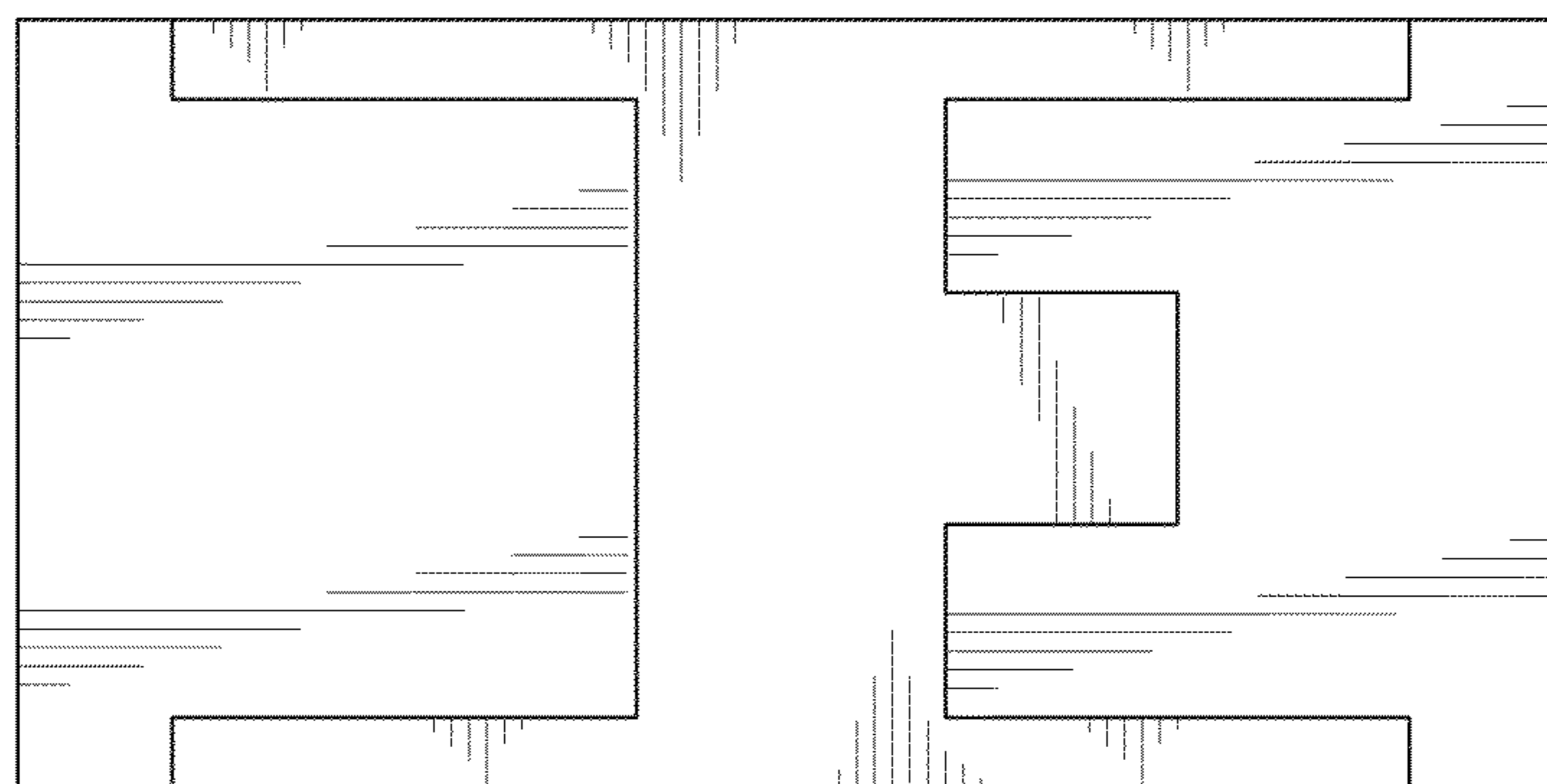


FIG. 7

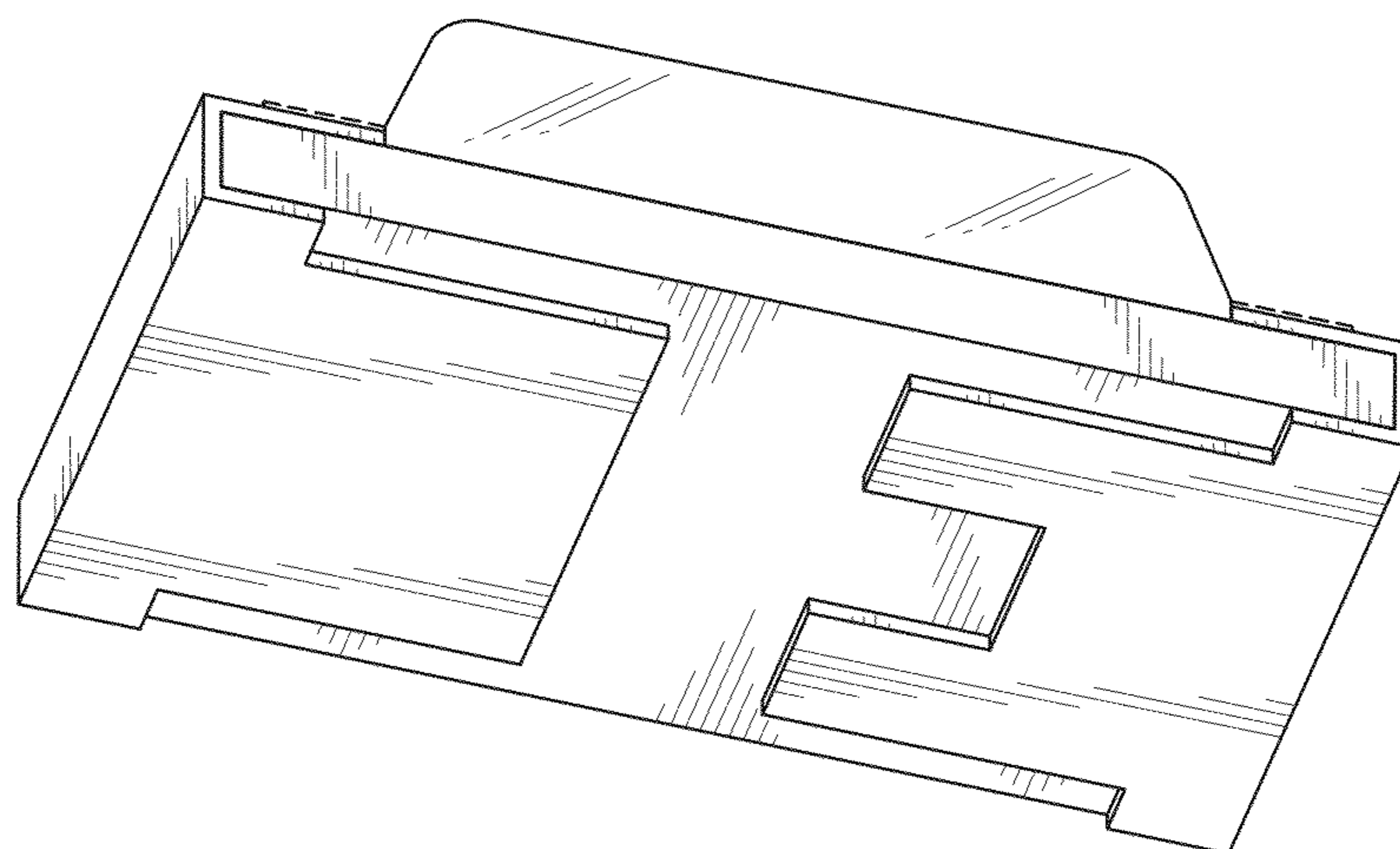


FIG. 8