



US00D724547S

(12) **United States Design Patent**
Baldwin et al.

(10) **Patent No.:** **US D724,547 S**
(45) **Date of Patent:** **** Mar. 17, 2015**

(54) **REMOTE CONTROL**

(71) Applicant: **Intel Corporation**, Santa Clara, CA (US)

(72) Inventors: **James Baldwin**, Palo Alto, CA (US);
Michael Castillo, Hillsboro, OR (US);
Edward Clapper, Tempe, AZ (US)

(73) Assignee: **Intel Corporation**, Santa Clara

(**) Term: **14 Years**

(21) Appl. No.: **29/440,996**

(22) Filed: **Dec. 28, 2012**

(51) **LOC (10) Cl.** **14-03**

(52) **U.S. Cl.**
USPC **D13/168**

(58) **Field of Classification Search**
USPC D13/168; D14/218; 340/4.3, 4.42,
340/12.22, 12.23, 12.24, 12.29, 12.3, 12.55,
340/13.2, 13.21, 13.24; 341/176; 345/169;
348/734; 455/352; 700/17, 65, 83, 278
See application file for complete search history.

(56) **References Cited**

U.S. PATENT DOCUMENTS

5,383,044 A * 1/1995 Borchardt et al. 398/111
D376,351 S * 12/1996 Matsumoto D14/346
D450,313 S * 11/2001 Koinuma D14/218
D503,409 S * 3/2005 Wong et al. D14/203.7

D513,611 S * 1/2006 Hibi D14/507
D561,199 S * 2/2008 Morisawa D14/496
D593,132 S * 5/2009 Kim D14/496
D621,371 S * 8/2010 Sheppard et al. D13/168
D621,372 S * 8/2010 Won et al. D13/168
D631,851 S * 2/2011 Smith et al. D13/168
D638,806 S * 5/2011 Kim et al. D13/168
D648,285 S * 11/2011 Kashimoto D13/168
D672,336 S * 12/2012 Lister et al. D14/218
D673,926 S * 1/2013 Fahlgren et al. D14/138 G

* cited by examiner

Primary Examiner — Selina Sikder

(74) *Attorney, Agent, or Firm* — Patent Capital Group

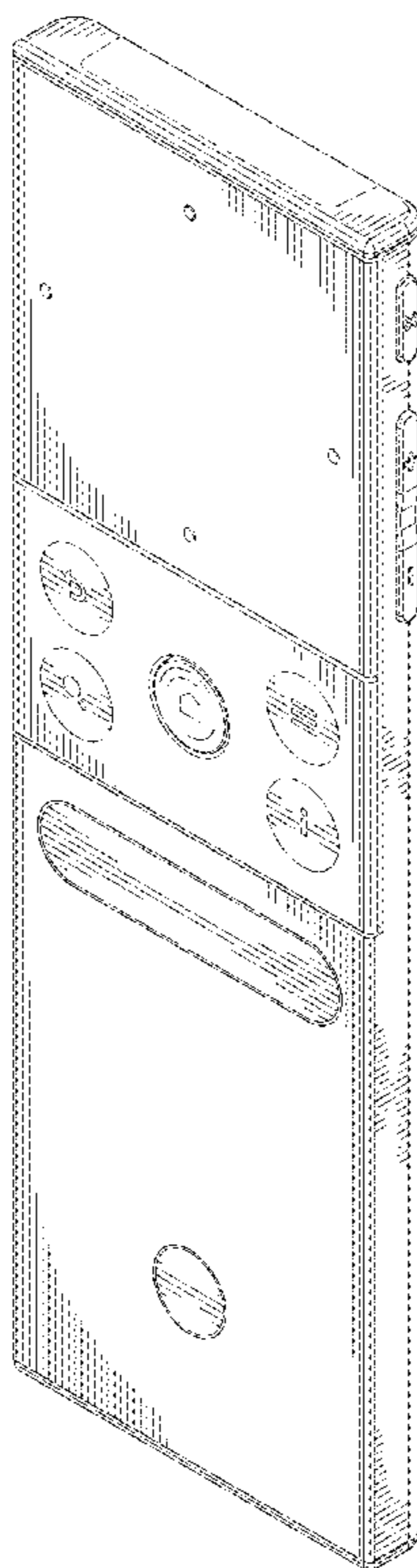
(57) **CLAIM**

The ornamental design for a remote control, as shown and described.

DESCRIPTION

FIG. 1 is a perspective view illustrating a remote control design according to the present design;
FIG. 2 is a front view thereof;
FIG. 3 is a back thereof;
FIG. 4 is a side view thereof;
FIG. 5 is another side view thereof;
FIG. 6 is a top view thereof; and,
FIG. 7 is a bottom view thereof.
The broken lines showing portions of the remote control is for illustrative purposes only and forms no part of the claimed design.

1 Claim, 4 Drawing Sheets



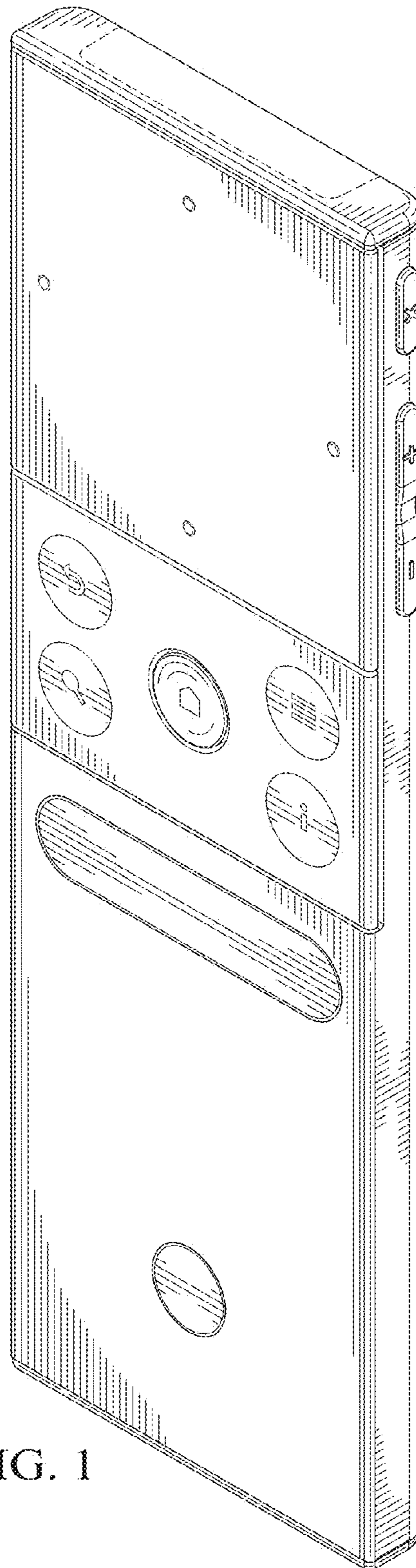


FIG. 1

FIG. 2

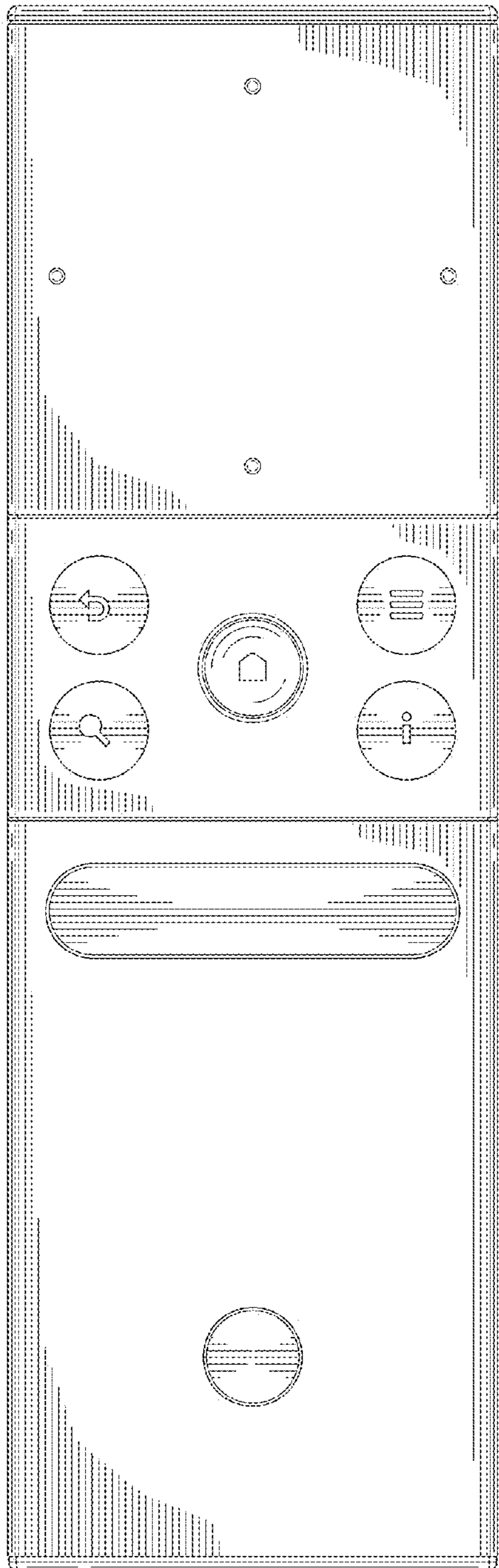
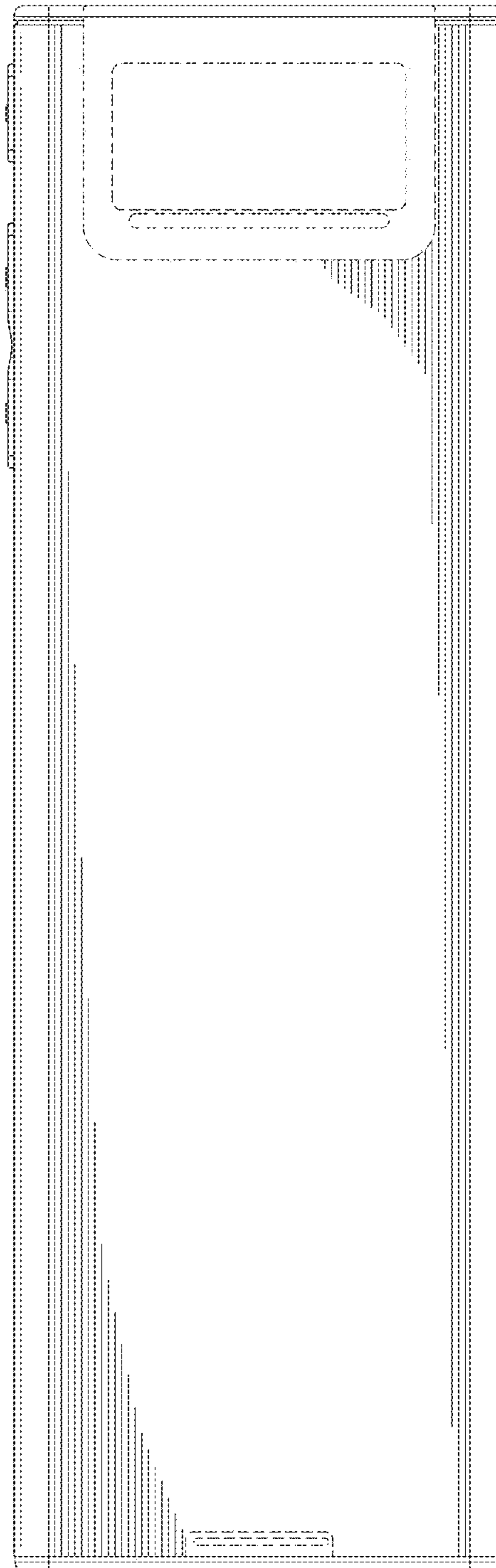


FIG. 3



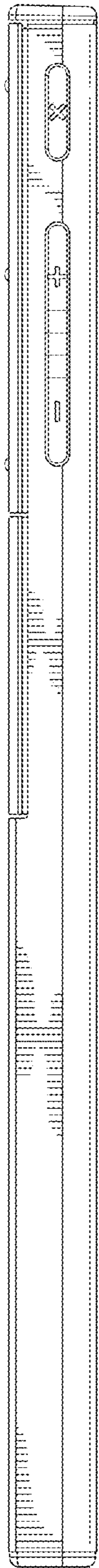


FIG. 4



FIG. 5

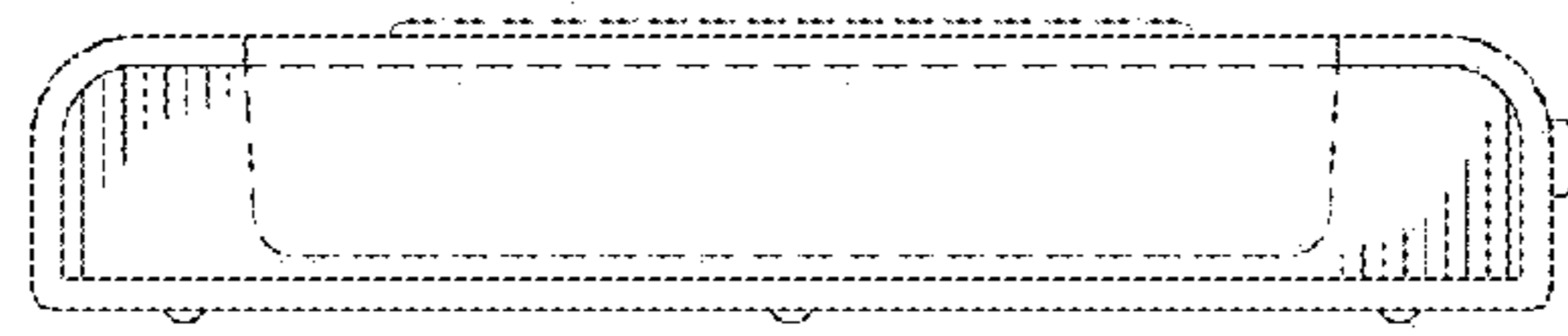


FIG. 6

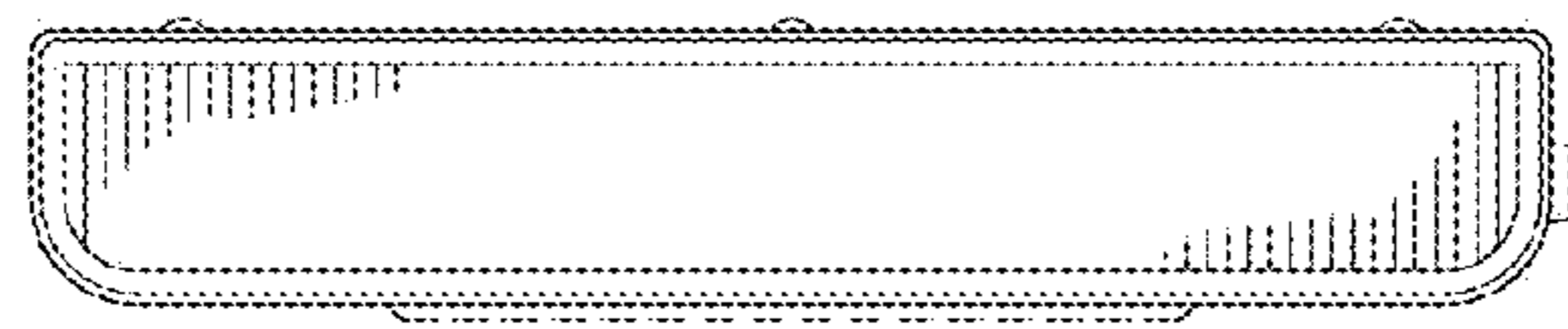


FIG. 7