



US00D724546S

(12) **United States Design Patent**  
**Liu et al.**

(10) **Patent No.:** **US D724,546 S**  
(45) **Date of Patent:** **\*\* Mar. 17, 2015**

(54) **REMOTE TERMINAL UNIT CONTROLLER**

(71) Applicant: **Honeywell International Inc.**,  
Morristown, NJ (US)  
(72) Inventors: **Chaohong Liu**, Shanghai (CN);  
**Liu-Holly Hong**, Shnanghai (CN); **Lei Zou**,  
Shanghai (CN)  
(73) Assignee: **Honeywell International Inc.**,  
Morristown, NJ (US)

(\*\*) Term: **14 Years**

(21) Appl. No.: **29/471,760**

(22) Filed: **Nov. 5, 2013**

(51) **LOC (10) Cl.** ..... **13-03**

(52) **U.S. Cl.**  
USPC ..... **D13/162**

(58) **Field of Classification Search**  
USPC ..... D13/158, 162, 168; D14/348, 349, 439;  
361/622, 627, 628, 679.01, 679.02,  
361/679.4, 679.46, 728, 729, 730;  
362/23.09; 439/59, 76.1, 717; 700/2,  
700/12, 7, 17, 18; 710/5, 18-20, 52;  
702/188; 714/456

See application file for complete search history.

(56) **References Cited**

**U.S. PATENT DOCUMENTS**

D281,493	S	*	11/1985	Prager et al.	.....	D13/162.1
5,000,692	A	*	3/1991	Taniguchi et al.	.....	439/160
5,483,229	A	*	1/1996	Tamura et al.	.....	340/691.7
D384,037	S	*	9/1997	Hamada	.....	D13/162
D384,938	S	*	10/1997	Hamada et al.	.....	D13/162
5,791,916	A	*	8/1998	Schirbl et al.	.....	439/76.1

6,425,770	B1	*	7/2002	Lostoski et al.	.....	439/76.1
D525,211	S	*	7/2006	Tanabe et al.	.....	D13/162
7,230,833	B1	*	6/2007	Sickels	.....	361/747
D608,300	S	*	1/2010	Boyland et al.	.....	D13/162
D609,195	S	*	2/2010	Yamashita et al.	.....	D13/162
D616,833	S	*	6/2010	Heggemann et al.	.....	D13/164
D684,956	S	*	6/2013	Deck et al.	.....	D14/240
D685,354	S	*	7/2013	Deck et al.	.....	D14/240
D704,150	S	*	5/2014	Chen et al.	.....	D13/162.1
D707,224	S	*	6/2014	Bae et al.	.....	D14/349
8,784,120	B2	*	7/2014	Kang	.....	439/76.1
2009/0207571	A1	*	8/2009	Heggemann et al.	.....	361/752

\* cited by examiner

*Primary Examiner* — Selina Sikder

(74) *Attorney, Agent, or Firm* — Kermit D. Lopez; Luis M. Ortiz; Ortiz & Lopez, PLLC

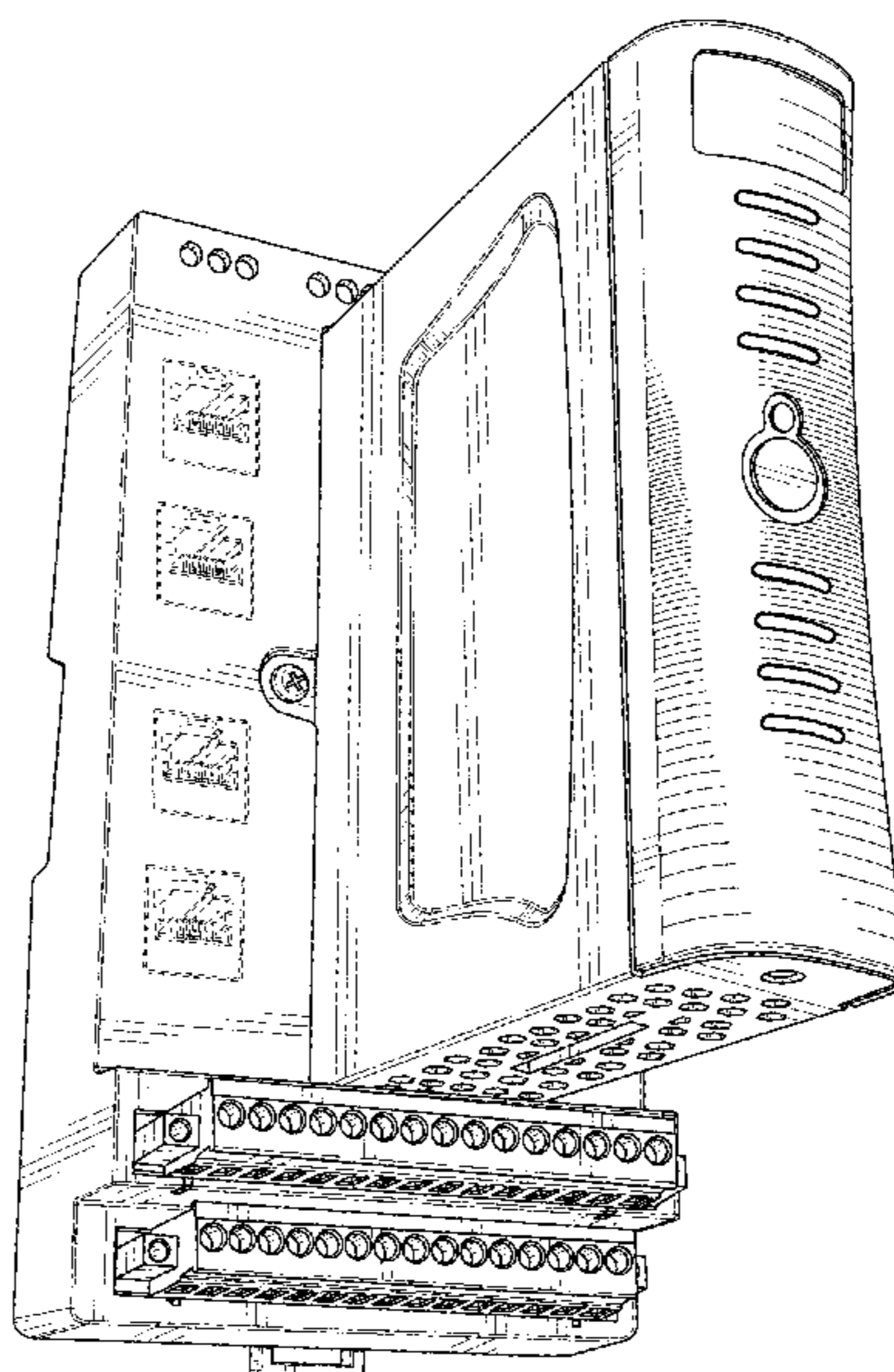
(57) **CLAIM**

The ornamental design for a remote terminal unit controller, as shown and described.

**DESCRIPTION**

FIG. 1 is a front side perspective view of a remote terminal unit controller;  
FIG. 2 is a top front perspective view thereof;  
FIG. 3 is a bottom front perspective view thereof;  
FIG. 4 is a top plan view thereof;  
FIG. 5 is a bottom plan view thereof;  
FIG. 6 is a front elevation view thereof;  
FIG. 7 is a left side elevation thereof;  
FIG. 8 is a right side elevation thereof; and,  
FIG. 9 is a rear elevation view thereof.  
The broken line showing of the remote terminal unit is for the purpose of illustrating environmental structure and forms no part of the claimed design.

**1 Claim, 9 Drawing Sheets**



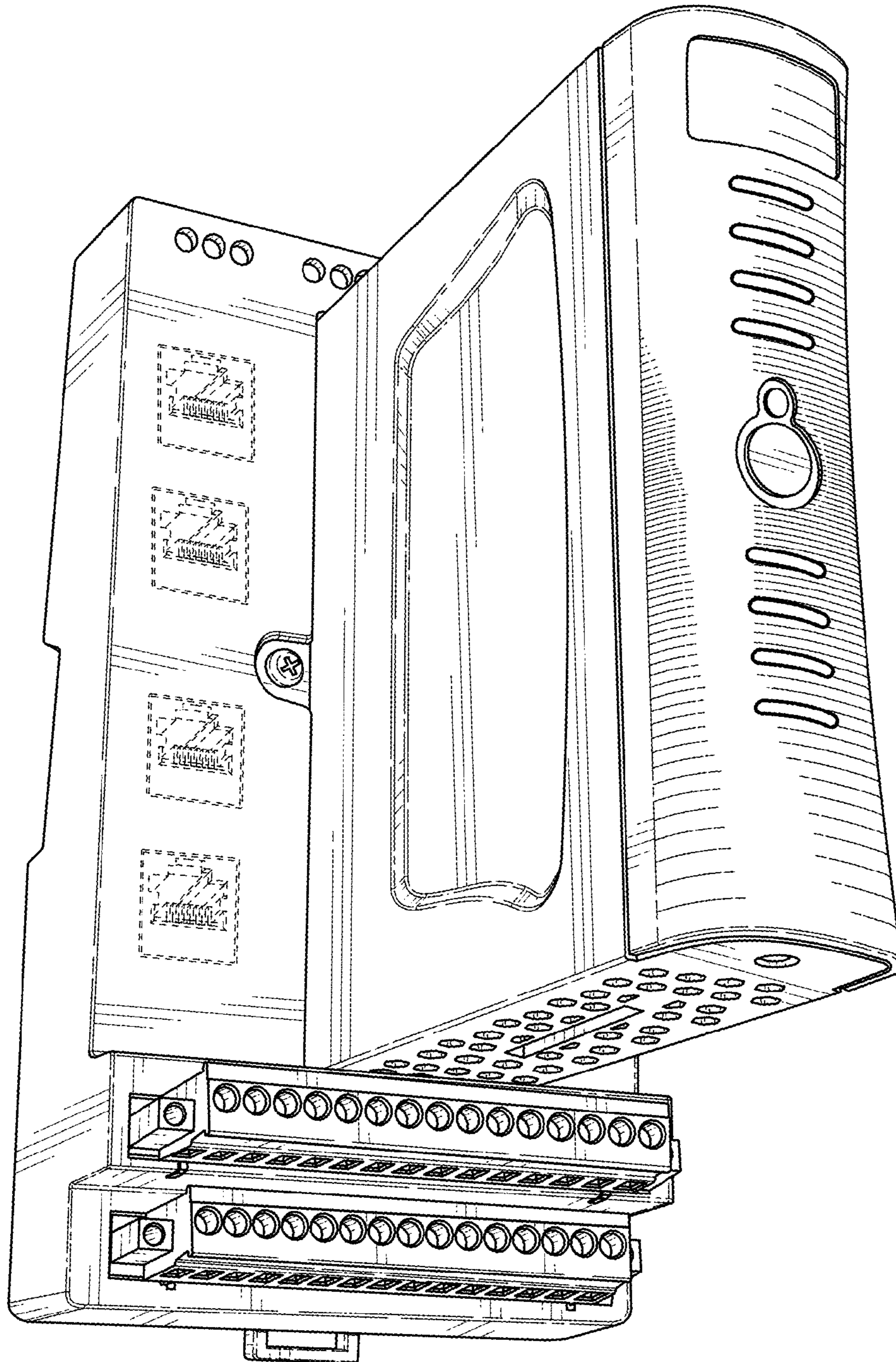


FIG. 1



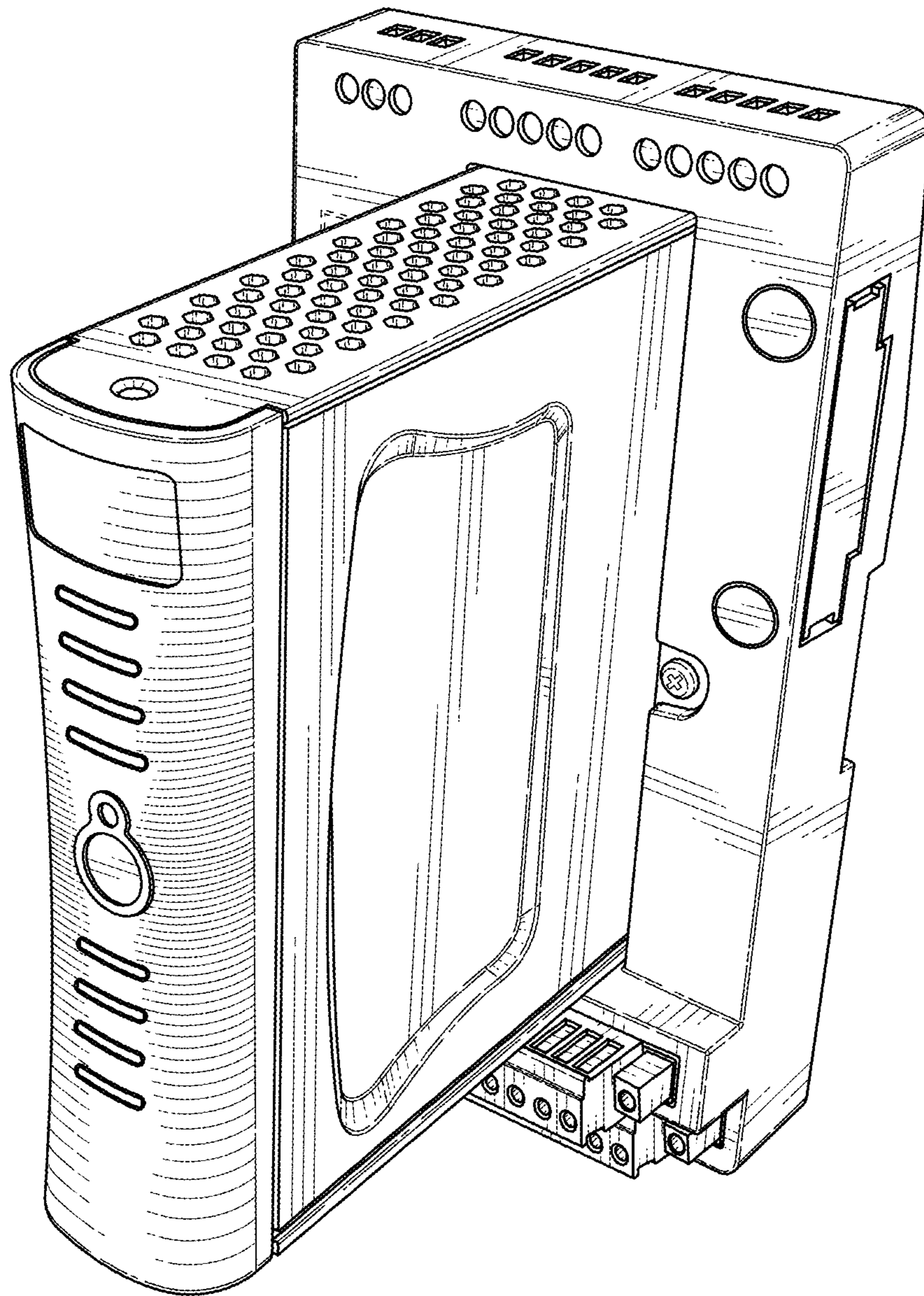


FIG. 2

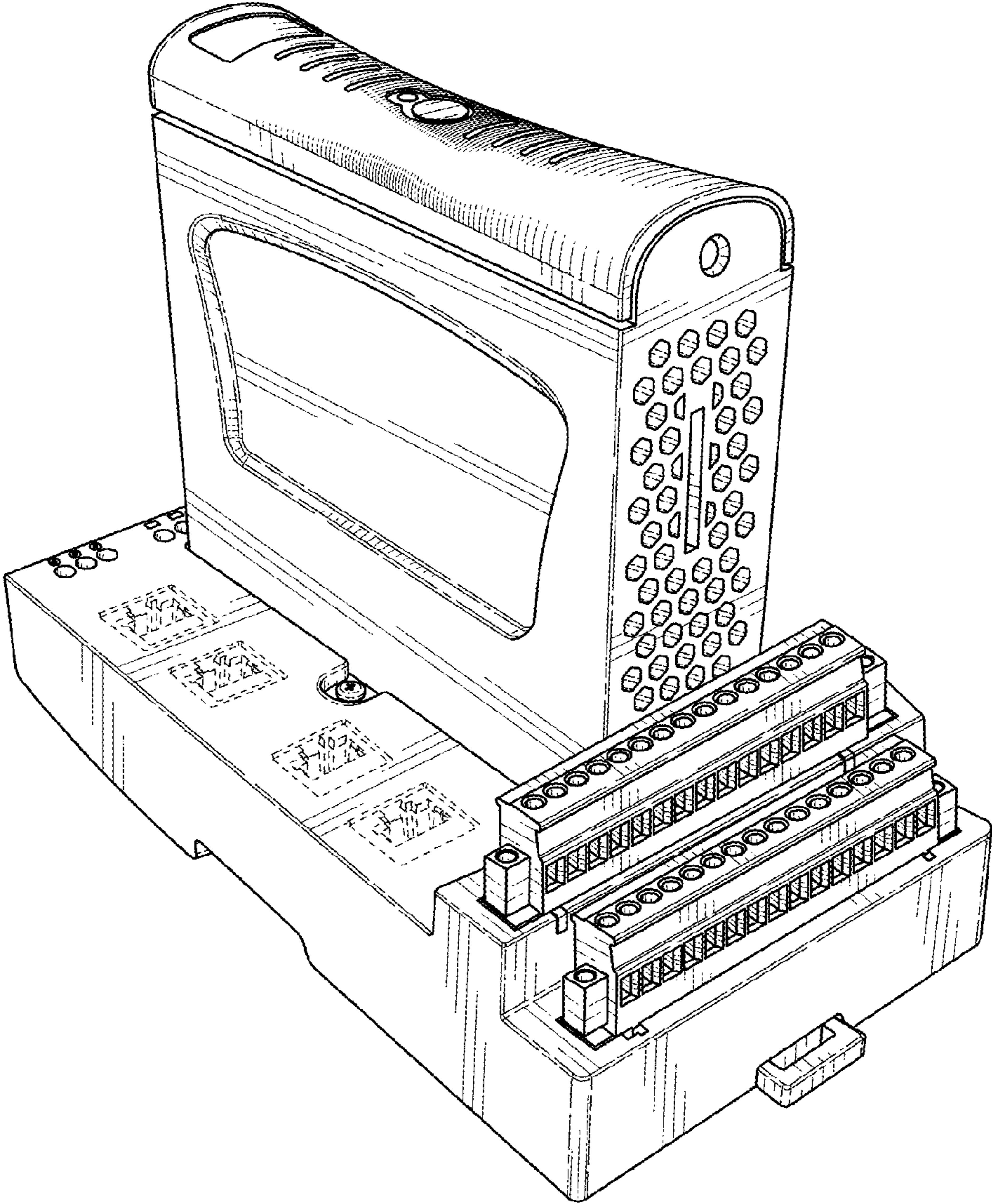


FIG. 3

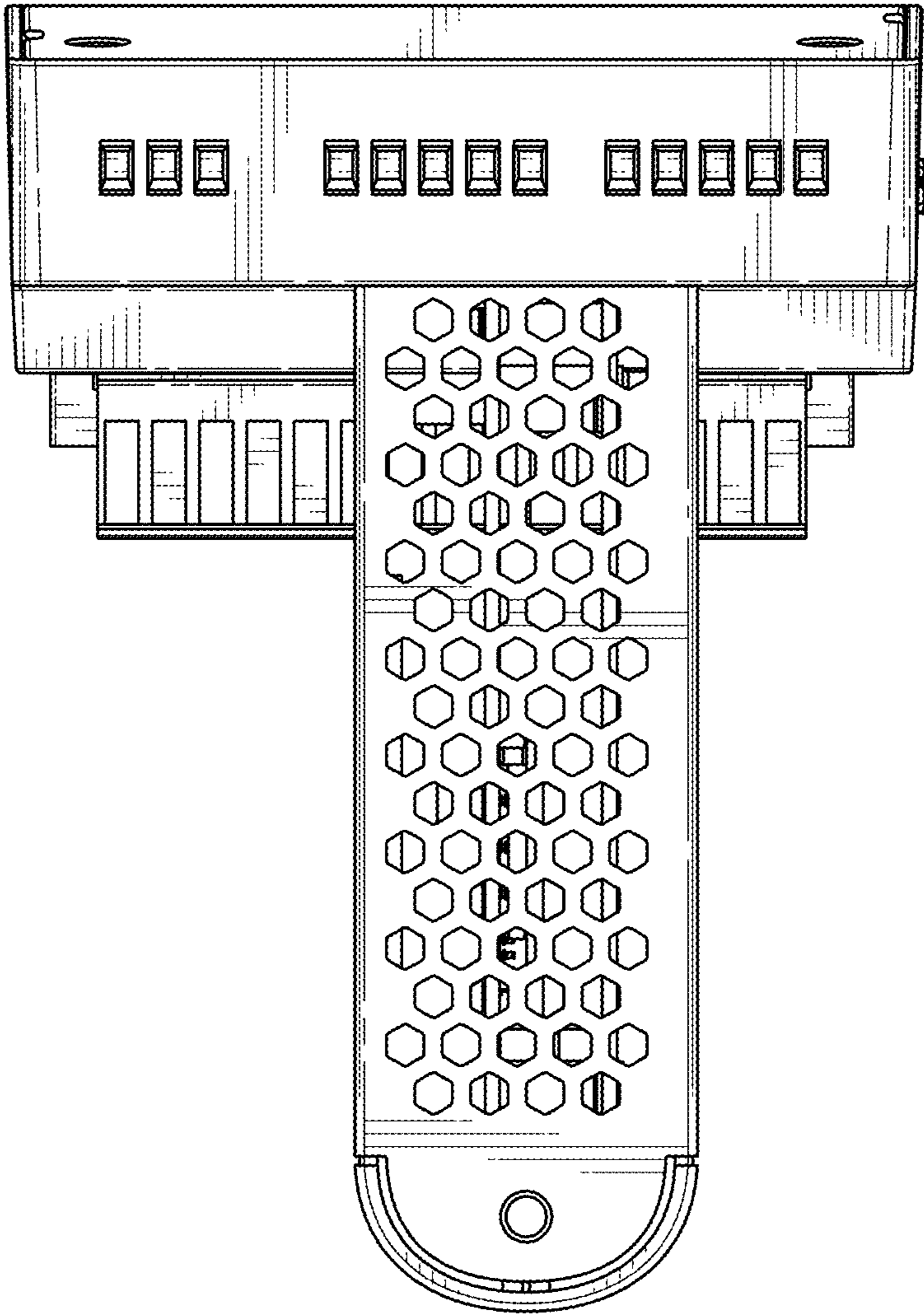


FIG. 4



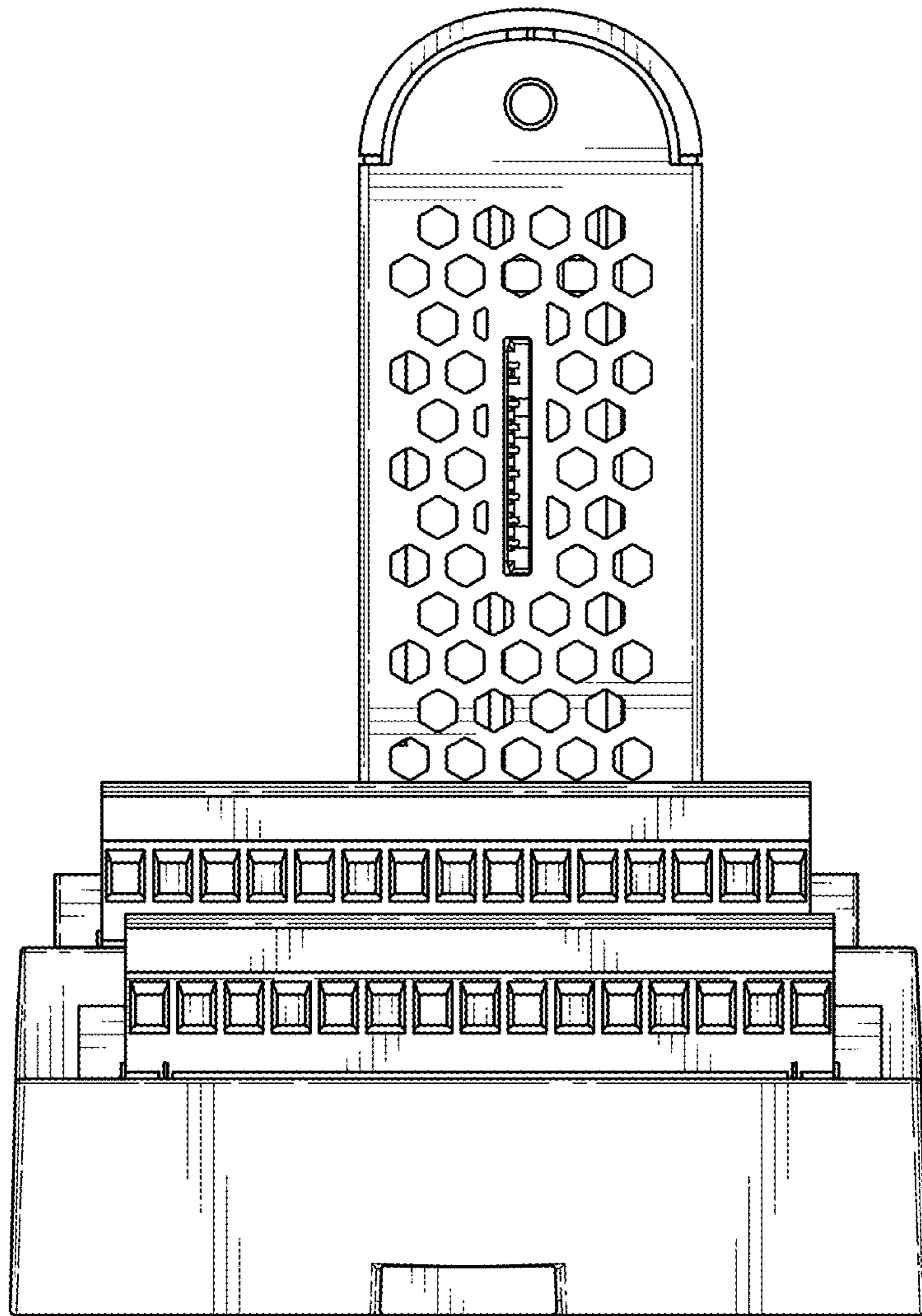


FIG. 5

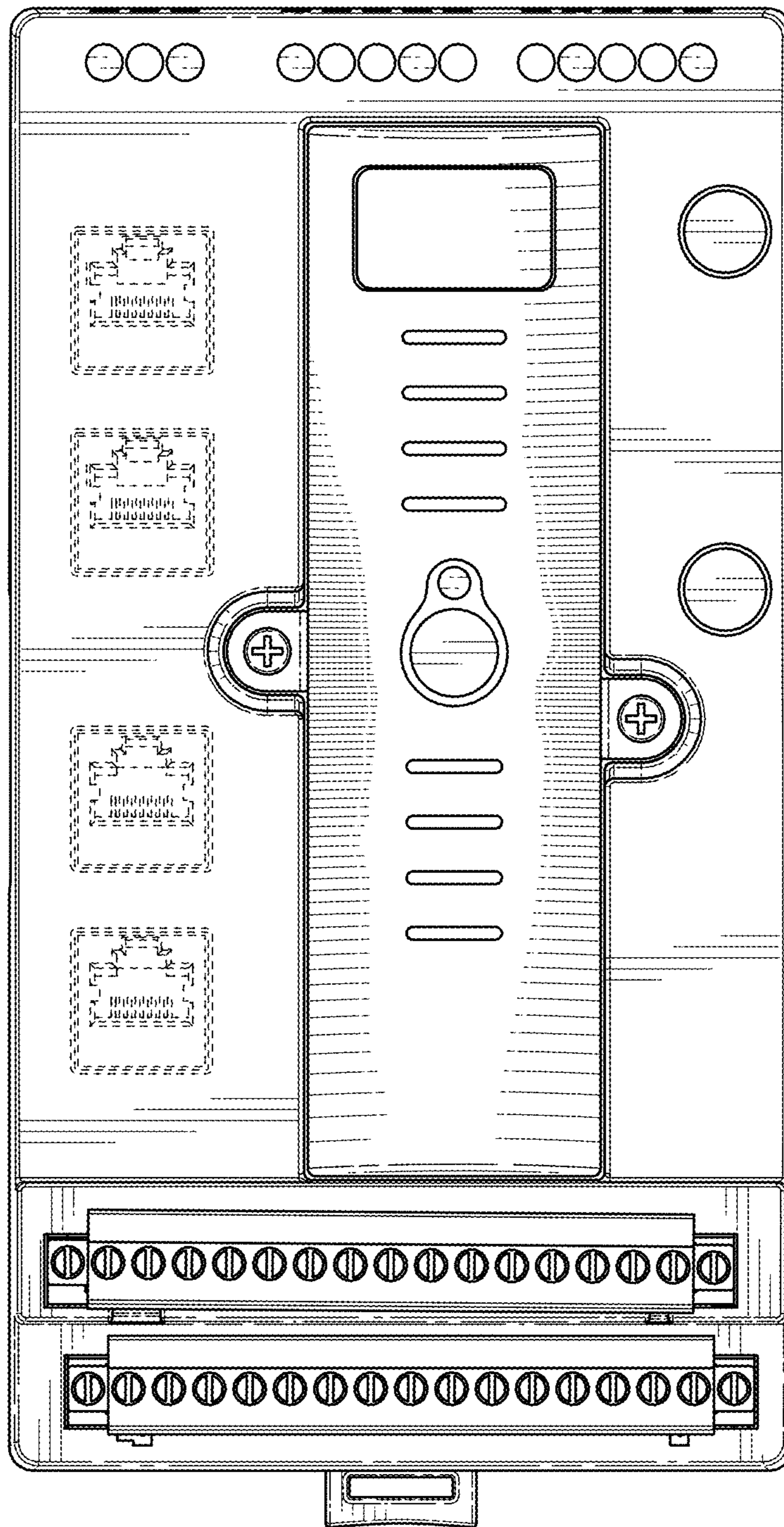


FIG. 6

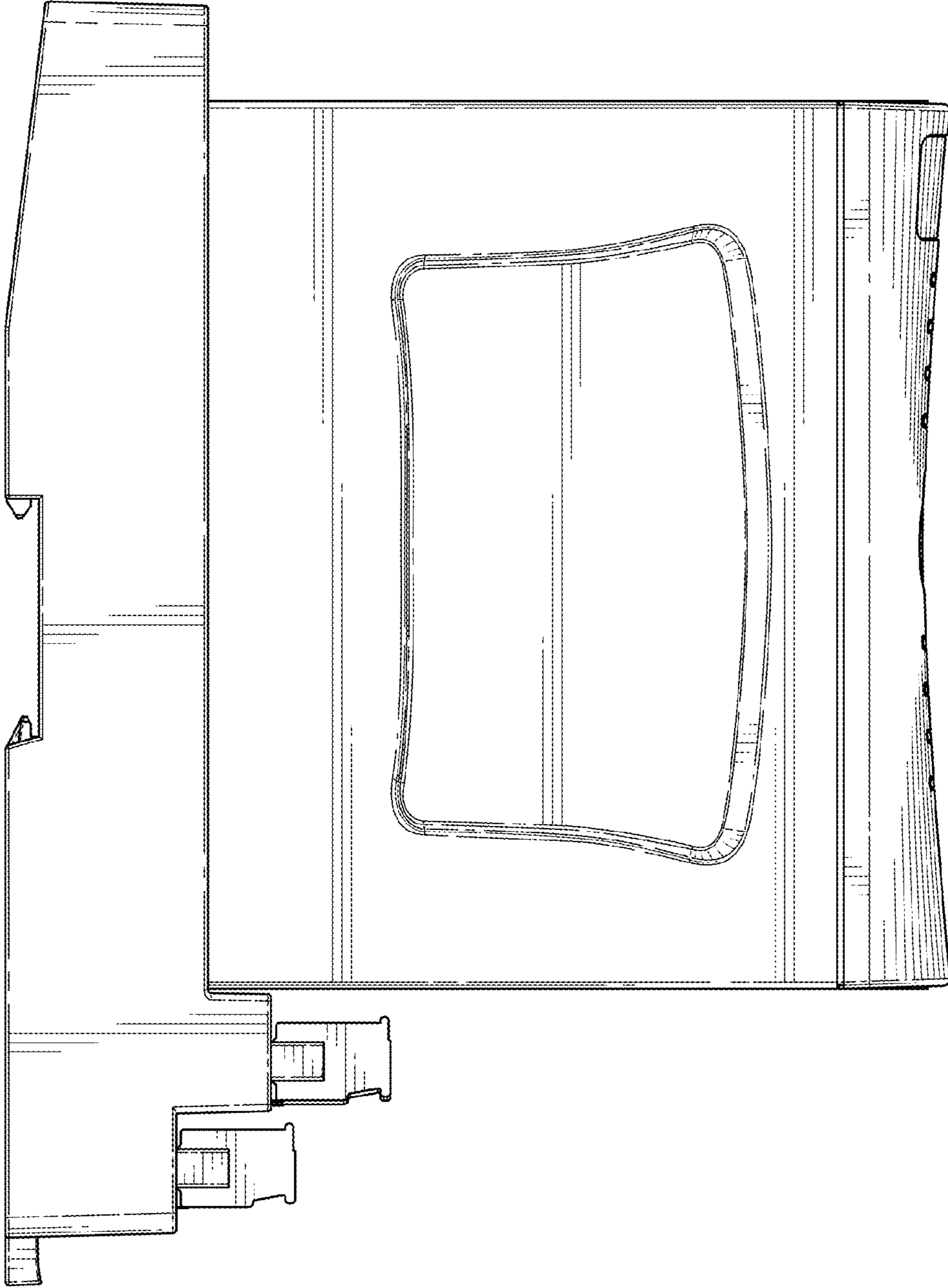


FIG. 7



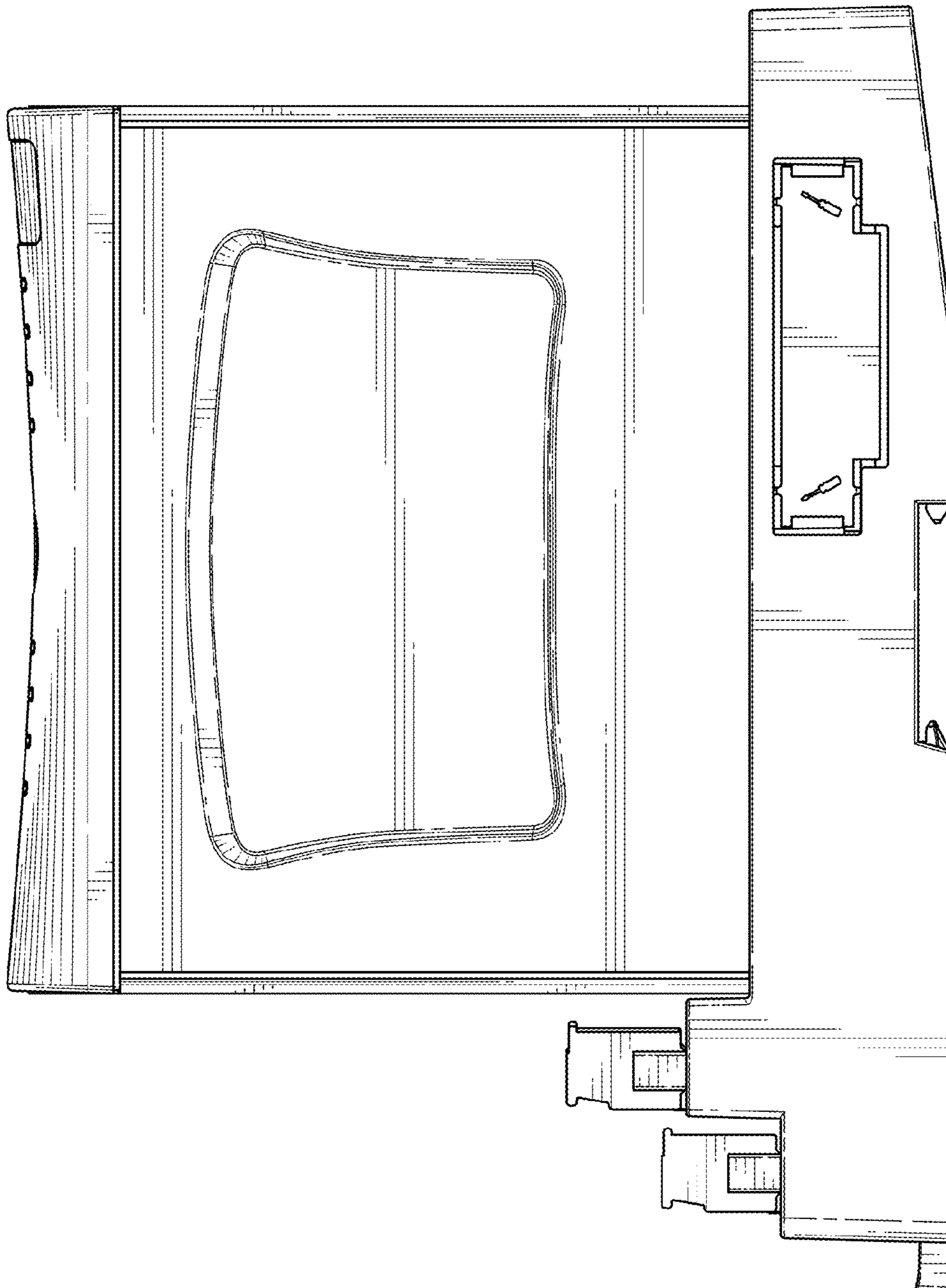


FIG. 8

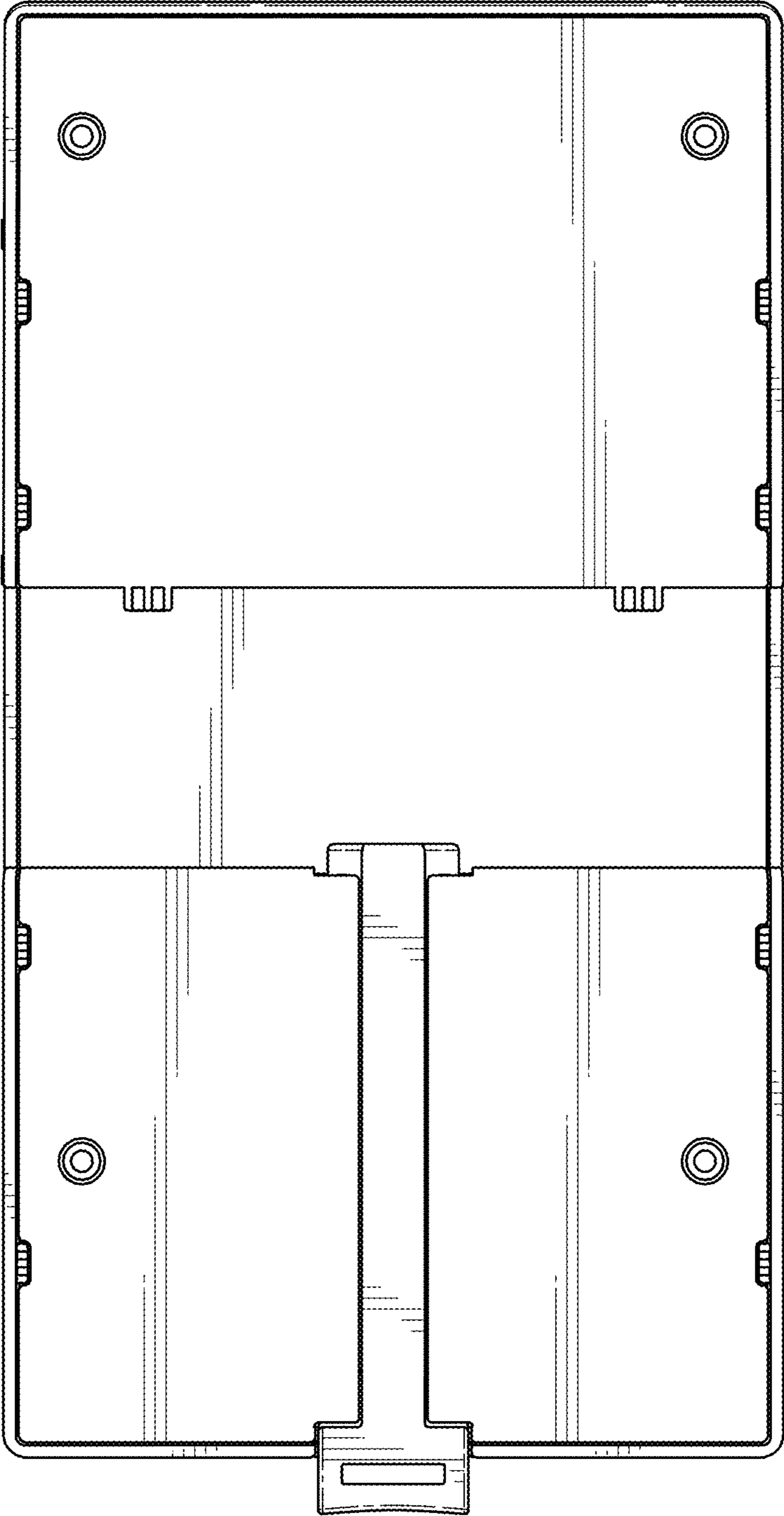


FIG. 9