



US00D724544S

(12) **United States Design Patent**  
**Chen**

(10) **Patent No.:** **US D724,544 S**  
(45) **Date of Patent:** **\*\* Mar. 17, 2015**

(54) **CORD CHANNEL**

(71) Applicant: **Kevin F Chen**, Anaheim, CA (US)

(72) Inventor: **Kevin F Chen**, Anaheim, CA (US)

(\*\*) Term: **14 Years**

(21) Appl. No.: **29/493,757**

(22) Filed: **Jun. 12, 2014**

(51) **LOC (10) Cl.** ..... **13-03**

(52) **U.S. Cl.**  
USPC ..... **D13/155**

(58) **Field of Classification Search**  
USPC ..... D13/155, 133, 149, 153, 154, 156, 184,  
D13/199; D8/344, 349, 353, 354, 499;  
174/68.1, 68.2, 68.3, 95, 97, 98, 99 B,  
174/99 R, 101, 102 R; 439/98, 120, 121,  
439/207-211

See application file for complete search history.

(56) **References Cited**

**U.S. PATENT DOCUMENTS**

D269,968 S *	8/1983	Rodriguez Moura	.....	D13/155
D288,802 S *	3/1987	Bramwell	.....	D13/155
D289,635 S *	5/1987	Bramwell	.....	D13/155
5,235,136 A *	8/1993	Santucci et al.	.....	174/68.3
6,084,180 A *	7/2000	DeBartolo et al.	.....	174/95
D430,543 S *	9/2000	Rohder	.....	D13/155
D455,336 S *	4/2002	Anderson	.....	D8/377
7,408,114 B2 *	8/2008	VanderVelde et al.	.....	174/68.3
8,183,460 B2 *	5/2012	Williams	.....	174/68.1

2007/0051536 A1\* 3/2007 Williams ..... 174/481

\* cited by examiner

*Primary Examiner* — Derrick Holland

(74) *Attorney, Agent, or Firm* — QuickPatents; Kevin Prince

(57) **CLAIM**

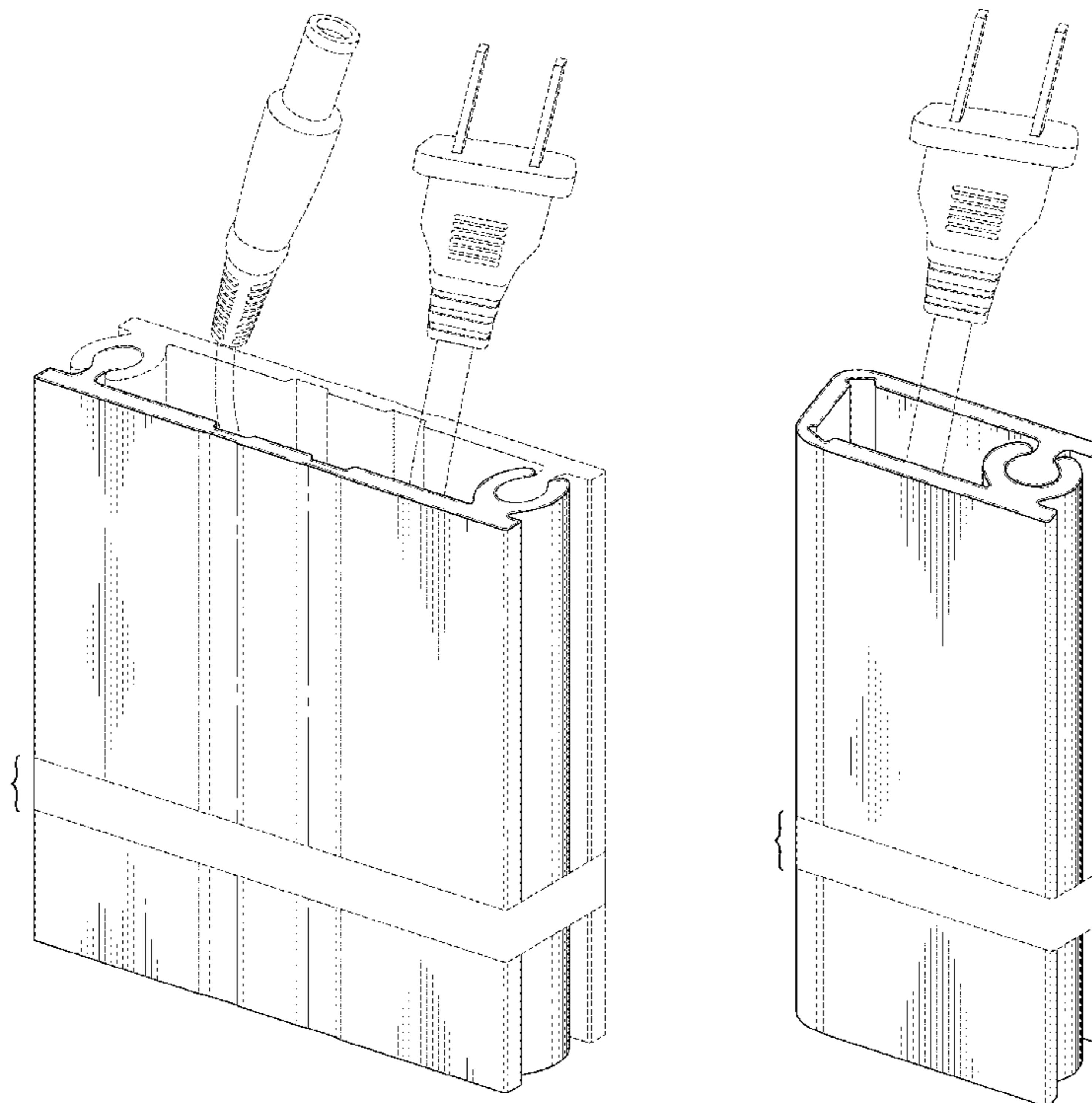
I claim the ornamental design for a cord channel, as shown and described.

**DESCRIPTION**

FIG. 1 is a perspective view of a cord channel, showing my new design in a flat configuration in environmental use; FIG. 2 front elevational view of the cord channel showing my new design in a flat configuration; FIG. 3 is a rear elevational view of FIG. 2; FIG. 4 is a left-side elevational view of FIG. 2; FIG. 5 is a right-side elevational view of FIG. 2; FIG. 6 is a top plan view of FIG. 2, the bottom plan view being a mirror image thereof; FIG. 7 is a perspective view thereof, illustrated in a folded configuration; FIG. 8 is a left-side elevational view of FIG. 7; FIG. 9 is a rear elevational view of FIG. 7; and, FIG. 10 is a top plan view of FIG. 7, the bottom plan view being a mirror image thereof.

The broken lines shown in FIGS. 1 and 7 represent unclaimed subject matter and form no part of the claimed design. The broken lines shown between the brackets in FIGS. 1-7 indicate no specific height and form no part of the claimed design. The appearance of any portion of the article between the brackets forms no part of the claimed design.

**1 Claim, 6 Drawing Sheets**



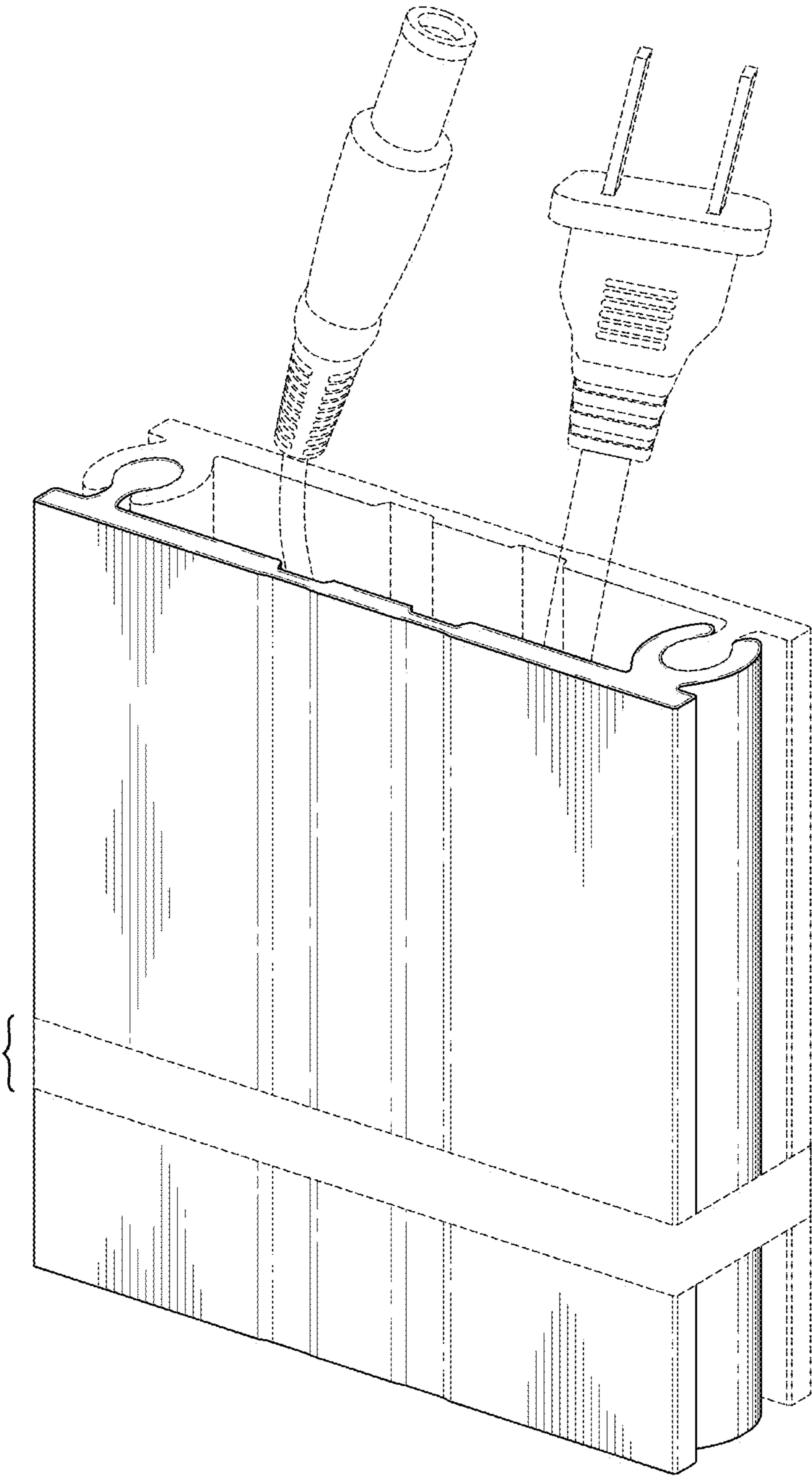


FIG. 1

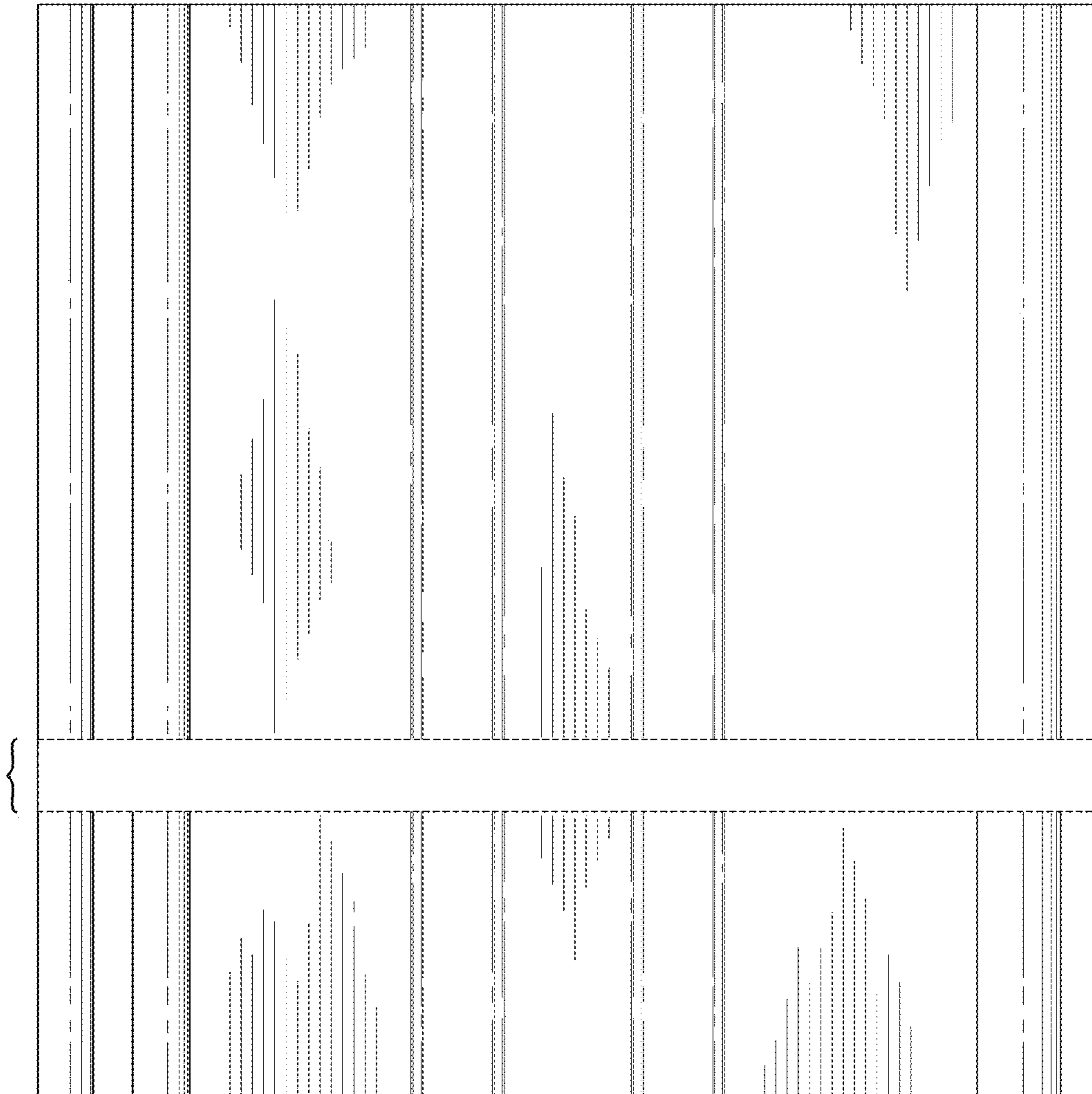


FIG. 2

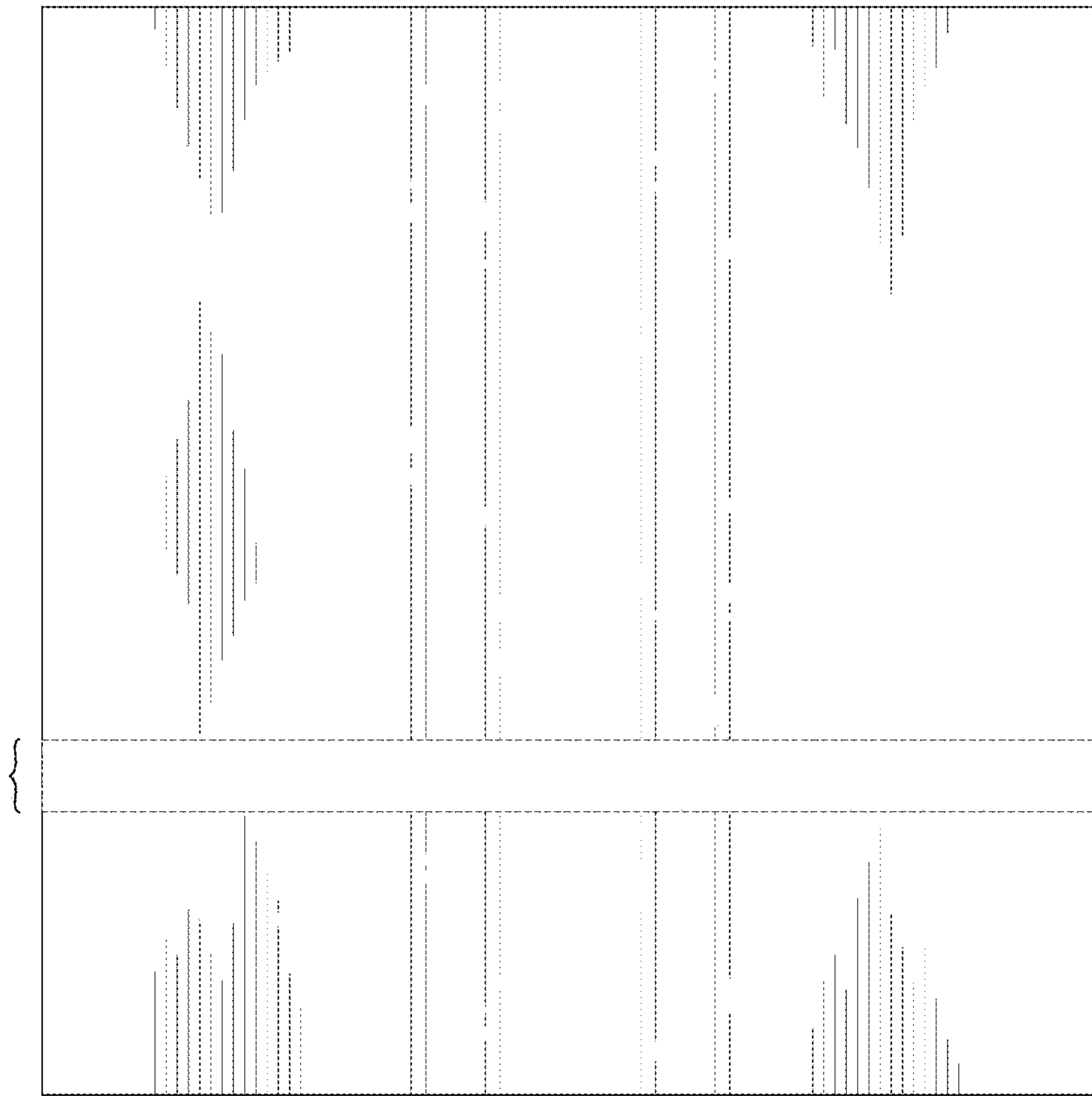


FIG. 3

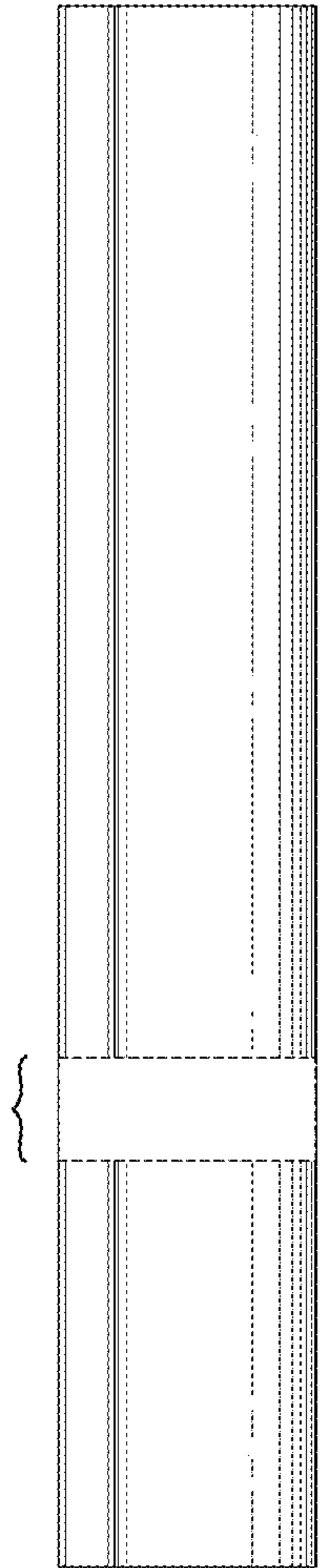


FIG. 4

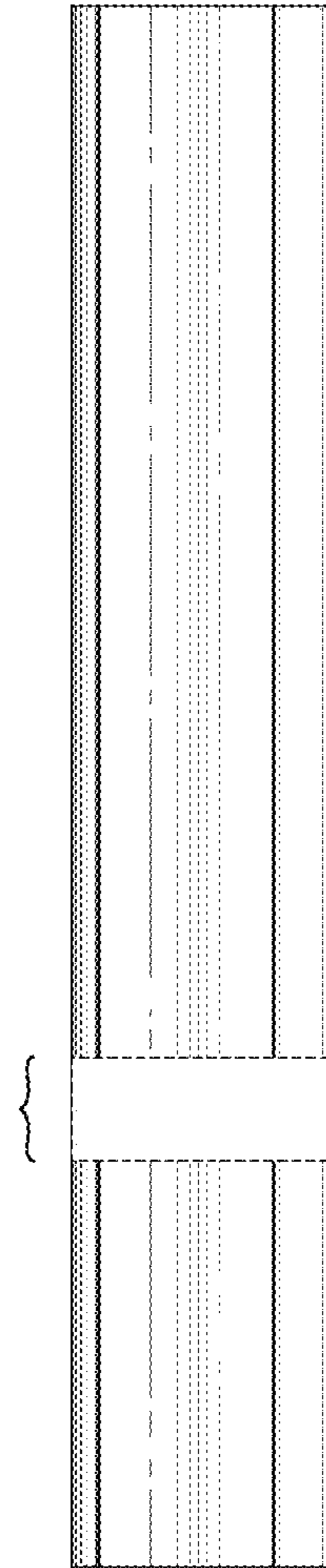


FIG. 5

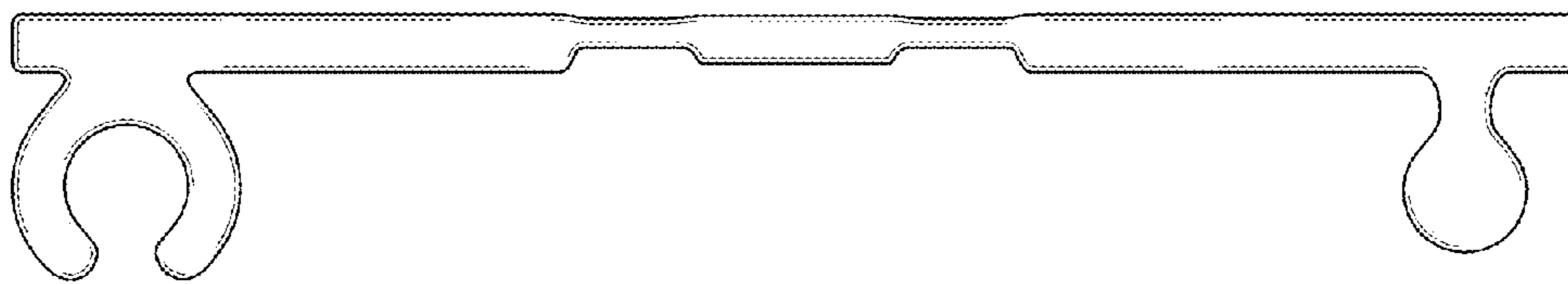


FIG. 6

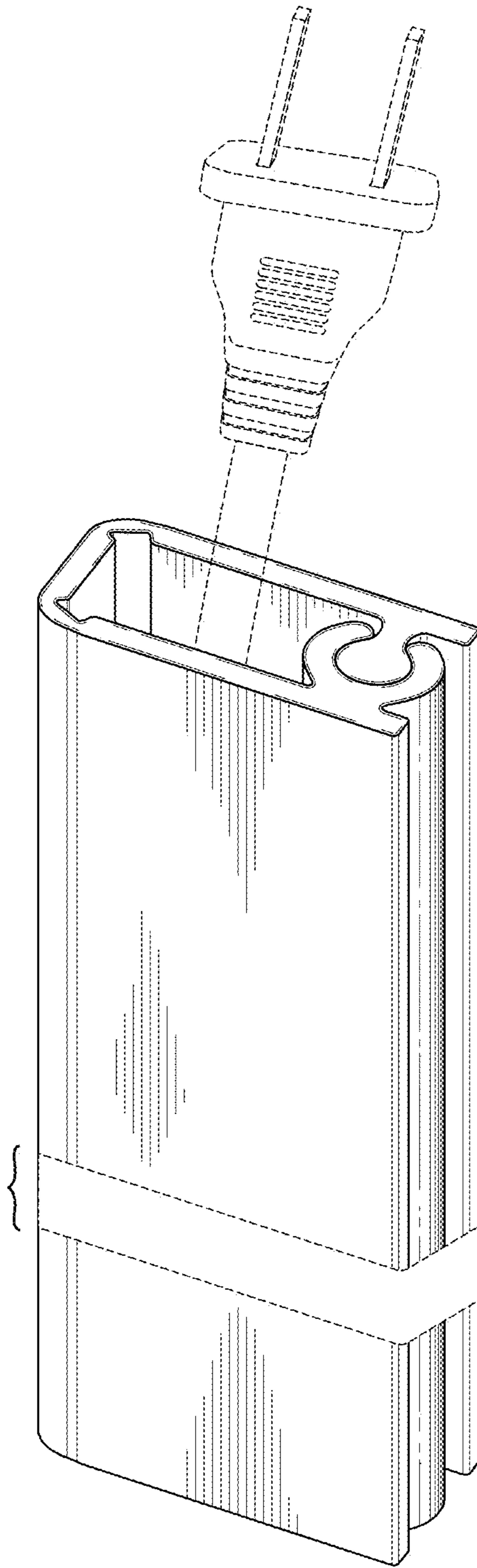


FIG. 7

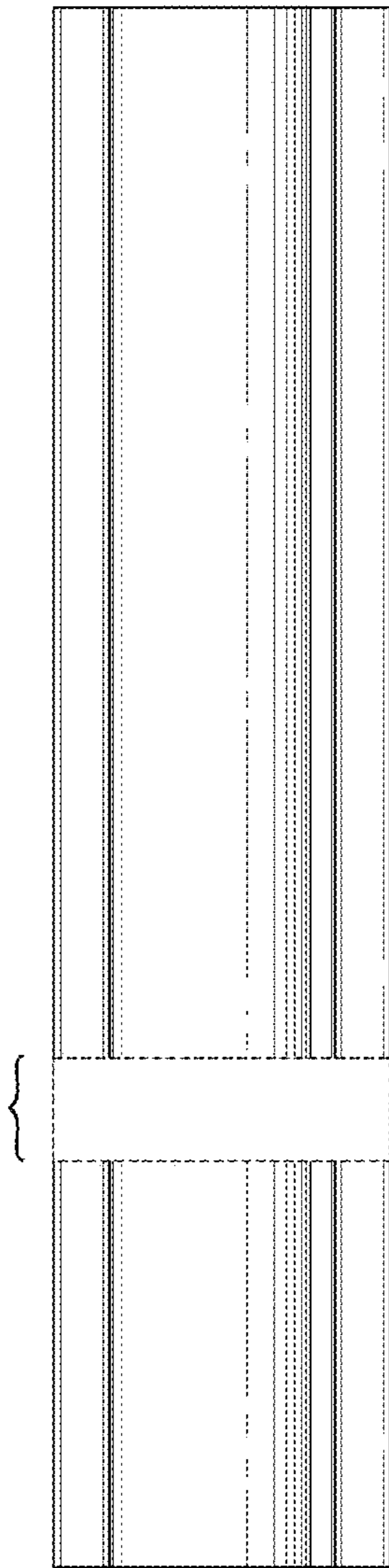


FIG. 8

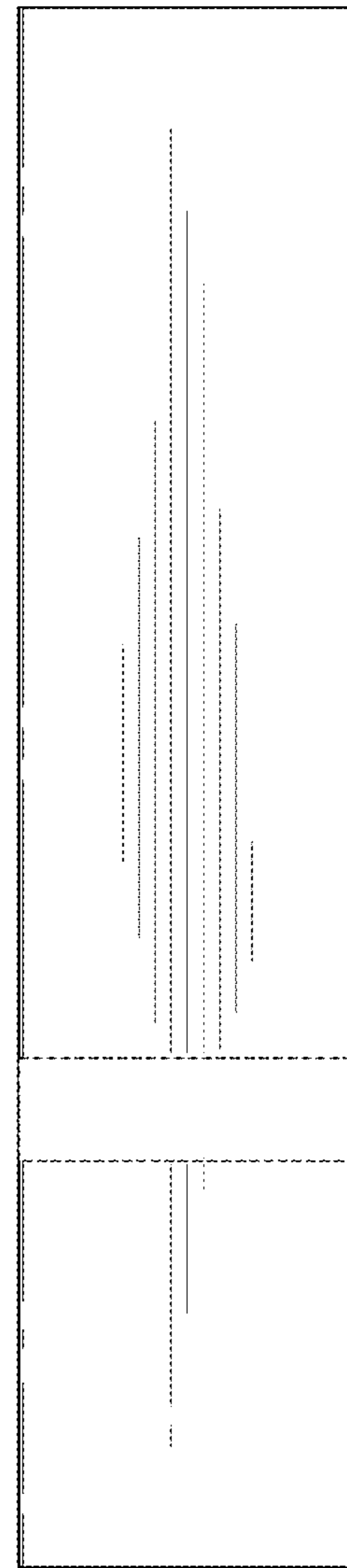


FIG. 9

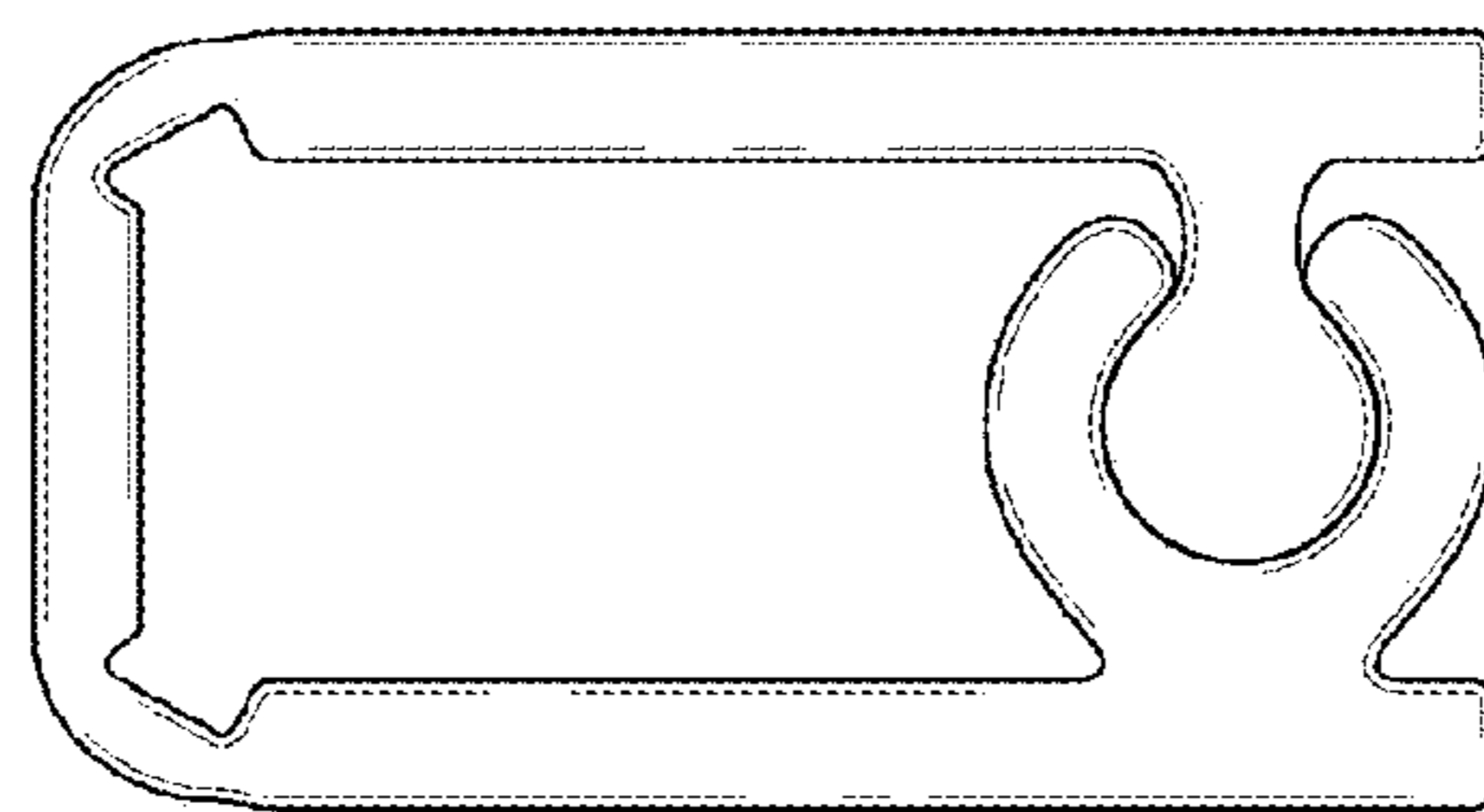


FIG. 10