

US00D724542S

(12) **United States Design Patent**
Sasano et al.

(10) **Patent No.:** **US D724,542 S**
(45) **Date of Patent:** **** Mar. 17, 2015**

(54) **TERMINAL BLOCK**

(71) Applicant: **Omron Corporation**, Shimogyo-ku,
Kyoto-shi, Kyoto (JP)

(72) Inventors: **Naoya Sasano**, Tokyo (JP); **Hirokazu Hoshino**, Saitama (JP)

(73) Assignee: **Omron Corporation**, Kyoto (JP)

(**) Term: **14 Years**

(21) Appl. No.: **29/438,253**

(22) Filed: **Nov. 28, 2012**

(30) **Foreign Application Priority Data**

May 31, 2012 (JP) 2012-12929

(51) **LOC (10) Cl.** **13-03**

(52) **U.S. Cl.**
USPC **D13/154**

(58) **Field of Classification Search**

CPC H01R 4/00; H01R 4/48; H01R 9/00;
H01R 11/00; H01R 13/00; H01R 12/70;
H01R 24/00; H01R 33/00; H01R 41/00
USPC D13/154, 118, 119, 120, 123, 133, 146,
D13/147, 184, 199; 439/862, 870, 877,
439/884-885, 887-891

See application file for complete search history.

(56) **References Cited**

U.S. PATENT DOCUMENTS

D316,079 S * 4/1991 Sulikowski D13/147
5,417,583 A * 5/1995 Ishizaki et al. 439/409
D360,620 S * 7/1995 Gehrs et al. D13/184
6,074,247 A * 6/2000 Hall et al. 439/532
D444,127 S * 6/2001 Wong D13/146
D461,771 S * 8/2002 Zhao et al. D13/133
D507,241 S * 7/2005 Koessler D13/152

D525,586 S * 7/2006 Blake D13/123
D624,503 S * 9/2010 Severing D13/147
D626,509 S * 11/2010 Severing D13/147
8,235,754 B2 * 8/2012 Kume 439/637
D694,191 S * 11/2013 Lien et al. D13/149
2006/0199439 A1 * 9/2006 Mertz et al. 439/709

OTHER PUBLICATIONS

http://www.ia.omron.com/products/category/power-supplies_in-addition/wiring-systems/connector-terminal-block-conversion-units/index.html.*

* cited by examiner

Primary Examiner — Daniel Bui

Assistant Examiner — Sanjeev Paul

(74) *Attorney, Agent, or Firm* — Harness, Dickey & Pierce, P.L.C.

(57) **CLAIM**

The ornamental design for a terminal block, as shown and described.

DESCRIPTION

FIG. 1 is a top, front and right side perspective view of a terminal block showing our new design;
FIG. 2 is a bottom, front and left side perspective view thereof;
FIG. 3 is a front elevational view thereof;
FIG. 4 is a rear elevational view thereof;
FIG. 5 is a left side view thereof;
FIG. 6 is a right side view thereof;
FIG. 7 is a top plan view thereof;
FIG. 8 is a bottom plan view thereof; and,
FIG. 9 is a cross-sectional view taken along the line of IX-IX of FIG. 3.

The broken lines depict environmental subject matter only and form no part of the claimed design. The dash-dot line represents the boundary of the claimed design.

1 Claim, 4 Drawing Sheets

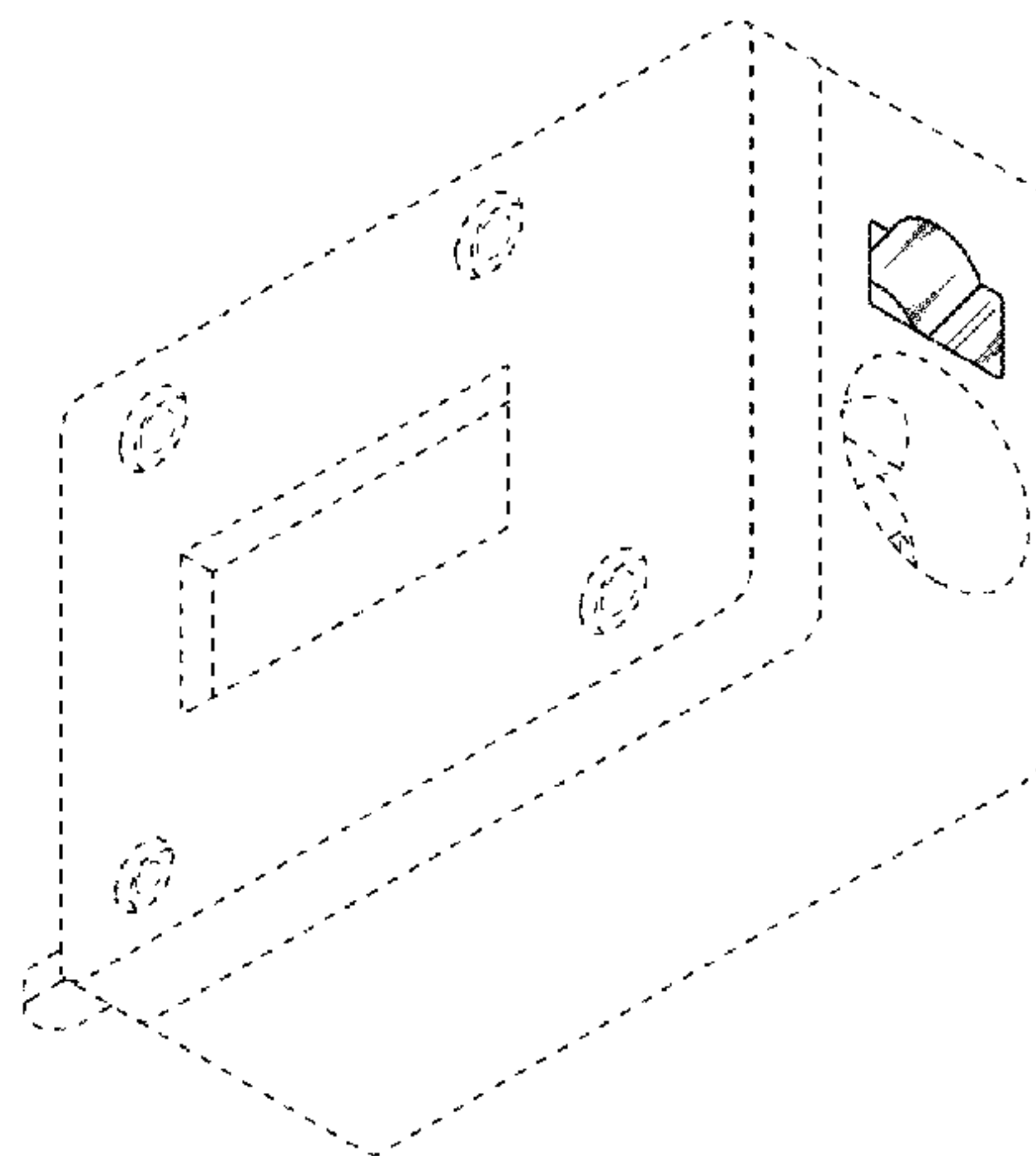
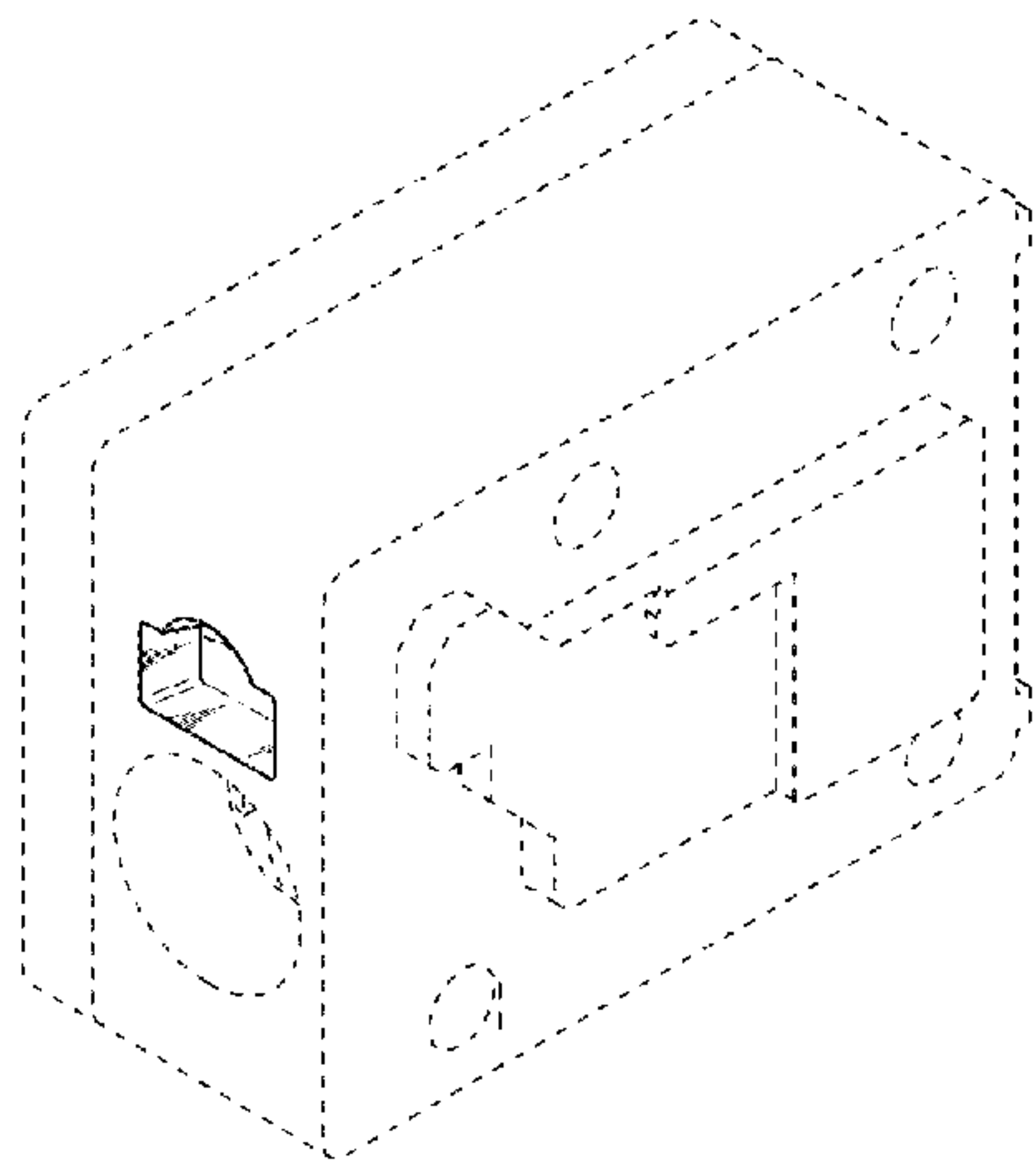


Fig. 1

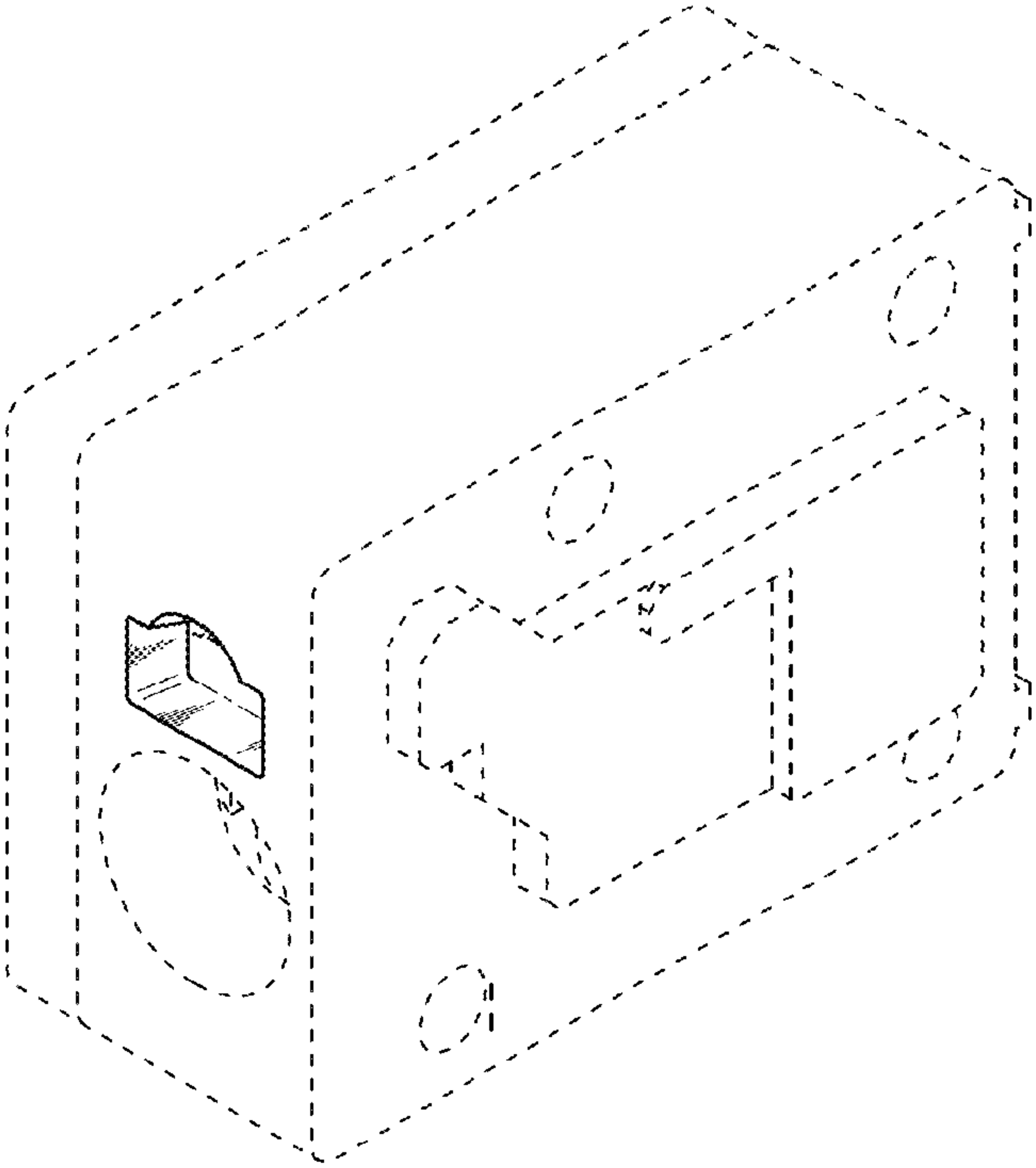


Fig. 2

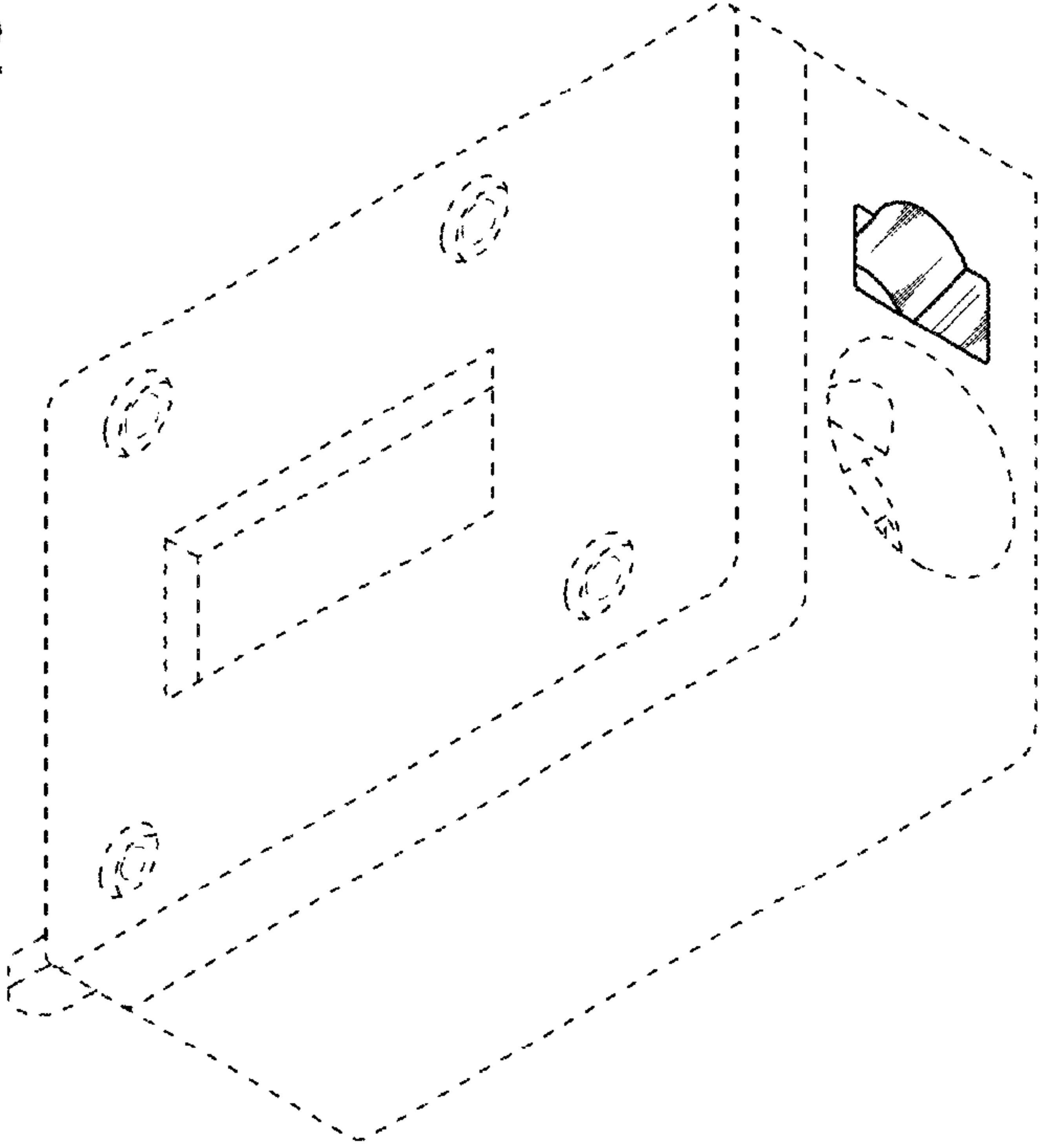


Fig. 3

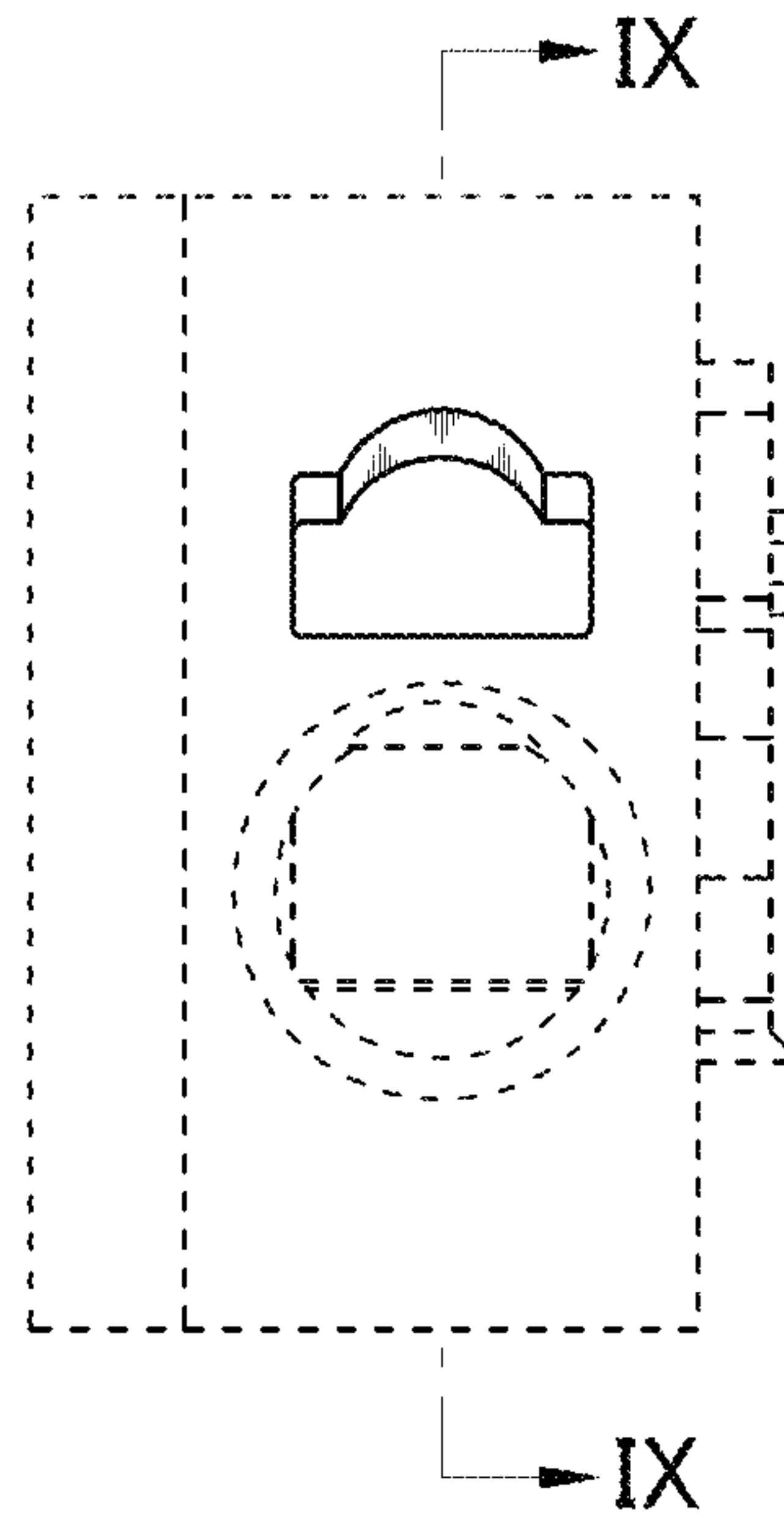


Fig. 4

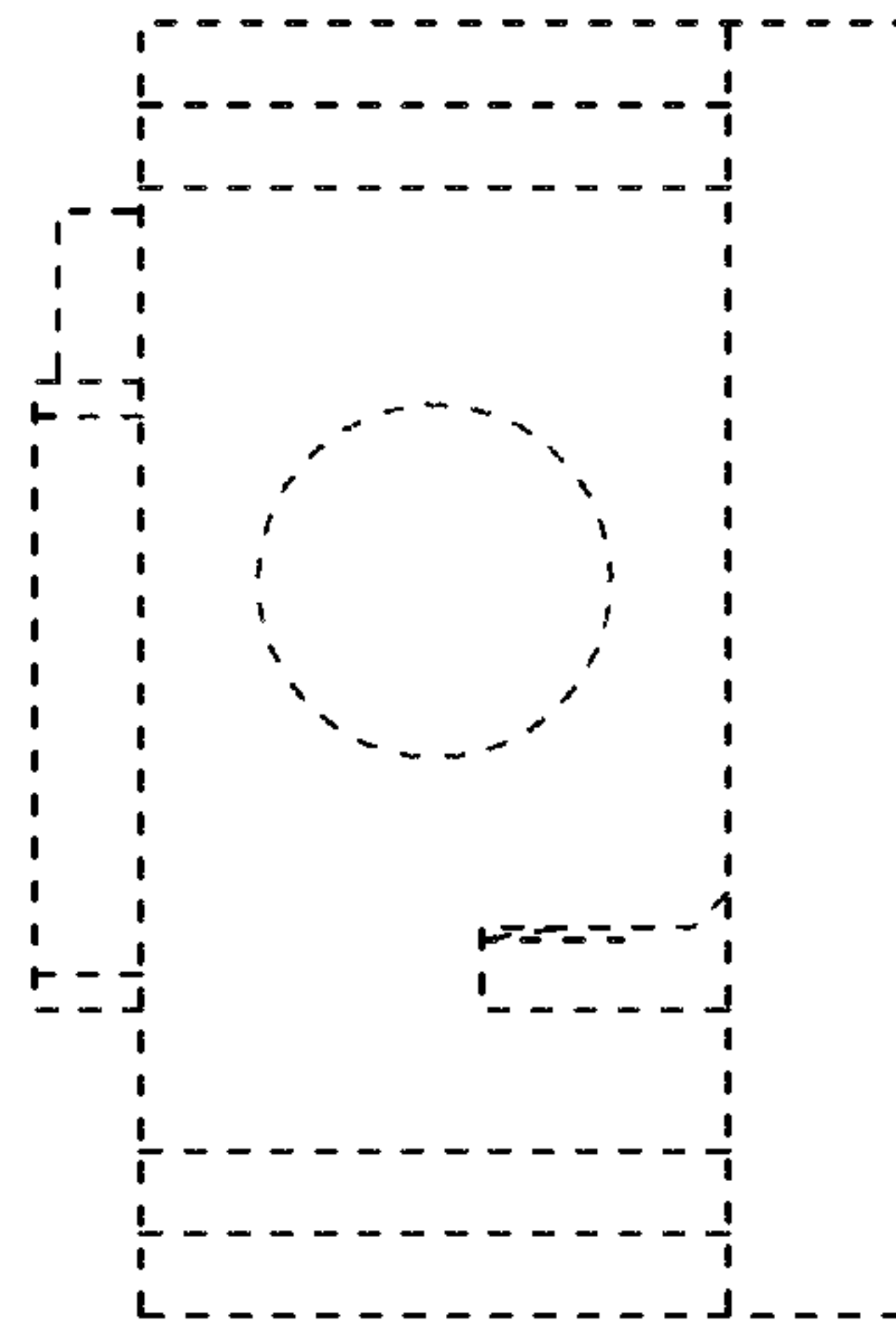


Fig. 5

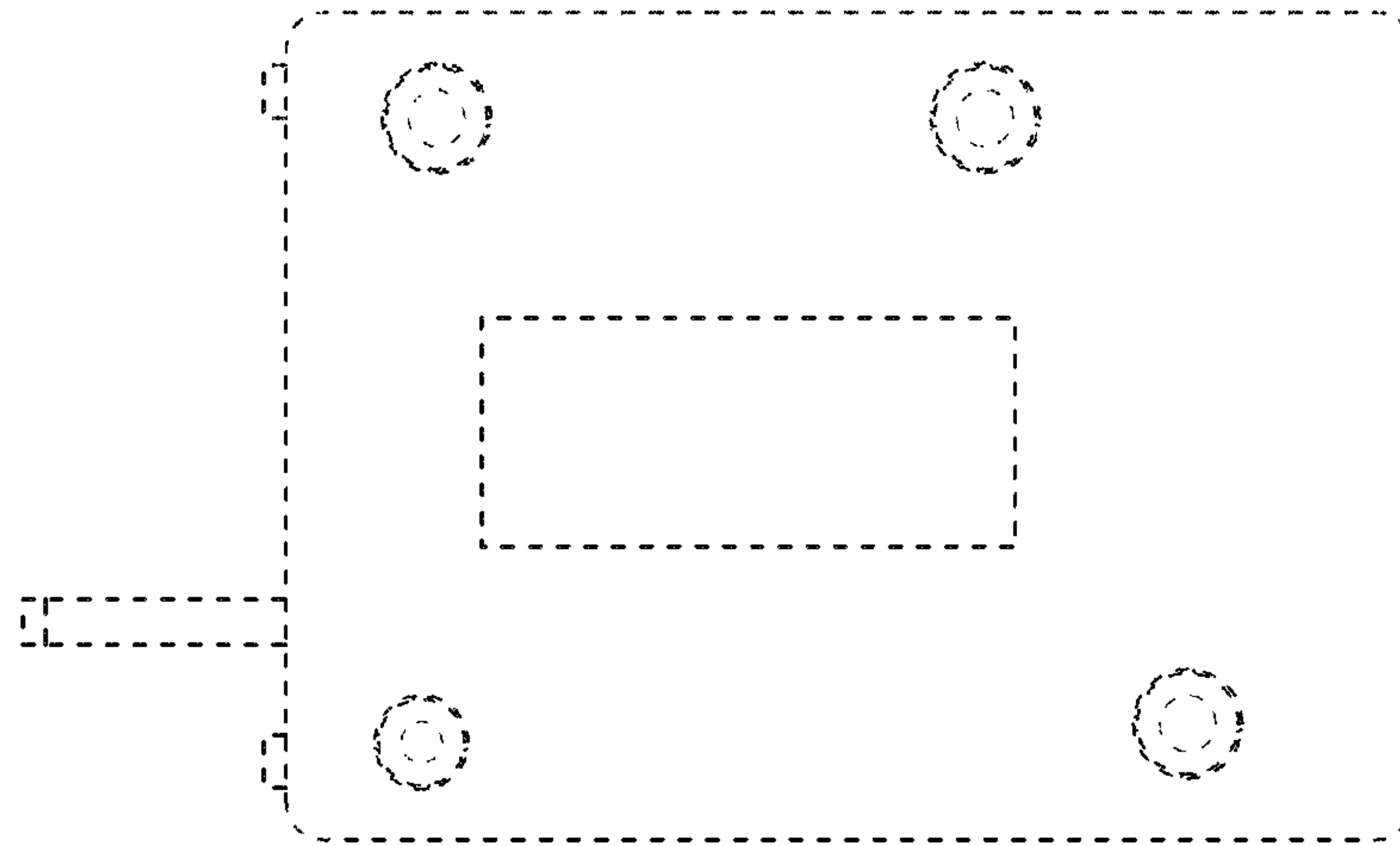


Fig. 6

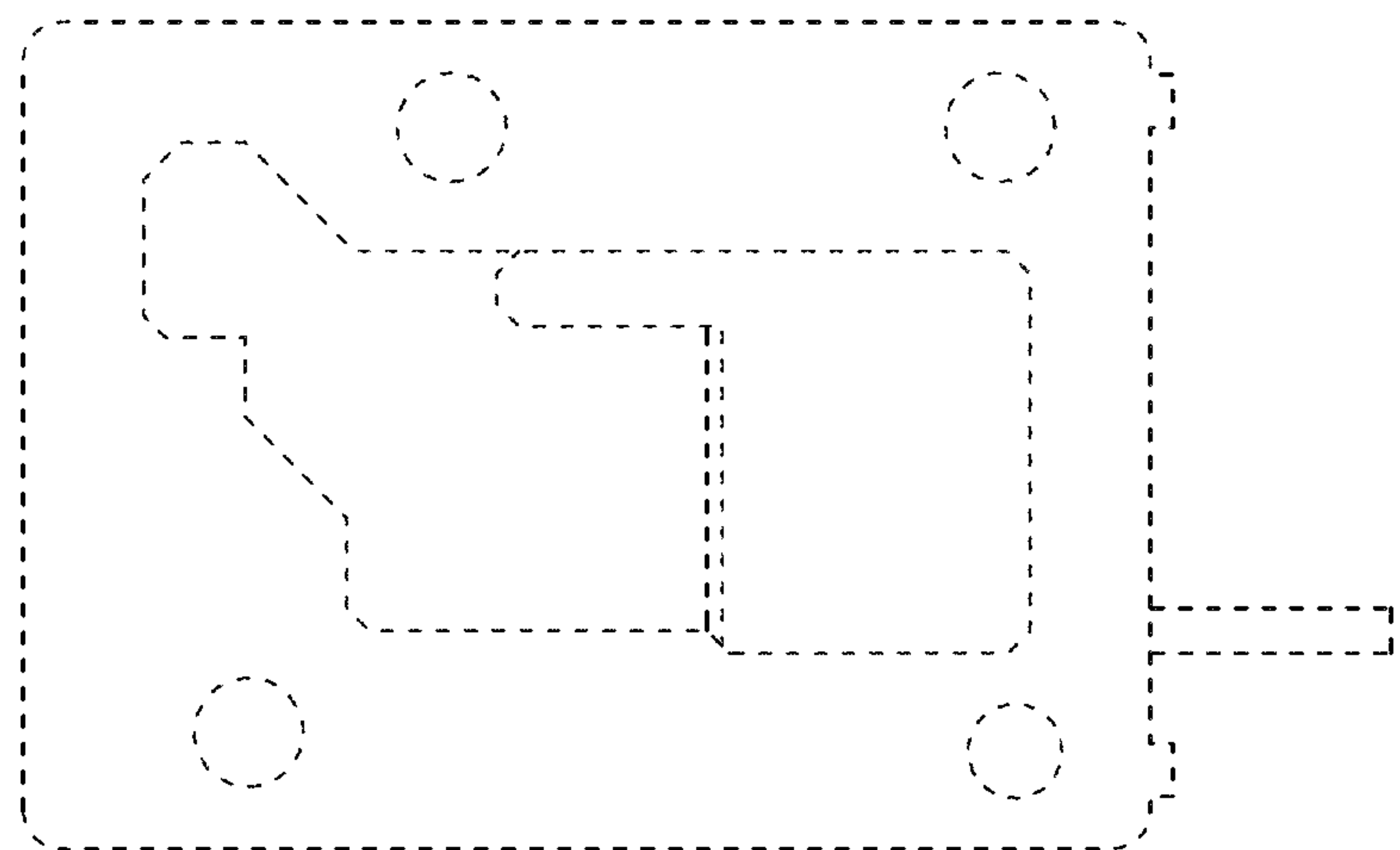


Fig. 7

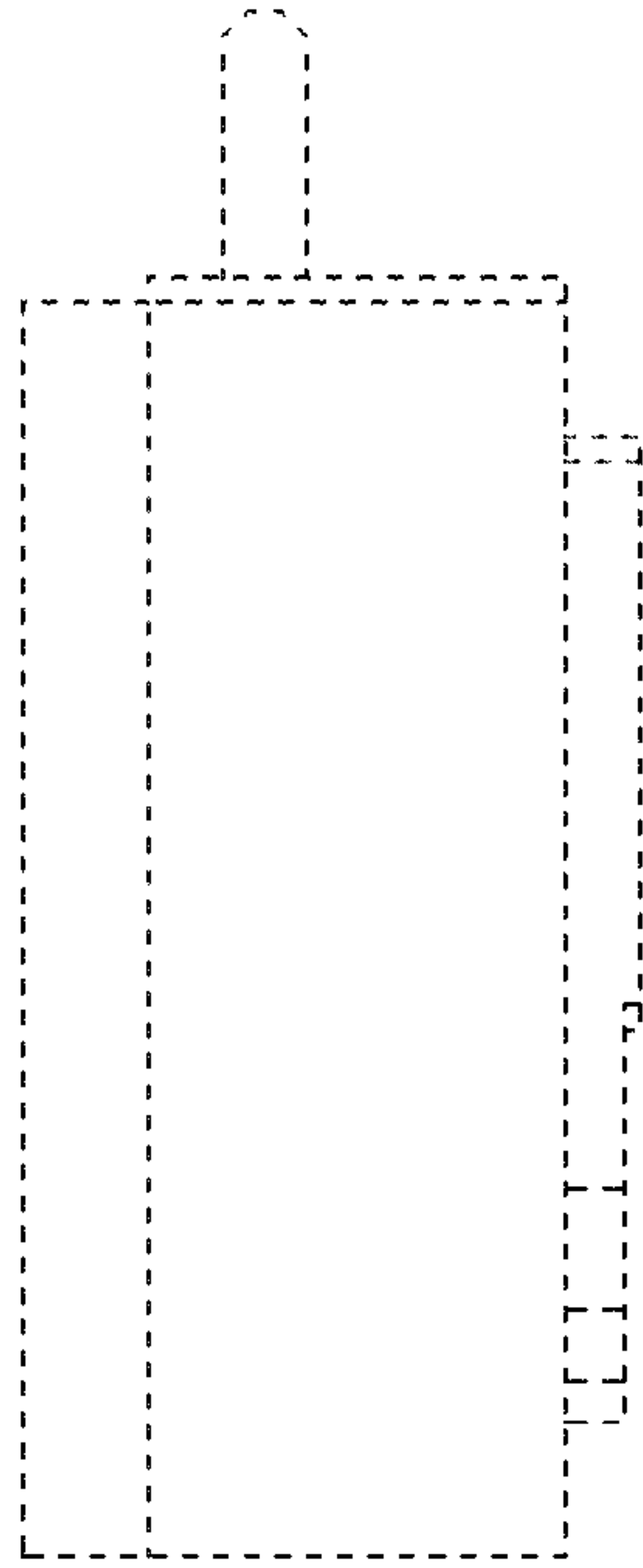


Fig. 8

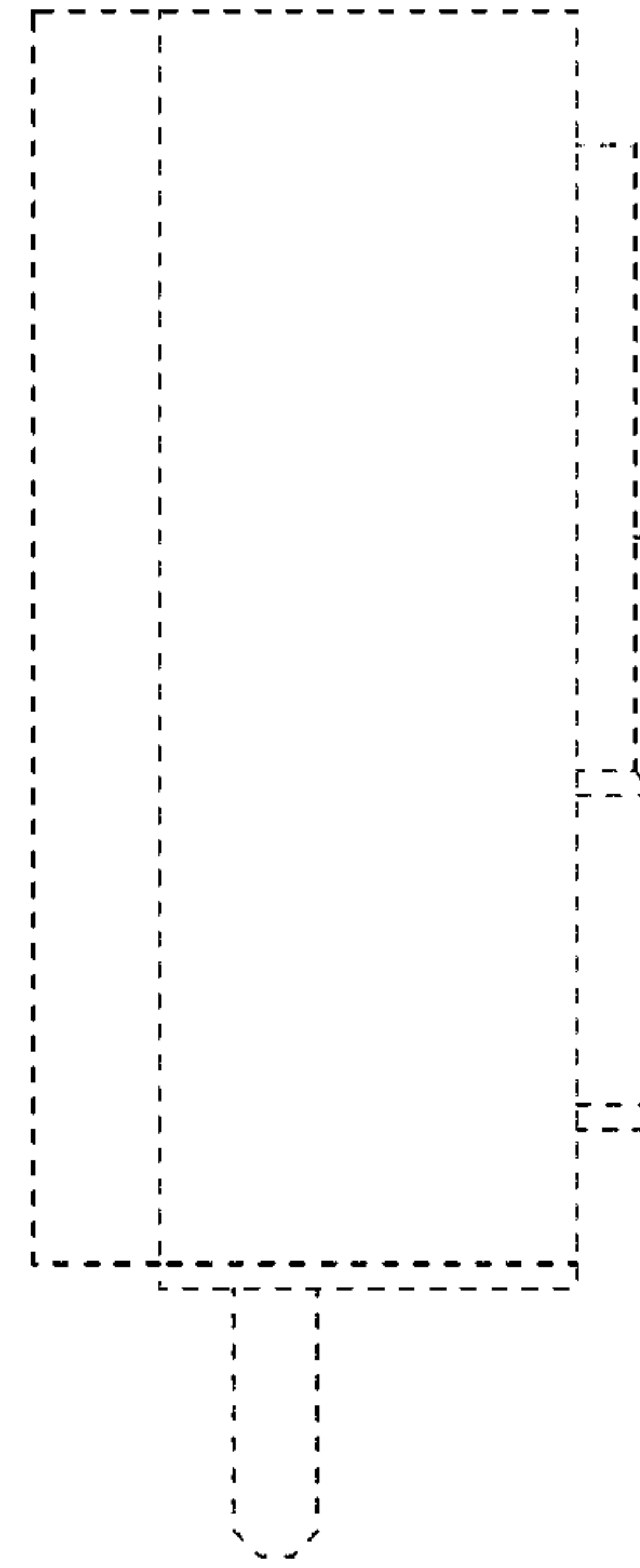


Fig. 9

