



US00D724541S

(12) **United States Design Patent**
Endo et al.

(10) **Patent No.:** **US D724,541 S**
(45) **Date of Patent:** **** Mar. 17, 2015**

(54) **ELECTRIC CONNECTOR**

(71) Applicant: **Dai-Ichi Seiko Co., Ltd.**, Kyoto (JP)
(72) Inventors: **Takayoshi Endo**, Shizuoka (JP); **Sakai Yagi**, Shizuoka (JP); **Masaru Senmyou**, Shizuoka (JP)
(73) Assignee: **Dai-Ichi Seiko Co., Ltd.**, Kyoto (JP)

(**) Term: **14 Years**

(21) Appl. No.: **29/451,148**

(22) Filed: **Mar. 28, 2013**

(30) **Foreign Application Priority Data**

Sep. 28, 2012 (JP) 2012-23755

(51) **LOC (10) Cl.** **13-03**

(52) **U.S. Cl.**
USPC **D13/147**

(58) **Field of Classification Search**
USPC D13/133, 146, 147, 154, 184, 199;
439/76.1, 78, 162, 282, 329, 374, 378,
439/557, 876, 953

See application file for complete search history.

(56) **References Cited**

U.S. PATENT DOCUMENTS

D312,243 S *	11/1990	Yamamoto	D13/147
D314,755 S *	2/1991	Endo et al.	D13/147
D315,331 S *	3/1991	Yamamoto	D13/146
D318,261 S *	7/1991	Saito	D13/147
D432,498 S *	10/2000	Kuroda	D13/133
D518,436 S *	4/2006	Kurasaki	D13/133
2013/0252444 A1 *	9/2013	Keswani et al.	439/76.1

* cited by examiner

Primary Examiner — Daniel Bui
(74) *Attorney, Agent, or Firm* — Wenderoth, Lind & Ponack, L.L.P.

(57) **CLAIM**

The ornamental design for an electric connector, as shown and described.

DESCRIPTION

FIG. 1 is a top plan view of an electric connector showing our new design.
FIG. 2 is a front elevation view thereof.
FIG. 3 is a bottom plan view thereof.
FIG. 4 is a right side elevation view thereof.
FIG. 5 is a rear elevation view thereof.
FIG. 6 is a perspective view from front/top/right side thereof; and,
FIG. 7 is a perspective view from rear/top/left side thereof.
The broken lines in the drawings are included to illustrate environment only and form no part of the claimed design.

1 Claim, 7 Drawing Sheets

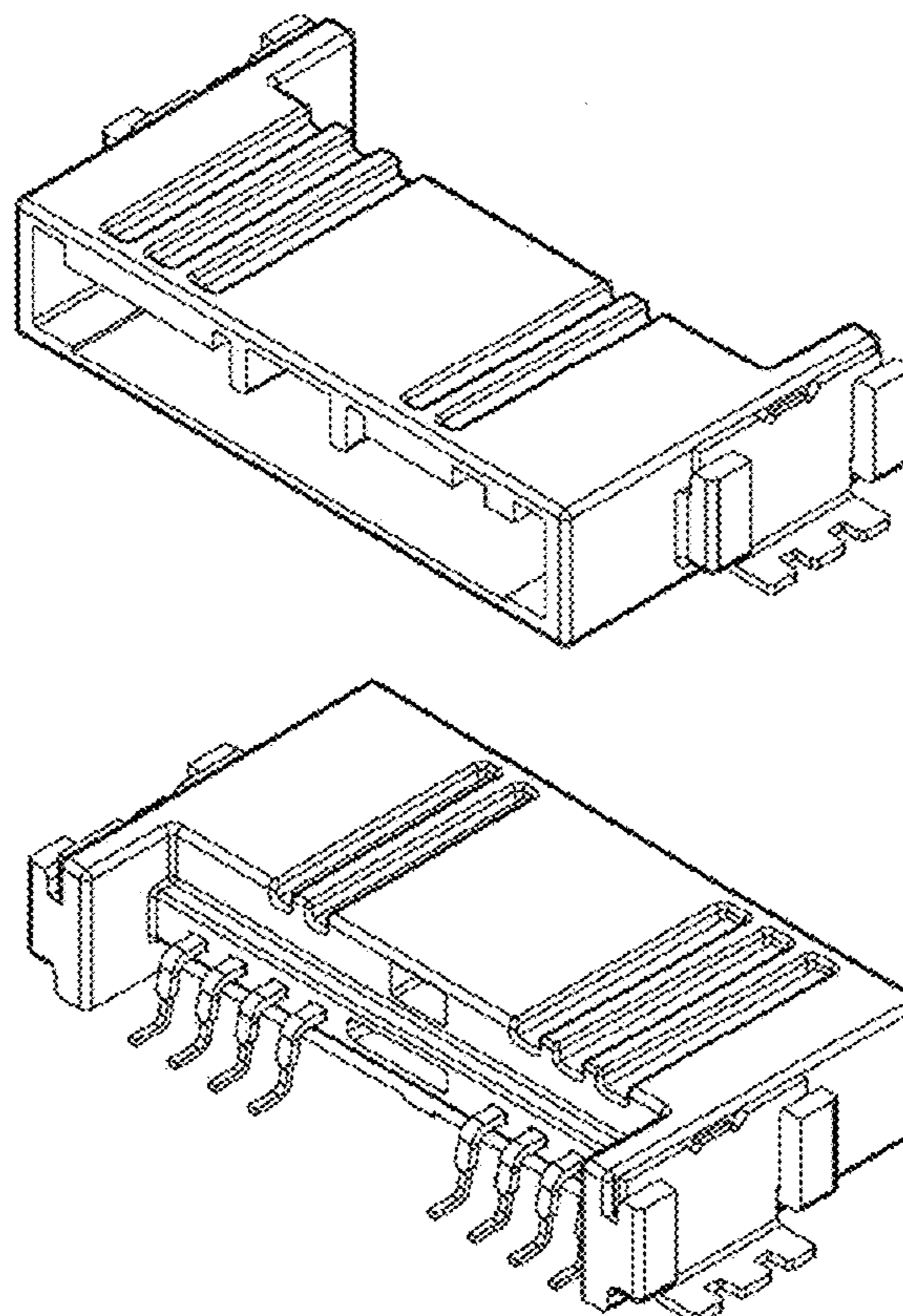


Fig. 1

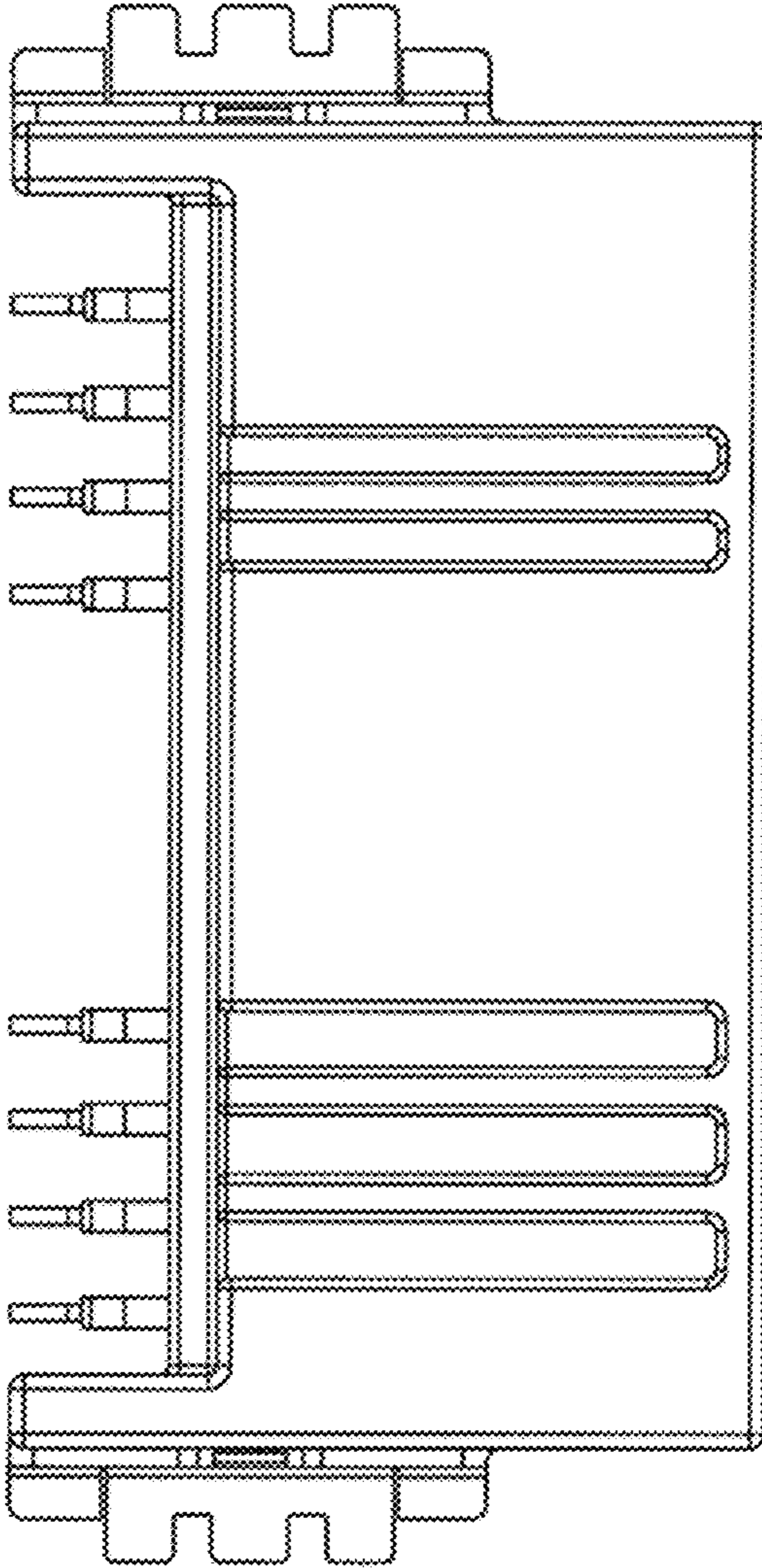


Fig. 2

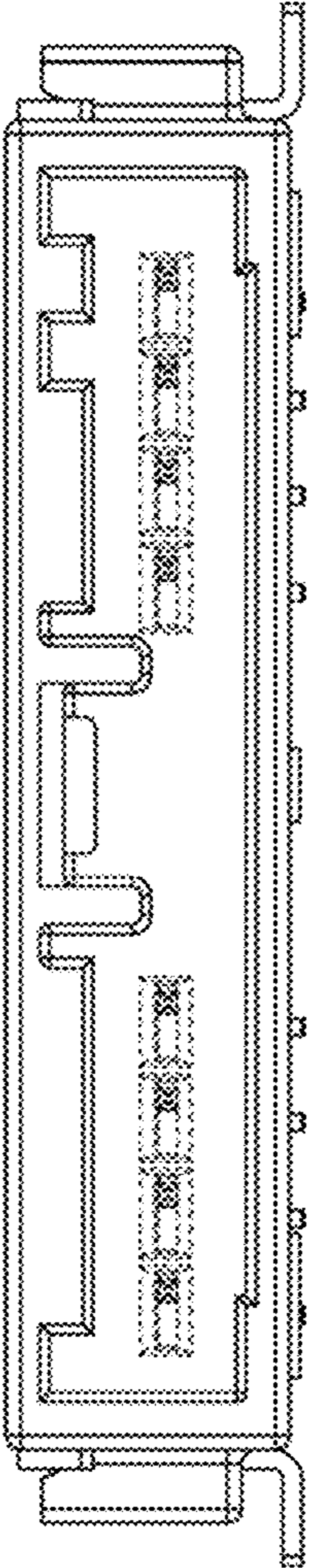


Fig. 3

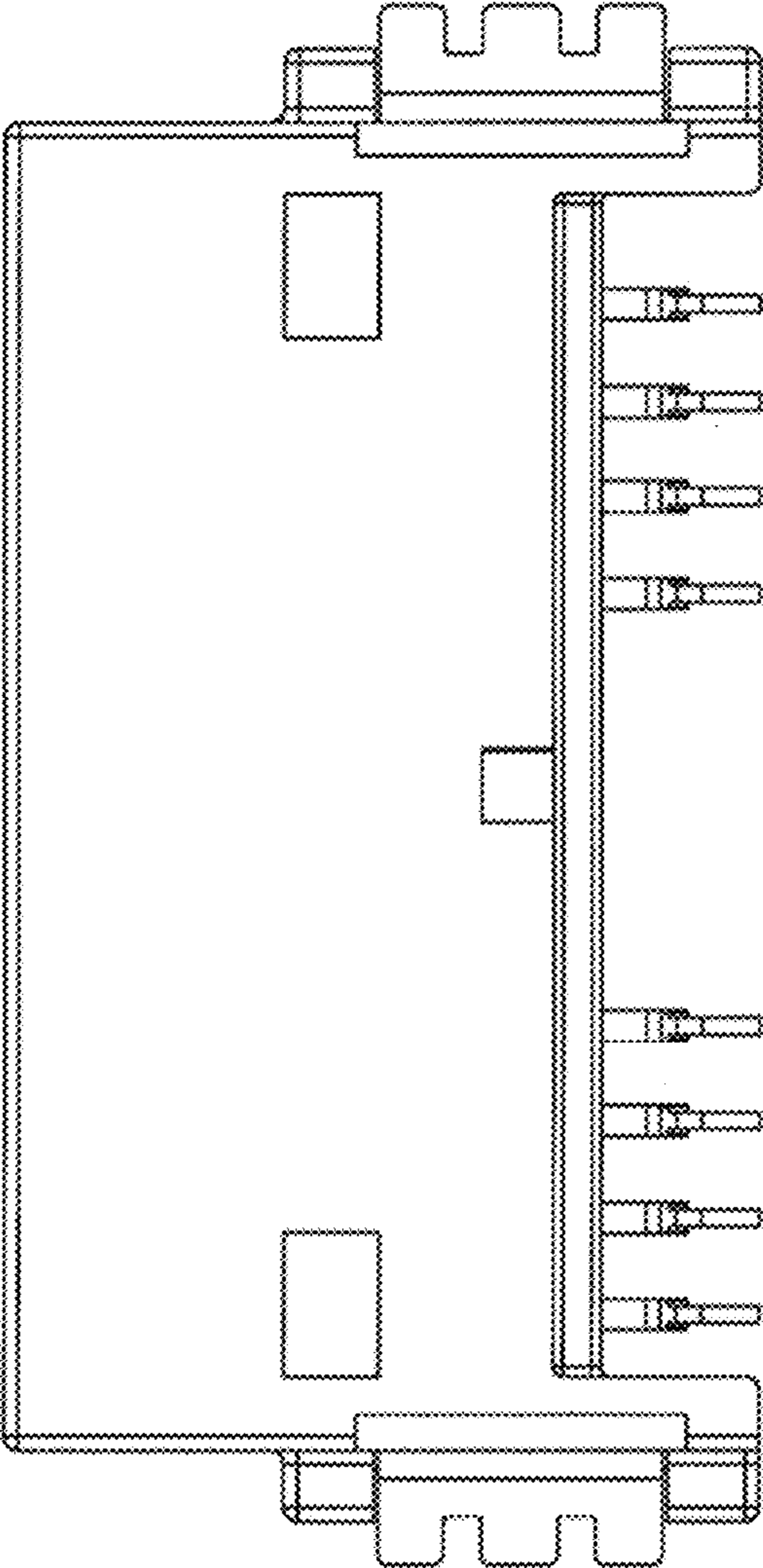


Fig. 4

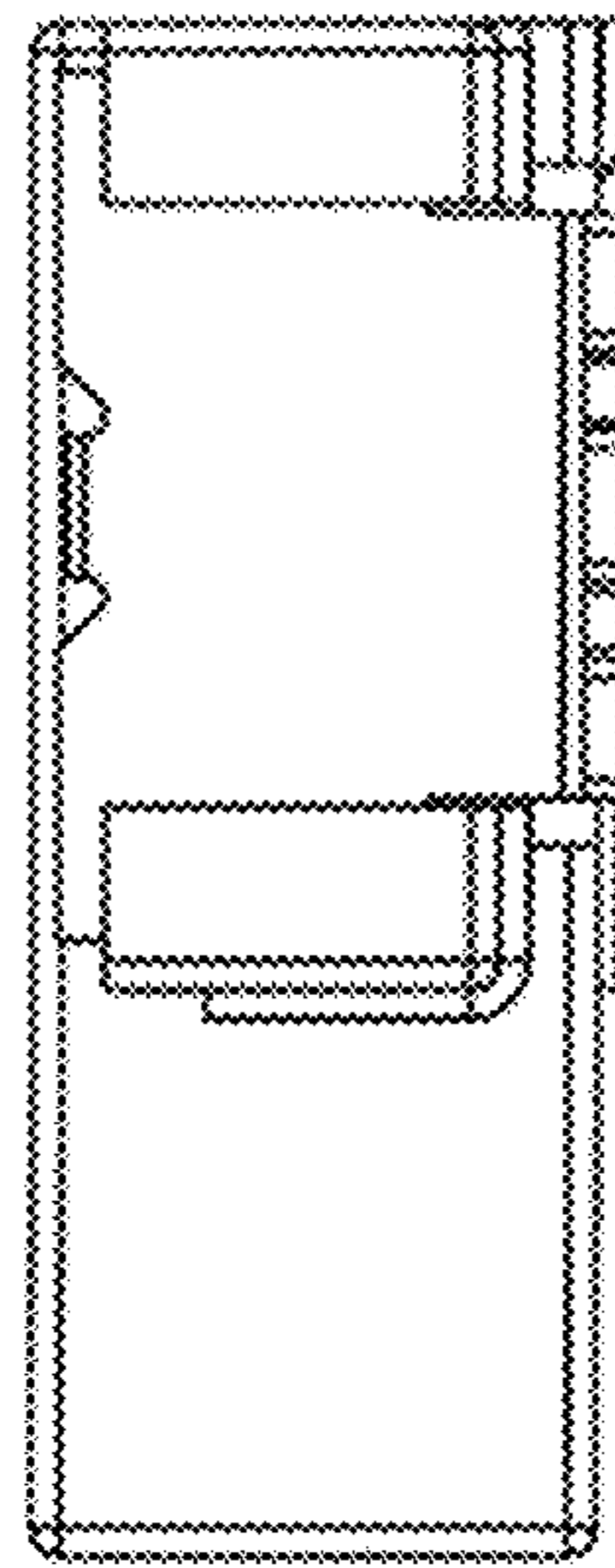


Fig. 5

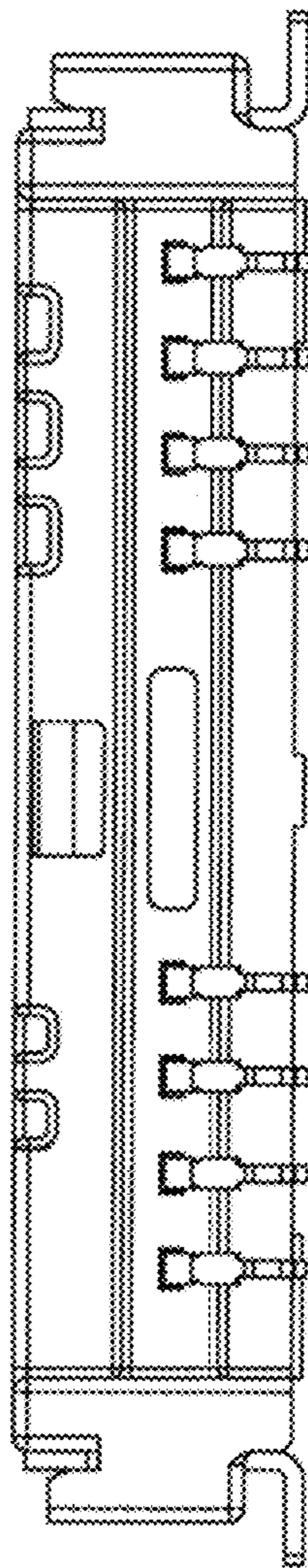


Fig. 6

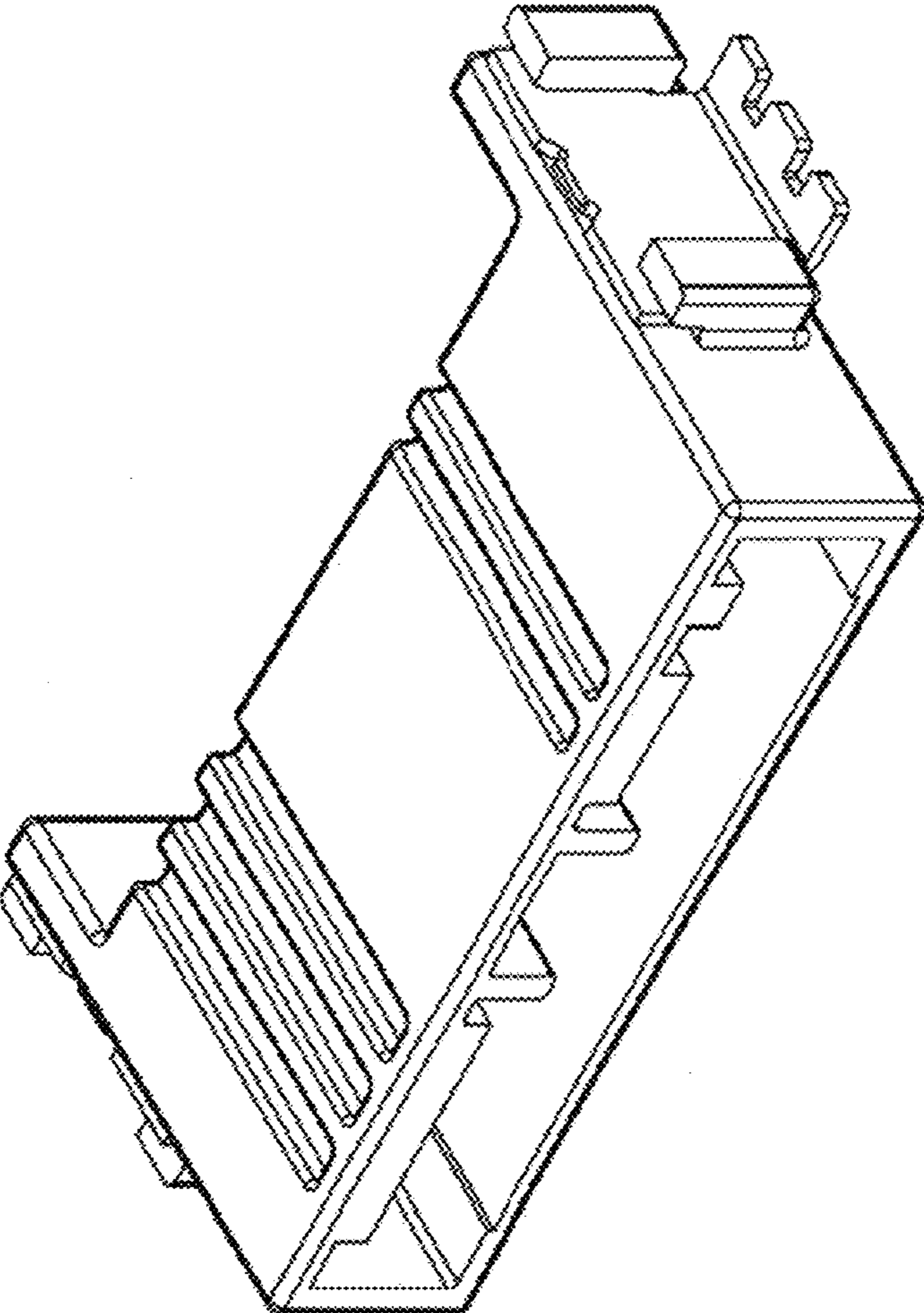


Fig. 7

