



US00D724539S

(12) **United States Design Patent**
Markoski et al.

(10) **Patent No.:** **US D724,539 S**
(45) **Date of Patent:** **** Mar. 17, 2015**

- (54) **GAS ADAPTOR FOR ELECTRIC GENERATOR**
- (71) Applicant: **INI Power Systems, Inc.**, Morrisville, NC (US)
- (72) Inventors: **Larry J. Markoski**, Raleigh, NC (US); **William Kevin Carpenter**, Warrensville, NC (US); **Nathan Thomas Spalding Maher**, Cary, NC (US)
- (73) Assignee: **INI Power Systems, Inc.**, Morrisville, NC (US)
- (**) Term: **14 Years**
- (21) Appl. No.: **29/462,050**
- (22) Filed: **Jul. 30, 2013**
- (51) **LOC (10) Cl.** **13-01**
- (52) **U.S. Cl.**
USPC **D13/122**
- (58) **Field of Classification Search**
CPC F02B 63/04
USPC 123/2, 3; 290/1 A, 1 B, 1 R; 310/89; 322/100; 361/730, 836; D13/101, 110, D13/112, 113, 114, 115, 116, 118, 122, 184, D13/199; D23/111, 351, 395
See application file for complete search history.

4,729,353 A *	3/1988	Streng	123/195 A
5,162,662 A *	11/1992	Nakayama	290/1 A
D332,443 S *	1/1993	Sharpe	D13/184
D347,210 S *	5/1994	Sharpe	D13/184
D405,766 S *	2/1999	Hartel et al.	D13/184
5,949,640 A *	9/1999	Cameron et al.	361/600
7,304,852 B2 *	12/2007	Hernandez et al.	361/714
D703,609 S *	4/2014	Koenig	D13/110
2004/0197608 A1 *	10/2004	Fuglevand	429/9
2008/0224476 A1 *	9/2008	Kim et al.	290/1 A

* cited by examiner

Primary Examiner — Derrick Holland
Assistant Examiner — Jennifer O King
(74) *Attorney, Agent, or Firm* — Evan Law Group LLC

(57) **CLAIM**

The ornamental design for a gas adaptor for electric generator, as shown and described.

DESCRIPTION

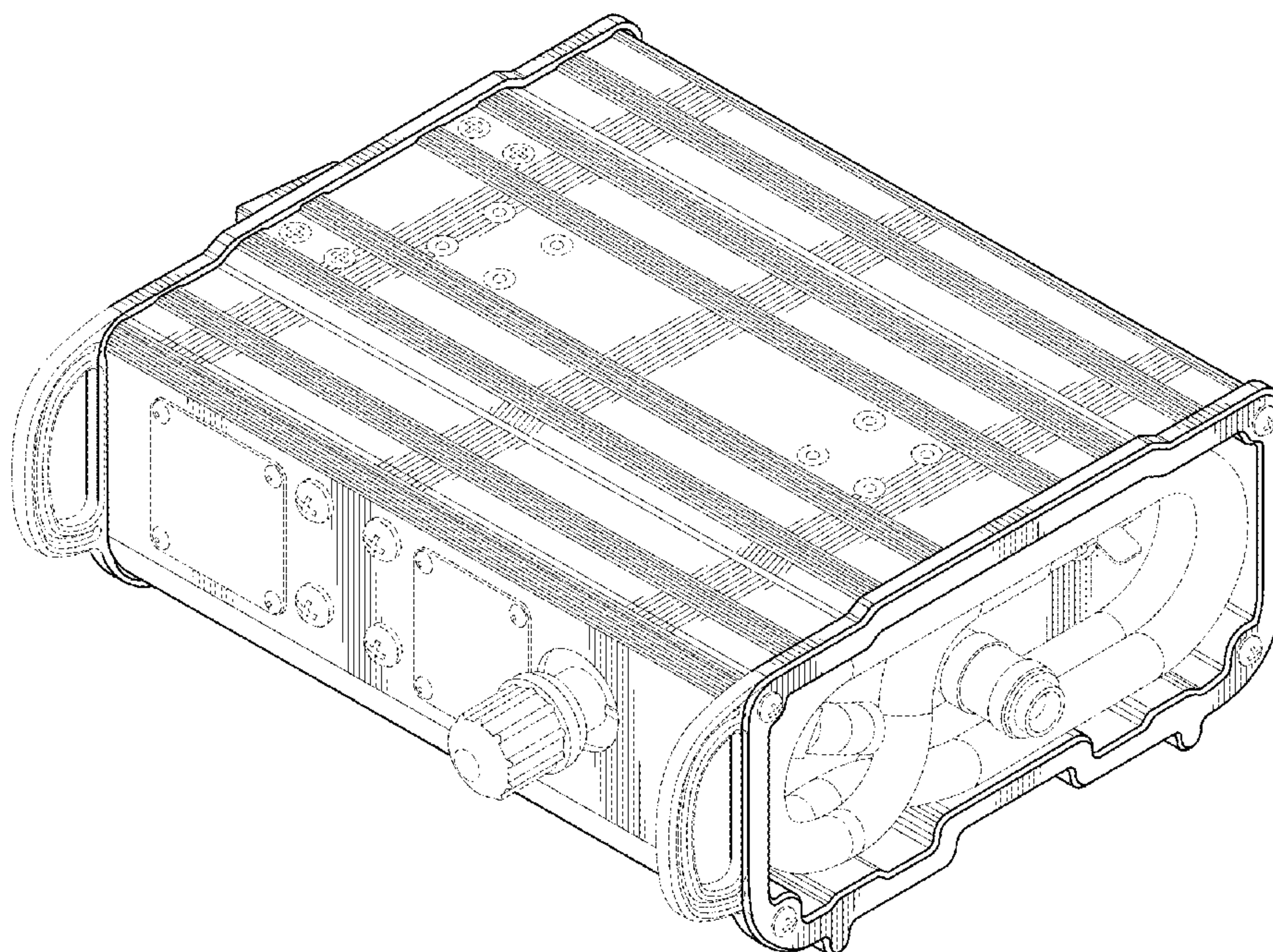
FIG. 1 is a top and left front perspective view of a gas adaptor for electric generator, showing our design;
FIG. 2 is a top and right rear perspective view thereof;
FIG. 3 is a right side elevational view thereof;
FIG. 4 is a left side elevational view thereof;
FIG. 5 is a front elevational view thereof;
FIG. 6 is a rear elevational view thereof;
FIG. 7 is a top plan view thereof; and,
FIG. 8 is a bottom plan view thereof.
The broken lines shown represent unclaimed subject matter and form no part of the claimed design.

1 Claim, 8 Drawing Sheets

(56) **References Cited**

U.S. PATENT DOCUMENTS

D260,762 S *	9/1981	Peroni	D10/103
4,656,559 A *	4/1987	Fathi	361/721



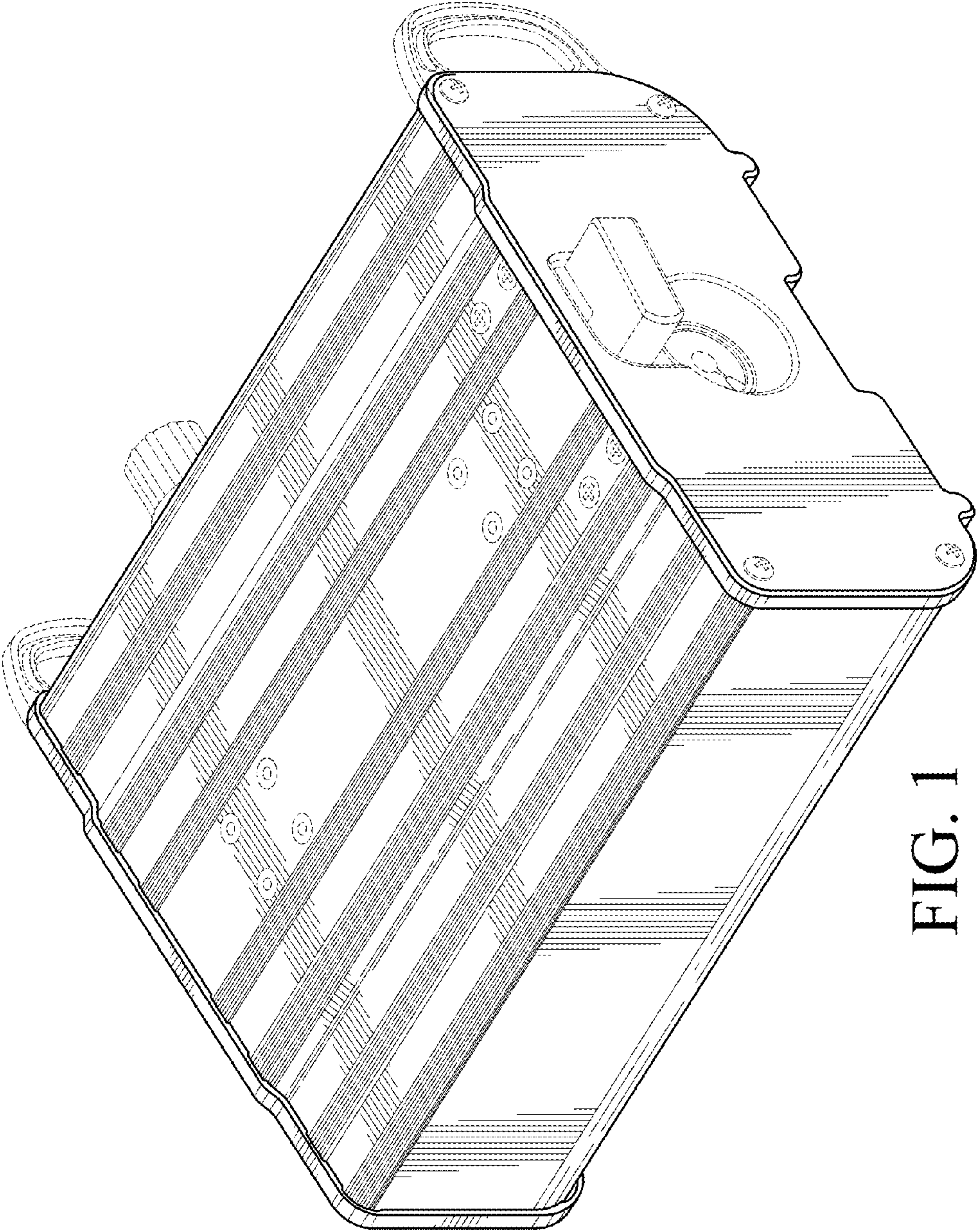


FIG. 1

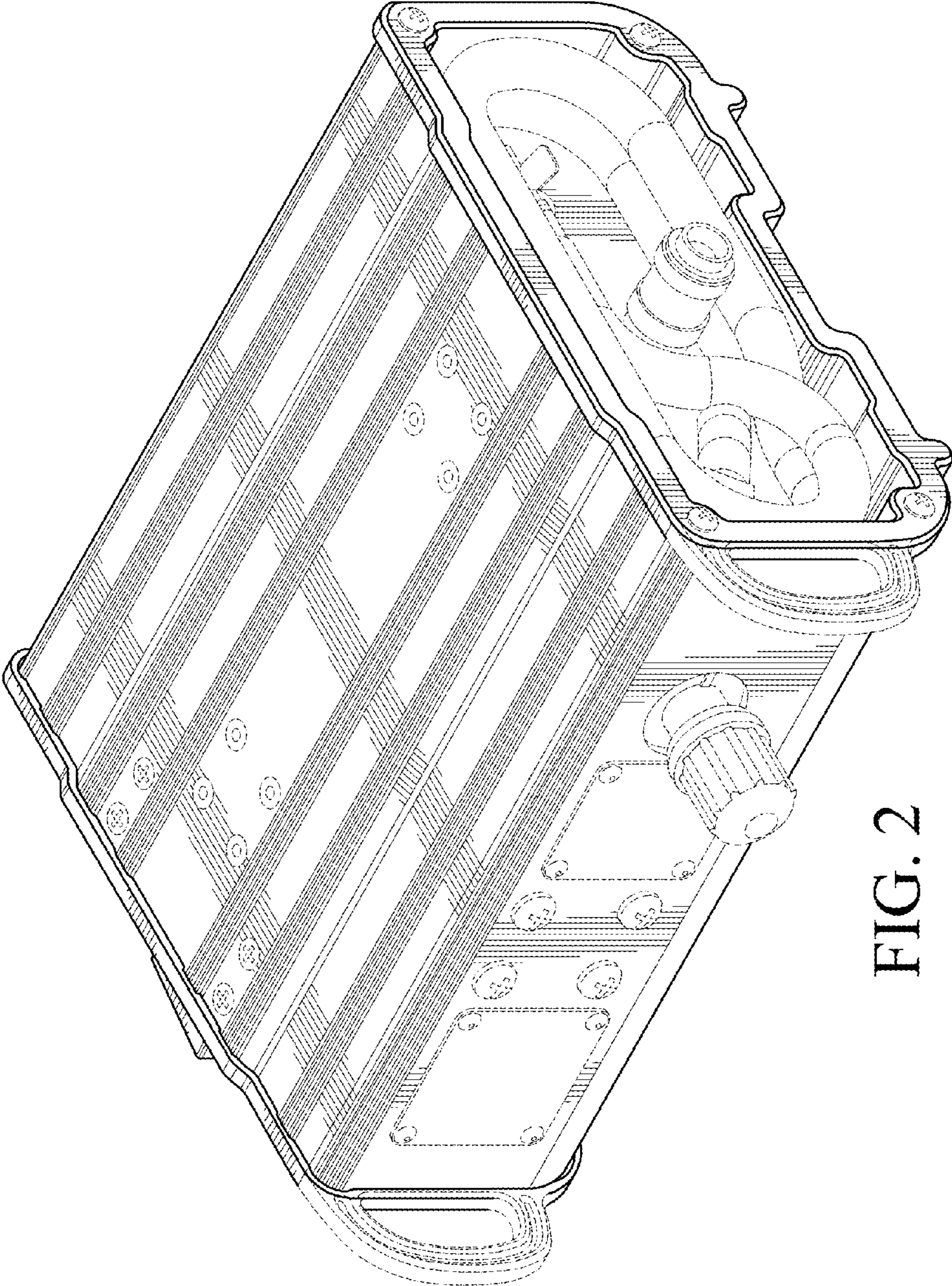


FIG. 2

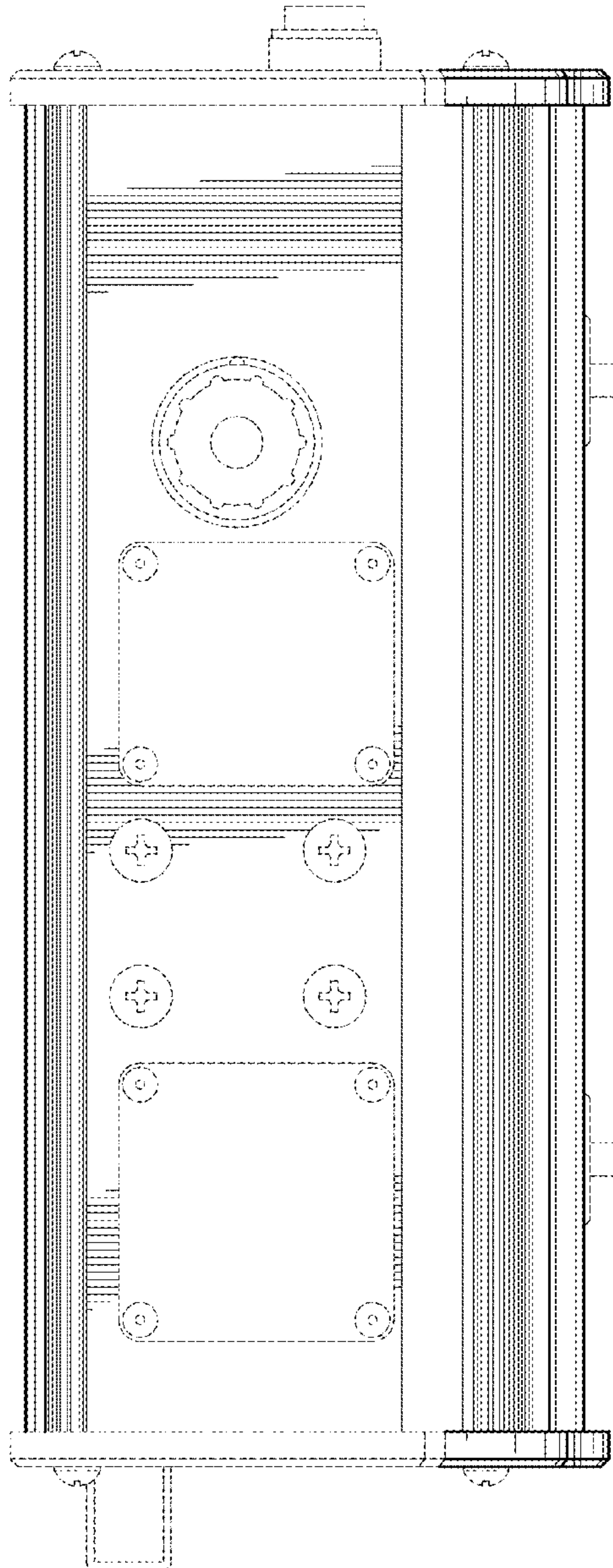


FIG. 3

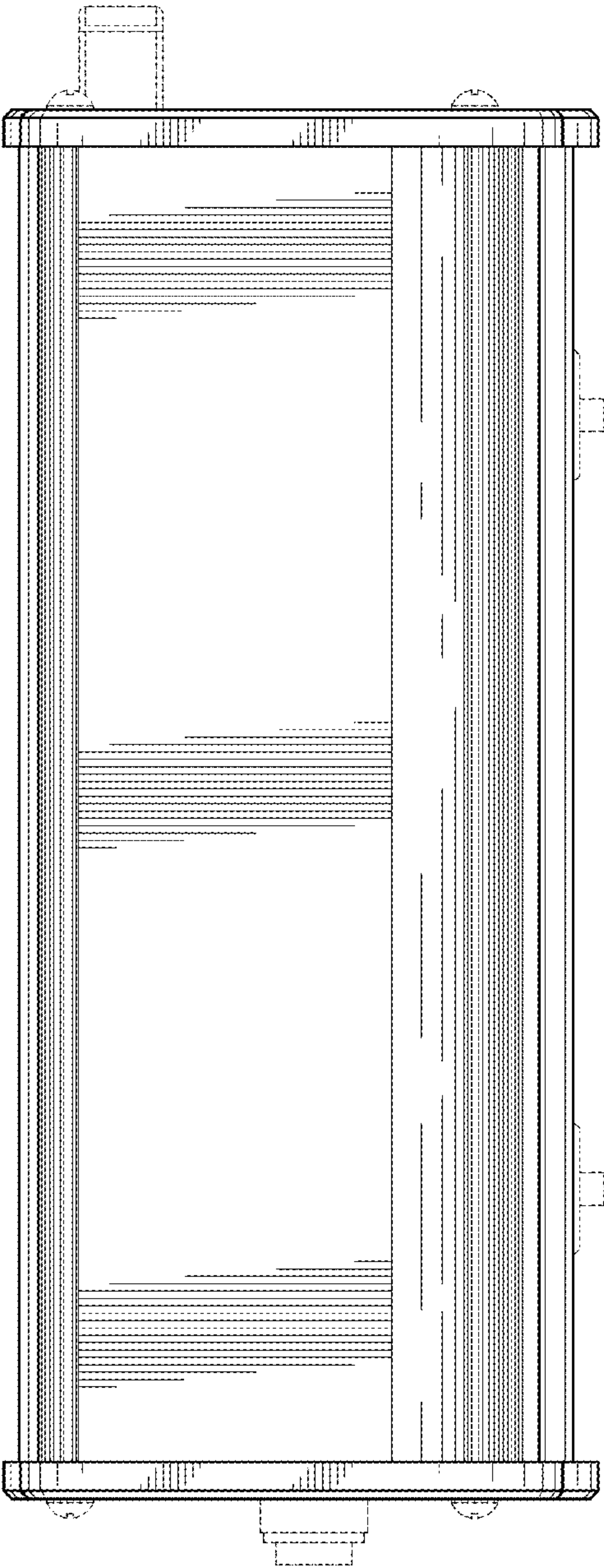


FIG. 4

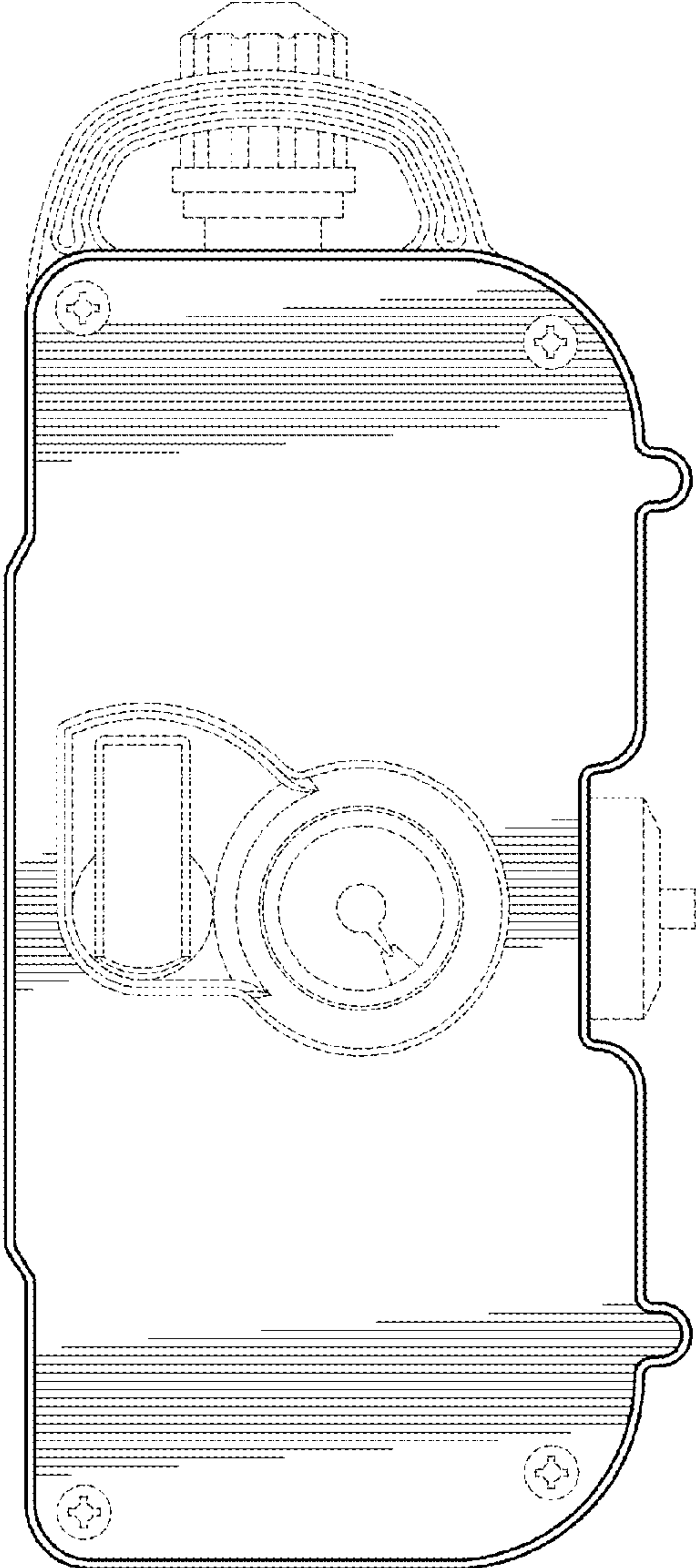


FIG. 5

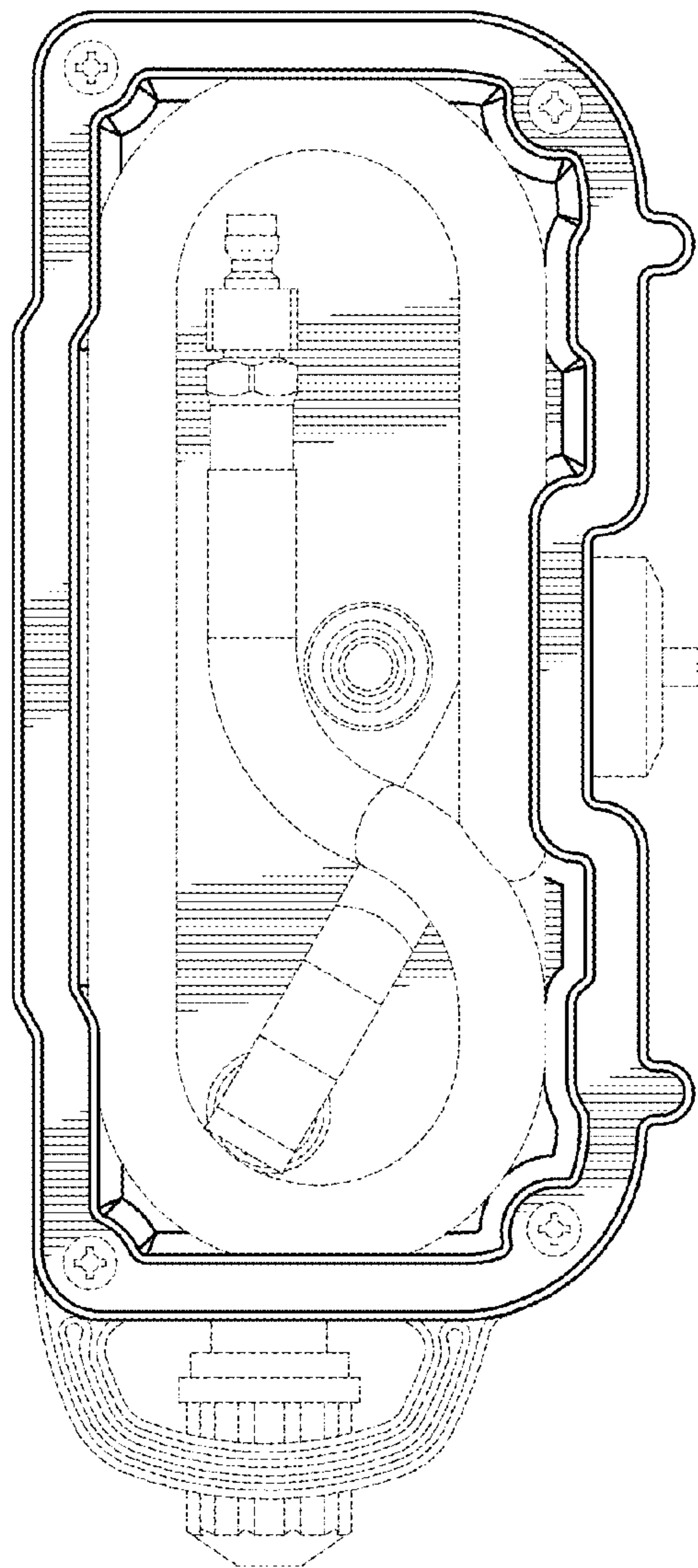


FIG. 6

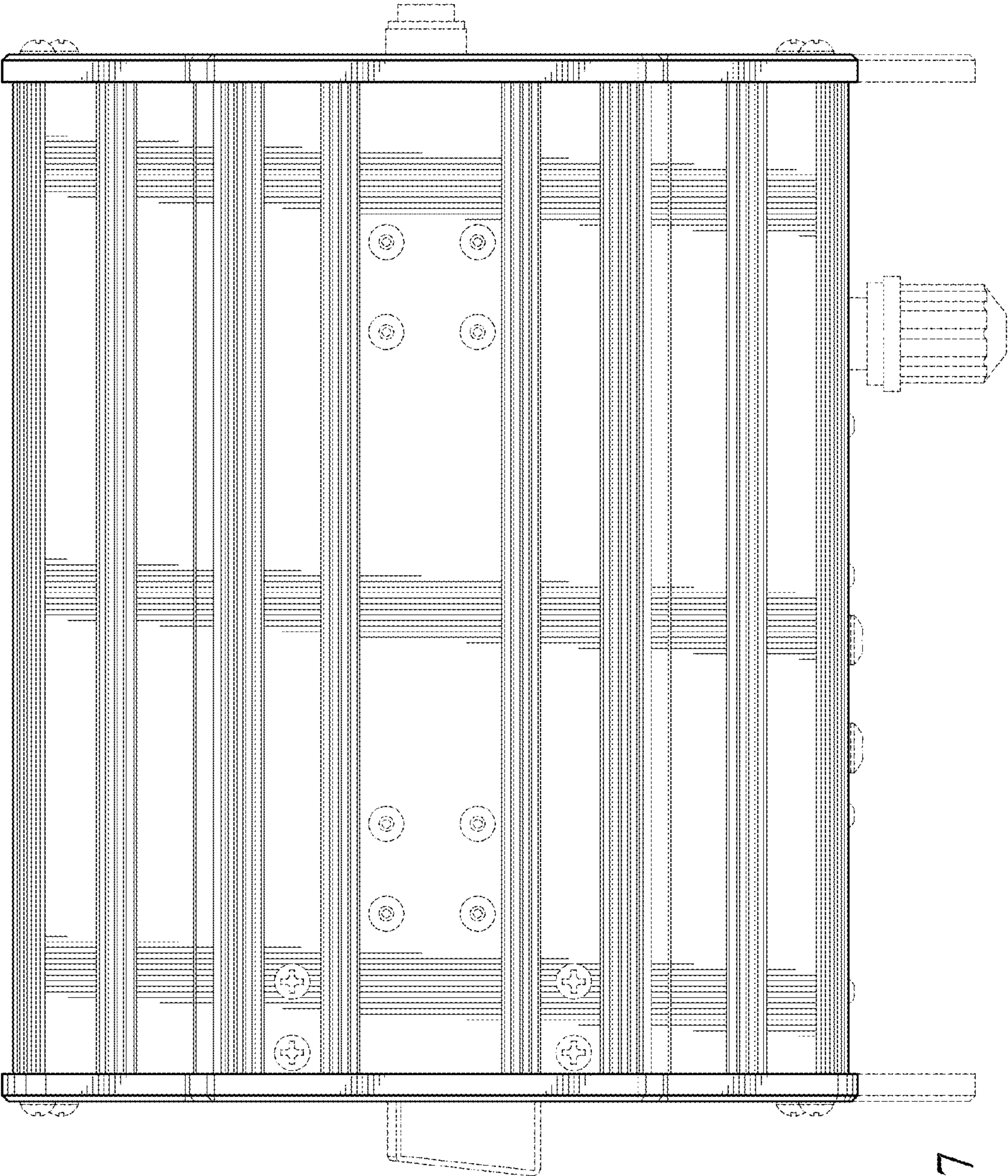


FIG. 7

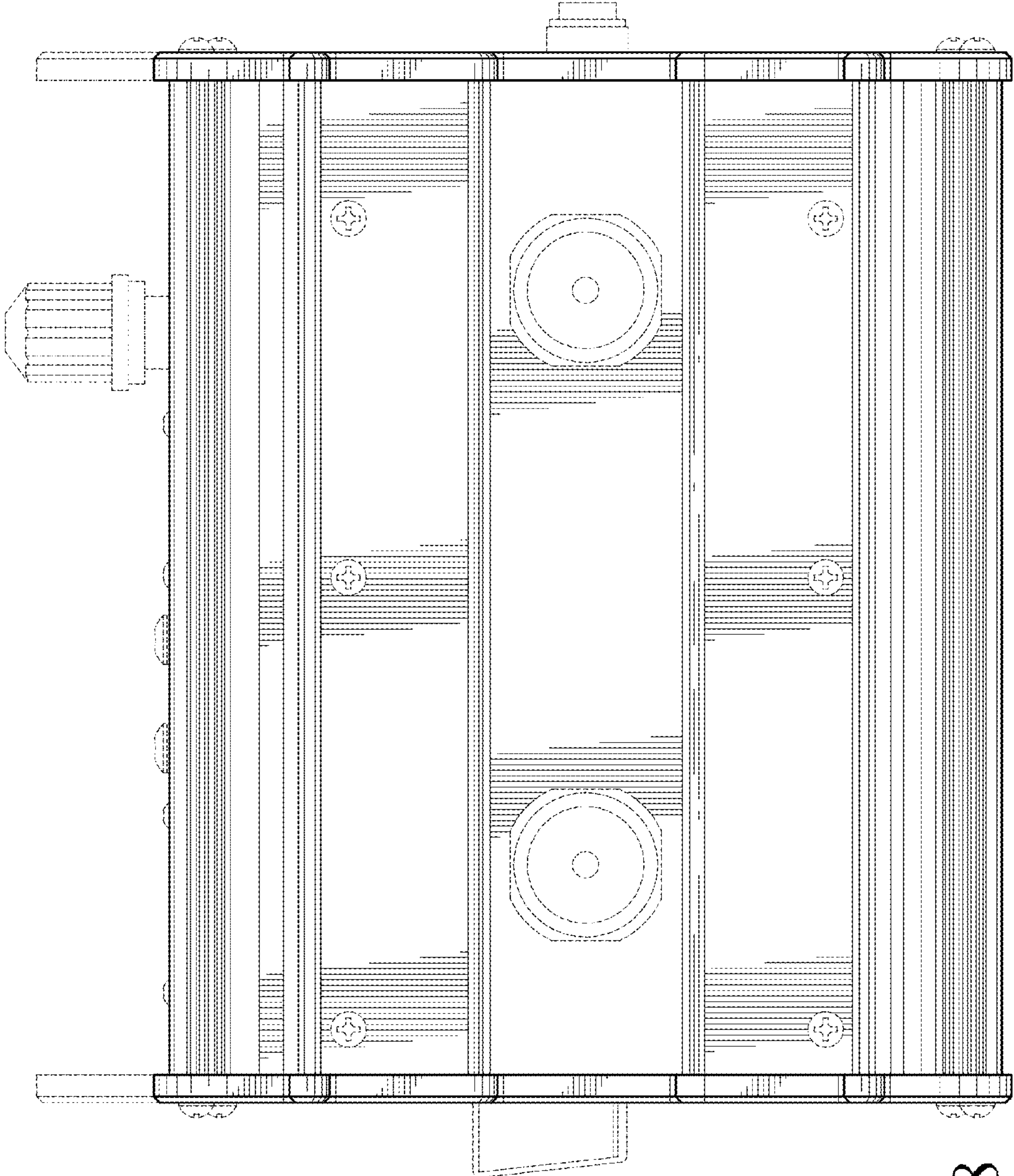


FIG. 8