



US00D724538S

(12) **United States Design Patent**
Baumgartner et al.

(10) **Patent No.:** **US D724,538 S**
(45) **Date of Patent:** **** Mar. 17, 2015**

(54) **BATTERY**

(71) Applicant: **Woodman Labs, Inc.**, San Mateo, CA (US)

(72) Inventors: **Karen Ann Baumgartner**, San Mateo, CA (US); **David Andres Guasca**, San Mateo, CA (US); **David Christophe Northway**, San Carlos, CA (US)

(73) Assignee: **GoPro, Inc.**, San Mateo, CA (US)

(**) Term: **14 Years**

(21) Appl. No.: **29/451,523**

(22) Filed: **Apr. 3, 2013**

Related U.S. Application Data

(63) Continuation of application No. 29/434,205, filed on Oct. 10, 2012, now Pat. No. Des. 682,778.

(51) **LOC (10) Cl.** **13-02**

(52) **U.S. Cl.**
USPC **D13/119**

(58) **Field of Classification Search**

CPC Y02E 60/12; Y02E 60/122; Y02E 60/124;
Y02E 60/50; H01M 2/02; H01M 2/022;
H01M 2/0202; H01M 2/0207; H01M 2/0212;
H01M 2/1061; H01M 2/1022; H01M 2/1055;
H01M 2/1066; H01M 2/105; H01M 2/204;
H01M 10/4257; H01M 10/0436; H01M 10/48
USPC D13/102-106, 110, 119-121, 184;
429/96-100, 163, 176

See application file for complete search history.

(56) **References Cited**

U.S. PATENT DOCUMENTS

D260,513	S	*	9/1981	Comstock	D13/184
D299,651	S	*	1/1989	Preussner	D14/354
5,216,371	A	*	6/1993	Nagai	324/428
D354,739	S	*	1/1995	Durham et al.	D13/184
D409,160	S	*	5/1999	Sonntag	D13/184
D412,153	S	*	7/1999	Chen	D13/103
D456,006	S	*	4/2002	Maher et al.	D13/110
D480,682	S	*	10/2003	Kawase	D13/103
D483,329	S	*	12/2003	Kuo	D13/110
D494,940	S	*	8/2004	Fiocchi	D13/184
D524,241	S	*	7/2006	Takeshita et al.	D13/103
D610,539	S	*	2/2010	Dahan et al.	D13/110
D665,340	S	*	8/2012	Obata	D13/103
D682,778	S	*	5/2013	Baumgartner et al.	D13/103

* cited by examiner

Primary Examiner — Rosemary K Tarcza

(74) *Attorney, Agent, or Firm* — Fenwick & West LLP

(57) **CLAIM**

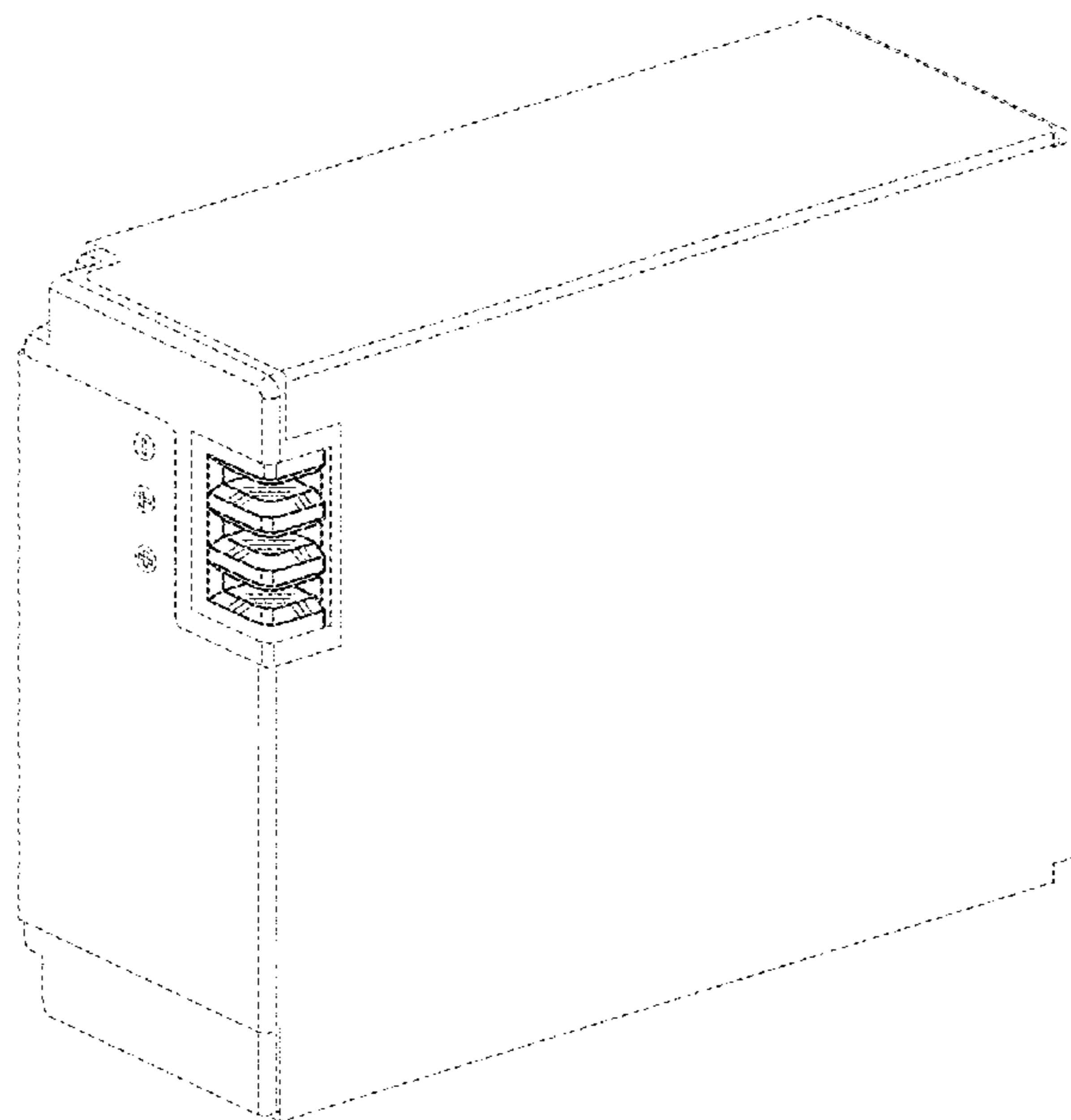
The ornamental design for a battery, as shown and described.

DESCRIPTION

FIG. 1 is a front, top and left side perspective view of a battery showing our new design according to a first embodiment; FIG. 2 is a rear, bottom and left side perspective view thereof; FIG. 3 is a rear, top and right side perspective view thereof; FIG. 4 is a rear elevational view thereof; FIG. 5 is a front elevational view thereof; FIG. 6 is a top plan view thereof; FIG. 7 is a bottom plan view thereof; FIG. 8 is a right side elevational view thereof; and, FIG. 9 is a left side elevational view thereof.

The broken lines in the drawings showing portions of the battery are included for the purpose of illustrating environmental structure and form no part of the claimed design.

1 Claim, 7 Drawing Sheets



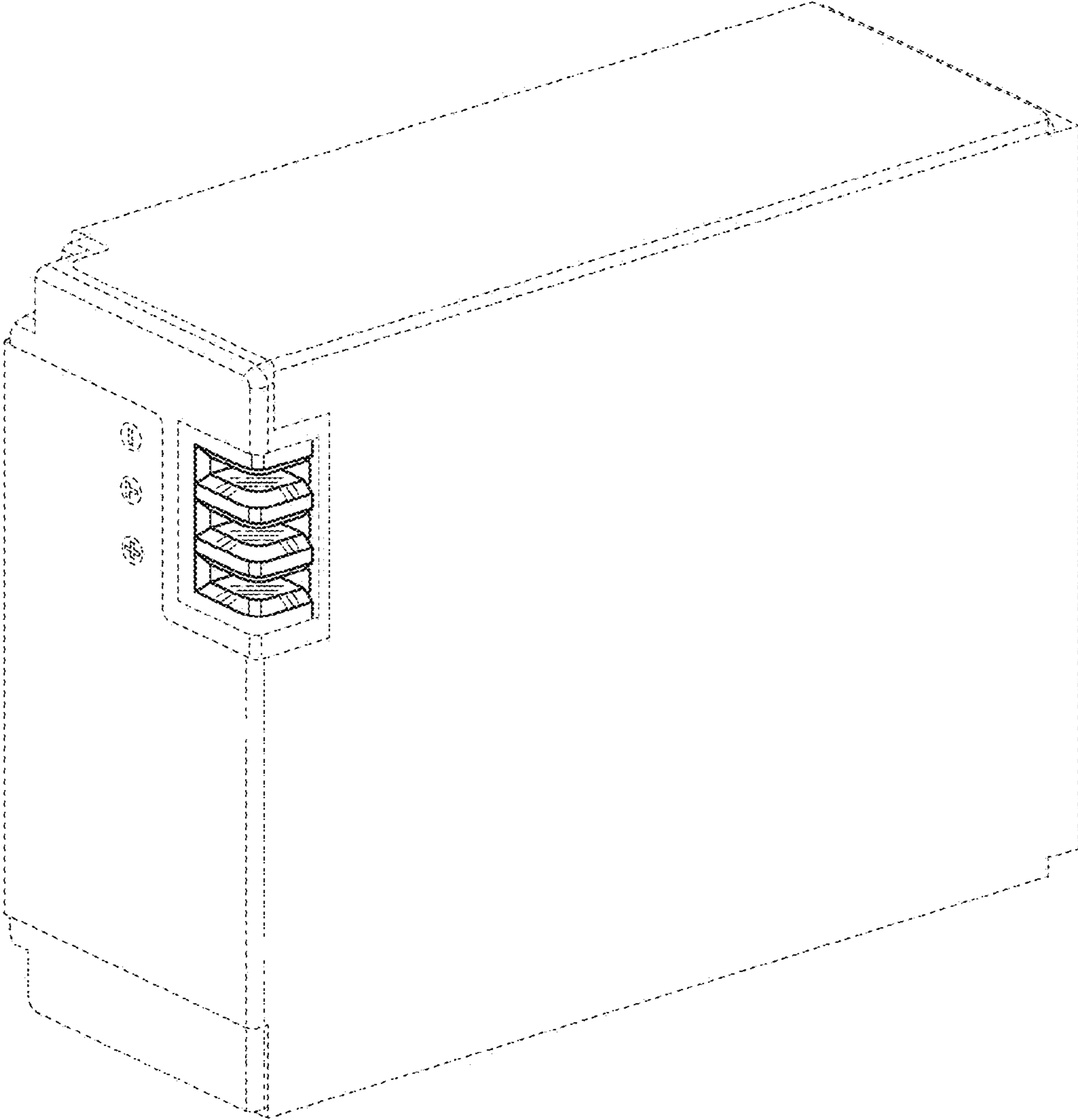


FIG. 1

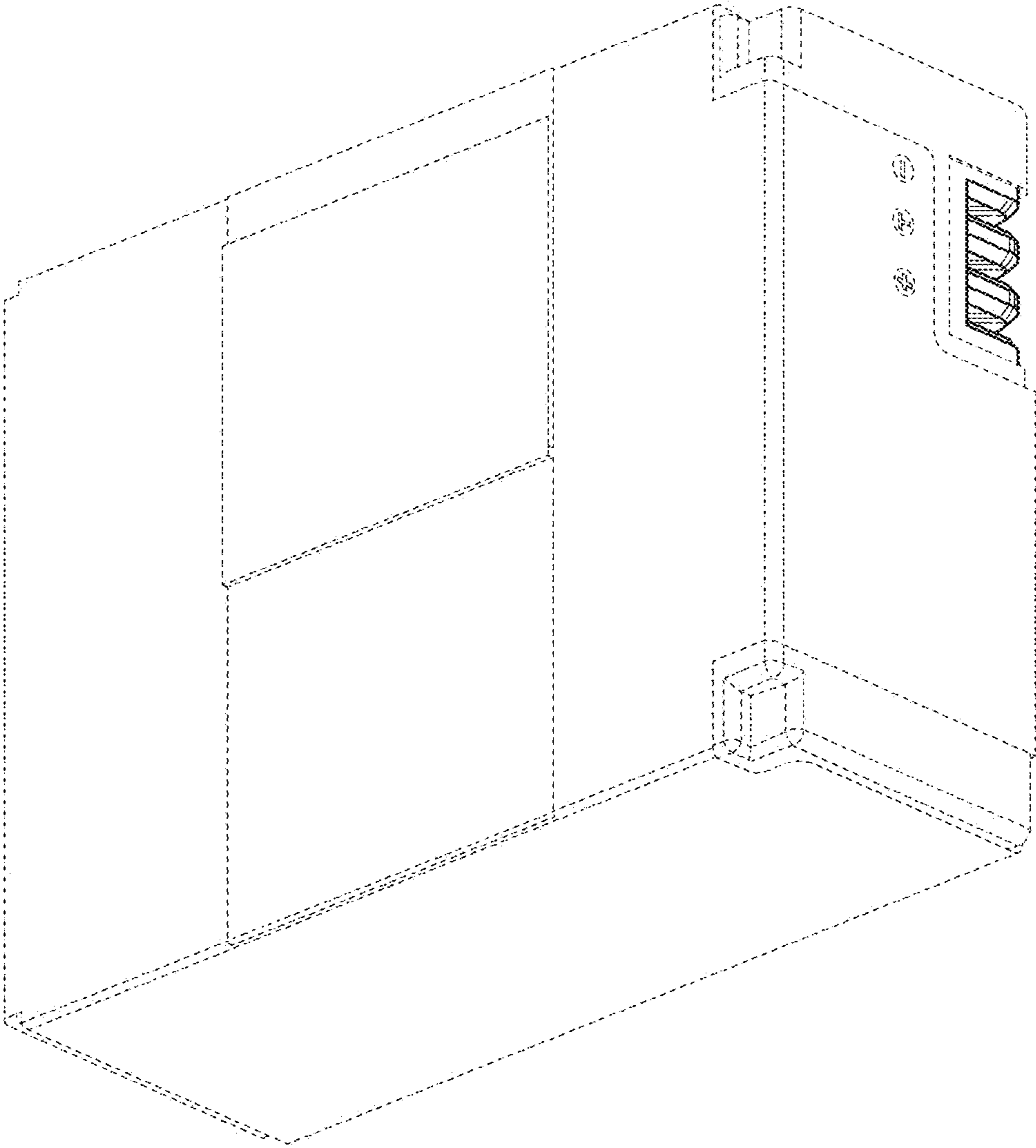


FIG. 2

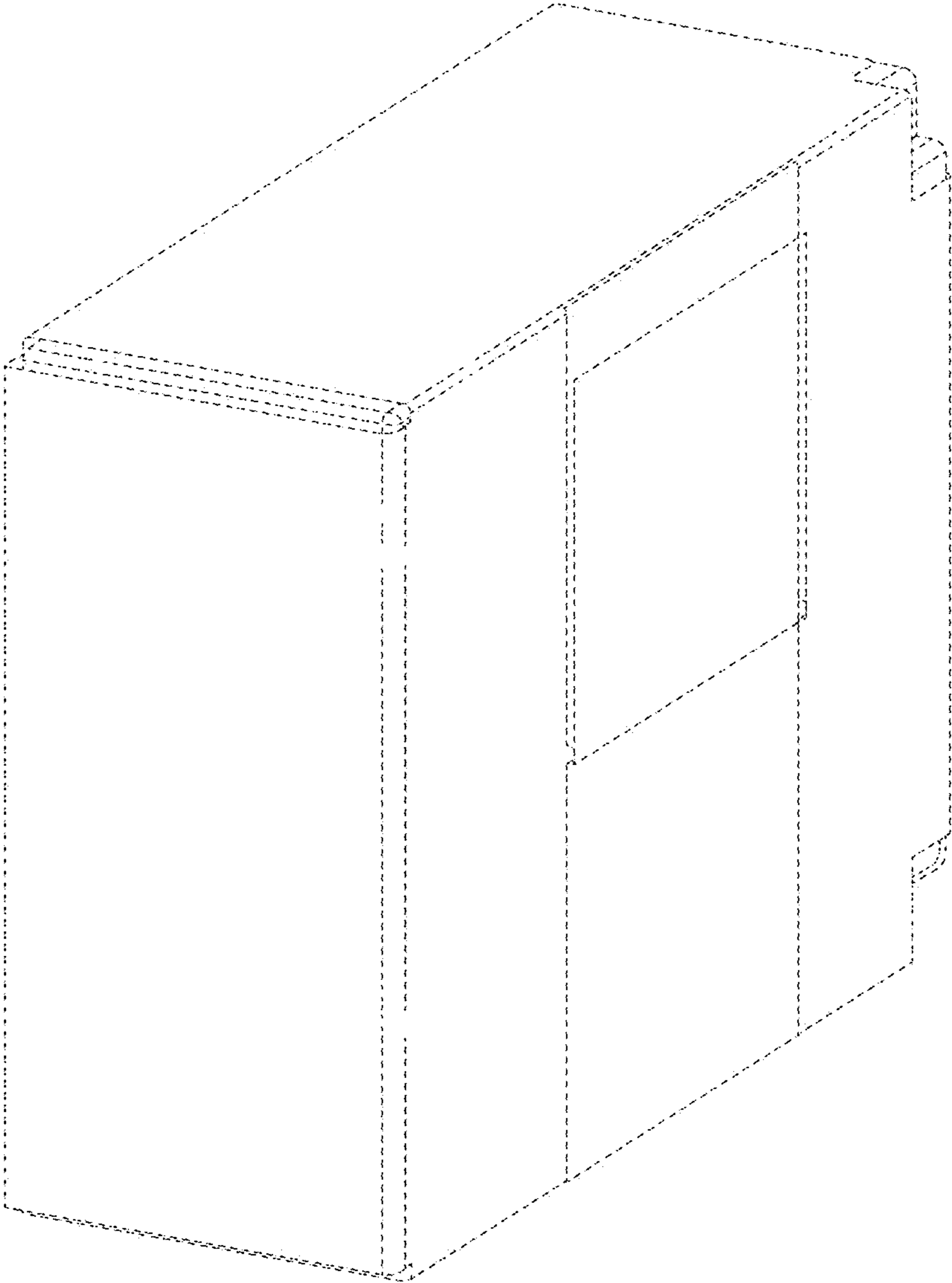


FIG. 3

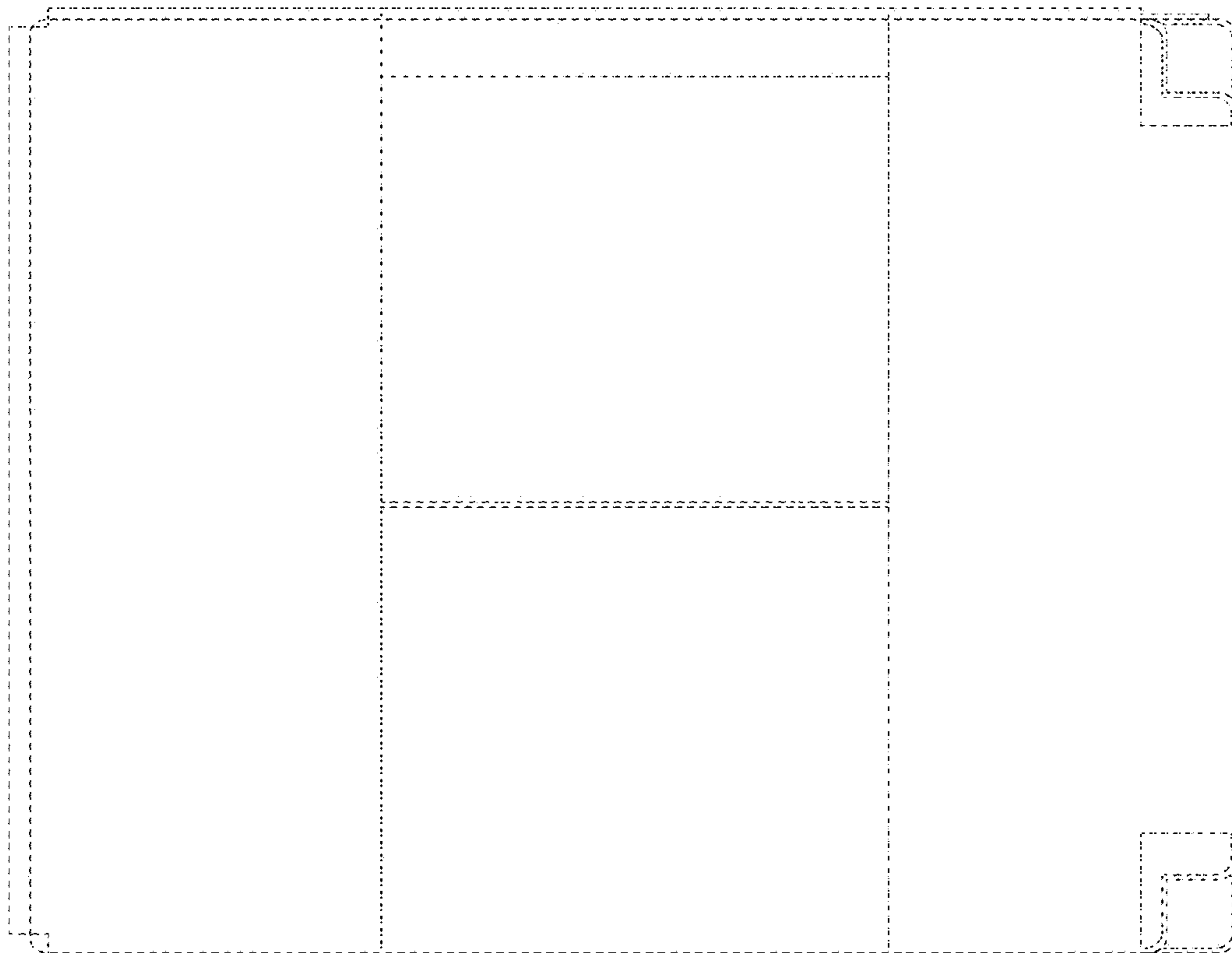


FIG. 4



FIG. 5



FIG. 6

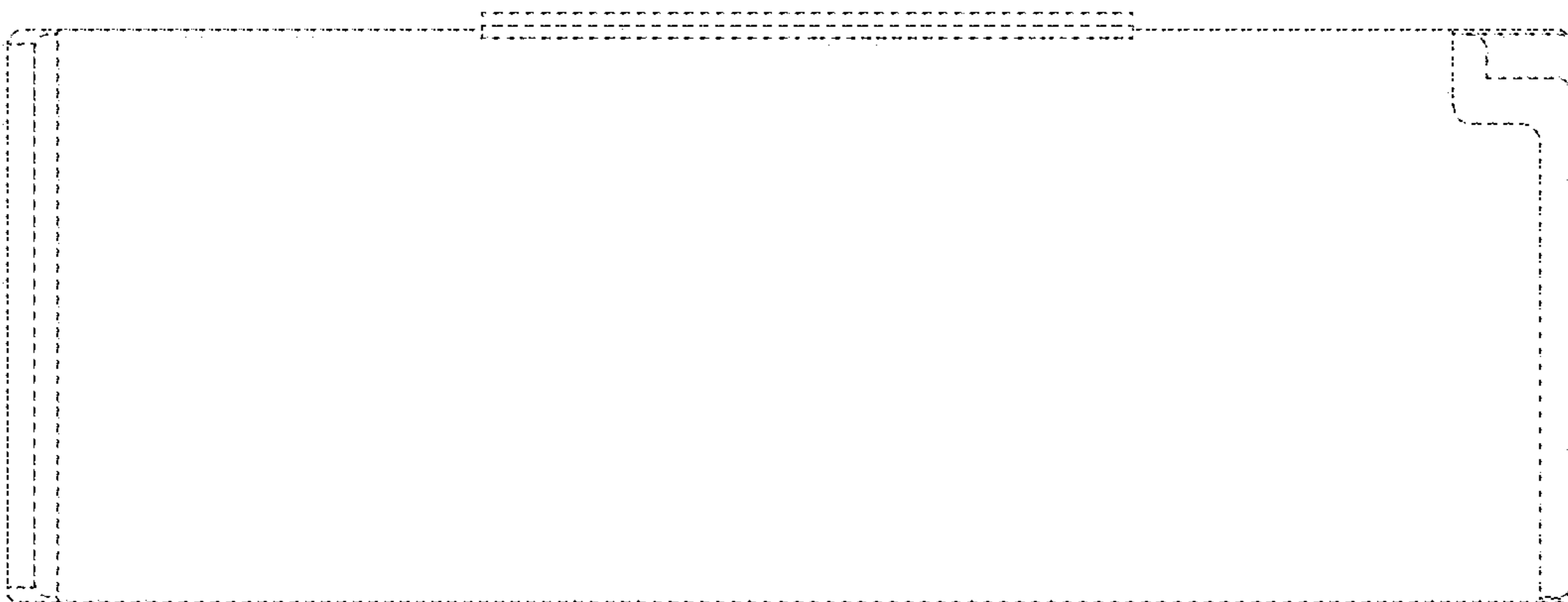


FIG. 7

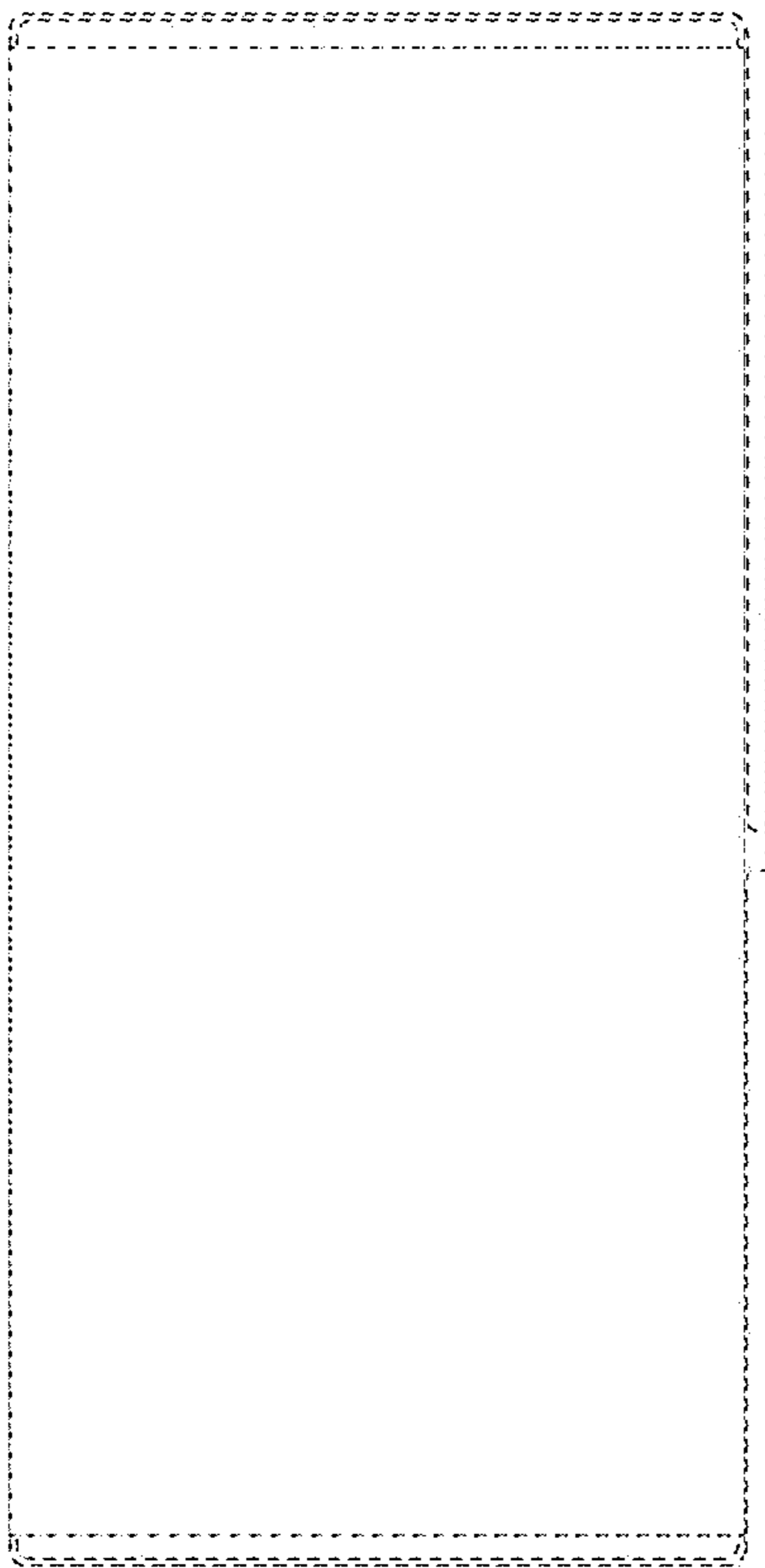


FIG. 8

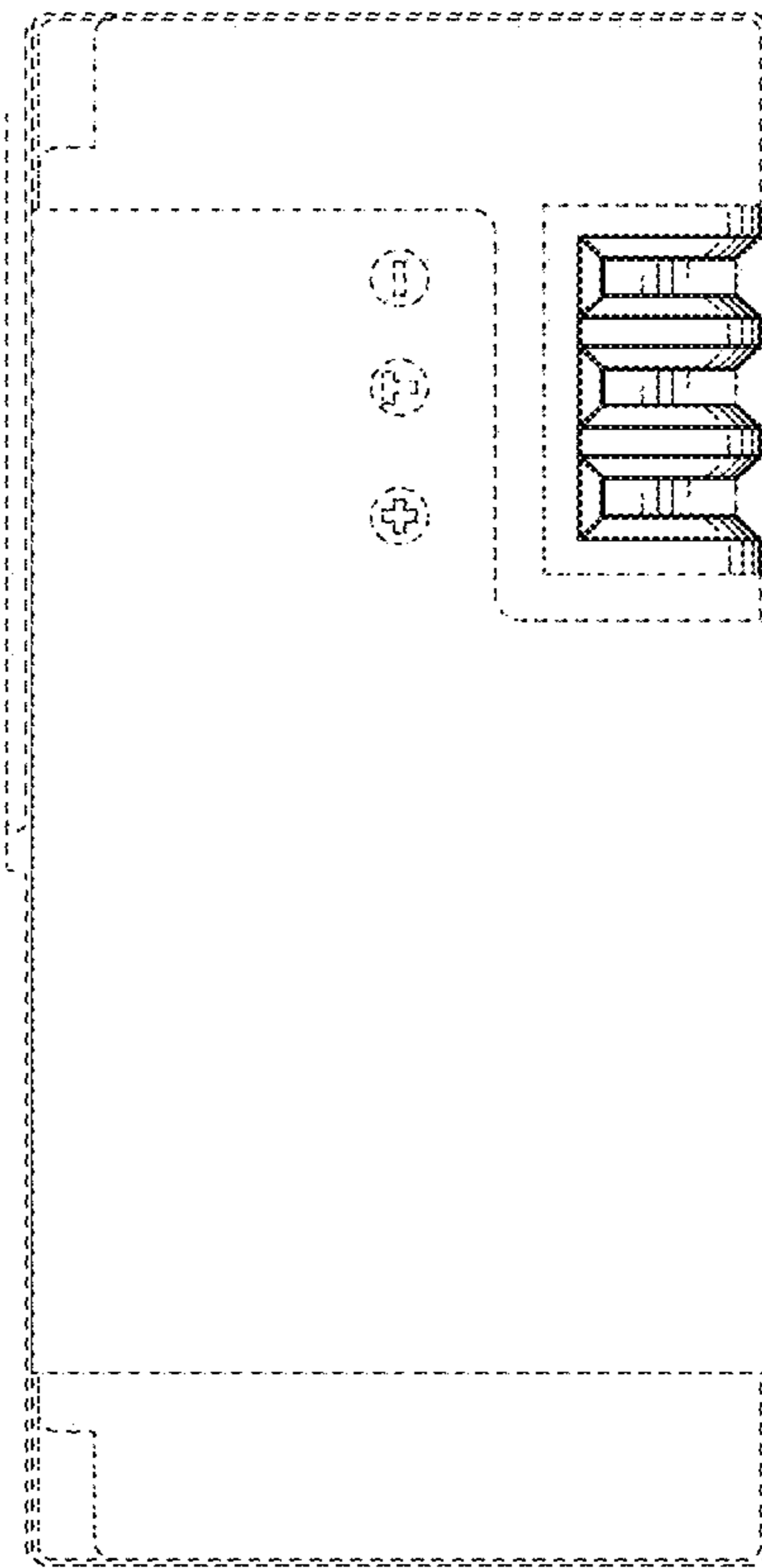


FIG. 9