



US00D724535S

(12) **United States Design Patent**
Wang et al.

(10) **Patent No.:** **US D724,535 S**
(45) **Date of Patent:** **** Mar. 17, 2015**

(54) **INVERTER**

(71) Applicant: **Ningbo Ginlong Technologies Co., Ltd.**, Ningbo (CN)

(72) Inventors: **Yiming Wang**, Ningbo (CN); **Hanwen Mei**, Ningbo (CN)

(73) Assignee: **Ningbo Ginlong Technologies Co., Ltd.**, Ningbo (CN)

(**) Term: **14 Years**

(21) Appl. No.: **29/492,018**

(22) Filed: **May 28, 2014**

(30) **Foreign Application Priority Data**

Nov. 28, 2013 (CN) 2013 3 0583576

(51) **LOC (10) Cl.** **13-02**

(52) **U.S. Cl.**
USPC **D13/110**

(58) **Field of Classification Search**
USPC D13/110, 101, 118, 123, 184, 199;
D14/432, 433; 307/125-131, 150-152;
361/600, 601, 603, 622, 702, 703, 730,
361/796, 809; 363/141, 142
See application file for complete search history.

(56) **References Cited**

U.S. PATENT DOCUMENTS

D298,824 S * 12/1988 Kondo et al. D13/110
5,949,640 A * 9/1999 Cameron et al. 361/600
D494,133 S * 8/2004 Song D13/110

D604,239 S * 11/2009 Engel et al. D13/110
7,817,406 B2 * 10/2010 Bremicker et al. 361/679.01
D627,725 S * 11/2010 Gebert D13/118
D644,603 S * 9/2011 Liu D13/102
D667,784 S * 9/2012 Choi D13/102
D675,564 S * 2/2013 Choi D13/110

* cited by examiner

Primary Examiner — Derrick Holland

(74) *Attorney, Agent, or Firm* — Ware, Fressola, Maguire & Barber LLP

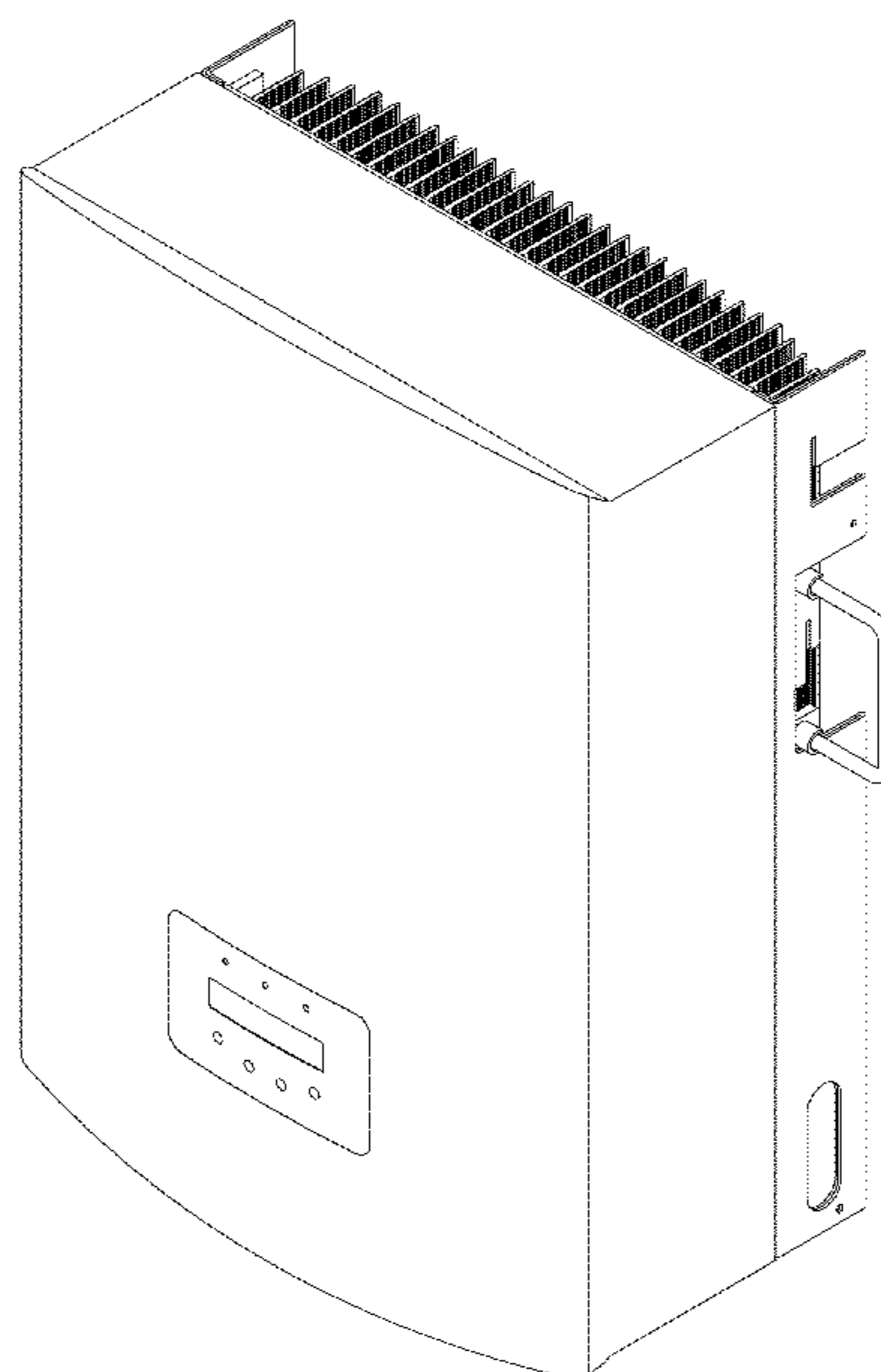
(57) **CLAIM**

We claim the ornamental design for an inverter, as shown and described.

DESCRIPTION

FIG. 1 is a front elevational view of the inverter of the invention;
FIG. 2 is a left elevational view of the inverter of the invention;
FIG. 3 is a right elevational view of the inverter of the invention;
FIG. 4 is a top plan view of the inverter of the invention;
FIG. 5 is a bottom plan view of the inverter of the invention;
FIG. 6 is a front isometric view of the inverter of the invention;
FIG. 7 is a front isometric view of the inverter of the invention showing an alternative position of the folding handles on the left and right sides of the inverter; and,
FIG. 8 is a front elevational view of the inverter of the invention showing the alternative position of the folding handles on the left and right sides of the inverter.

1 Claim, 7 Drawing Sheets



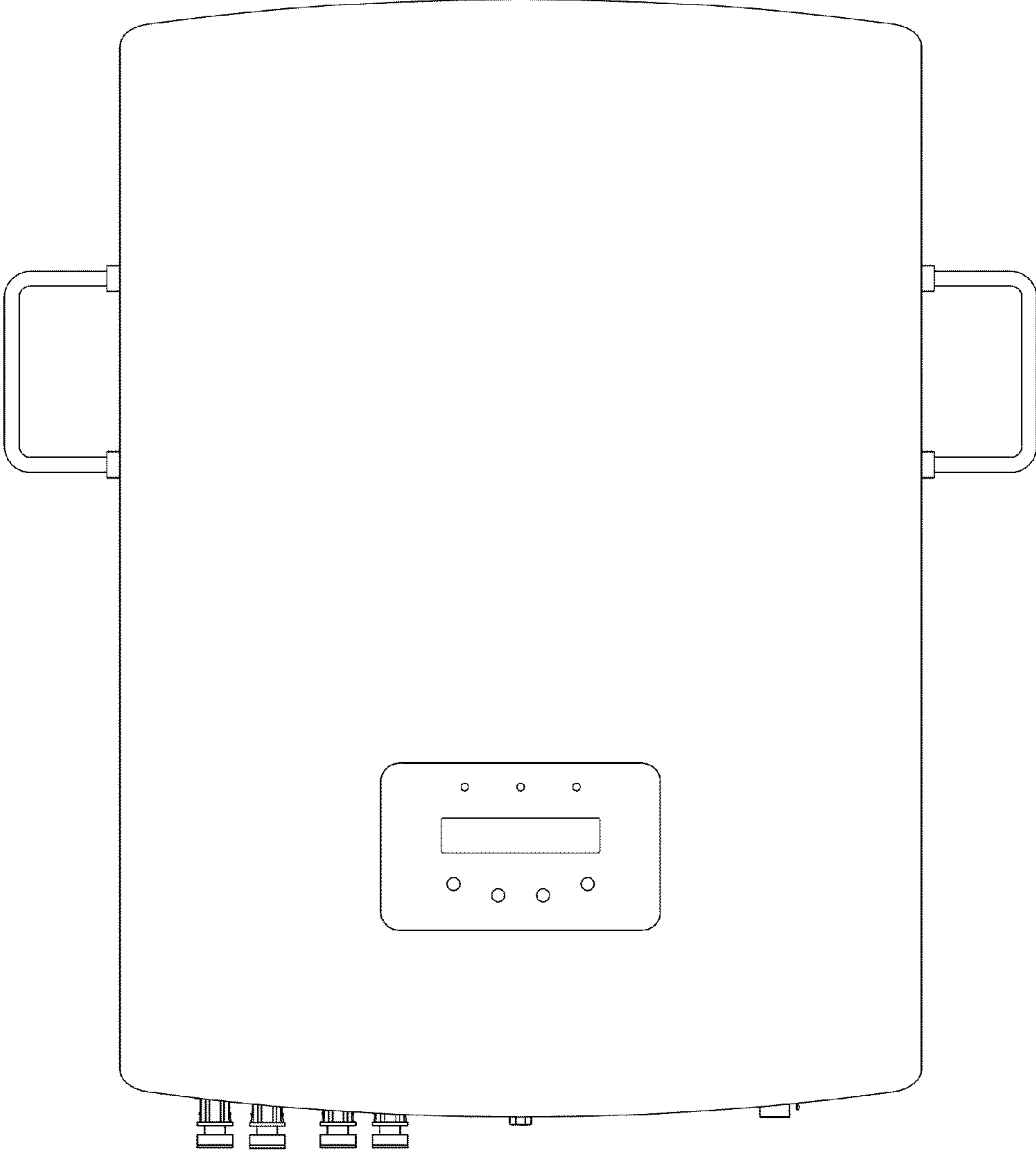


FIG. 1

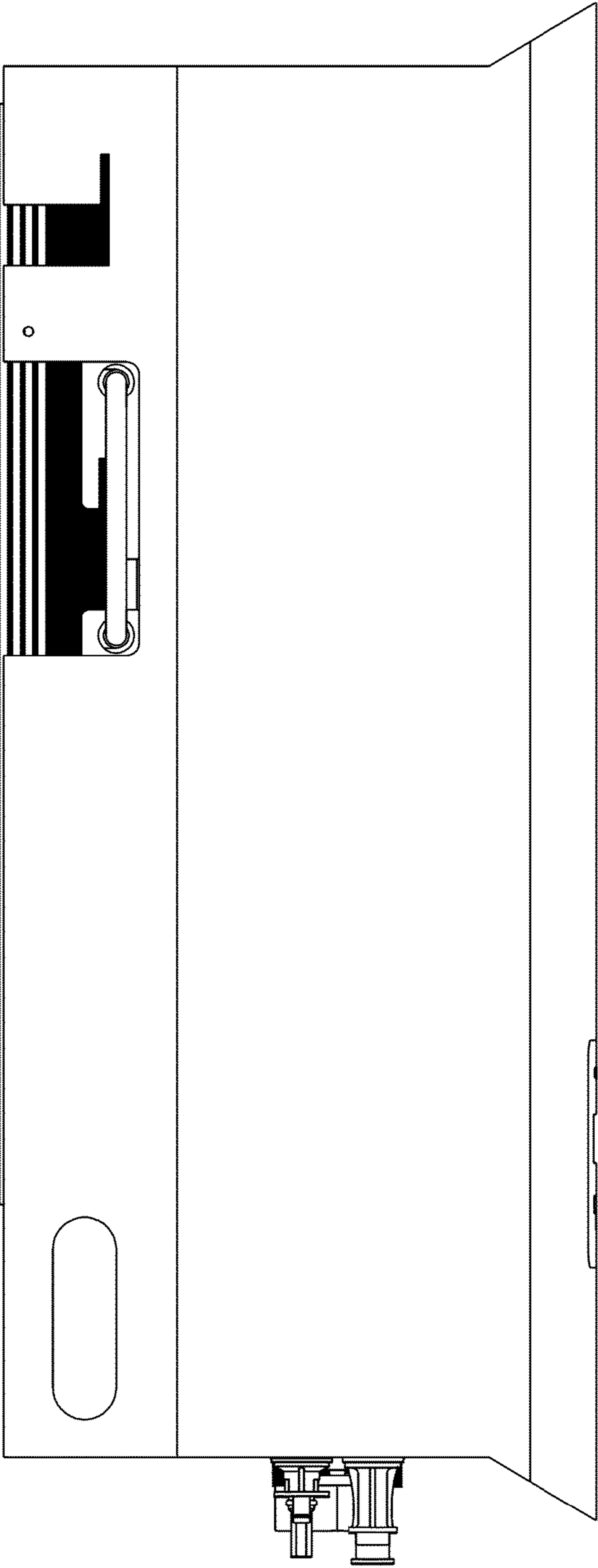


FIG. 2

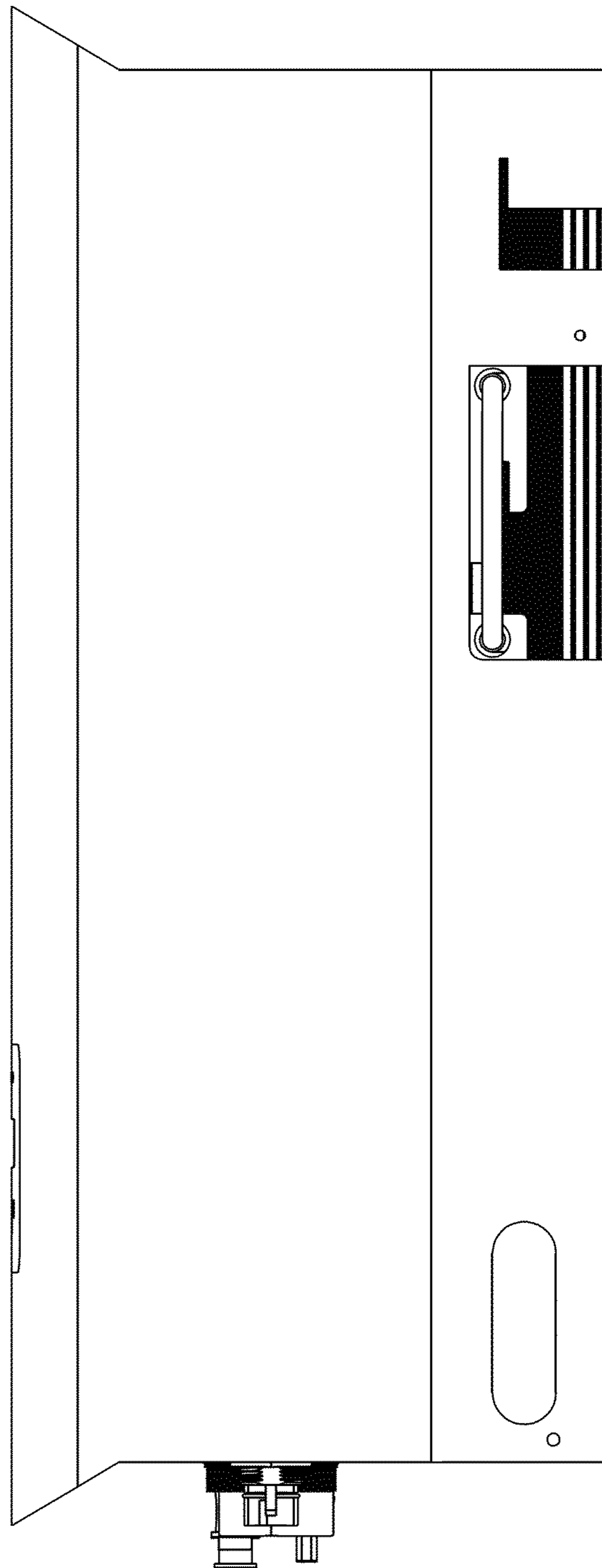


FIG. 3

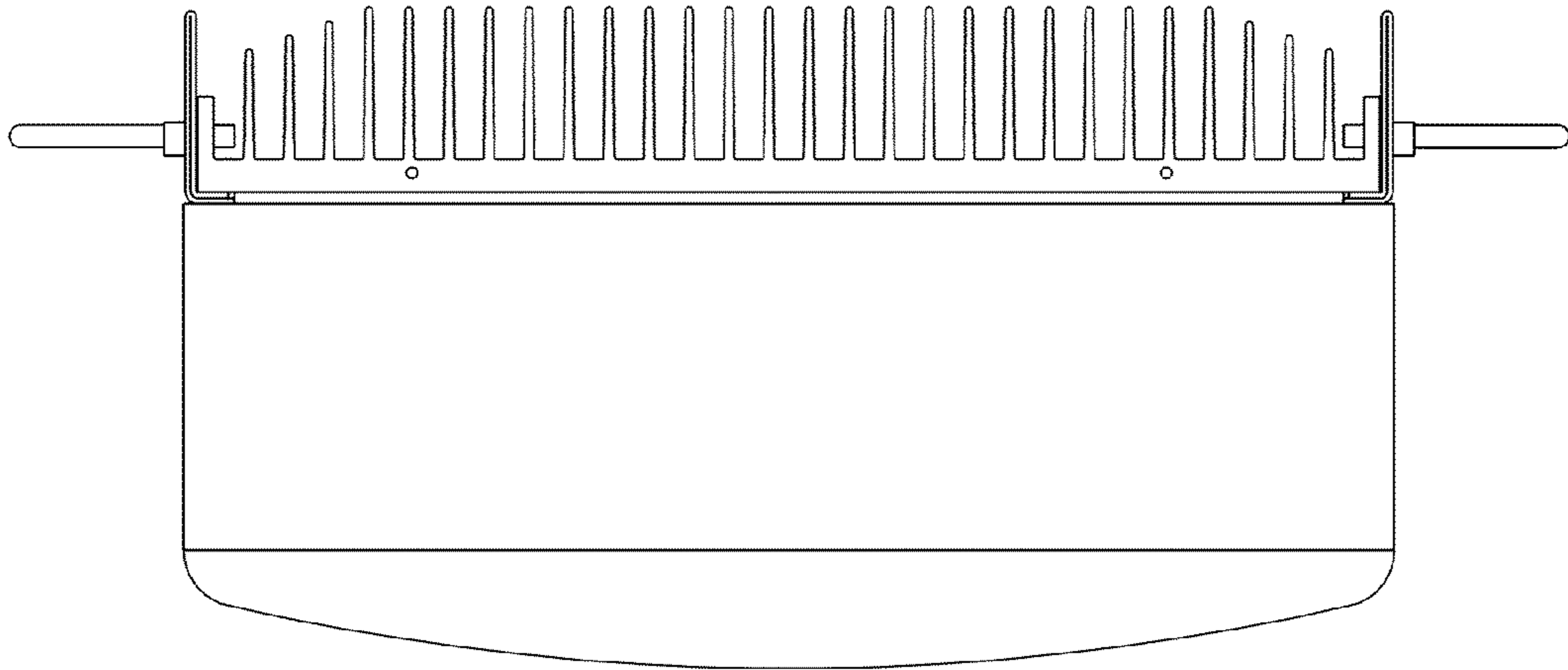


FIG. 4

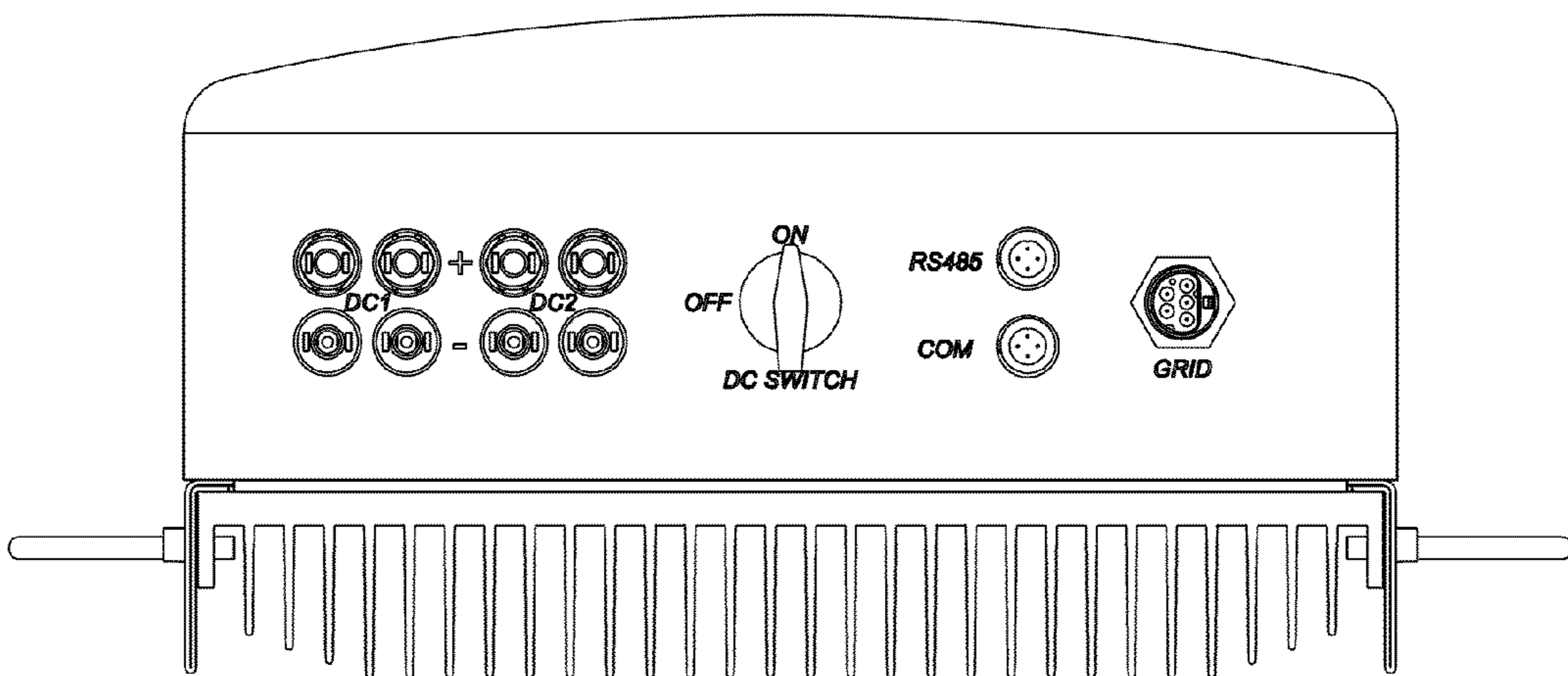


FIG. 5

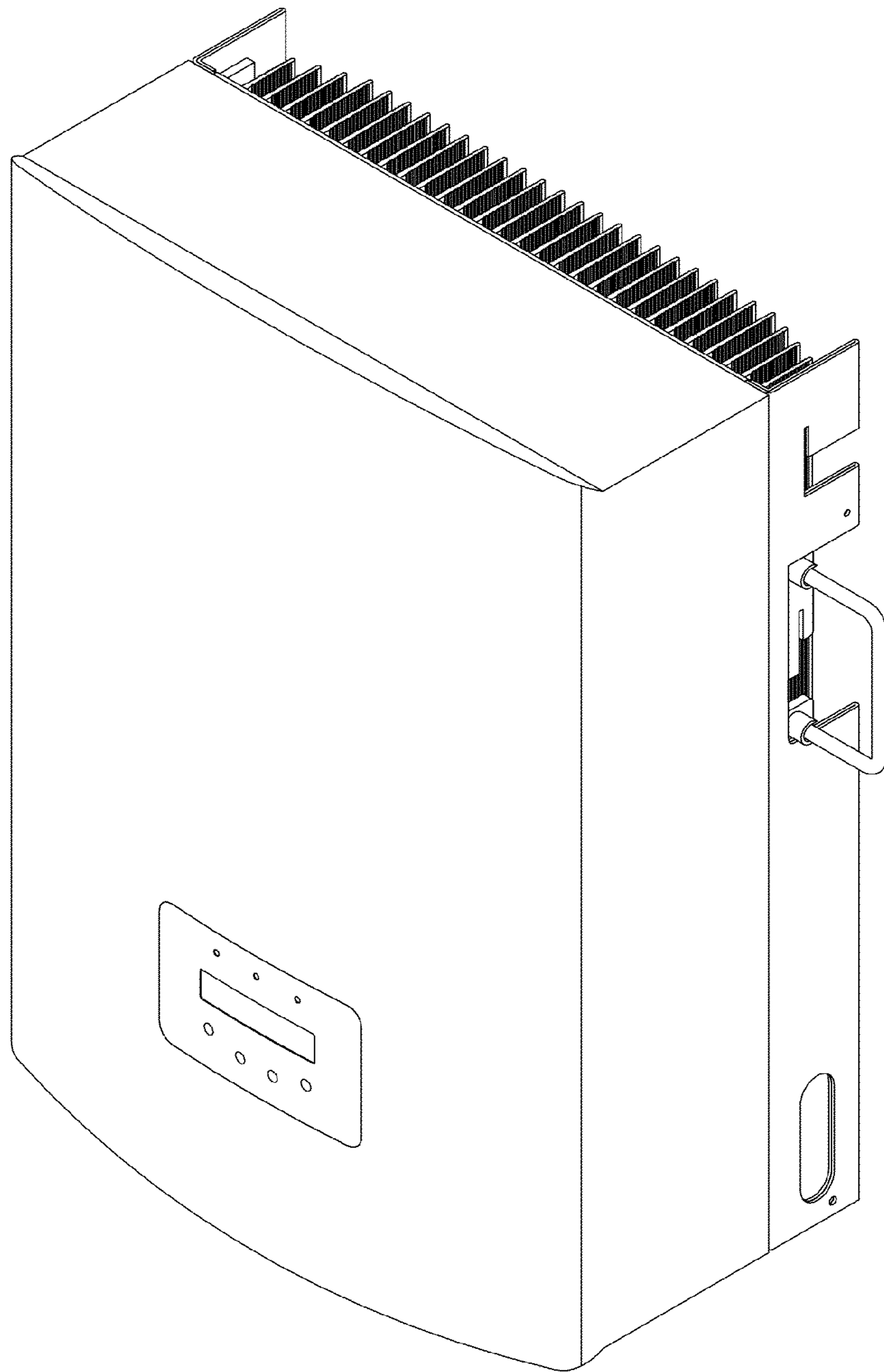


FIG. 6

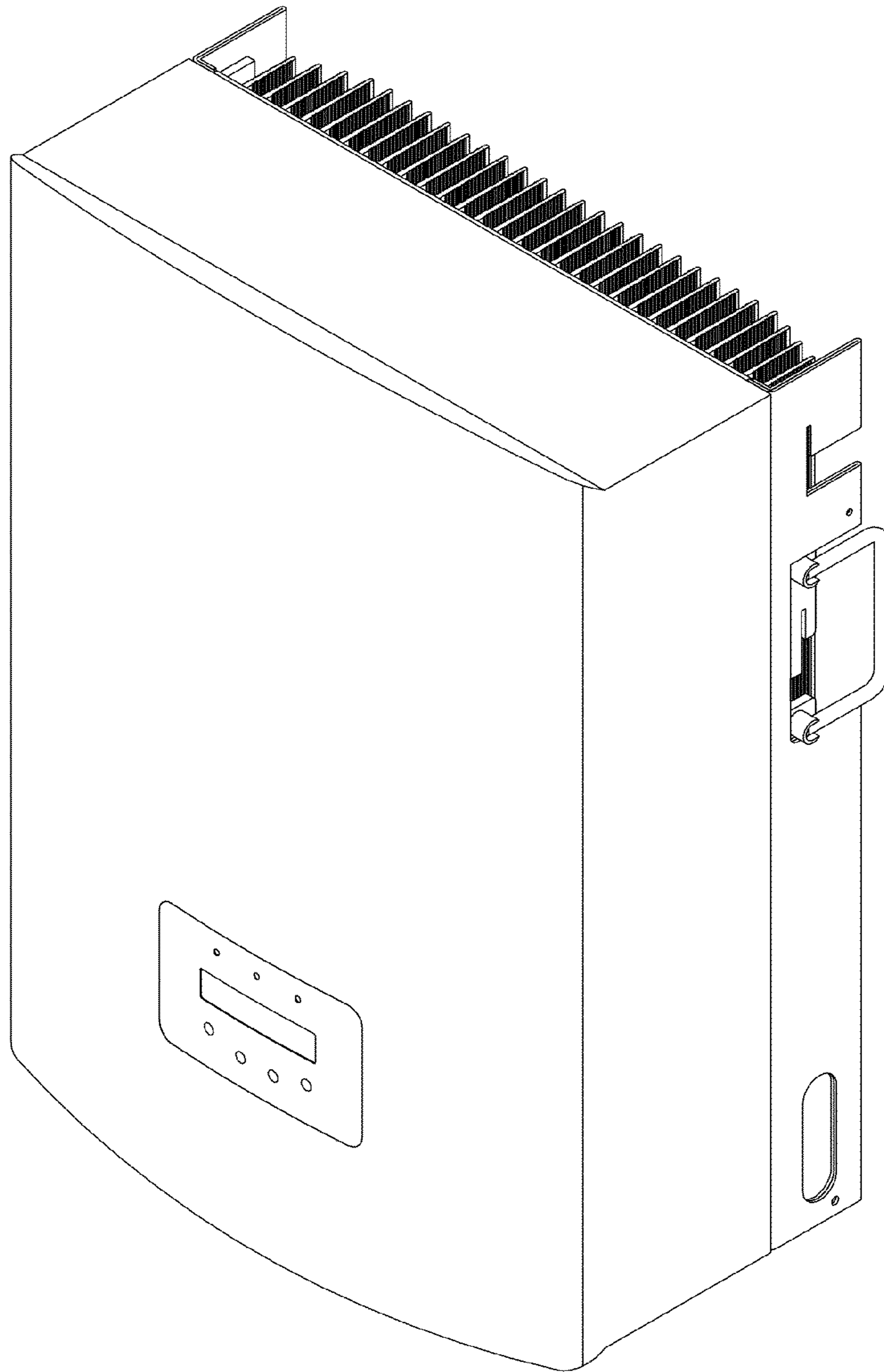


FIG. 7

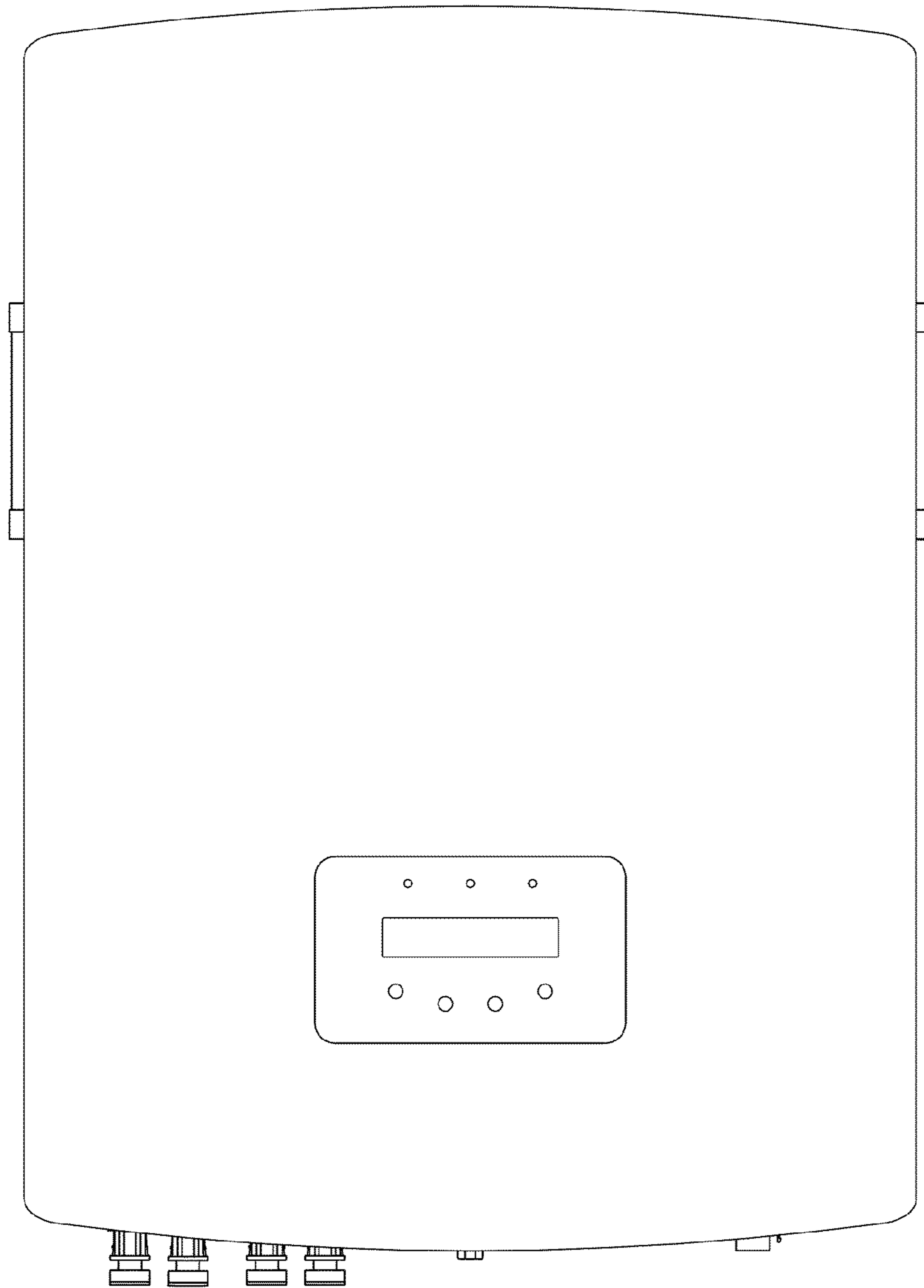


FIG. 8