



US00D724524S

(12) **United States Design Patent**
Garrett-Schesch

(10) **Patent No.:** **US D724,524 S**
(45) **Date of Patent:** **** Mar. 17, 2015**

(54) **RACKING STRUCTURE**
(71) Applicant: **Aaron Sean Garrett-Schesch**, Raleigh, NC (US)
(72) Inventor: **Aaron Sean Garrett-Schesch**, Raleigh, NC (US)
(**) Term: **14 Years**
(21) Appl. No.: **29/467,654**
(22) Filed: **Sep. 20, 2013**
(51) **LOC (10) Cl.** **13-02**
(52) **U.S. Cl.**
USPC **D13/102; D6/681.3**
(58) **Field of Classification Search**
CPC A47F 7/08; A47K 1/09; B41F 1/26; G09F 1/10
USPC D6/681.3, 672, 674, 680.2, 680.3, 681, D6/681.1, 702, 335; D13/102, 101, 184, D13/199; D26/113; 126/569, 571, 578, 580, 126/609, 610, 611, 612, 634, 640, 643, 652, 126/658, 680-685, 689, 699; 136/206, 136/243-252, 256, 257, 260, 261; 351/203
See application file for complete search history.

D401,025 S * 11/1998 Williams et al. D32/58
D552,028 S * 10/2007 Huang D13/101
D600,200 S * 9/2009 Dimov et al. D13/102
D680,949 S * 4/2013 Swatek D13/102
D683,304 S * 5/2013 Crider et al. D13/102
D688,621 S * 8/2013 Mozzardi et al. D13/102

(Continued)

OTHER PUBLICATIONS

Solar panels, available May 1, 2012, [online], [site visited Oct. 14, 2014]. Available from internet, <URL: <http://www.uwosh.edu/today/18440/sage-sprouts-new-solar-panels/>>.*

(Continued)

Primary Examiner — Cathron Brooks
Assistant Examiner — Teddy Falloway
(74) *Attorney, Agent, or Firm* — Coats & Bennett, PLLC

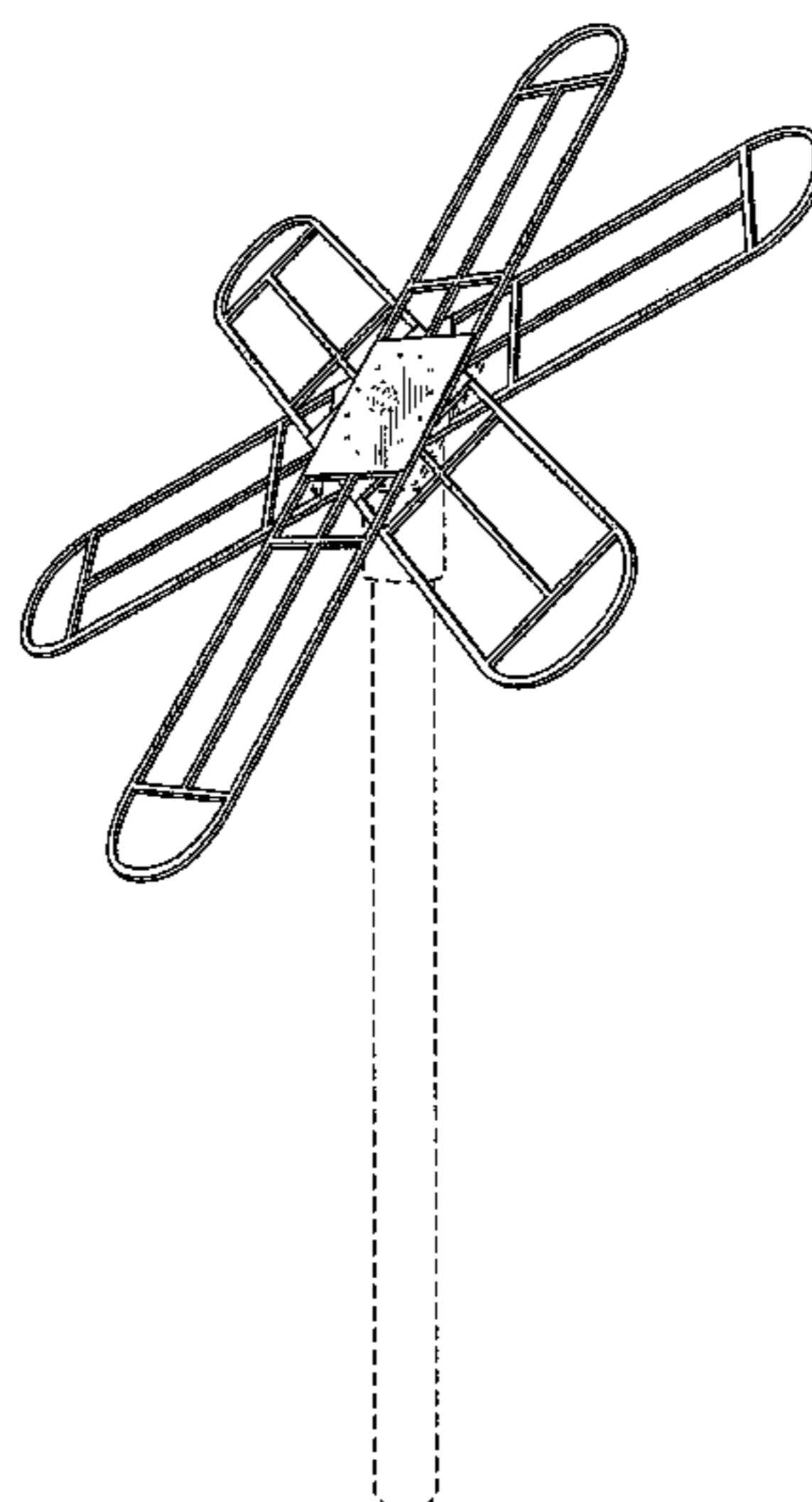
(57) **CLAIM**
The ornamental design for a racking structure, as shown and described.

DESCRIPTION

FIG. 1 is a front perspective view of the racking structure showing my new design;
FIG. 2 is a front elevation view thereof;
FIG. 3 is a front right side perspective view thereof;
FIG. 4 is a front left side perspective view thereof;
FIG. 5 is a right side elevation view thereof;
FIG. 6 is a left side elevation view thereof;
FIG. 7 is a rear perspective view thereof;
FIG. 8 is a rear elevation view thereof;
FIG. 9 is a rear right side perspective view thereof;
FIG. 10 is a rear left side perspective view thereof;
FIG. 11 is a bottom perspective view thereof;
FIG. 12 is a bottom plan view thereof; and,
FIG. 13 is a top plan view thereof.
Throughout the Figures, aspects shown in broken lines are included for the purpose of illustrating environmental structure and are not a part of claimed design.

1 Claim, 13 Drawing Sheets

(56) **References Cited**
U.S. PATENT DOCUMENTS
29,870 A * 9/1860 Fickett 211/203
127,702 A * 6/1872 Nash 101/407.1
357,057 A * 2/1887 Altman et al. 211/66
D27,228 S * 6/1897 Heimann D6/458
D50,670 S * 4/1917 Vajda D6/417
1,616,097 A * 2/1927 Wallace 211/166
1,713,673 A * 5/1929 Nelson 248/173
1,839,607 A * 1/1932 Slauson 211/168
D134,110 S * 10/1942 Bersin et al. D6/458
2,419,249 A * 4/1947 Bridges 211/117
D204,435 S * 4/1966 Bayside et al. D6/410
D233,142 S * 10/1974 Sill D12/115
5,044,507 A * 9/1991 Shulyak 211/203
D372,156 S * 7/1996 Botsford D6/548



(56)

References Cited

U.S. PATENT DOCUMENTS

D701,828 S * 4/2014 Garrett-Schesch D13/102
D701,829 S * 4/2014 Garrett-Schesch D13/102
D706,026 S * 6/2014 Akin et al. D3/5
2005/0247836 A1* 11/2005 Park 248/214
2006/0086681 A1* 4/2006 Buechin 211/85.31
2007/0215567 A1* 9/2007 Cavell 211/113

OTHER PUBLICATIONS

Solar photovoltaic and thermal applications, available Mar. 17, 2013, [online], [site visited Oct. 14, 2014]. Available from internet, <URL: <https://www.indiegogo.com/projects/mpower-people-with-lotus-mobile>>.*

* cited by examiner

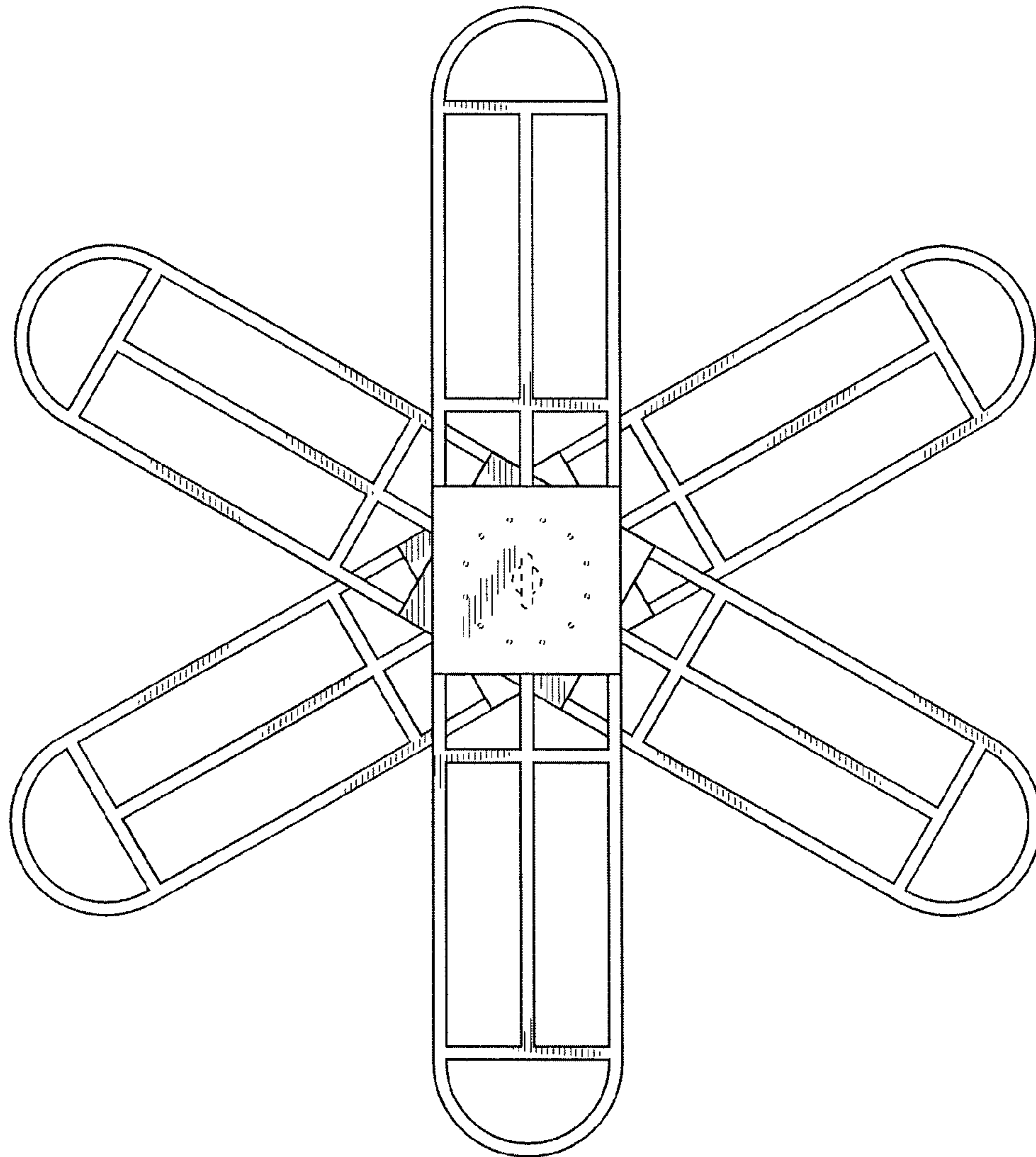


FIG. 1

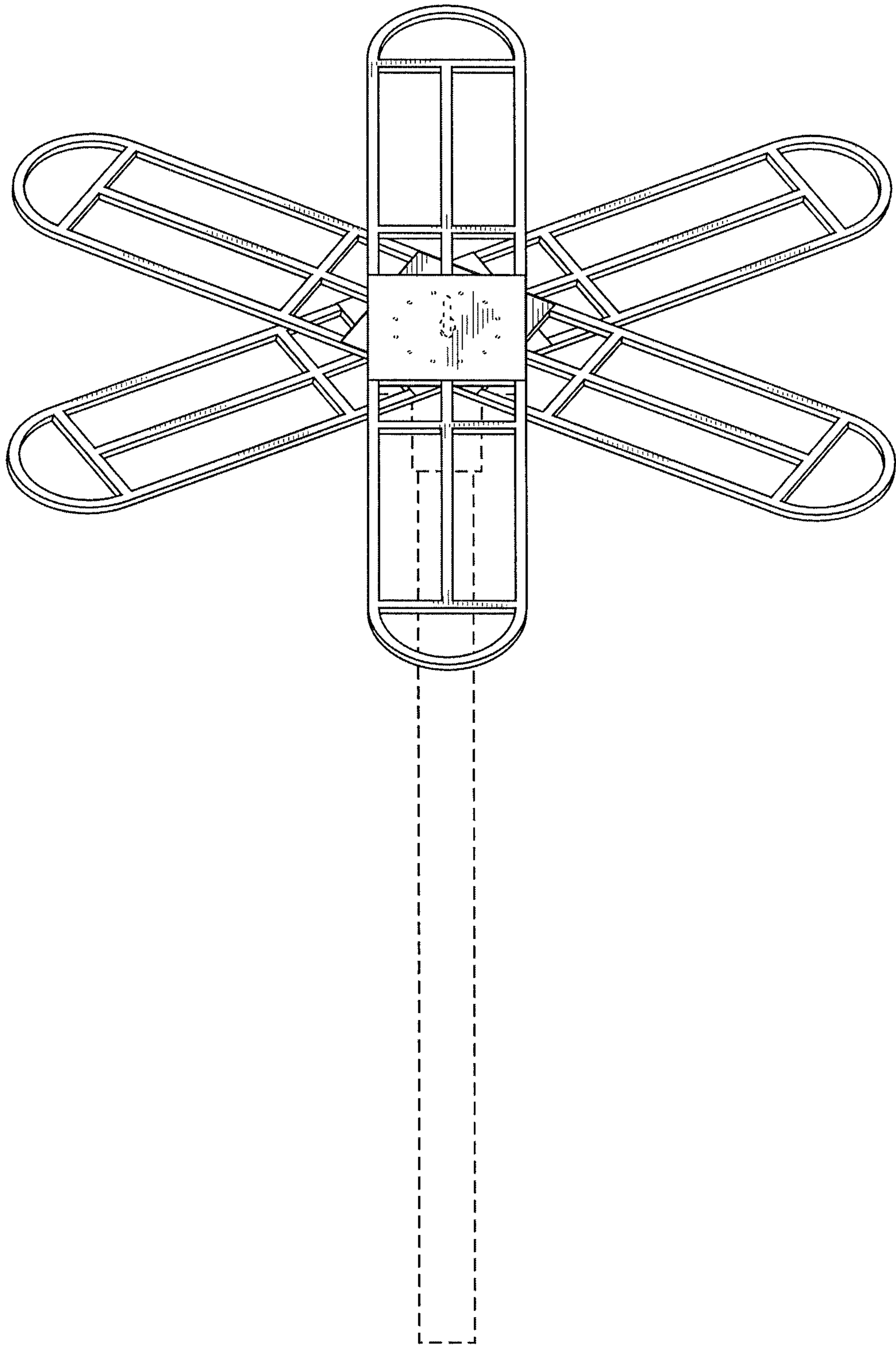


FIG. 2

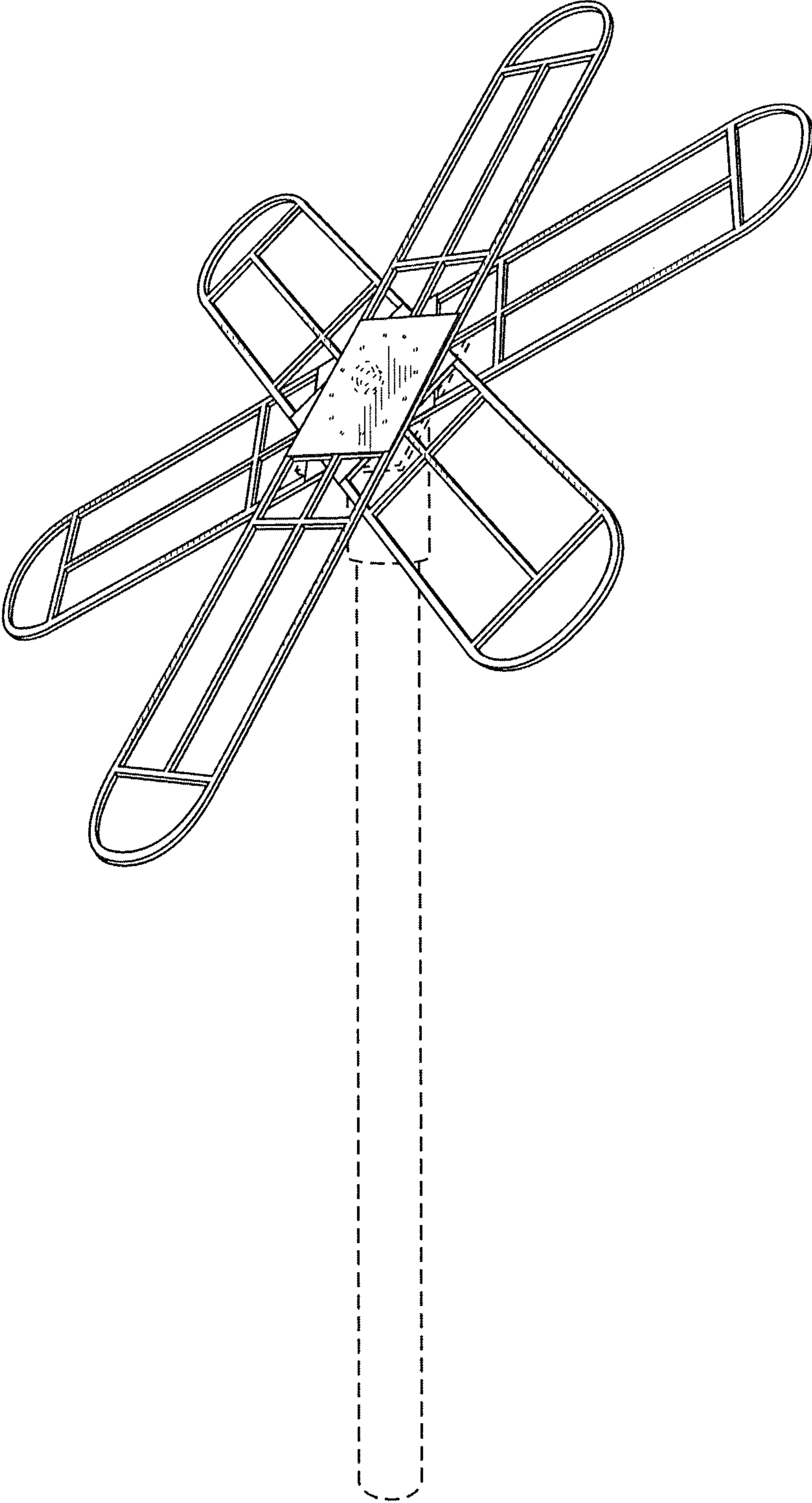


FIG. 3

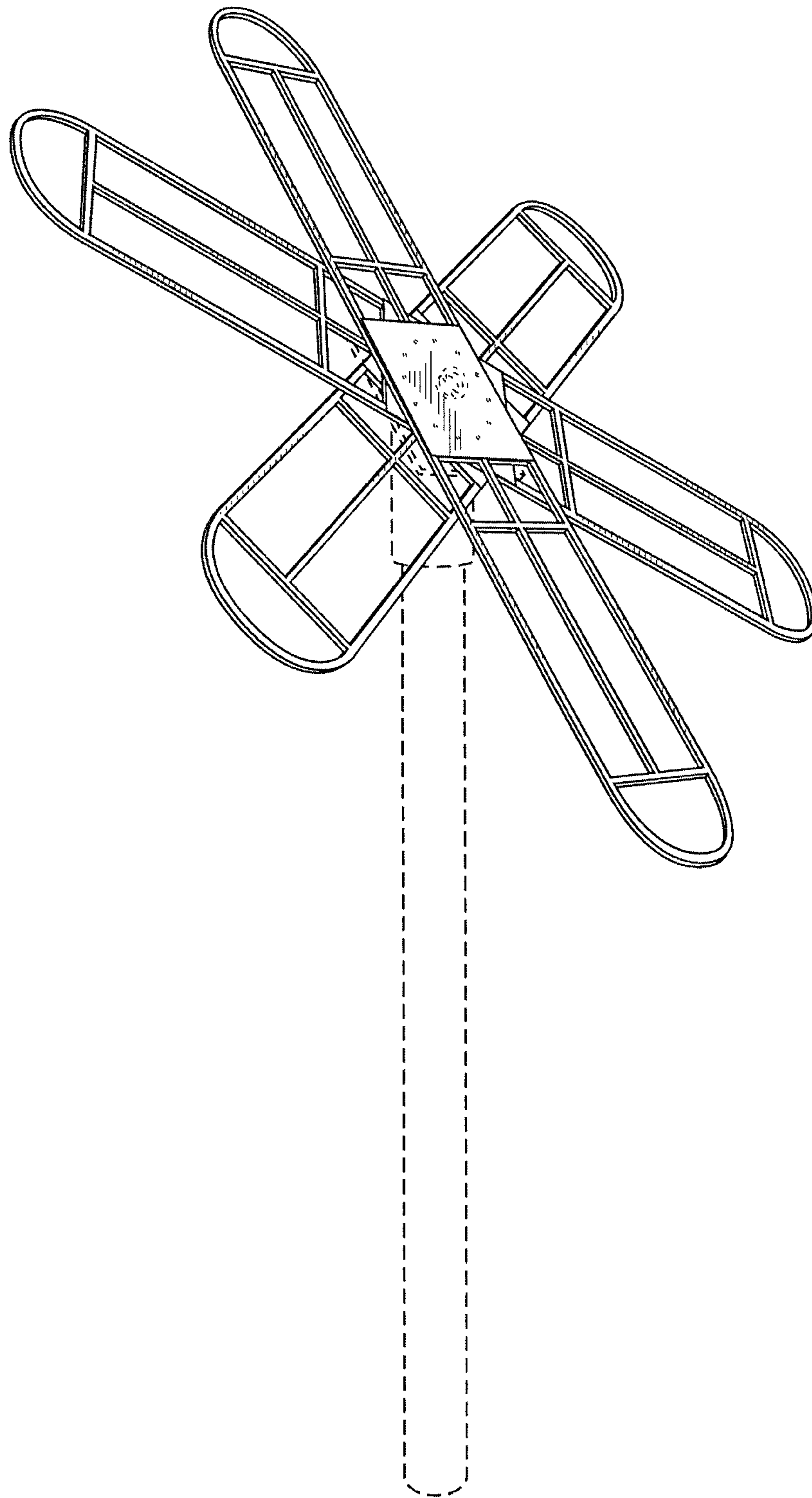


FIG. 4

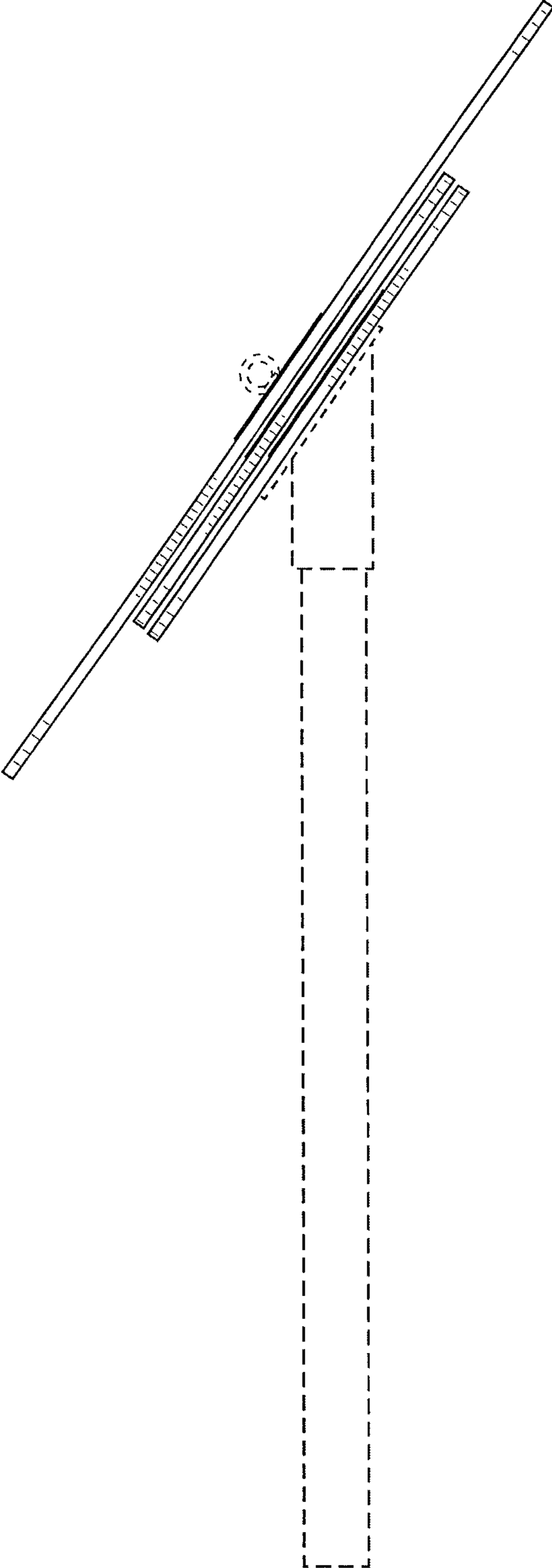


FIG. 5

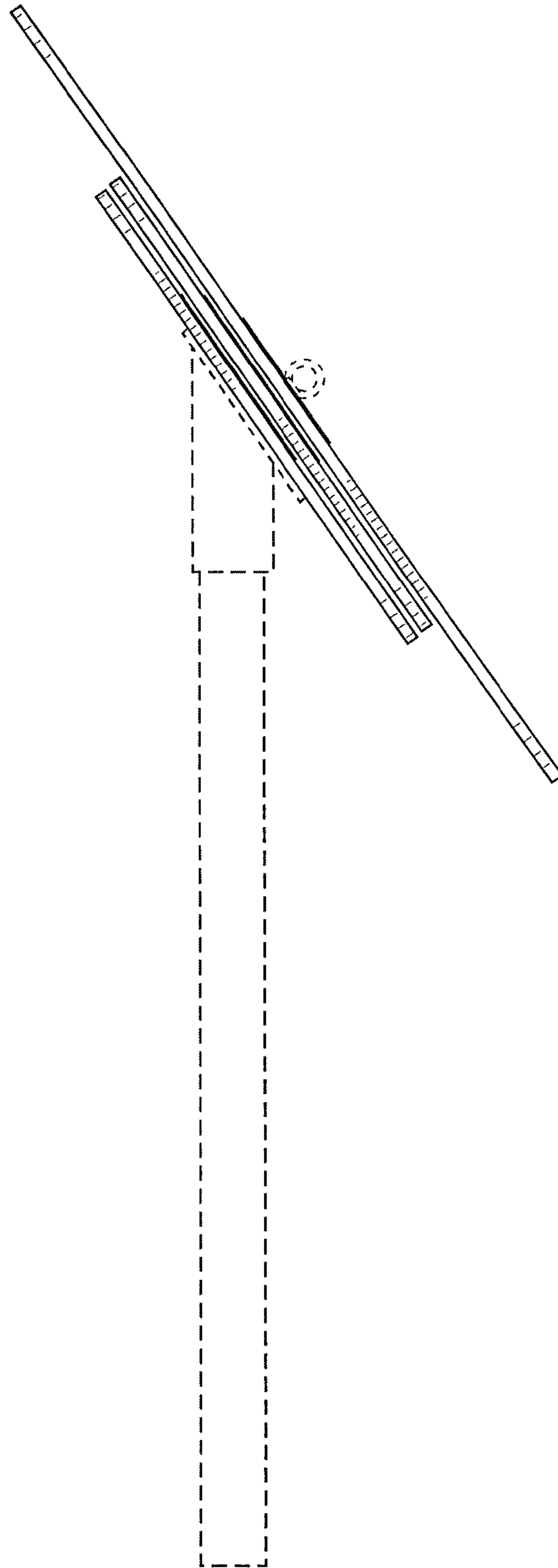


FIG. 6

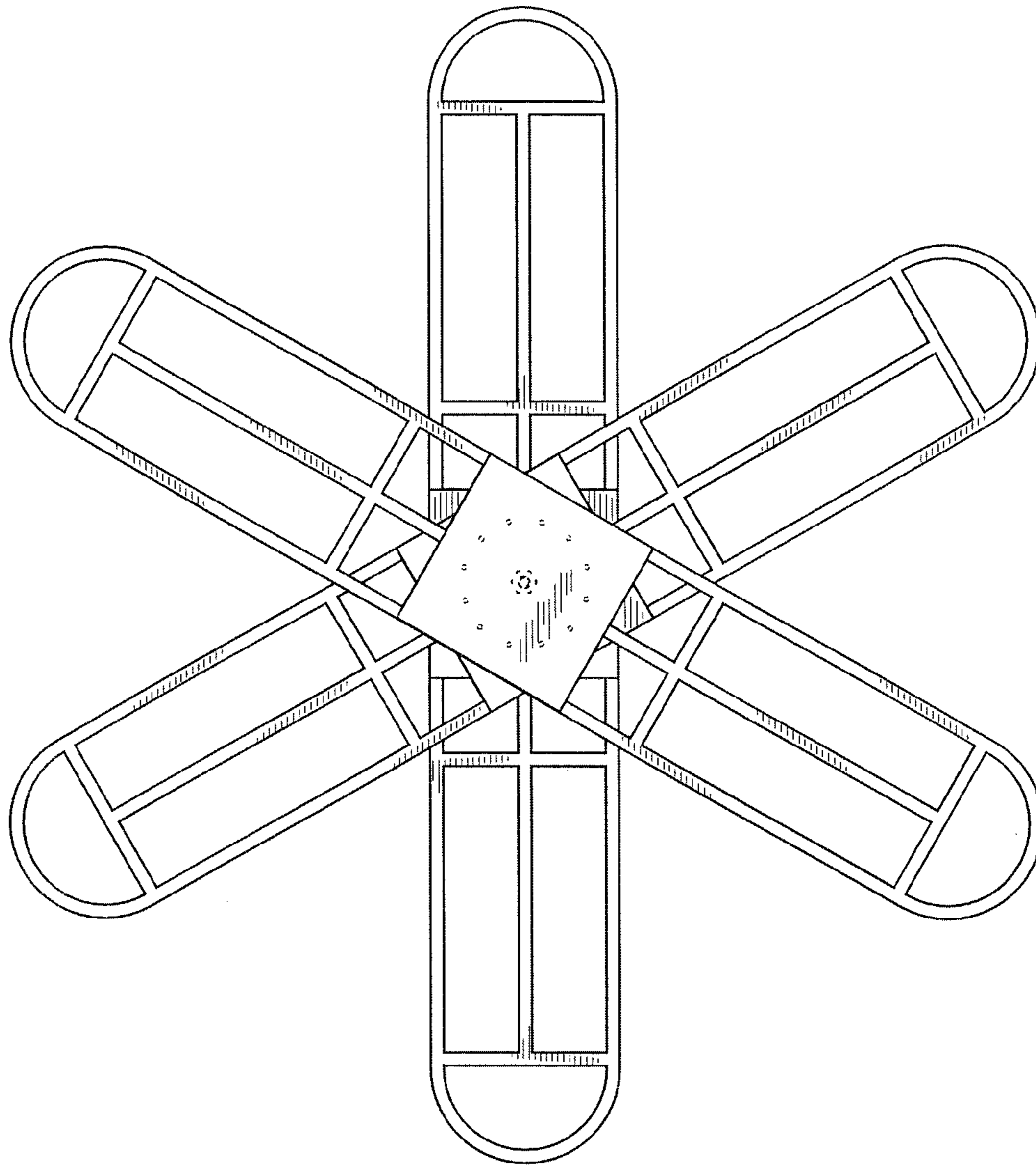


FIG. 7

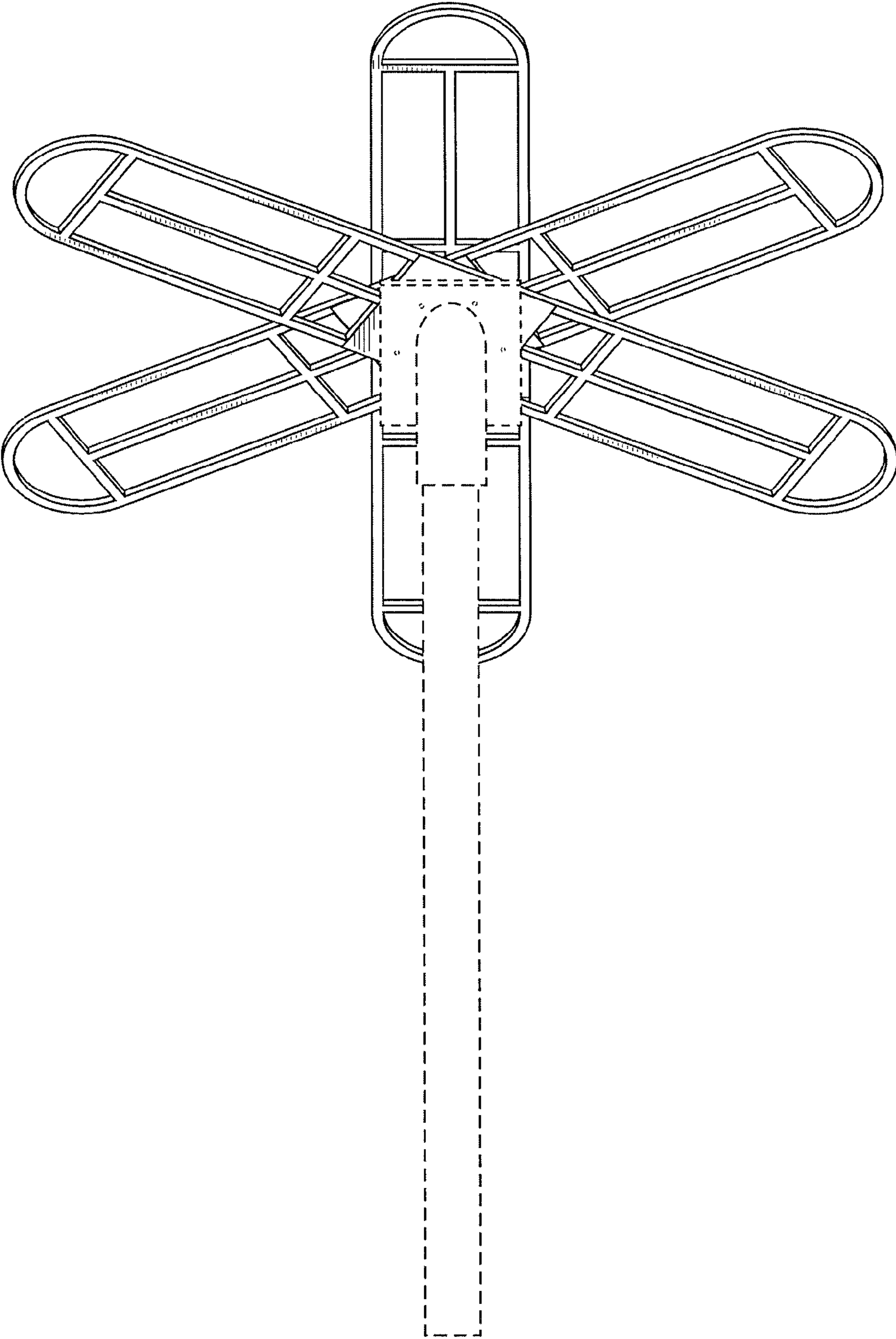


FIG. 8

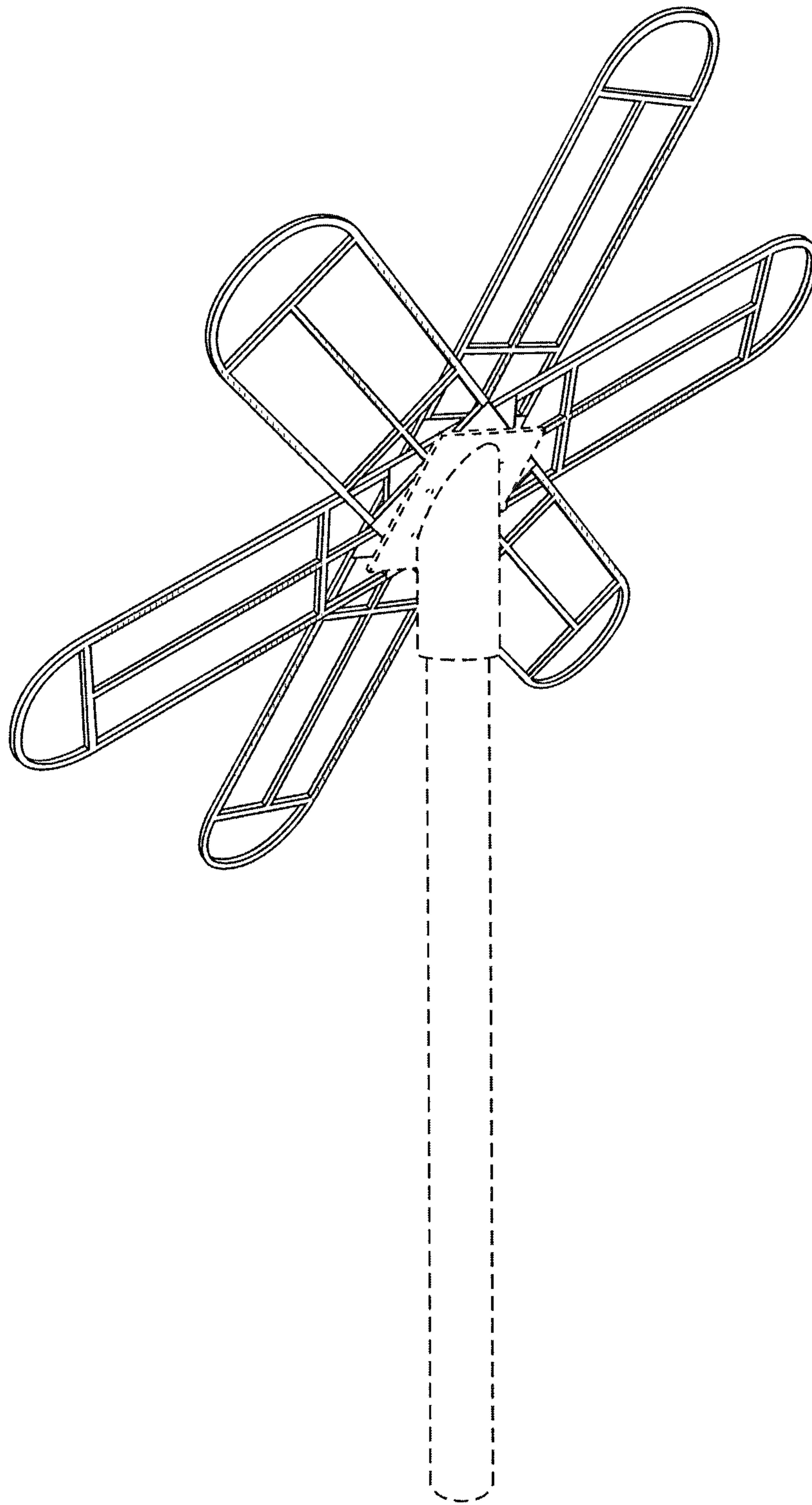


FIG. 9

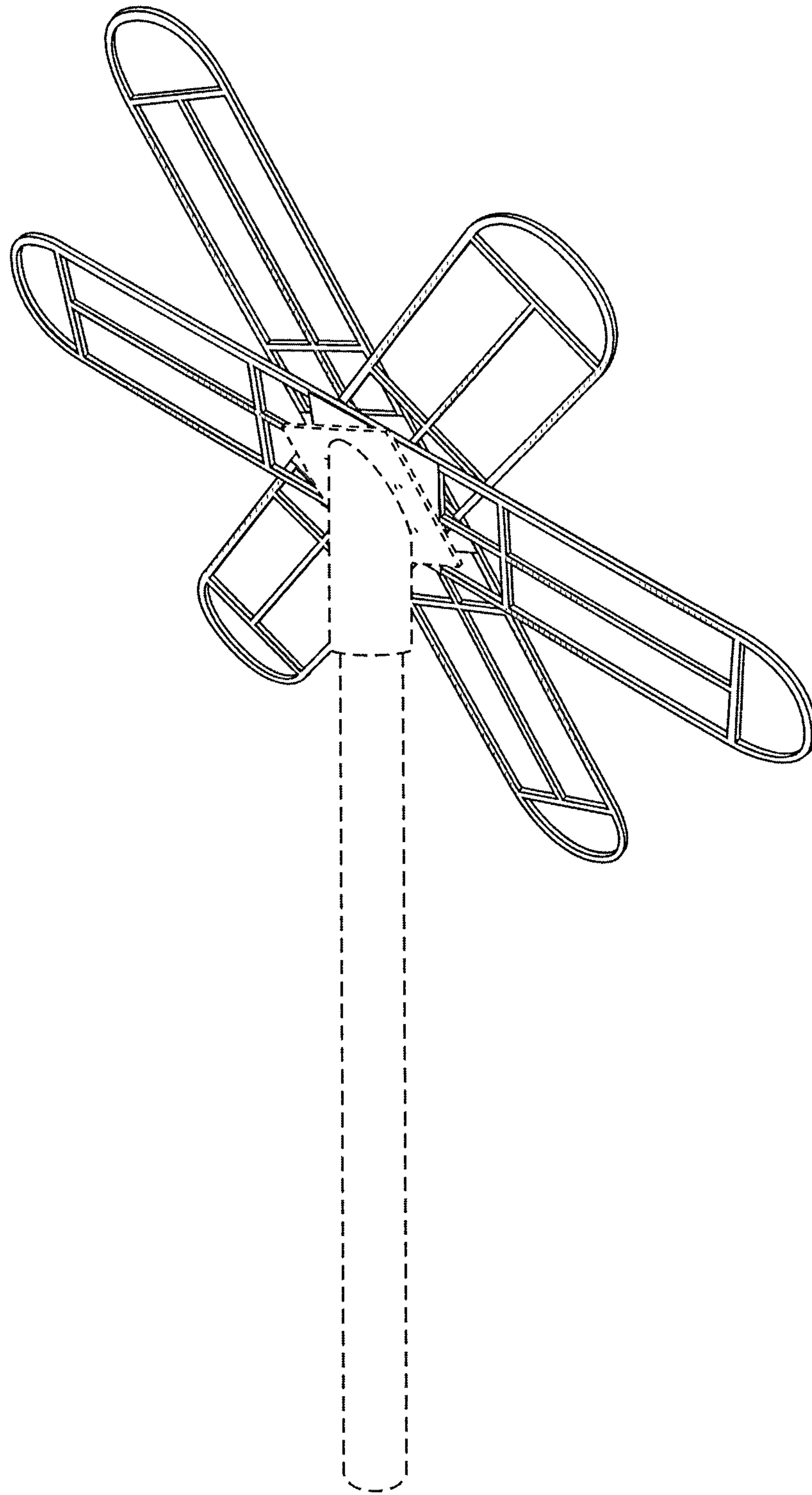


FIG. 10

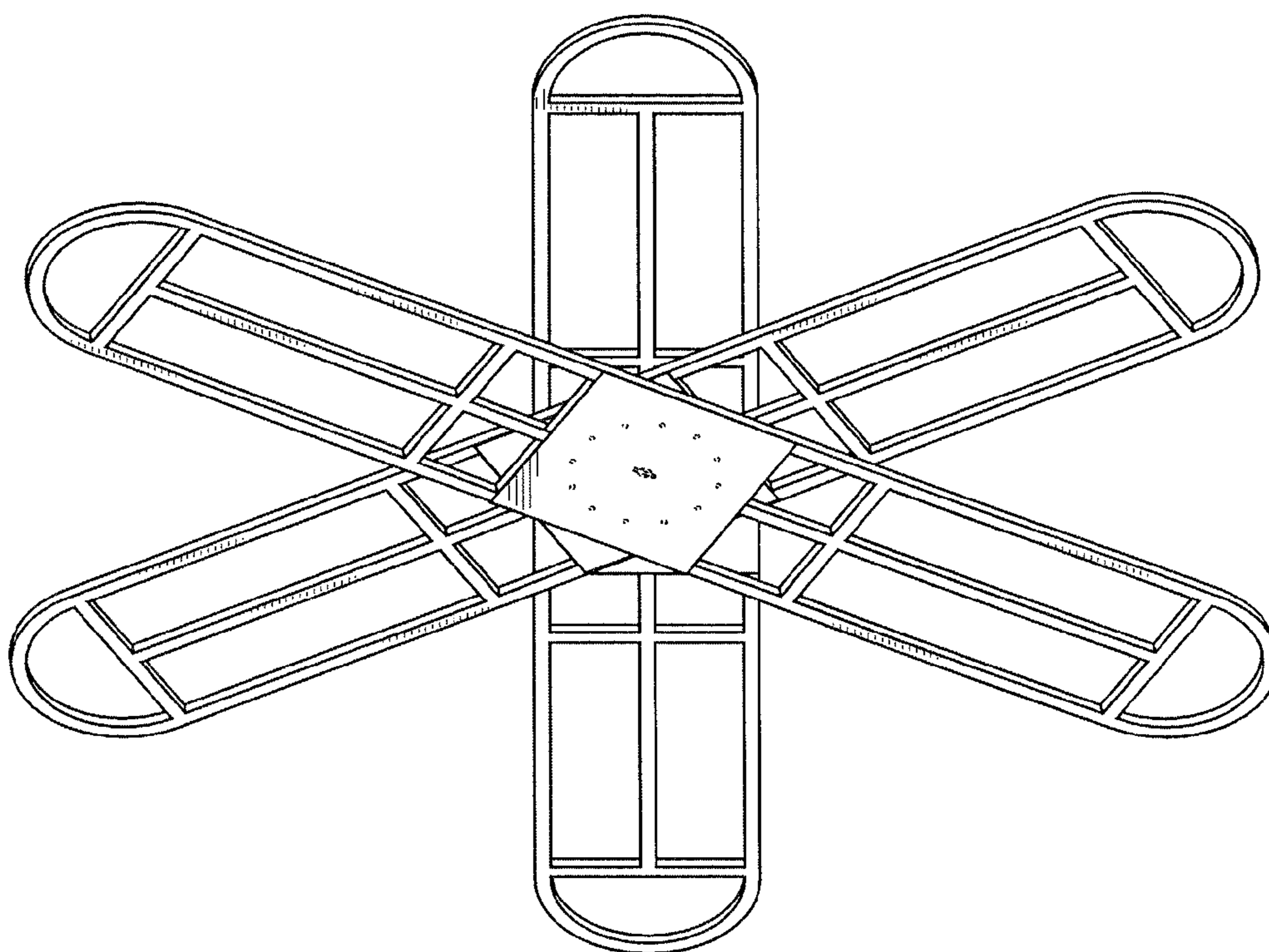


FIG. 11

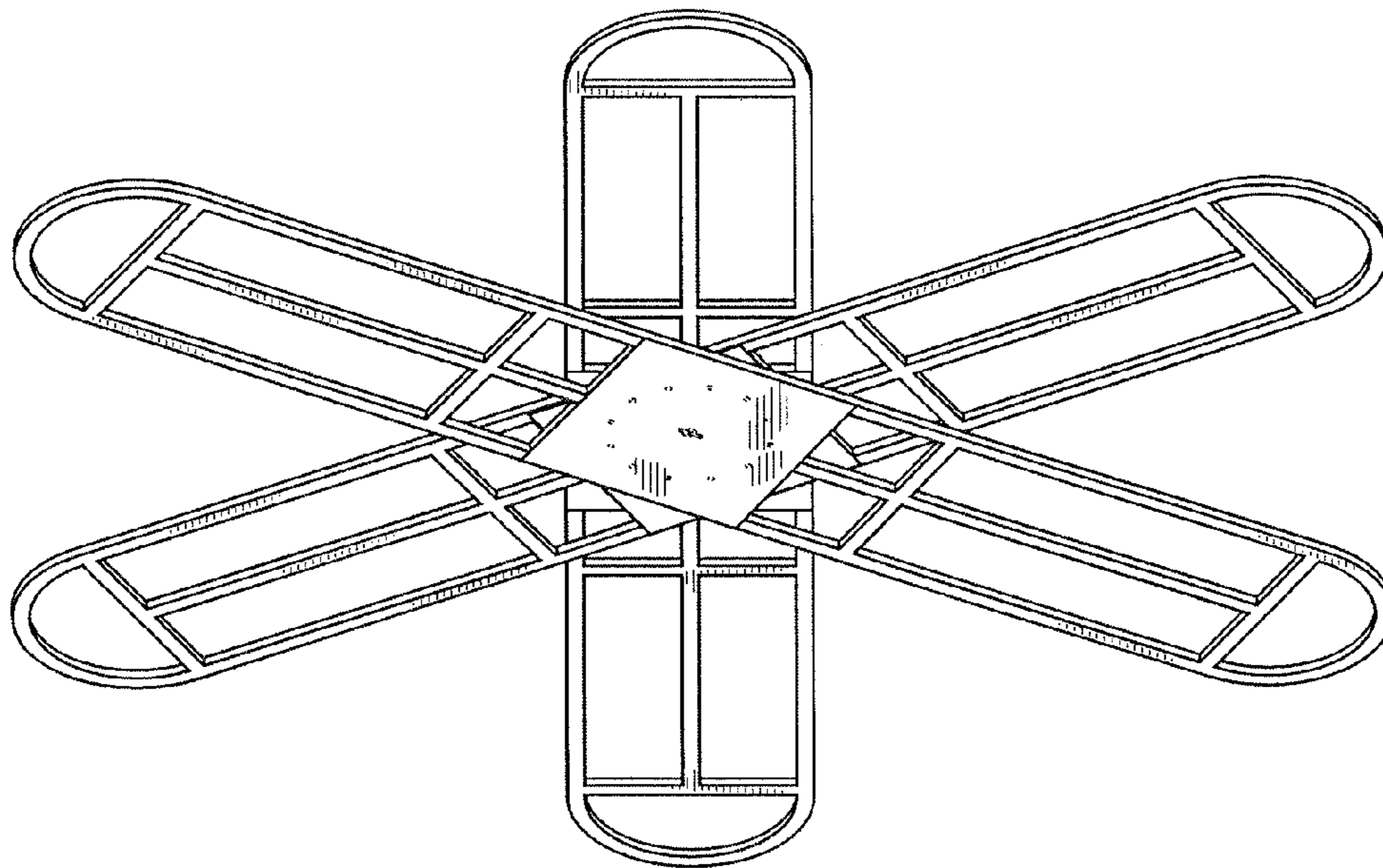


FIG. 12

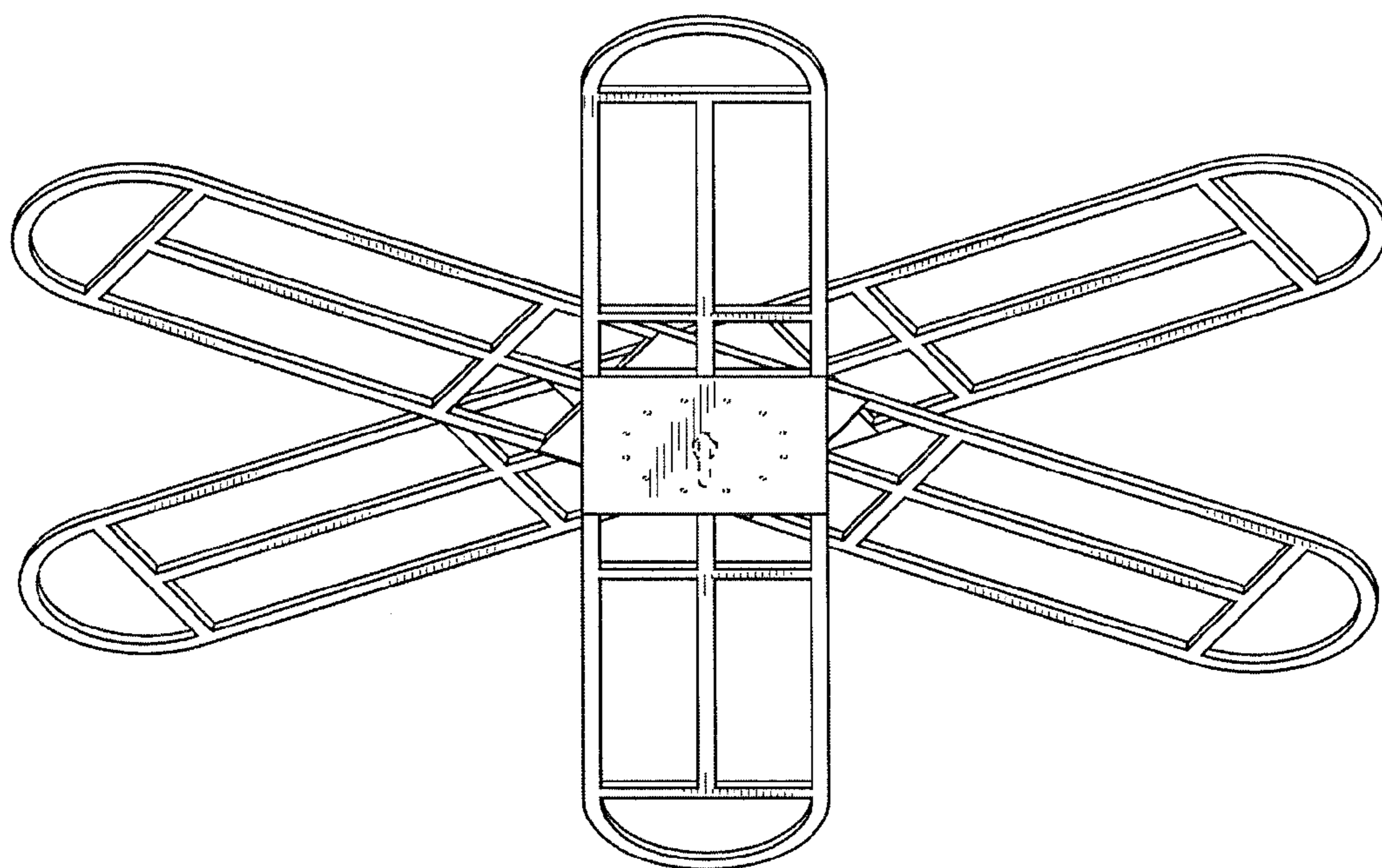


FIG. 13