

US00D724521S

(12) **United States Design Patent**  
**Ashley et al.**

(10) **Patent No.:** **US D724,521 S**  
(45) **Date of Patent:** **\*\* Mar. 17, 2015**

(54) **CAR CONSOLE**

(71) Applicant: **TMI Products, Inc.**, Corona, CA (US)

(72) Inventors: **Larry Wayne Ashley**, Ontario, CA (US); **Dean Royce Satterfield**, Ontario, CA (US)

(\*\*) Term: **14 Years**

(21) Appl. No.: **29/463,648**

(22) Filed: **Jan. 29, 2014**

(51) **LOC (10) Cl.** ..... **12-16**

(52) **U.S. Cl.**  
USPC ..... **D12/419**

(58) **Field of Classification Search**  
USPC ..... D12/419, 416, 417, 418, 415, 420;  
D21/421; D7/619.1-625, 701;  
296/37.1, 37.8, 37.13-37.16, 36;  
22/539; 224/404; 297/411.26, 411.23  
See application file for complete search history.

(56) **References Cited**

U.S. PATENT DOCUMENTS

D359,266 S *	6/1995	Karp et al. ....	D12/419
D448,720 S *	10/2001	Nash et al. ....	D12/419
D538,737 S *	3/2007	Scully .....	D12/421
D568,232 S *	5/2008	Motozaki et al. ....	D12/421
D571,280 S *	6/2008	Nakajima et al. ....	D12/415
D624,869 S *	10/2010	Corradi .....	D12/415

\* cited by examiner

*Primary Examiner* — Katrina A Betton

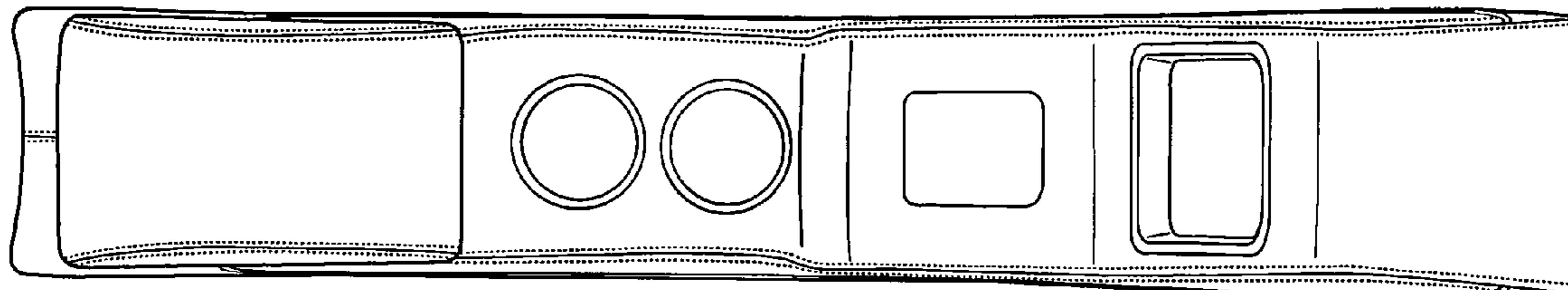
(57) **CLAIM**

We claim the ornamental design for a car console, as shown and described.

**DESCRIPTION**

FIG. 1 depicts a perspective three quarter front elevational view of a car console, according to the invention.  
FIG. 2 depicts a top plan view thereof;  
FIG. 3 depicts a left side elevational view thereof;  
FIG. 4 depicts a right side elevational view thereof;  
FIG. 5 depicts a front elevational view thereof; and  
FIG. 6 depicts a rear elevational view thereof; and  
FIG. 7 depicts a perspective three quarter elevational view with compartment lid open.

**1 Claim, 7 Drawing Sheets**



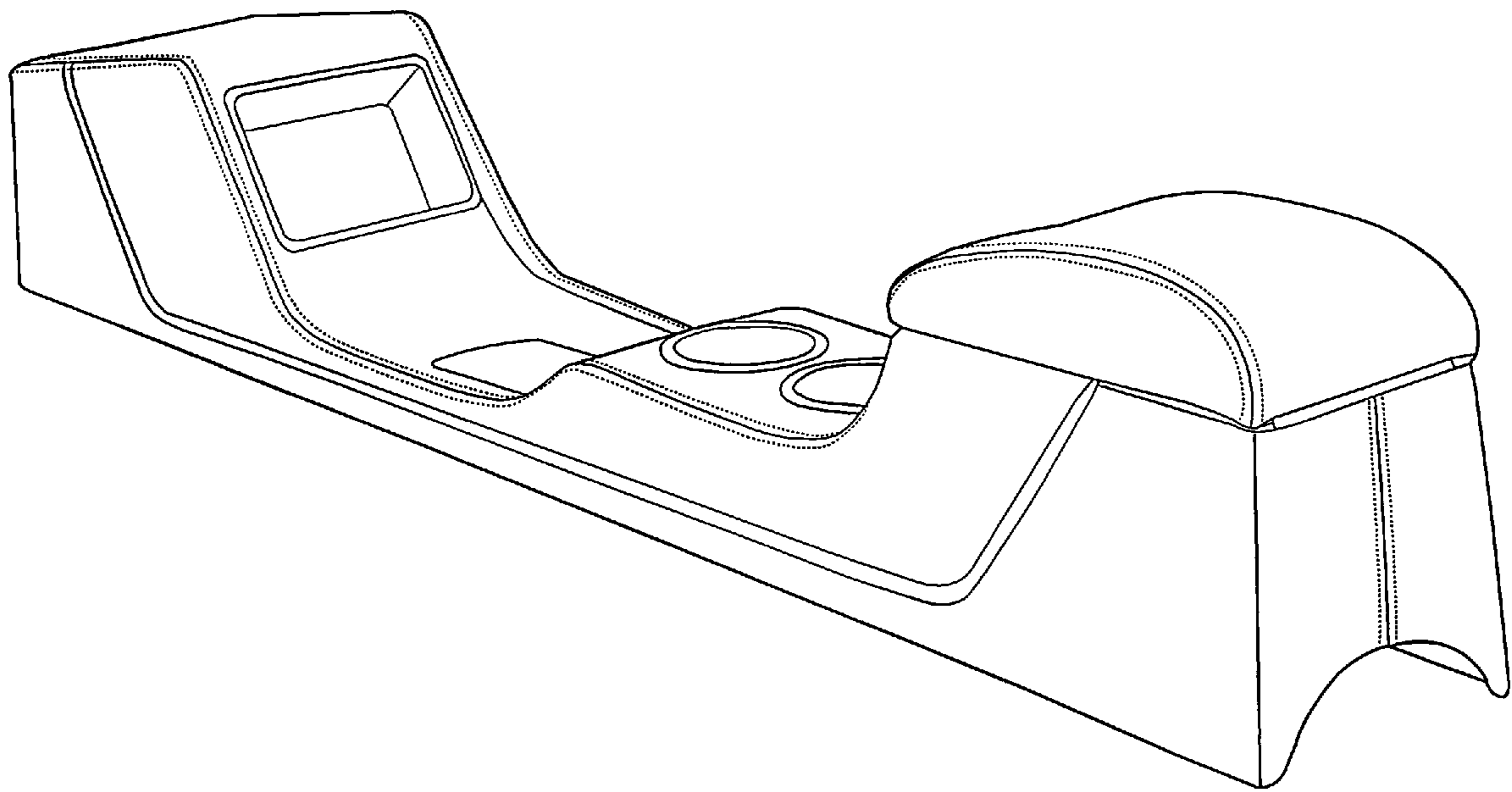


FIG. 1

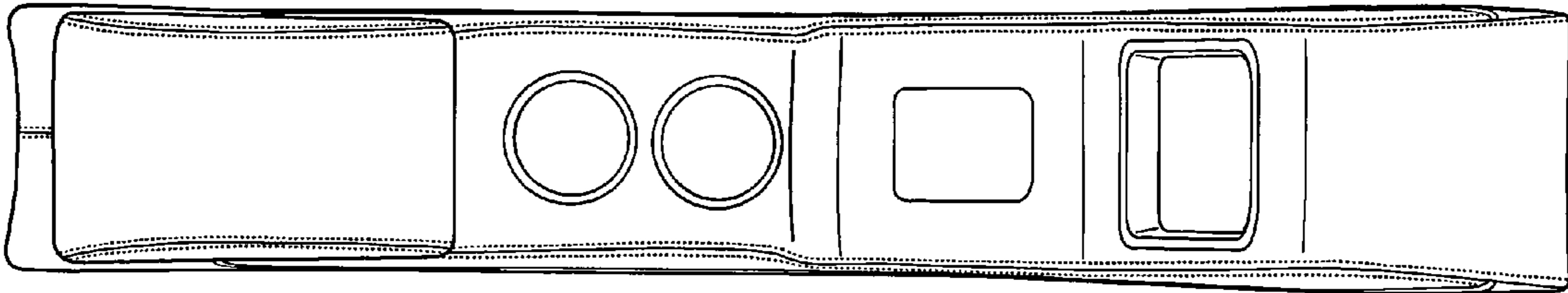


FIG. 2

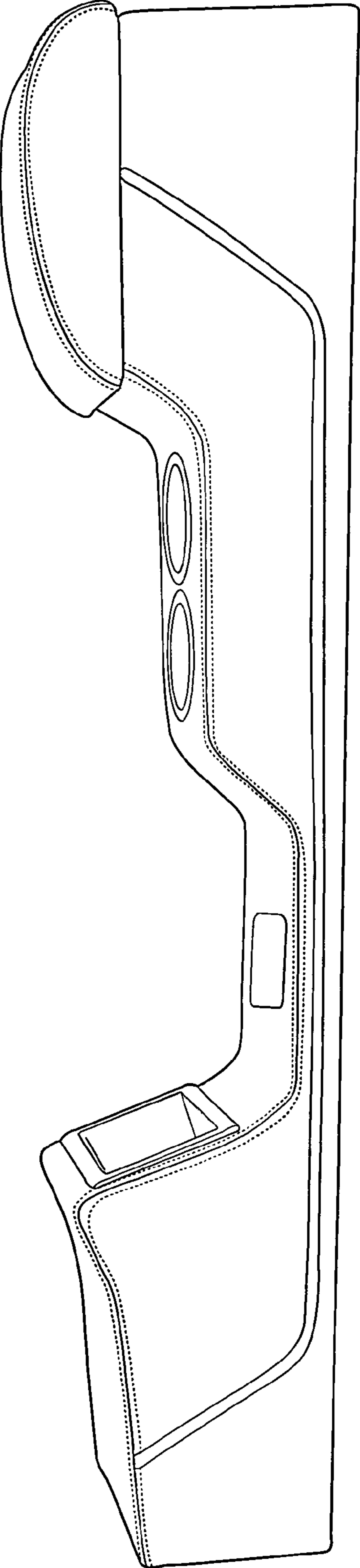


FIG. 3

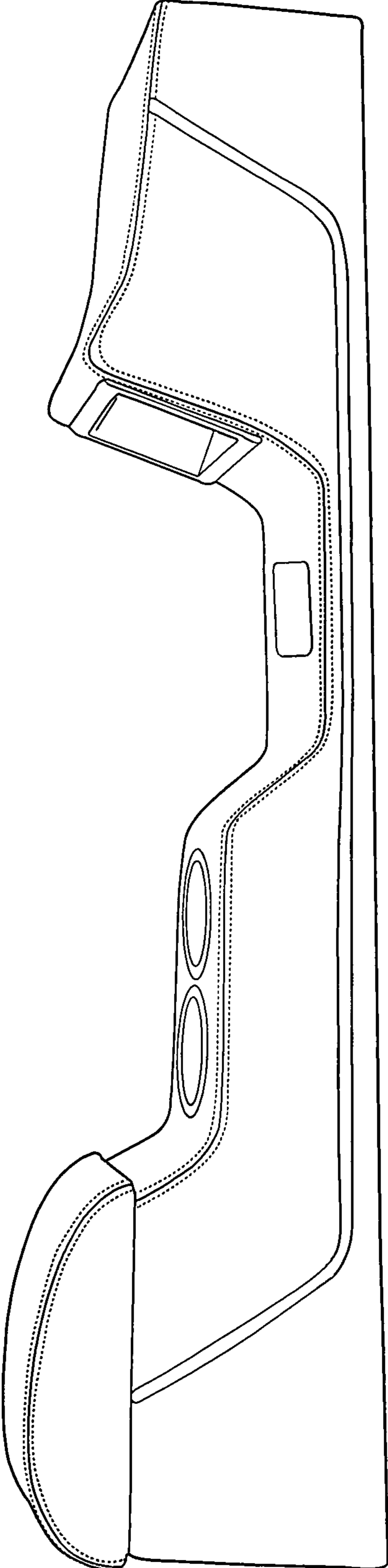


FIG. 4

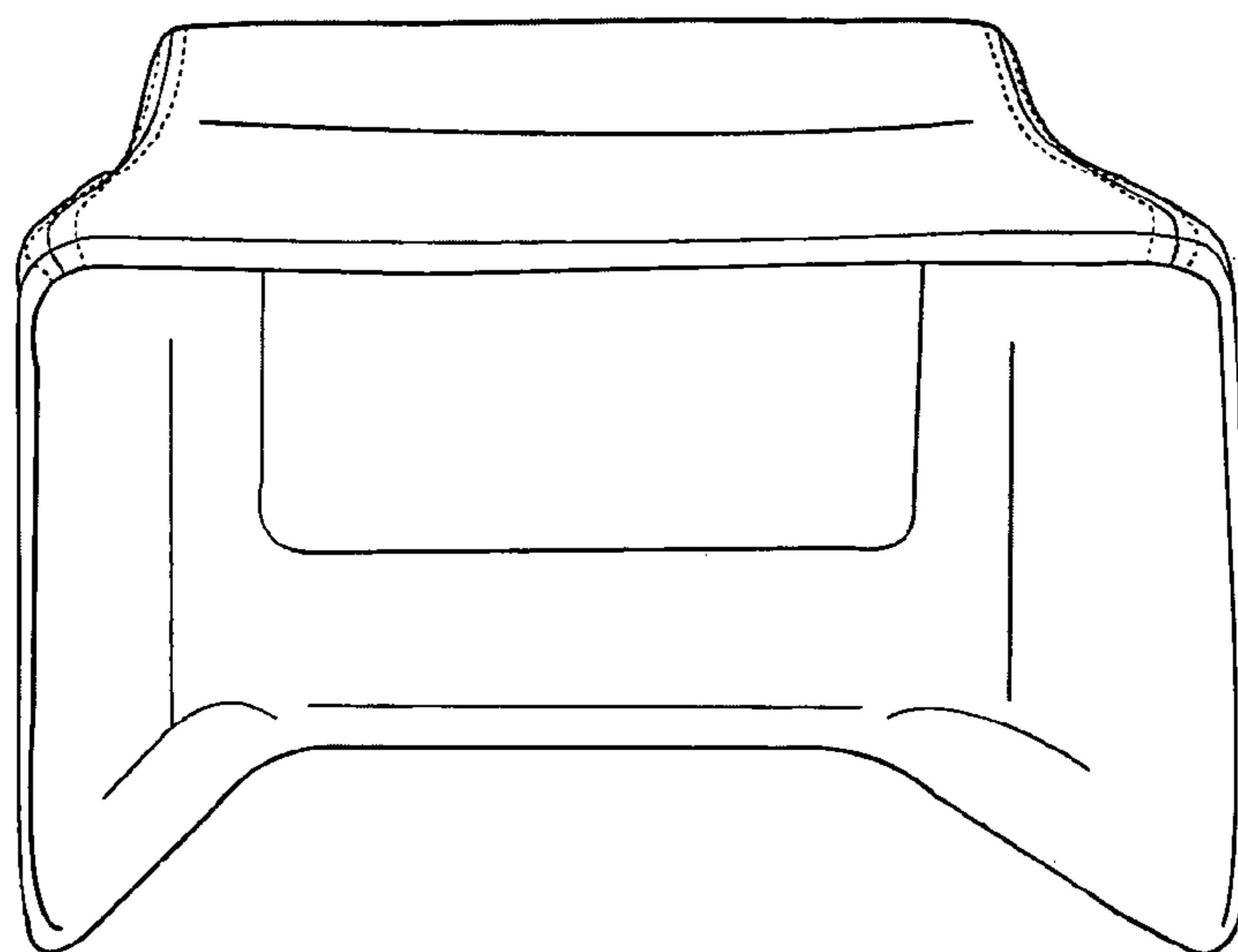


FIG. 5

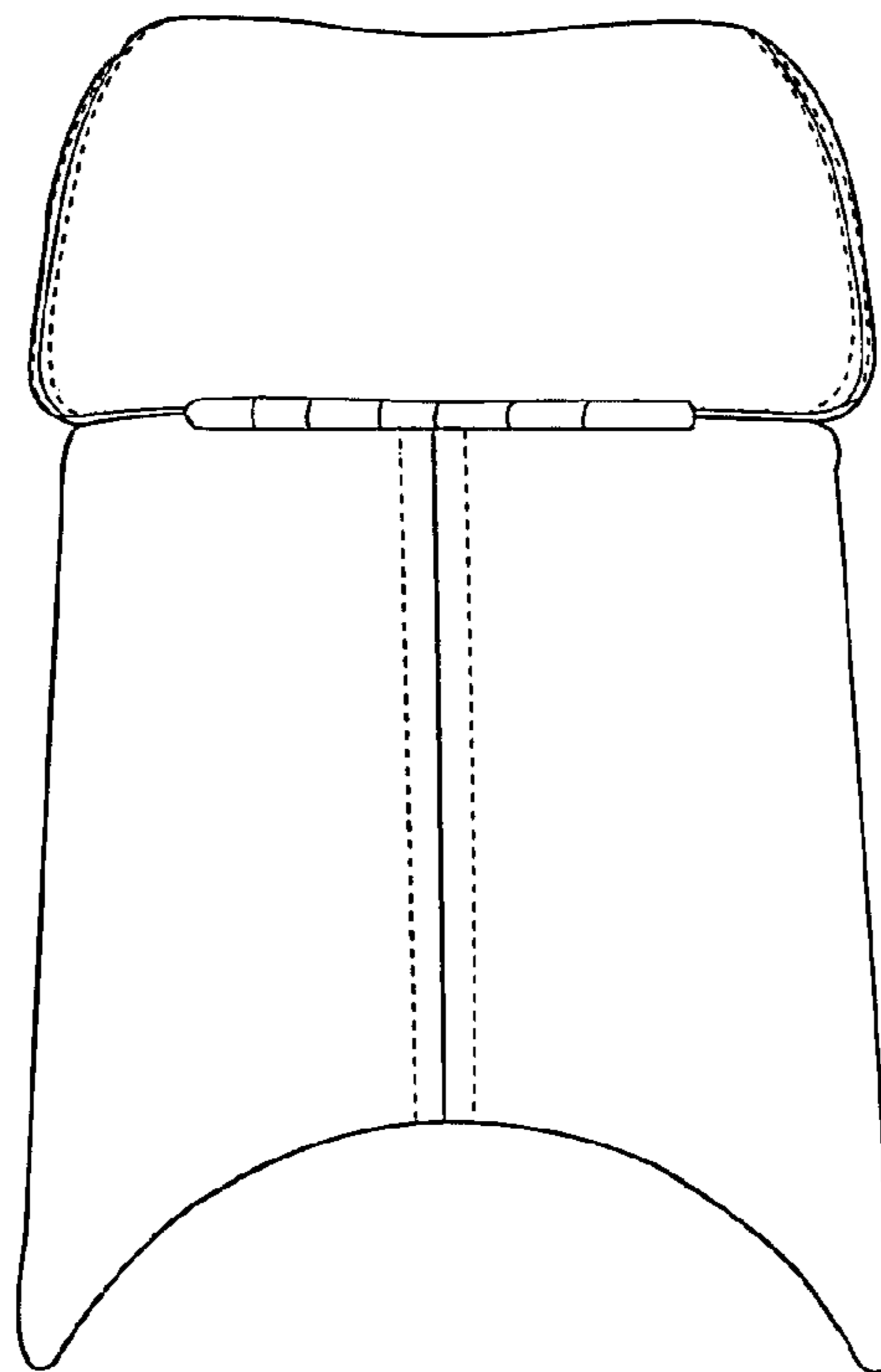


FIG. 6

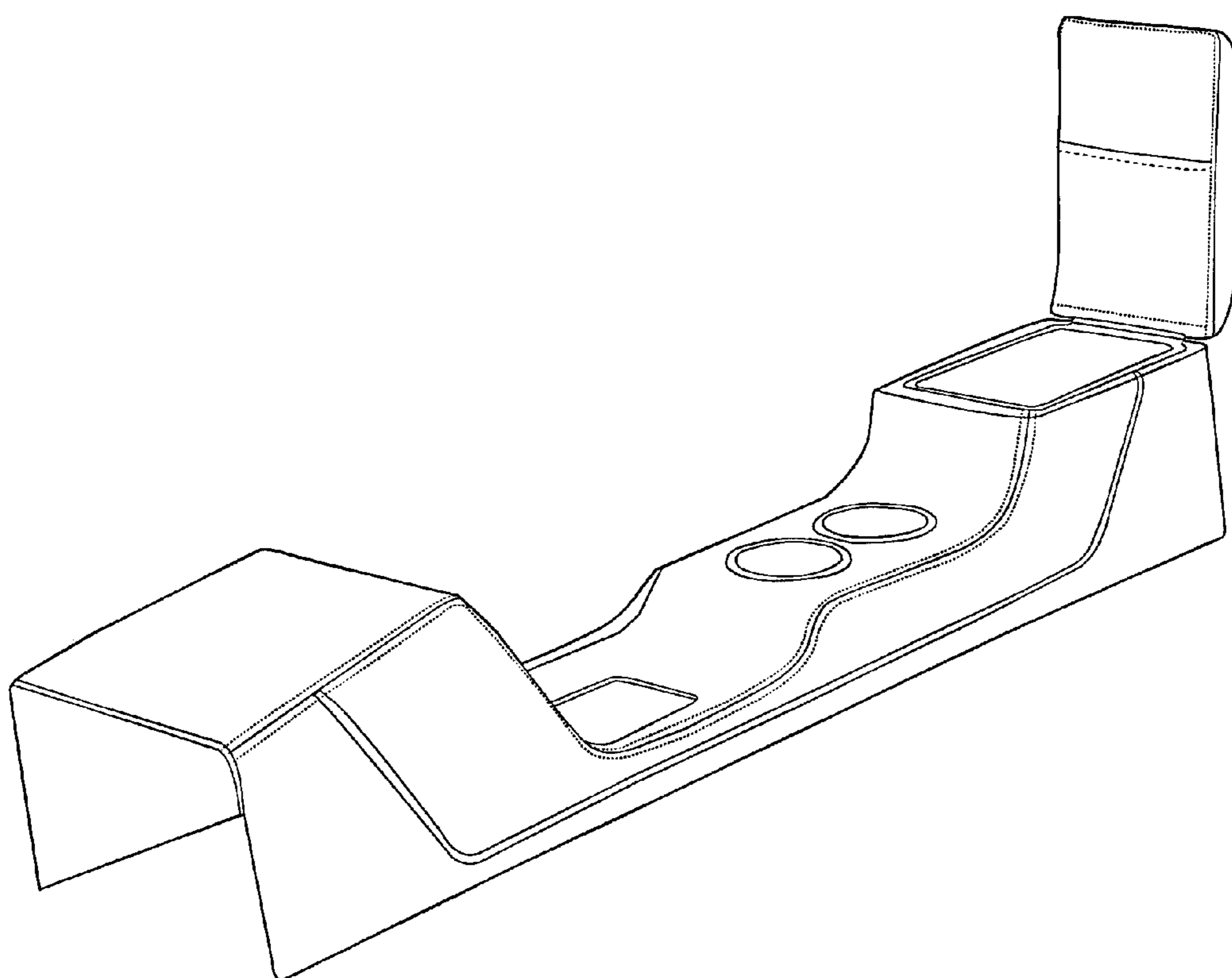


FIG. 7