



US00D724518S

(12) **United States Design Patent**
Parker

(10) **Patent No.:** **US D724,518 S**
(45) **Date of Patent:** **** Mar. 17, 2015**

- (54) **GOLF CART SCREEN ASSEMBLY**
- (76) Inventor: **Jaime E. Parker**, Pasadena, CA (US)
- (**) Term: **14 Years**
- (21) Appl. No.: **29/420,602**
- (22) Filed: **May 10, 2012**
- (51) **LOC (10) Cl.** **12-16**
- (52) **U.S. Cl.**
USPC **D12/400**
- (58) **Field of Classification Search**
CPC .. A63B 55/004; A63B 55/005; B62B 3/1436;
B62B 5/0013; B62B 9/142; E04H 15/00;
E04H 15/003; E04H 15/005; E04H 15/006;
E04H 15/02; E04H 15/18; E04H 15/20;
E04H 15/24; E04H 15/26; E04H 15/42;
E04H 15/54
USPC D12/89, 183, 203, 314, 400, 420, 422;
D28/36, 92; 280/5.3, 163, 164.2, 166,
280/169, 291; 296/77.1, 83, 96.11, 110,
296/210; 135/116, 121, 126
See application file for complete search history.

2002/0084669	A1 *	7/2002	Goodstein	296/77.1
2003/0066552	A1 *	4/2003	Zheng	135/126
2004/0168714	A1 *	9/2004	Zheng	135/121
2006/0049654	A1 *	3/2006	Schneidau et al.	296/77.1
2007/0018485	A1 *	1/2007	Jacobson	296/210
2014/0014151	A1 *	1/2014	Wolfe	135/116

* cited by examiner

Primary Examiner — Deanna L Pratt
Assistant Examiner — Natasha Vujcic
(74) *Attorney, Agent, or Firm* — Rutan & Tucker LLP; Hani Z. Sayed

(57) **CLAIM**
The ornamental design for golf cart screen assembly, as shown and described.

DESCRIPTION

FIG. 1 is a rear perspective view of the present invention in a position of use;
FIG. 2 is a front perspective view of the present invention in a position of use;
FIG. 3 is a rear elevation view (front elevation a mirror image) of the present invention;
FIG. 4 is a top plane view of the present invention;
FIG. 5 is a bottom plane view of the present invention; and,
FIG. 6 is a right side elevation view (left side view is mirror image) of the present invention.
The broken lines in the drawings illustrate the environment of the golf cart screen assembly that forms no part of the claimed design.

1 Claim, 3 Drawing Sheets

- (56) **References Cited**
U.S. PATENT DOCUMENTS
1,339,527 A * 5/1920 Sperling et al. 296/110
6,302,440 B1 * 10/2001 Goodstein 296/96.11
D550,961 S * 9/2007 Eskandry D12/422
D558,652 S * 1/2008 Davis D12/183
D587,644 S * 3/2009 Cord et al. D12/422
D635,085 S * 3/2011 Parker D12/400

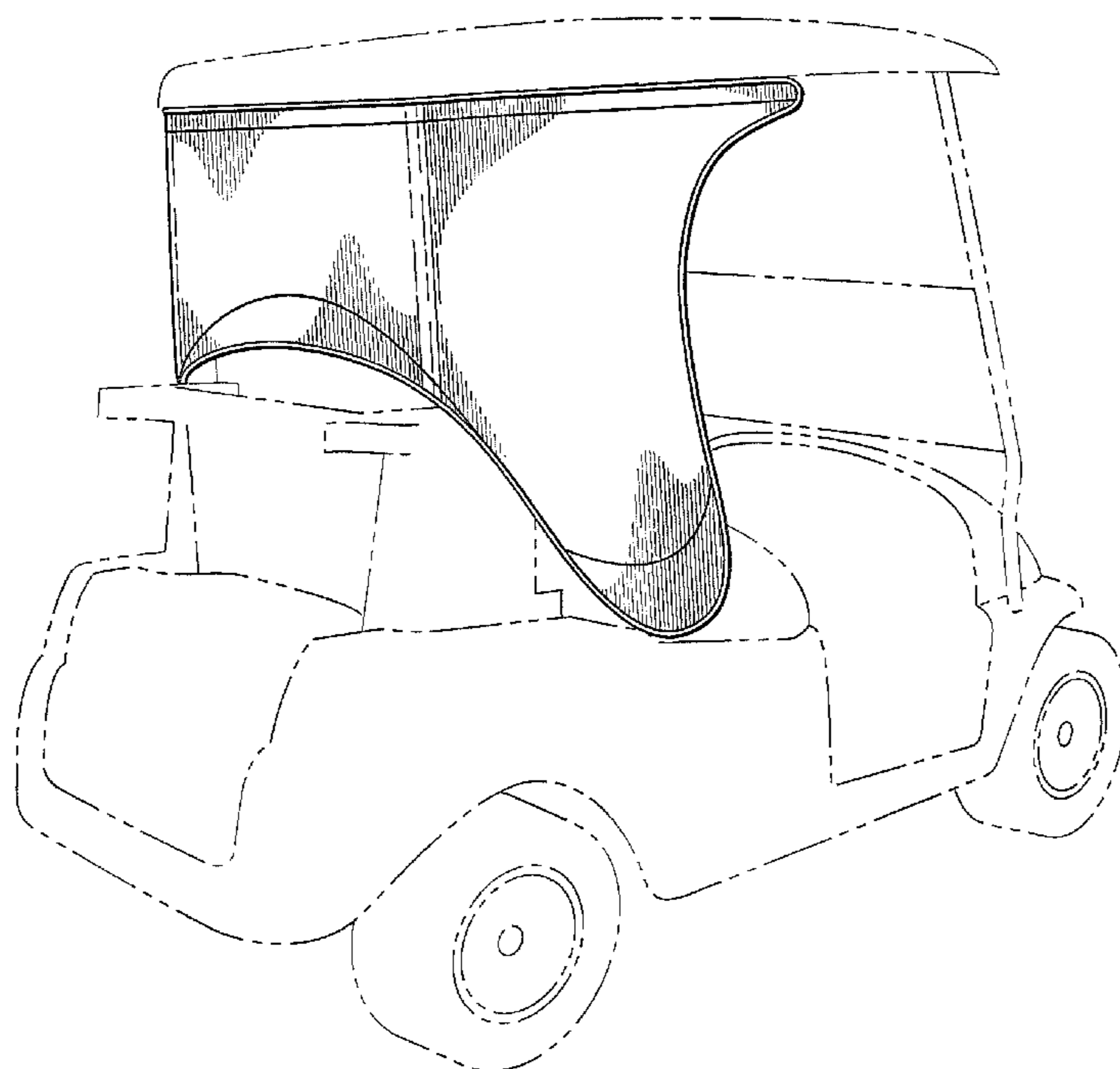


FIG. 1

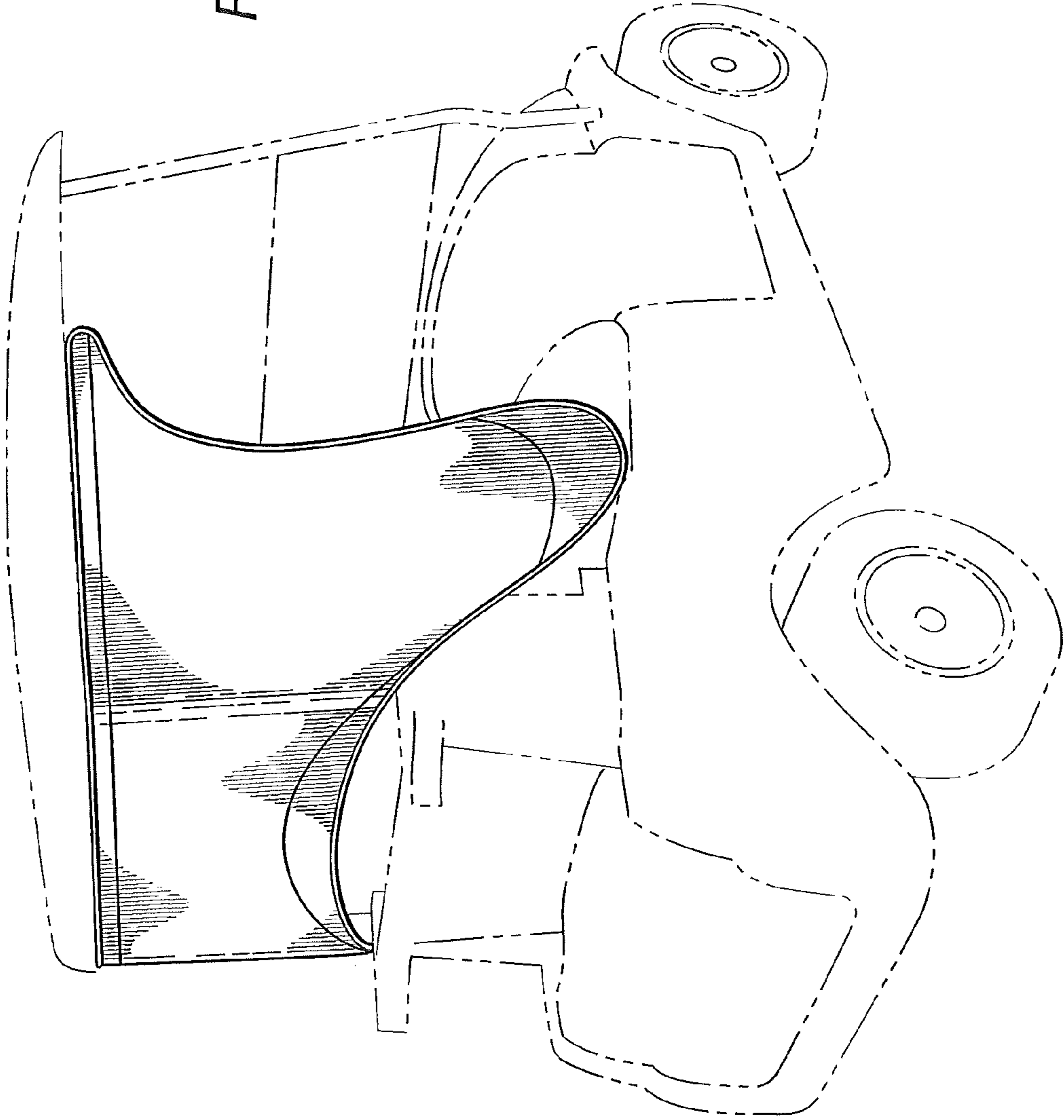
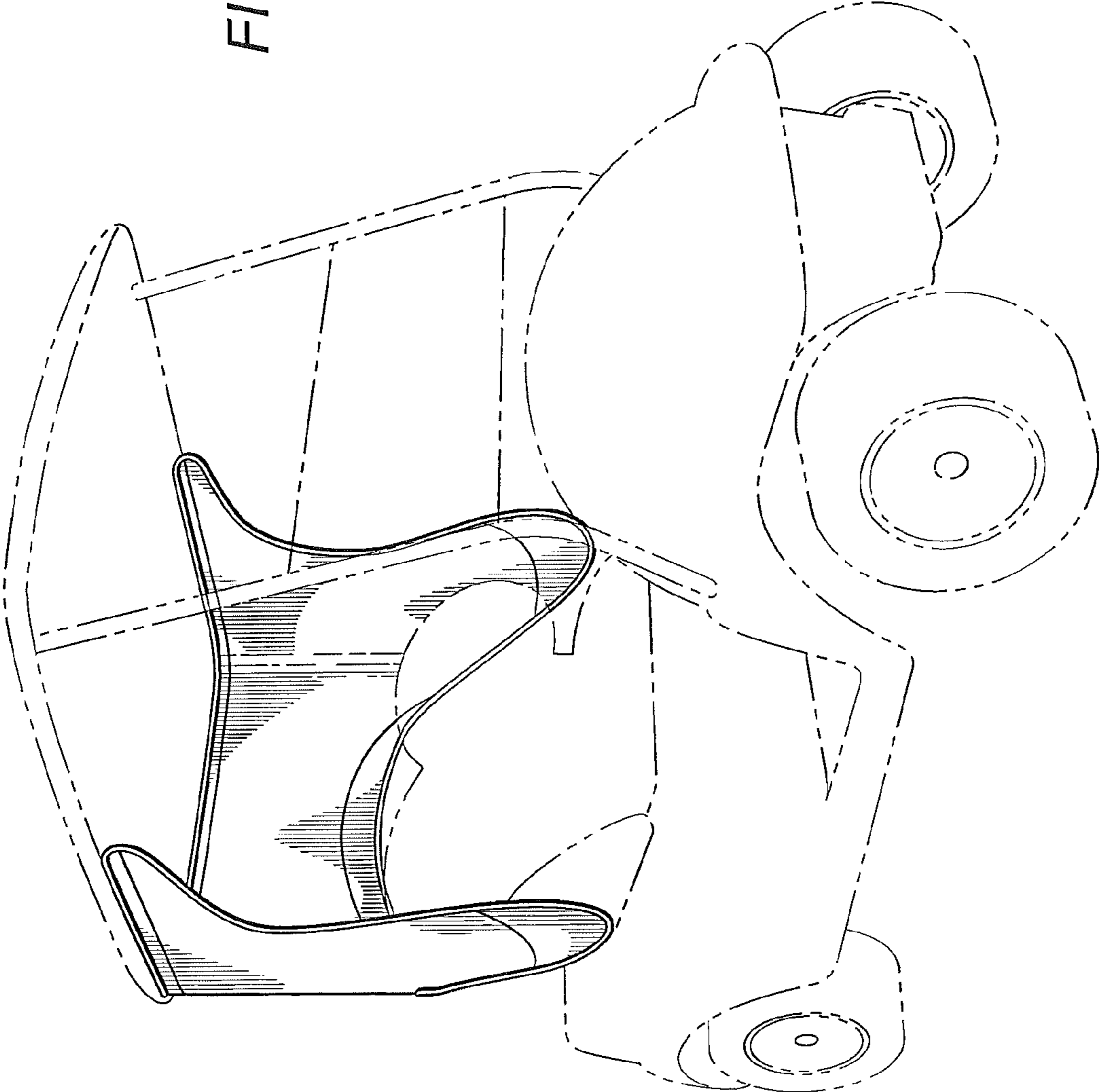


FIG. 2



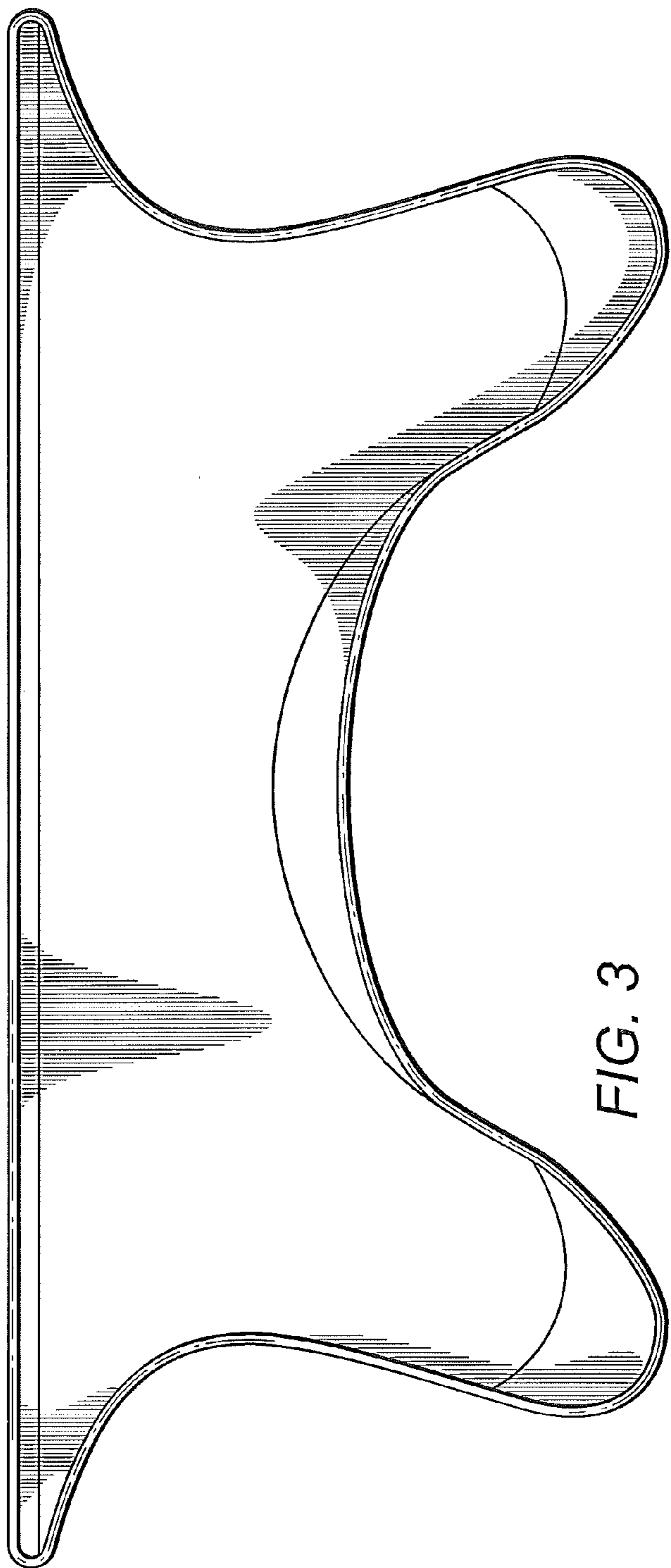


FIG. 3



FIG. 6

FIG. 4



FIG. 5

