



US00D724516S

(12) **United States Design Patent**
Di Buduo et al.

(10) **Patent No.:** **US D724,516 S**
(45) **Date of Patent:** **** Mar. 17, 2015**

(54) **VEHICLE WHEEL**

(71) Applicant: **Ford Motor Company**, Dearborn, MI (US)

(72) Inventors: **Andrea Di Buduo**, Cologne (DE); **Max Wolff**, Birmingham, MI (US); **John Charles Caswell**, Grosse Pointe, MI (US); **Jesse Rene Diephuis**, West Bloomfield, MI (US)

(73) Assignee: **Ford Motor Company**, Dearborn, MI (US)

(**) Term: **14 Years**

(21) Appl. No.: **29/486,027**

(22) Filed: **Mar. 26, 2014**

(51) **LOC (10) Cl.** **12-16**

(52) **U.S. Cl.**
USPC **D12/211**

(58) **Field of Classification Search**
CPC B60B 7/00; B60B 7/02; B60B 7/04; B60B 7/01; B60B 7/06; B60B 3/02; B60B 3/04; B60B 3/06; B60B 3/10; B60B 1/00; B60B 1/08; B60B 1/10; B60B 1/12
USPC D12/204–213
See application file for complete search history.

(56) **References Cited**

U.S. PATENT DOCUMENTS

D460,942 S *	7/2002	Lee	D12/211
D532,739 S *	11/2006	Ettensberger	D12/211
D547,711 S *	7/2007	Young	D12/211
D580,336 S *	11/2008	Chung	D12/211
D603,318 S *	11/2009	Luciani et al.	D12/209
D621,771 S *	8/2010	Truebsbach	D12/211
D635,907 S *	4/2011	Futschik et al.	D12/211
D654,007 S *	2/2012	Nissl	D12/211
D660,771 S *	5/2012	Mueller-Stolz	D12/211
D663,672 S *	7/2012	Platto et al.	D12/211
D669,410 S *	10/2012	Fetherston	D12/211
D671,482 S *	11/2012	Nakamura	D12/211
D674,331 S *	1/2013	Feuerherdt	D12/211
D684,914 S *	6/2013	Gotschke	D12/209
D713,316 S *	9/2014	Song et al.	D12/211

* cited by examiner

Primary Examiner — Stacia Cadmus

(74) *Attorney, Agent, or Firm* — Damian Porcari

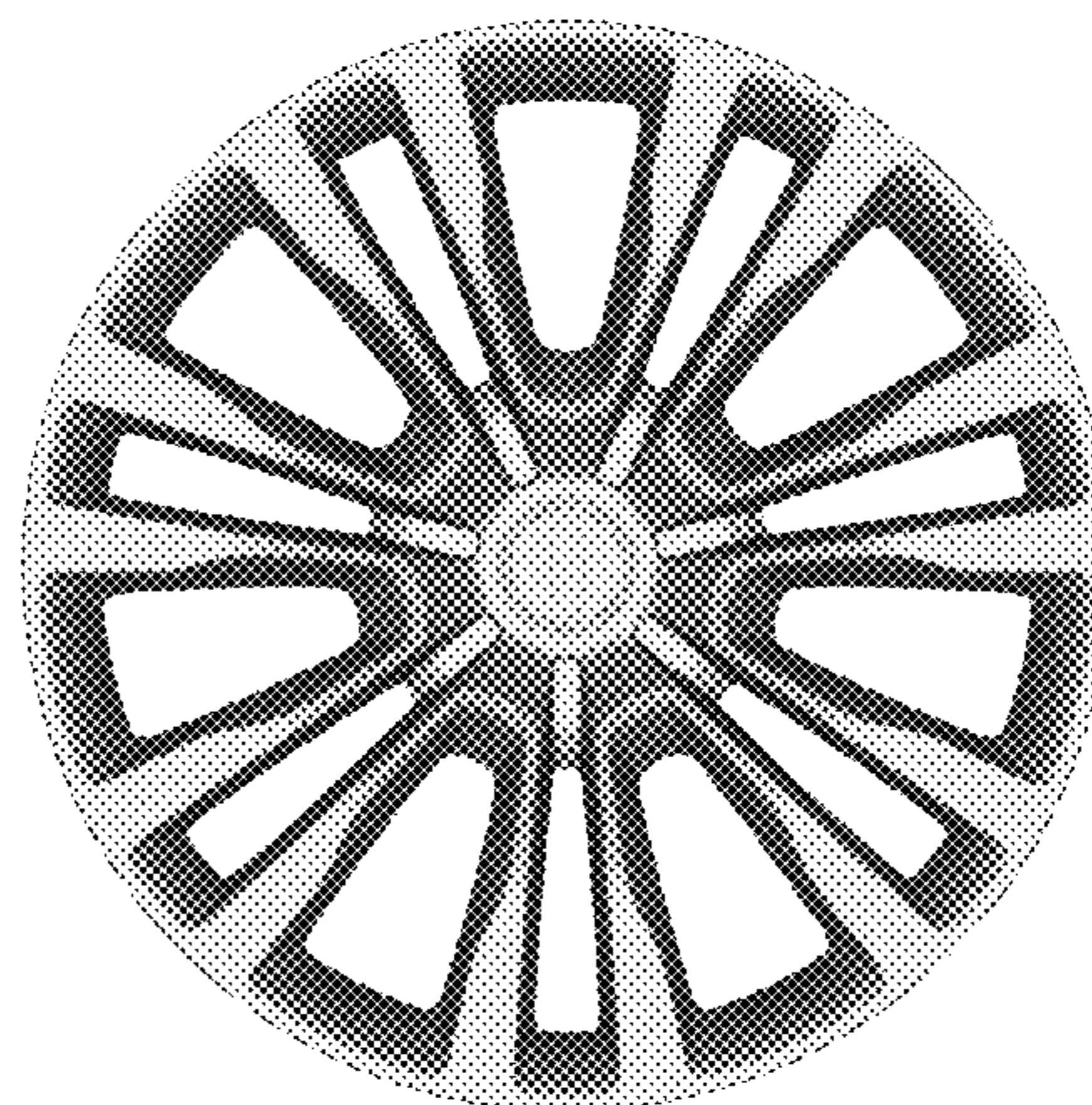
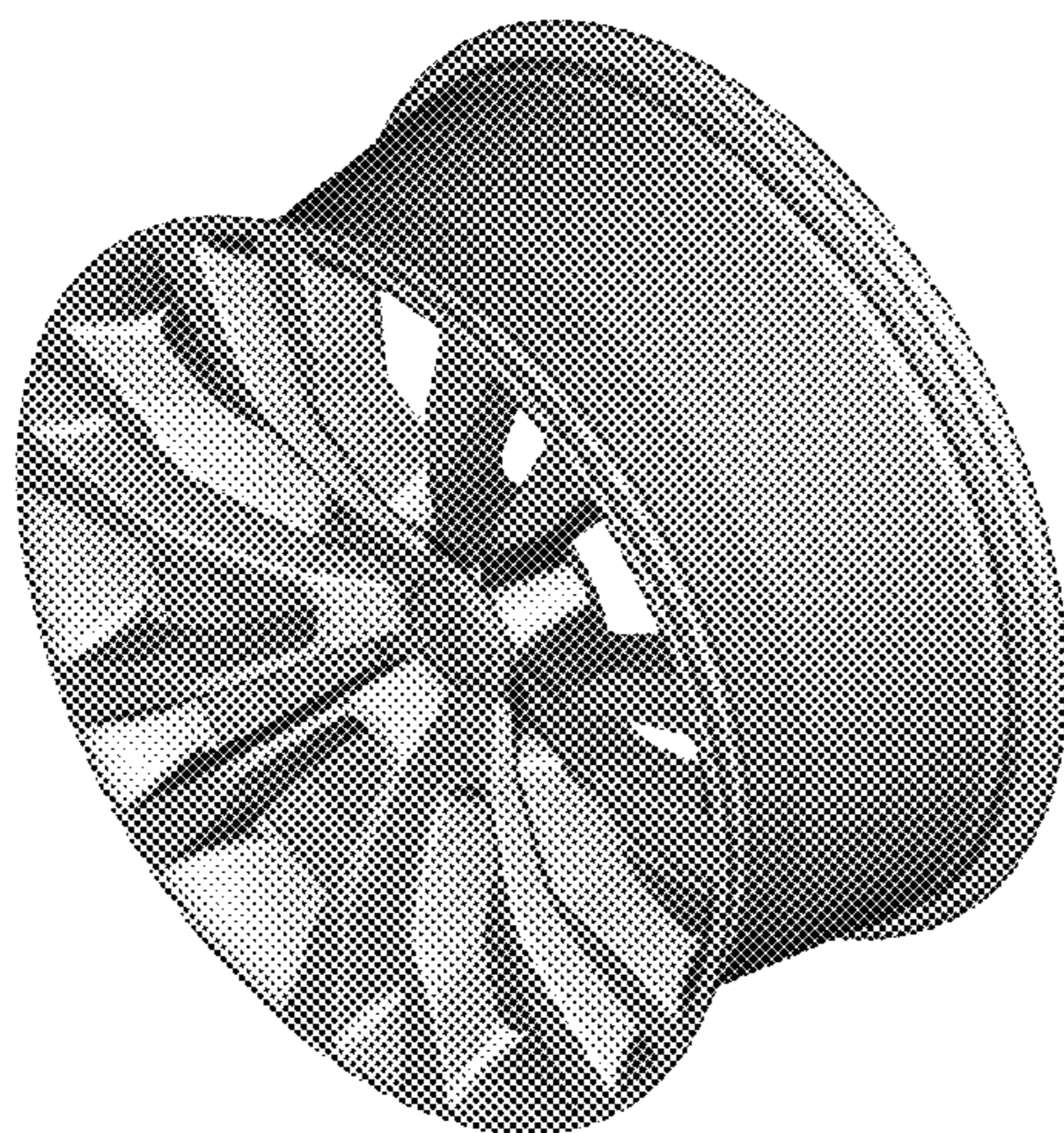
(57) **CLAIM**

The ornamental design for a vehicle wheel, as shown and described.

DESCRIPTION

FIG. 1 is a perspective view of a vehicle wheel; and, FIG. 2 is a front view thereof.

1 Claim, 2 Drawing Sheets



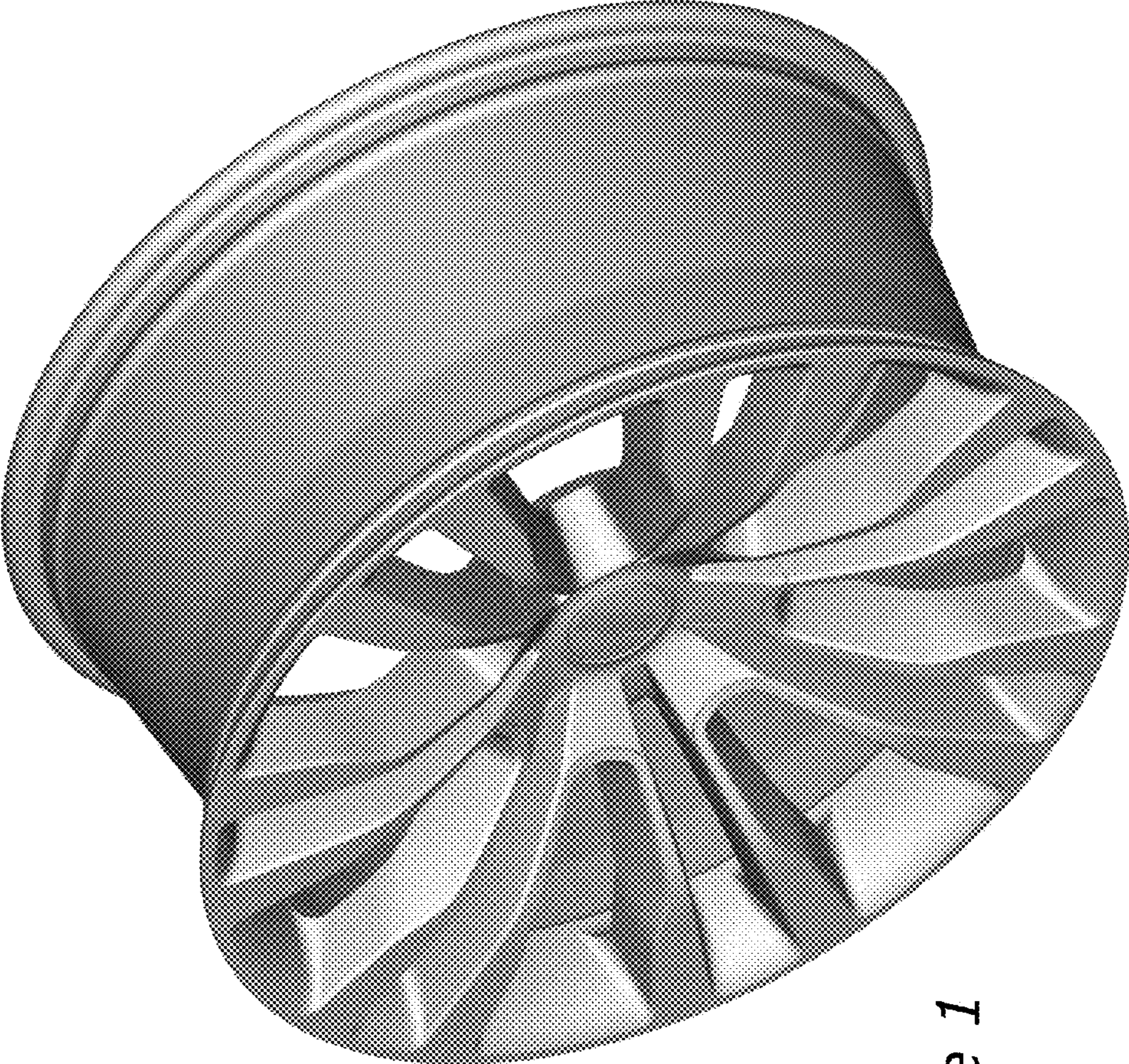


Figure 1



Figure 2