



US00D724514S

(12) **United States Design Patent**
Werwie, III et al.

(10) **Patent No.:** **US D724,514 S**

(45) **Date of Patent:** **** *Mar. 17, 2015**

(54) **WHEEL**

(71) Applicant: **Pacific Cycle, LLC**, Madison, WI (US)

(72) Inventors: **Joseph J. Werwie, III**, Sun Prairie, WI (US); **Jason Clark**, Glendale, AZ (US)

(73) Assignee: **Pacific Cycle, LLC**, Madison, WI (US)

(*) Notice: This patent is subject to a terminal disclaimer.

(**) Term: **14 Years**

(21) Appl. No.: **29/499,232**

(22) Filed: **Aug. 13, 2014**

(51) **LOC (10) Cl.** **12-16**

(52) **U.S. Cl.**
USPC **D12/209**

(58) **Field of Classification Search**
CPC B60B 7/00; B60B 7/02; B60B 7/04;
B60B 7/01; B60B 7/06; B60B 3/02; B60B
3/04; B60B 3/06; B60B 3/10; B60B 1/00;
B60B 1/08; B60B 1/10; B60B 1/12
USPC D12/204-213
See application file for complete search history.

(56) **References Cited**

U.S. PATENT DOCUMENTS

D248,095 S * 6/1978 Shuzuki et al. D12/205
D282,924 S * 3/1986 Inoue D12/211

5,445,439 A 8/1995 Dietrich
D401,204 S * 11/1998 Al-Sabah D12/204
D401,207 S * 11/1998 Al-Sabah D12/209

(Continued)

OTHER PUBLICATIONS

Website screenshot: <http://www.bmxsociety.com/topic/53162-every-kind-of-mag-wheel-ever-seen-on-a-bmx-bike/>; obtained Dec. 4, 2014.

Primary Examiner — Stacia Cadmus

(74) *Attorney, Agent, or Firm* — Shane Delsman; Godfrey & Kahn, S.C.

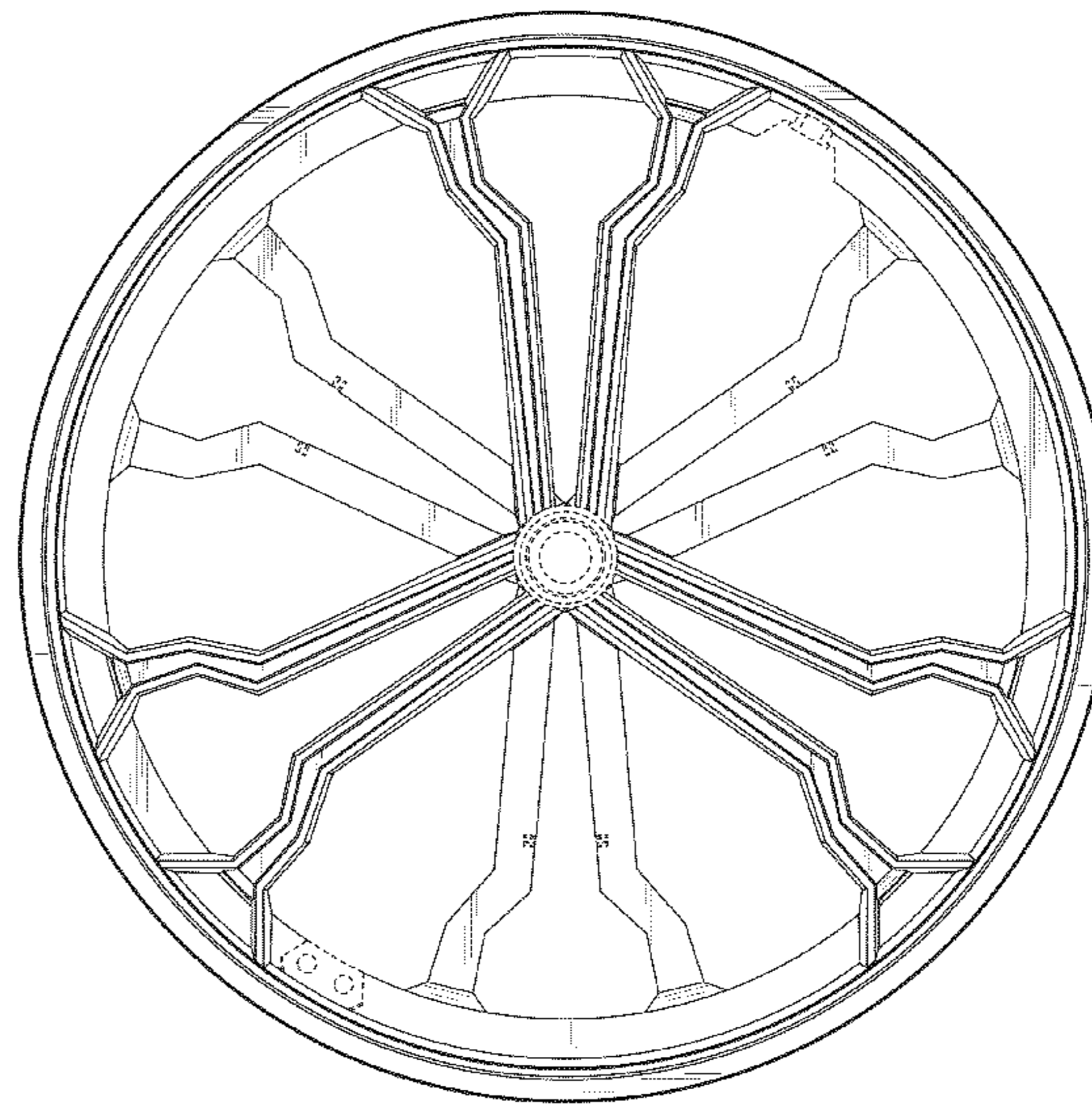
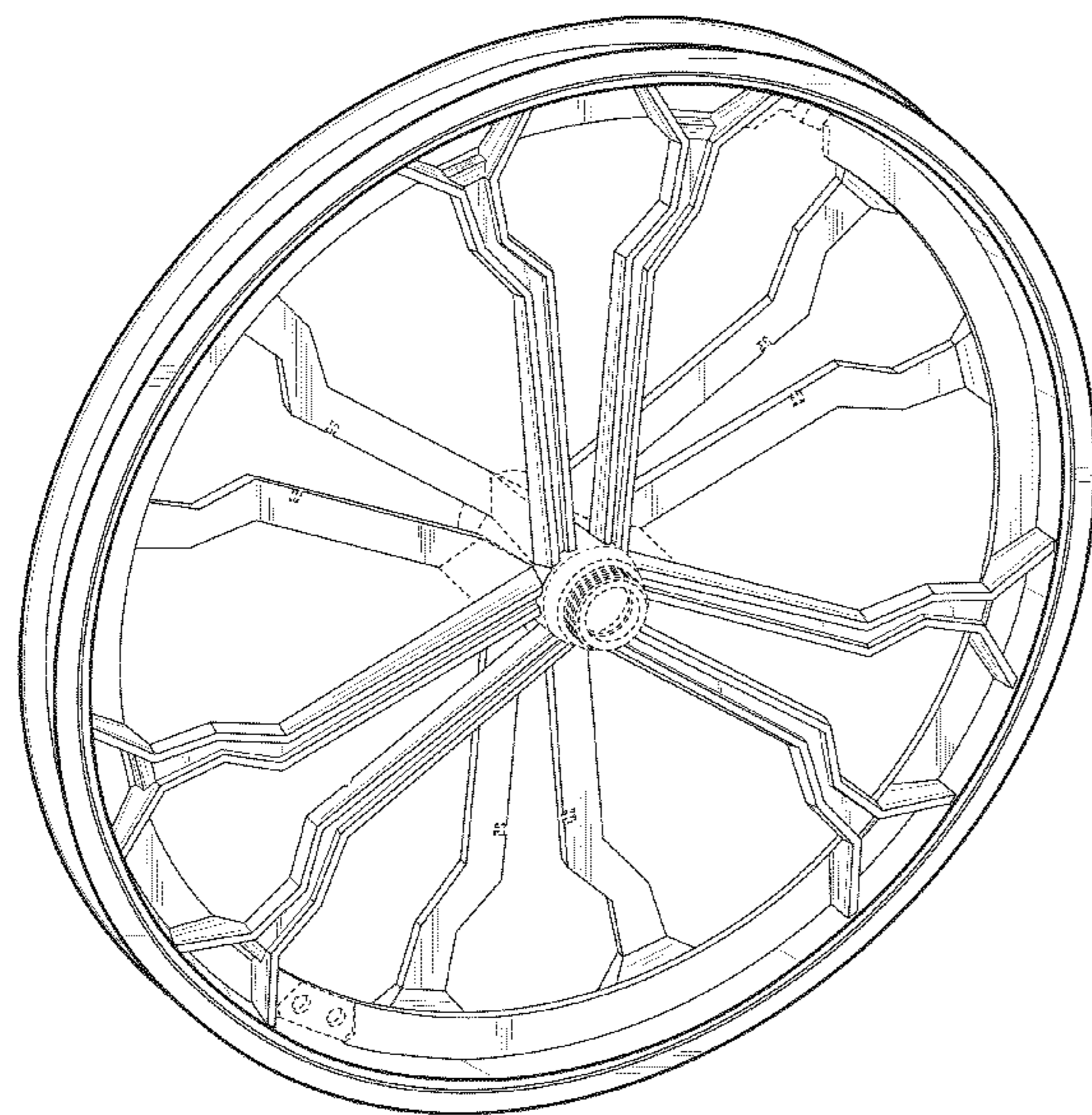
(57) **CLAIM**

We claim the ornamental design for a wheel, as shown and described.

DESCRIPTION

FIG. 1 is a perspective view of a wheel of our new design; FIG. 2 is a right side elevation view of the wheel of FIG. 1; FIG. 3 is a left side elevation view of the wheel of FIG. 1; FIG. 4 is a rear elevation view of the wheel of FIG. 1; and FIG. 5 is a front elevation view of the wheel of FIG. 1. FIG. 6 is a top plan view of the wheel of FIG. 1; FIG. 7 is a bottom plan view of the wheel of FIG. 1; FIG. 8 is a perspective view of a second embodiment of a wheel of our new design; FIG. 9 is a right side elevation view of the wheel of FIG. 8; FIG. 10 is a left side elevation view of the wheel of FIG. 8; FIG. 11 is a front elevation view of the wheel of FIG. 8; FIG. 12 is a rear elevation view of the wheel of FIG. 8; FIG. 13 is a bottom plan view of the wheel of FIG. 8; and, FIG. 14 is a top plan view of the wheel of FIG. 8. The broken lines in FIGS. 1-14 are for illustrative purposes only to show the placement of the claimed design and form no part of the claimed design.

1 Claim, 10 Drawing Sheets



(56)

References Cited

U.S. PATENT DOCUMENTS

D407,053 S * 3/1999 Al-Sabah D12/209
5,931,544 A 8/1999 Dietrich
5,938,293 A 8/1999 Dietrich
5,947,565 A 9/1999 Dietrich
6,024,414 A 2/2000 Dietrich
6,145,938 A 11/2000 Dietrich
6,244,667 B1 6/2001 Dietrich

D462,042 S * 8/2002 Bernardi D12/205
6,428,113 B2 8/2002 Dietrich
6,497,042 B1 12/2002 Dietrich
6,715,844 B2 4/2004 Dietrich
6,846,047 B2 1/2005 Dietrich
D543,921 S * 6/2007 Sieve et al. D12/207
D690,641 S * 10/2013 Winshtein et al. D12/209
D697,002 S * 1/2014 Tanevski D12/209
D698,719 S * 2/2014 Saracoglu D12/209

* cited by examiner

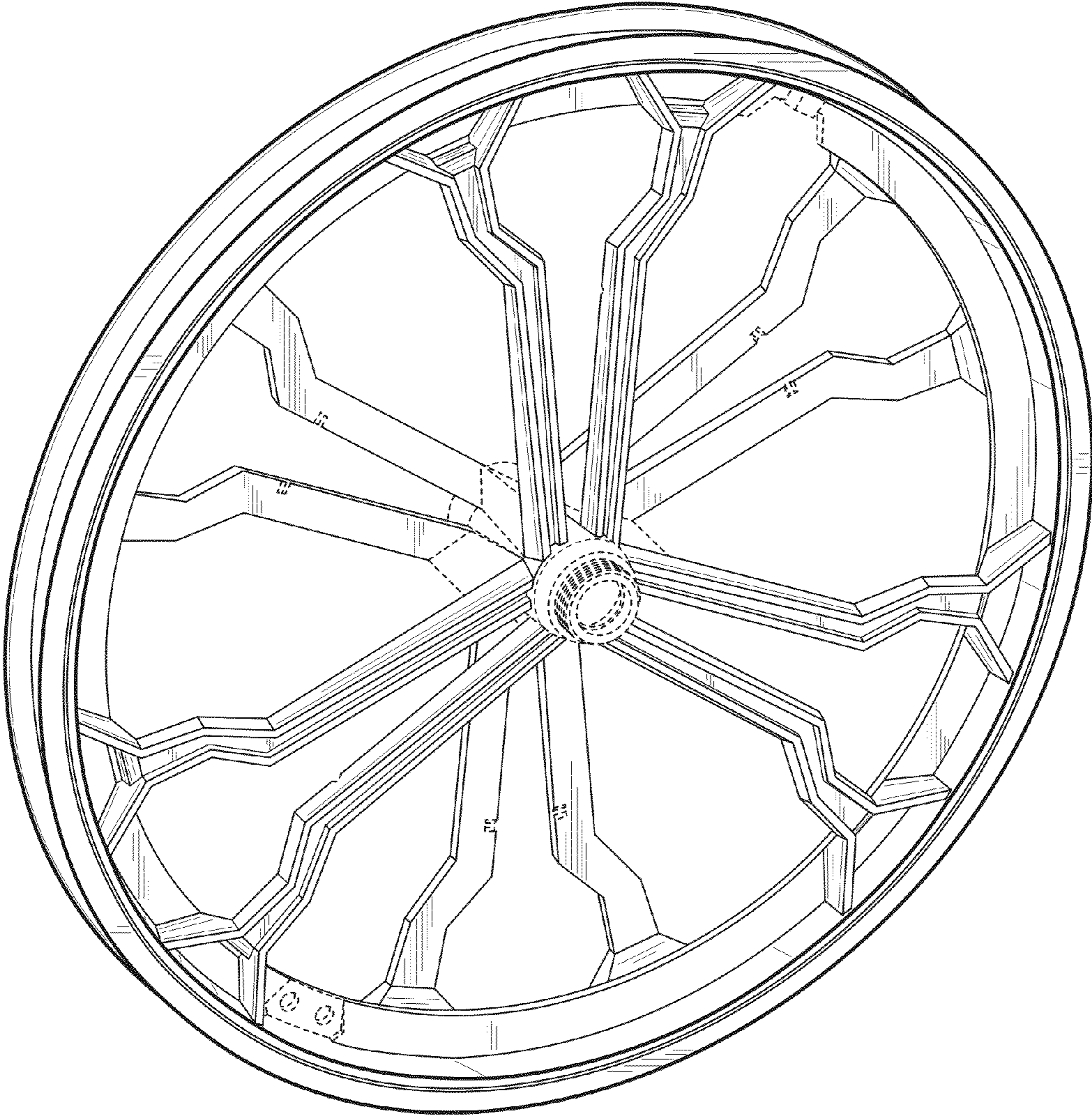


FIG. 1

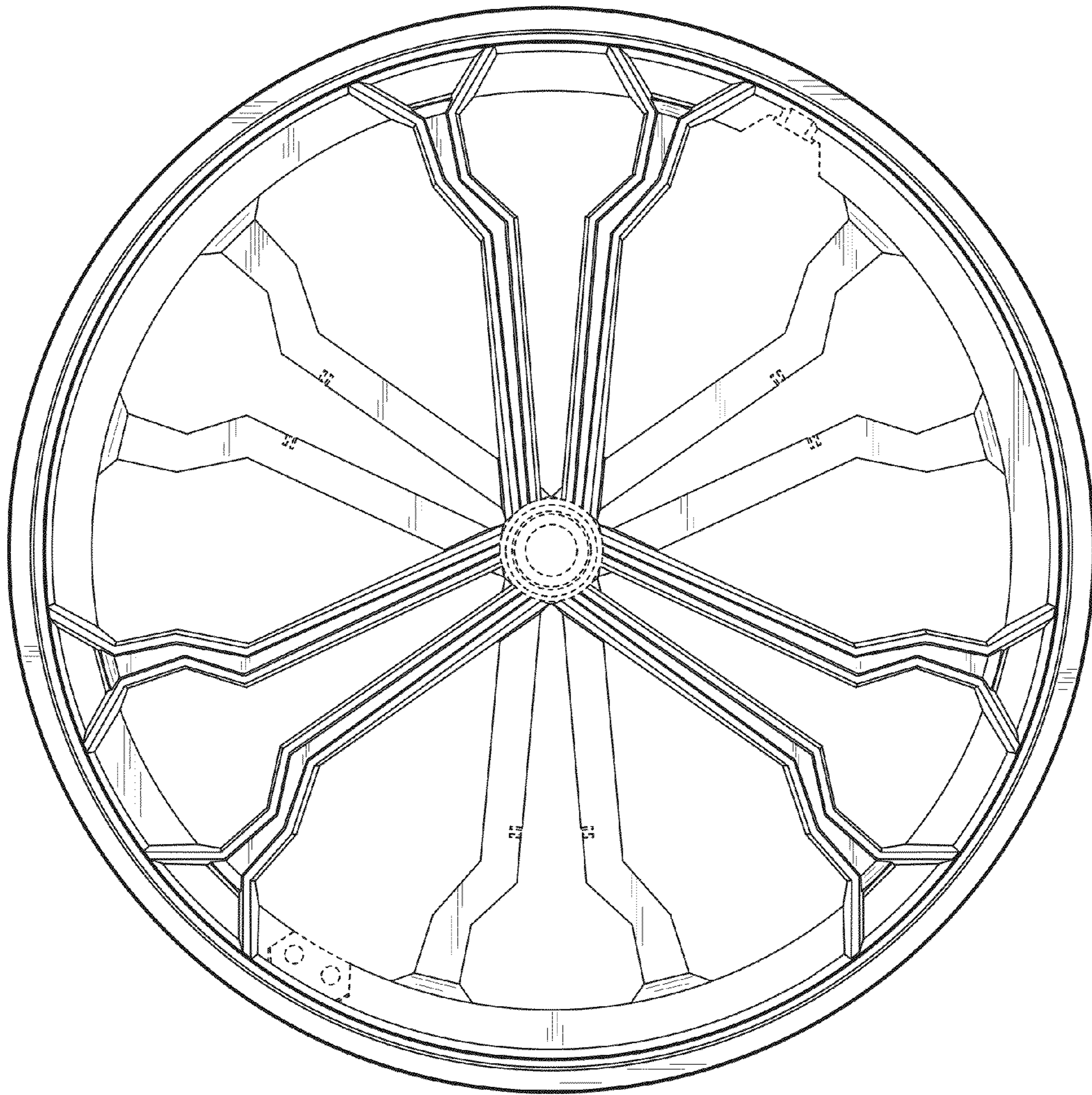


FIG. 2

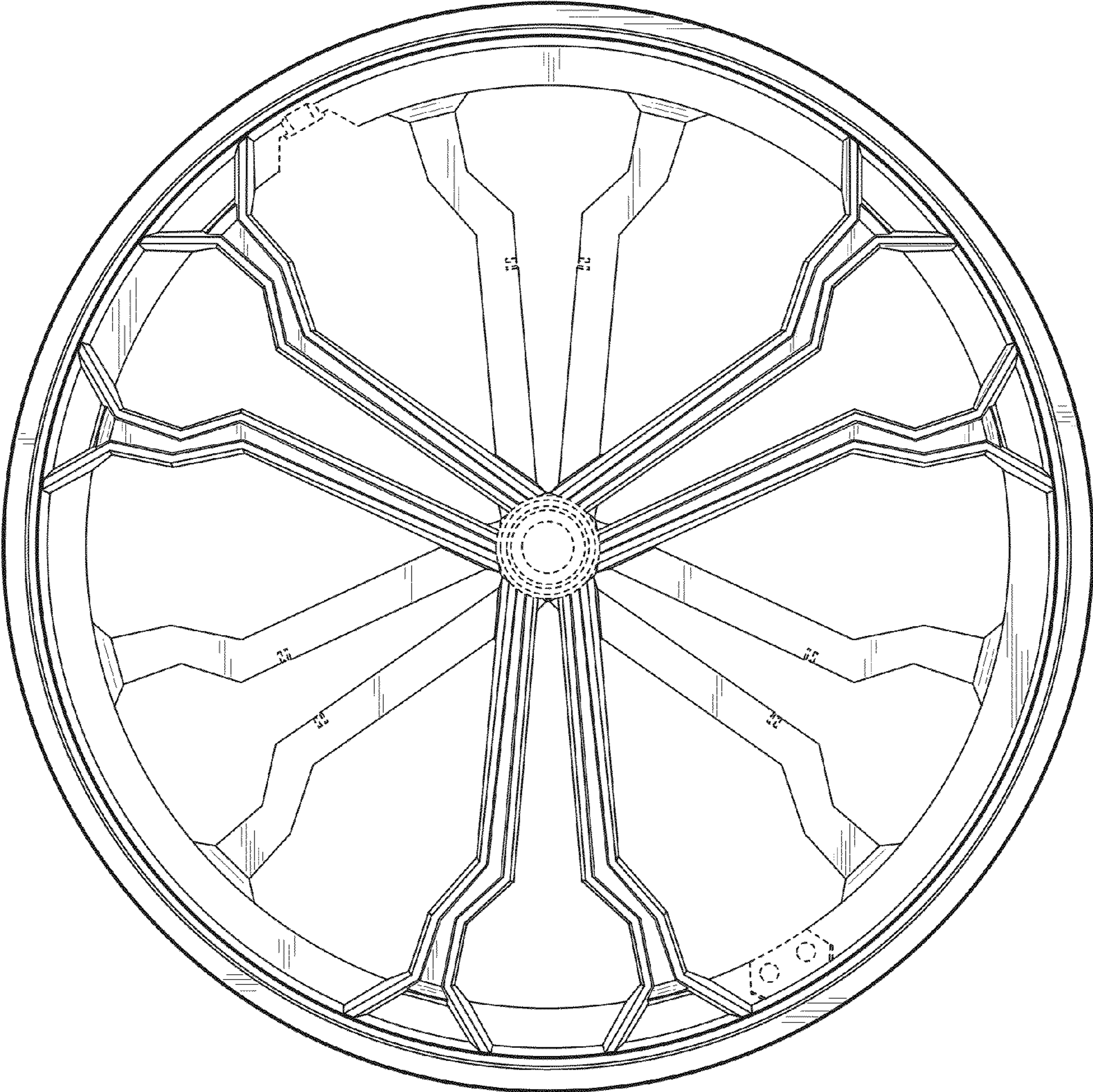


FIG. 3

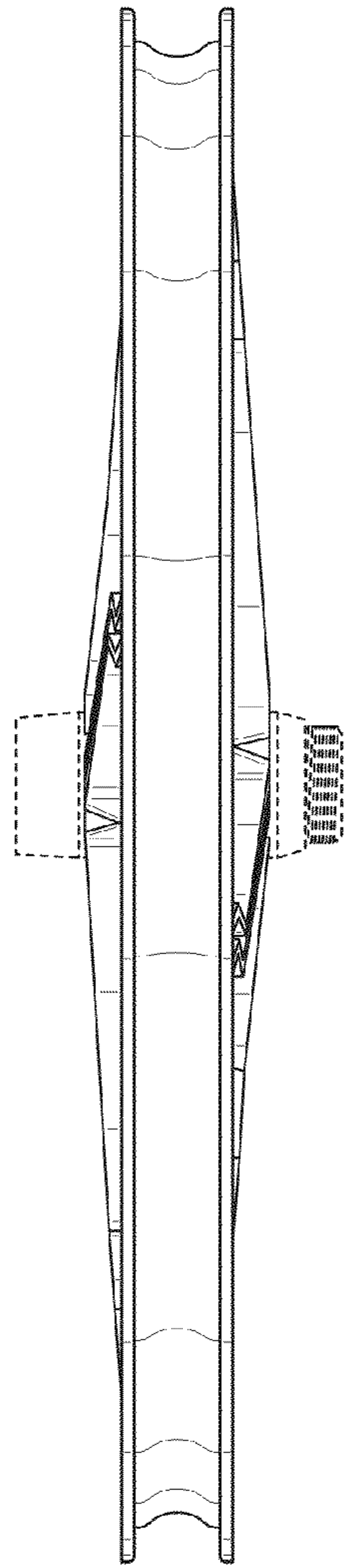


FIG. 4

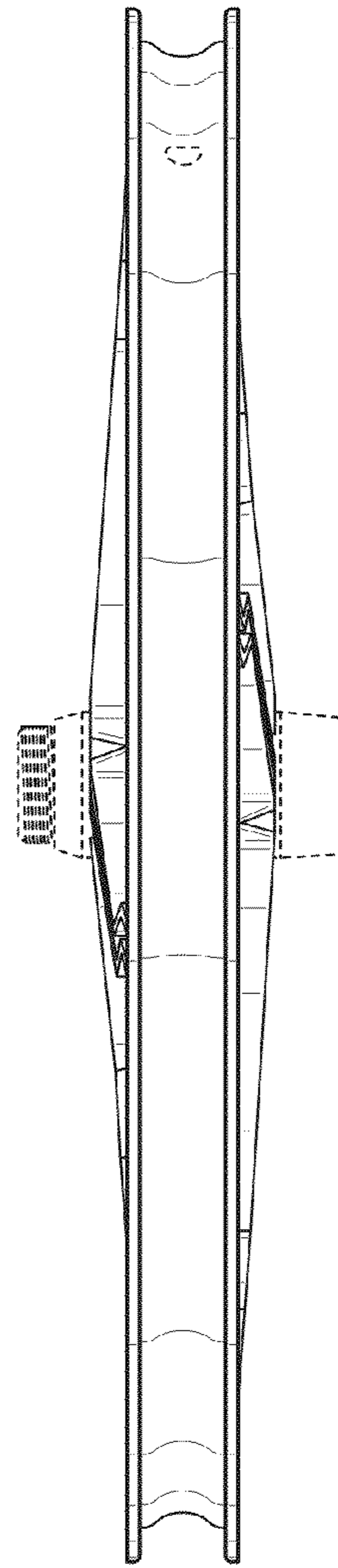


FIG. 5

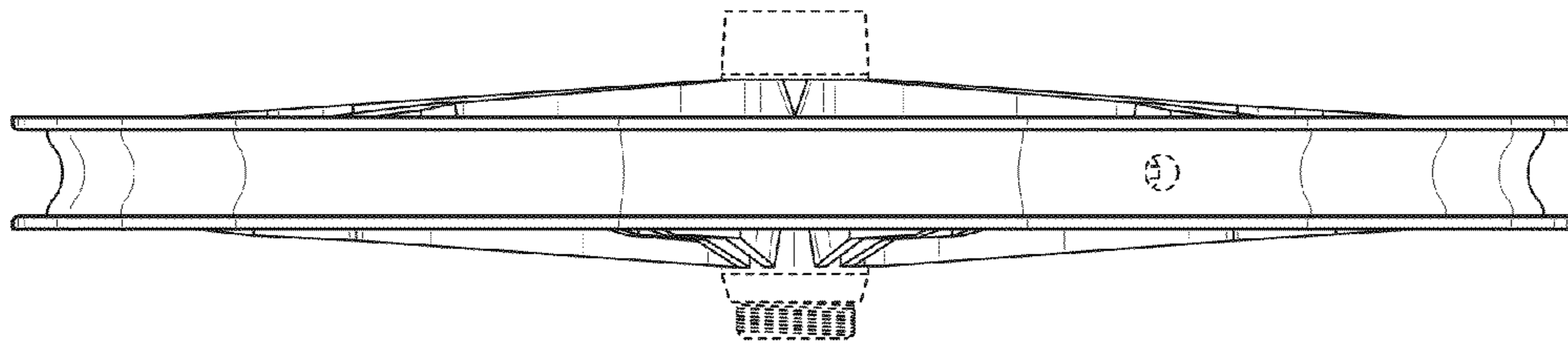


FIG. 6

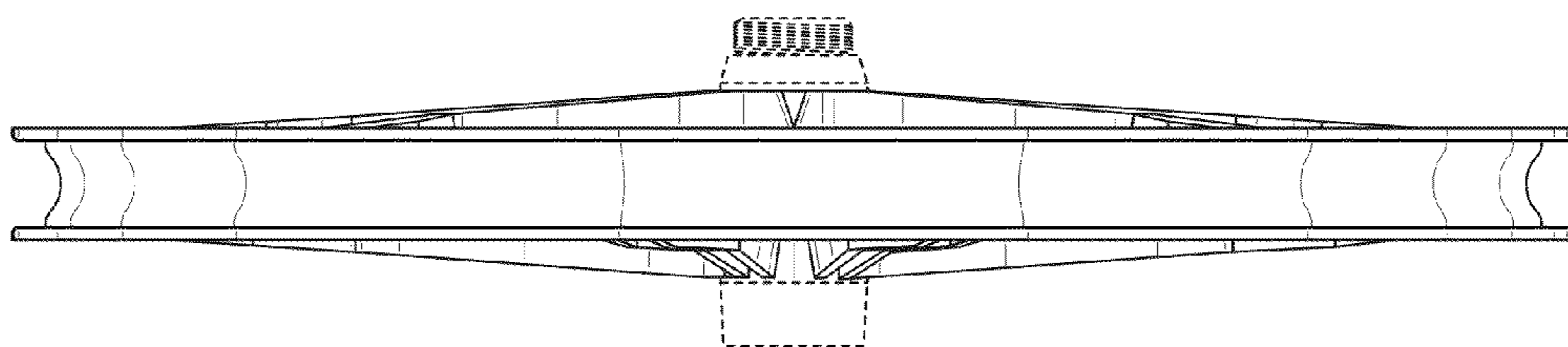


FIG. 7

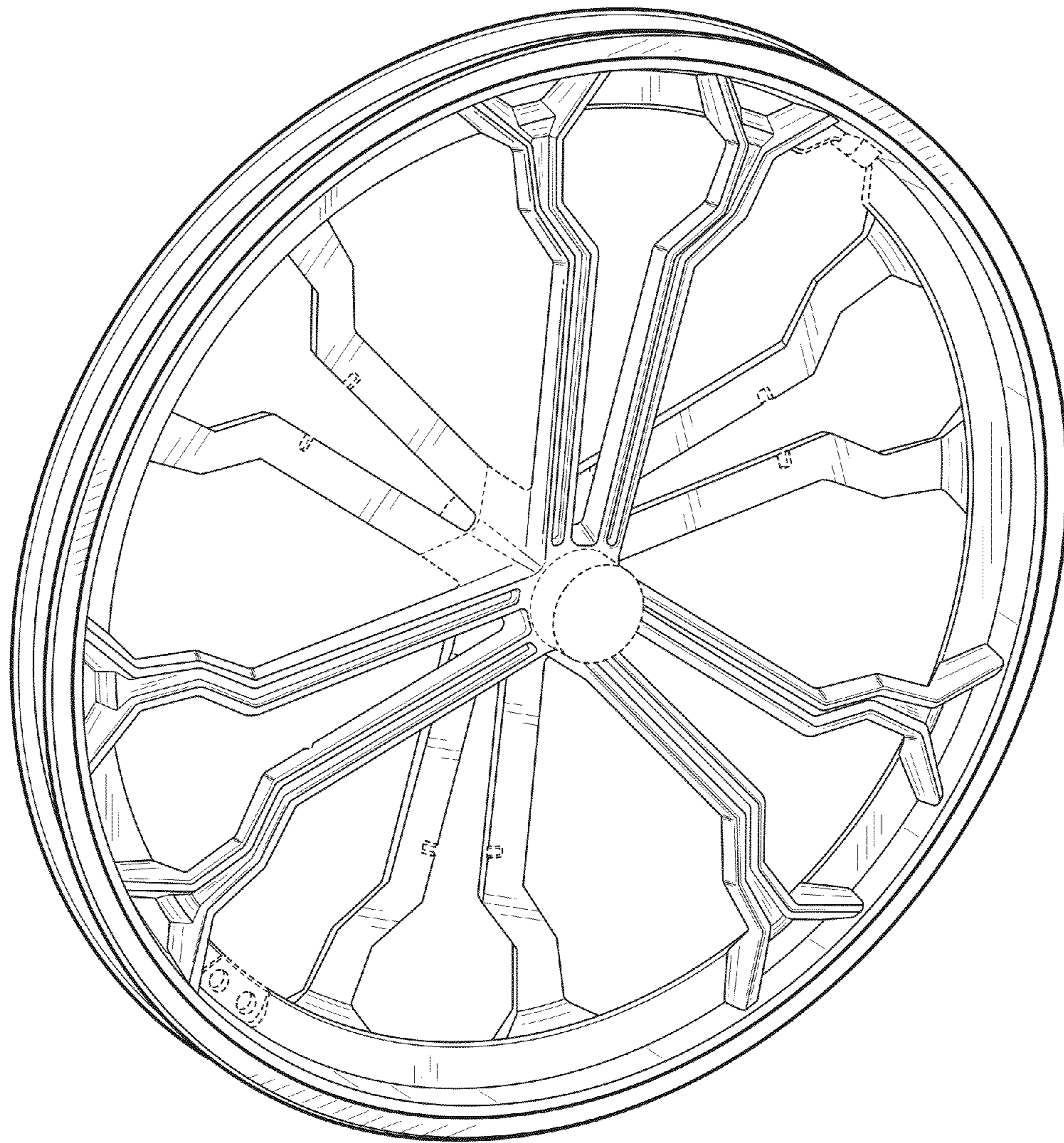


FIG. 8

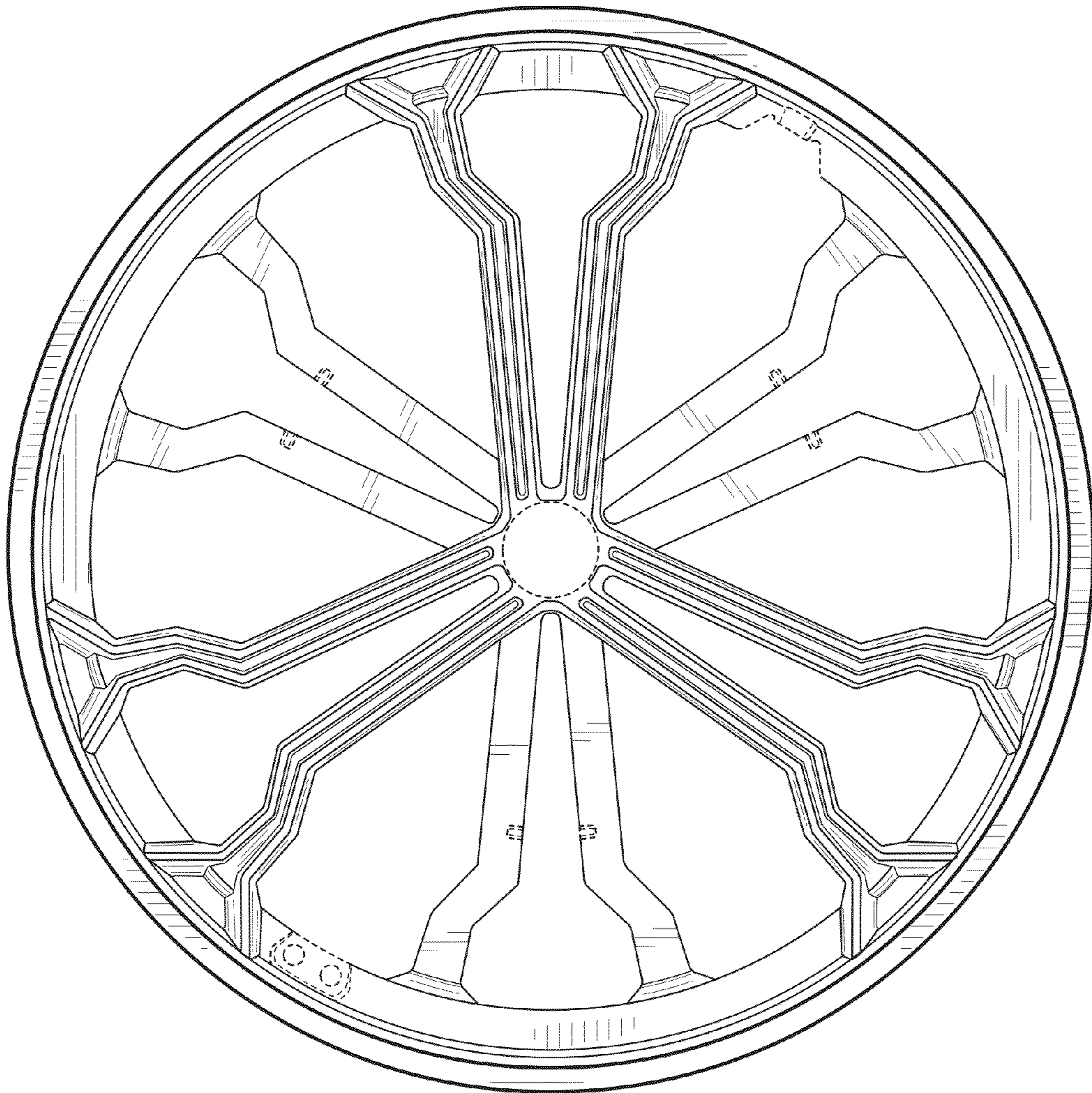


FIG. 9

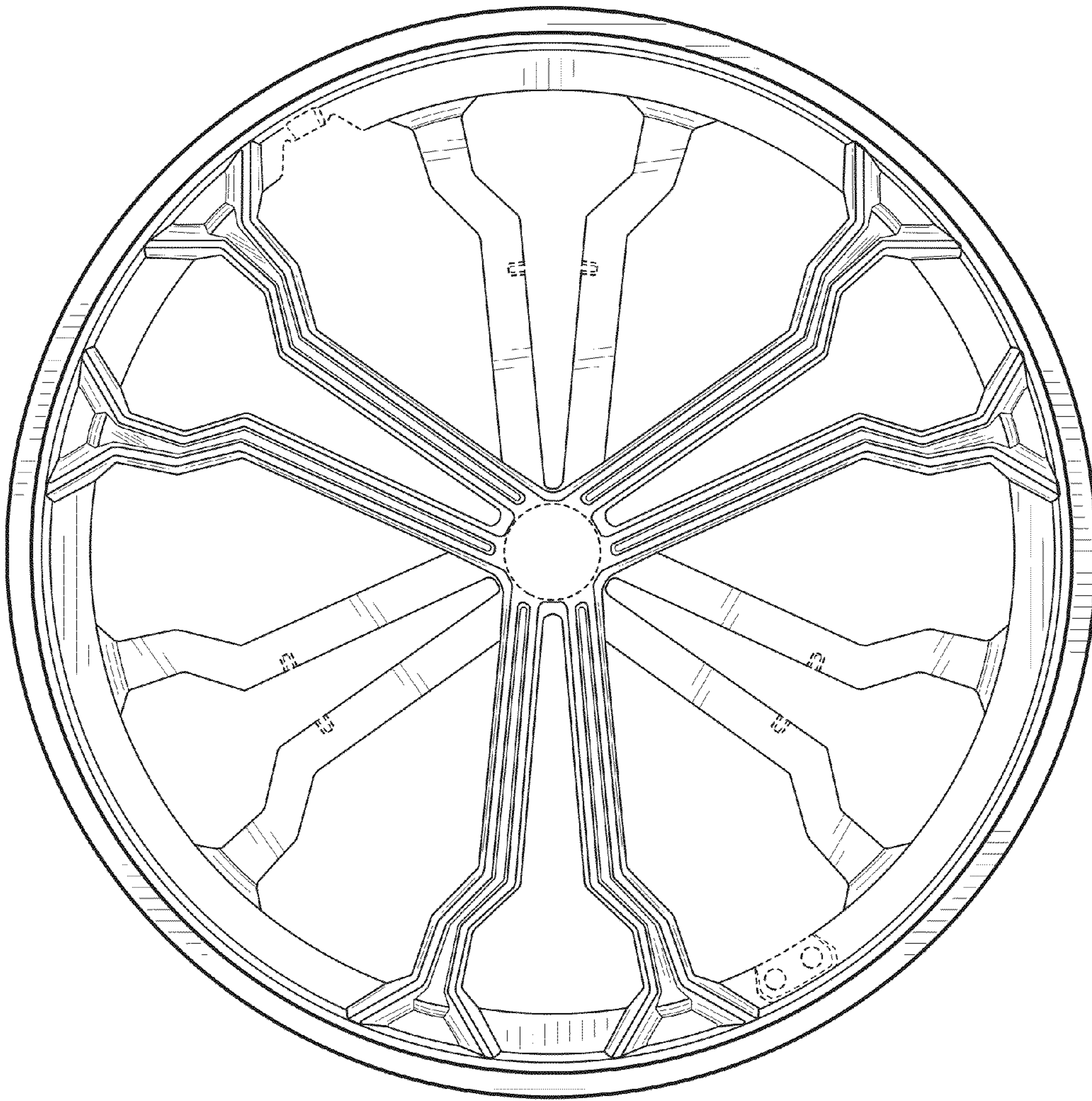


FIG. 10

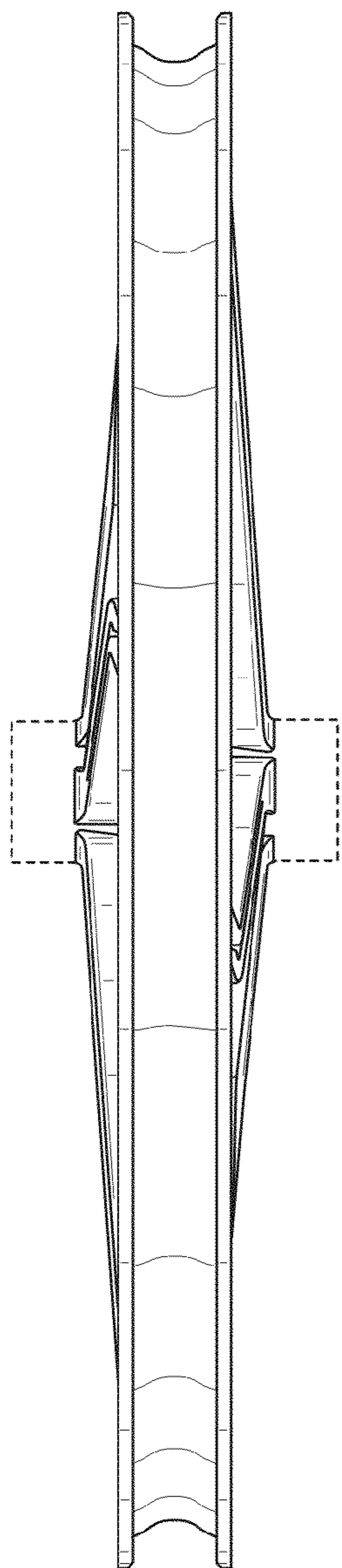


FIG. 11

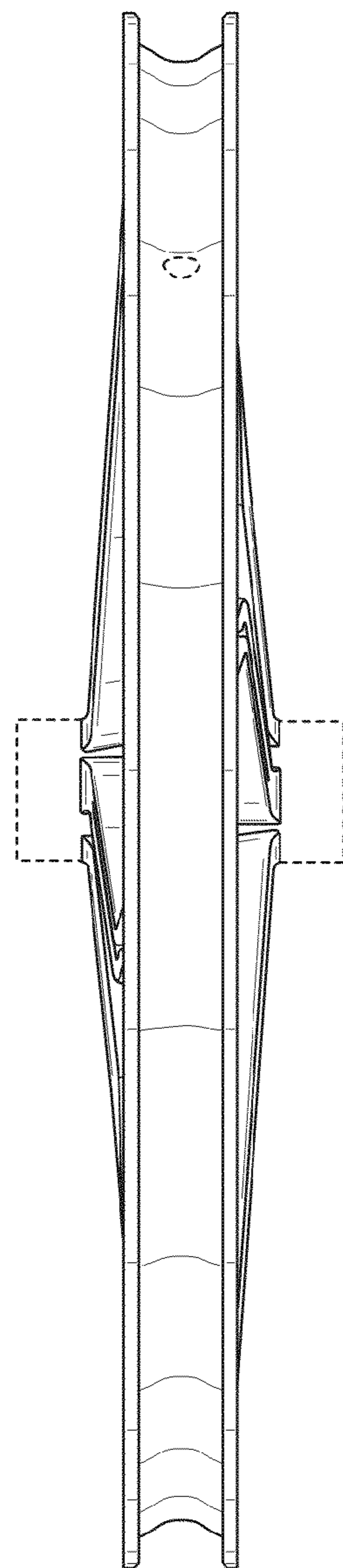


FIG. 12

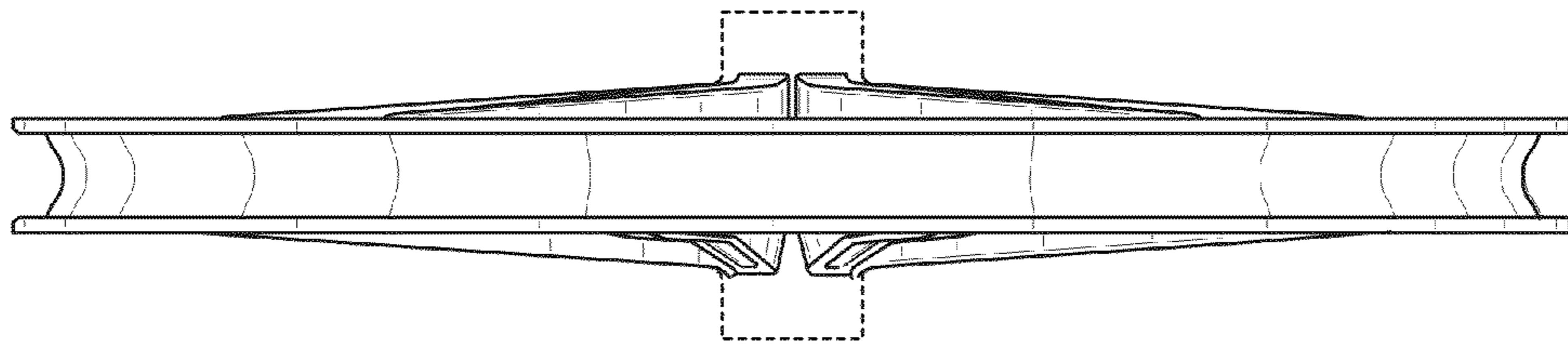


FIG. 13

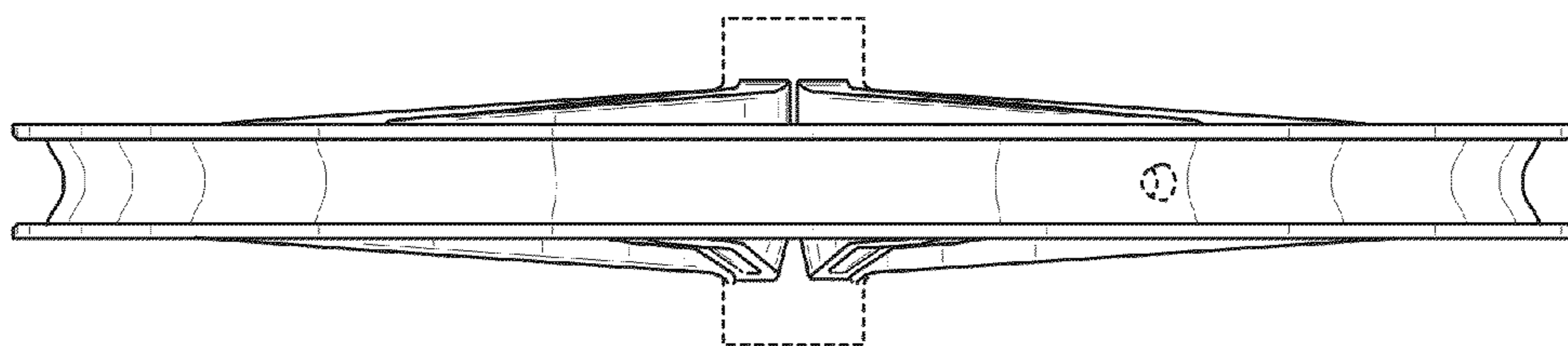


FIG. 14